

# *Shark*<sup>®</sup>

V2725QC

**OWNER'S GUIDE**  
**MANUEL DU PROPRIÉTAIRE**



[www.sharkclean.com](http://www.sharkclean.com)

# IMPORTANT SAFETY INSTRUCTIONS

## For Household Use Only

**READ ALL INSTRUCTIONS BEFORE USING YOUR SHARK® CORDLESS FLOOR AND CARPET SWEEPER.**

**WHEN USING YOUR SHARK CORDLESS FLOOR AND CARPET SWEEPER, BASIC SAFETY PRECAUTIONS SHOULD ALWAYS BE OBSERVED, INCLUDING THE FOLLOWING:**

**WARNING:** TO REDUCE THE RISK OF FIRE, ELECTRIC SHOCK OR INJURY:

- 1 Read and follow all label, operational and marking instructions.
- 2 Use **ONLY** as described in this manual. Use only manufacturer's recommended attachments.
- 3 **DO NOT** allow to be used as a toy. Close attention is necessary when used by or near children.
- 4 **DO NOT** use for any purpose other than described in this user's guide.
- 5 **DO NOT** use with damaged cord or plug. Do not use the cordless floor and carpet sweeper if it has been dropped, damaged, left outdoors, or dropped in water. Return it to EURO-PRO Operating LLC for examination, repair or adjustment.
- 6 **DO NOT** abuse the charger cord. Never carry the charger or base by the cord or yank to disconnect from an outlet; instead grasp the charger and pull to disconnect.
- 7 Keep the charger cord away from heated surfaces.
- 8 **DO NOT** use the charger with an extension cord. Plug the charger directly into an electrical outlet. Use charger only in a standard (120V., 60Hz.) electrical outlet.
- 9 **DO NOT** attempt to use the charger with any other product or attempt to charge this product with another charger. **Use only the charger model KA12D070025023U supplied with this cordless floor and carpet sweeper.**
- 10 **DO NOT** charge this unit outdoors.
- 11 **DO NOT** use outdoors or on wet surfaces.
- 12 **DO NOT** handle plug or appliance with wet hands.
- 13 Use only on dry, indoor surfaces.
- 14 **DO NOT** put any object into openings. Do not use with brush roll blocked; keep free of fiber, lint, hair and anything that may prevent the brush roll from working.
- 15 Keep hair, loose clothing, fingers and all parts of body away from openings and moving parts.
- 16 **DO NOT** pick up anything that is burning or smoking, such as cigarettes, matches or hot ashes.
- 17 **DO NOT** use to pick up flammable or combustible liquids such as gasoline or use in areas where they may be present.
- 18 **DO NOT** attempt to change accessories while the unit is running.
- 19 **DO NOT** use the cordless floor and carpet sweeper without the dust container in place.
- 20 Use extra care when cleaning on stairs.



- 21 Store the cordless floor and carpet sweeper indoors. Store after use to prevent accidents.
- 22 Leaks from battery cells can occur under extreme conditions. If the liquid, which is 20-35% solution of potassium hydroxide, gets on the skin - wash immediately with soap and water or neutralize with a mild acid such as lemon juice or vinegar. If the liquid gets into the eyes, flush them immediately with clean water for a minimum of 10 minutes and seek medical attention.
- 23 This product includes rechargeable nickel cadmium batteries. Batteries must be recycled or disposed of properly. Do not incinerate the batteries or expose to high temperatures as they may explode.
- 24 The cordless floor and carpet sweeper must be disconnected from the power supply when removing the battery.
- 25 To reduce the risk of electrical shock, do not put the charger and sweeper body in water or other liquid. Do not place or store the appliance where it can fall or be pulled into a tub or sink.

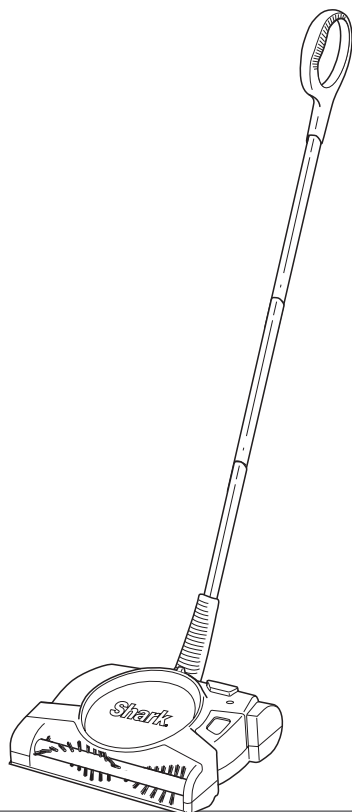
**TO MAXIMIZE THE LIFE OF YOUR  
NI-CD BATTERIES:**

- 1 Charge for 20 hours before initial use. Failure to do so will reduce the product's battery life significantly.
  - 2 After first use, discharge the unit fully and then recharge for 16 hours.
  - 3 For best battery performance, remove the charging adapter from the unit after the charging period has completed.
  - 4 **Do not store the unit with the charging adapter attached and plugged in.**
  - 5 For maximum battery life, only recharge the unit when the batteries are close to fully discharged. It is best to fully discharge the batteries at least once a month.
  - 6 **DO NOT** store in areas of high temperature or humidity.
  - 7 After 3 months of non-use, the product should be fully discharged and then recharged to maximize battery power.
  - 8 Ni-Cd batteries have a long useful life but at some time they will need to be replaced. To purchase replacement batteries, visit [www.sharkclean.com](http://www.sharkclean.com).
- ⚠ NOTE:** The power button must be in the "Off" position in order to charge the unit. If the charging indicator does not light, press the power button once.

# SAVE THESE INSTRUCTIONS

Thank you  
for purchasing  
the Shark®  
Cordless  
Floor and Carpet  
Sweeper

|   |    |
|---|----|
| Quick Start                                   | 5  |
| Assembly                                      | 6  |
| Charging Your Cordless Floor & Carpet Sweeper | 7  |
| Using Your Cordless Floor & Carpet Sweeper    | 7  |
| Emptying the Dust Container                   | 8  |
| Maintenance                                   | 9  |
| Troubleshooting Guide                         | 10 |
| Ordering Replacement Parts                    | 10 |
| Warranty and Registration                     | 11 |



**IMPORTANT:** Before you can start using your new cordless floor and carpet sweeper, charge it for 20 hours.

**NOTE:** The charging adapter will be shipped inside the packaging.

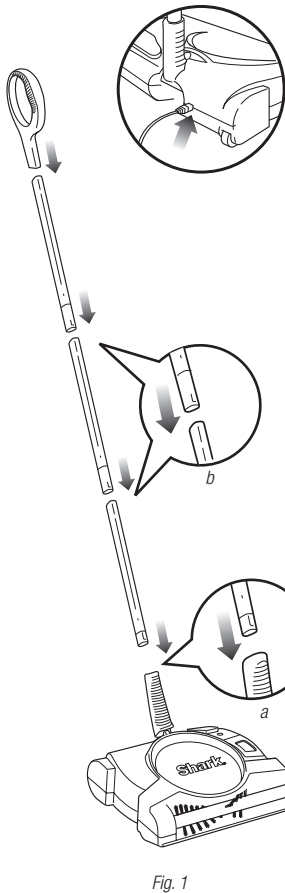


Fig. 1



Fig. 2

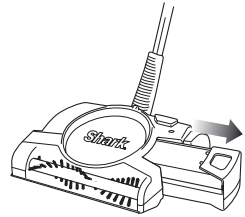


Fig. 4

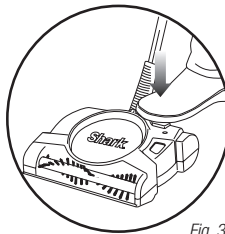


Fig. 3

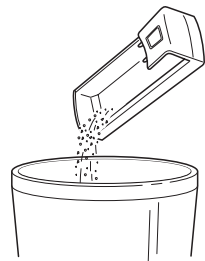


Fig. 5

## ASSEMBLE

- 1 Insert the lower handle extension tube (the shortest of the three tubes) into the lower handle (a). Then assemble the other two extension tubes and insert the assembly into the lower handle extension tube (b). Now attach the upper handle to the top extension tube. (Fig. 1)

## CLEAN

- 2 Pull back on the handle and press lightly on the body of the unit with your foot to engage the steering. (Fig. 2)
- 3 Using your foot, press the power button and push the unit forward over the surface you wish to clean. (Fig. 3)

## EMPTY

- 4 When you're finished cleaning, pull the dust container straight out from the side. (Fig. 4)
- ⚠ NOTE:** Be careful not to accidentally turn the unit on.
- 5 Empty dust container contents. (Fig. 5) If desired, you may rinse with water to clean the dust container - but dry thoroughly before replacing. When finished, replace the dust container.

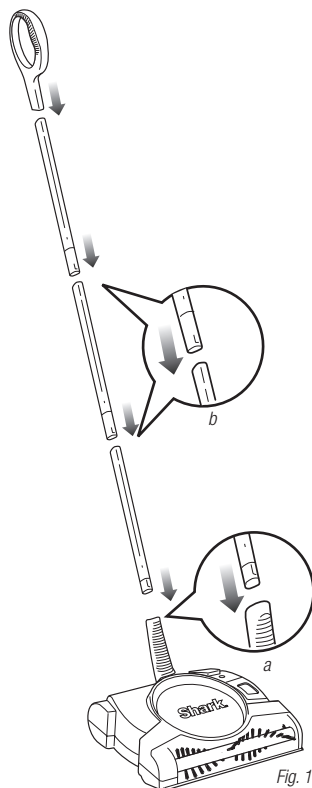
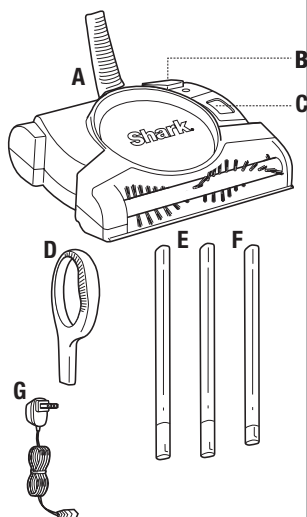


Fig. 1

## COMPONENTS:

- A** Main Unit
- B** Power Button
- C** Dust Container
- D** Upper Handle
- E** Extension Tubes (x2)
- F** Lower Handle Extension Tube
- G** Charging Adapter

**Model Number:** V2725QC 32

**Voltage:** 4.8 V

## ASSEMBLY OF YOUR FLOOR AND CARPET SWEEPER:

- ⚠ **NOTE:** The charging adapter will be shipped inside the packaging.
- ⚠ **IMPORTANT:** Charge the batteries for 20 hours before using the unit for the first time. See page 7 for instructions on charging your unit.

- 1** Insert the lower handle extension tube (the shortest of the three tubes) into the lower handle (a). Then assemble the other two extension tubes and insert the assembly into the lower handle extension tube (b). Now attach the upper handle to the top extension tube. (Fig. 1)

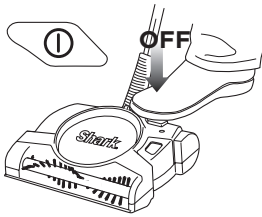


Fig. 2

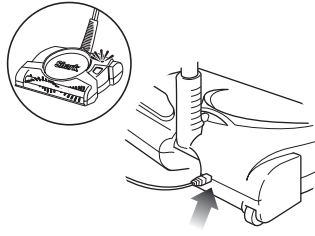


Fig. 3

- 1 Always make sure that the unit is turned off. (Fig. 2)
- 2 Insert the charger plug into the hole on the back of the unit. Plug the charger into a wall outlet. The light next to the power button will illuminate when the unit is charging. If the unit is plugged in and the light is not illuminated, press the power button once. The light should now be illuminated indicating that the unit is charging. (Fig. 3)
- 3 Charge the battery for 20 hours before initial use and 16 hours for each recharge. Your cordless floor and carpet sweeper is powered by Ni-Cd batteries that need this time to build up their charge.
- 4 For best battery performance, remove the charging adapter from the unit after the charging period has completed. **Storing the unit with the adapter attached and plugged in will reduce the battery life.**

**⚠ IMPORTANT:** Although many adapters look similar, it's important to use only the adapter that came with the unit (XA2725).

## USING YOUR CORDLESS FLOOR AND CARPET SWEEPER

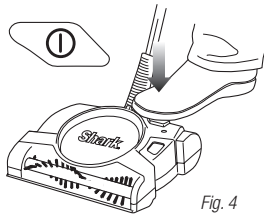


Fig. 4

- 1 Press the power button to start the unit. When finished cleaning, press the power button again to turn the unit off. (Fig. 4)
- 2 Do not use the unit to pick up liquids or clean wet floors.
- 3 Do not use the unit on concrete, tar or other rough surfaces.
- 4 Do not use the unit to pick up pieces of string or fabrics. Do not use the unit to clean tasseled or frayed carpets.

## EMPTYING THE DUST CONTAINER

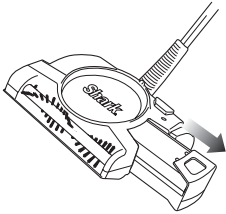


Fig. 5



Fig. 6

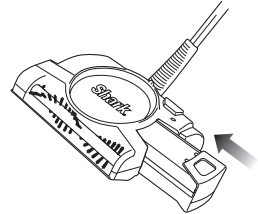


Fig. 7

- 1** To achieve the best performance, empty the dust container after each use. Pull the dust container straight out from the side. **(Fig. 5)**
  - 2** Empty dust container contents. **(Fig. 6)** If desired, you may rinse with water to clean the dust container - but dry thoroughly before replacing.
  - 3** Re-insert the dust container into the unit. **(Fig. 7)**
- ⚠ NOTE:** Be careful not to accidentally turn the unit on.



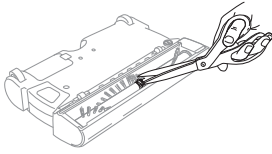


Fig. 8

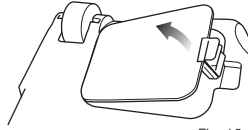


Fig. 10

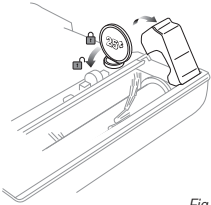


Fig. 9

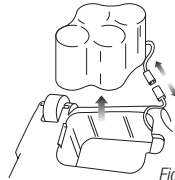


Fig. 11

**⚠ CAUTION:** Do not clean the unit while it is charging.

- 1** Once a month, wipe down the unit with a dry cloth, including the area under the dust container. Wipe away any hair, fiber or other dirt that may have built up in the chamber and on the rotating brush. Do not use any harsh cleaner or chemicals.
- 2** Do not immerse the unit in water.

**CLEANING THE ROTATING BRUSH**

- 1** Pull the dust container straight out from the side of the unit to remove. (Fig. 5)
- 2** Turn the unit upside down. **Be careful not to accidentally turn the unit on!**
- 3** Remove all hair, string or fibers wrapped around the brush bar. Using a pair of scissors, carefully cut along the raised guide to remove anything wound around the brush bar. Avoid damaging or cutting the bristles. (Fig. 8)

- 4** Use a coin to remove the trap door if you need to remove the brush roll to either clean it or replace it. (Fig. 9)

**REMOVING AND REPLACING THE BATTERY**

**⚠ NOTE:** If uncertain as to how to remove your battery pack, we suggest you take the unit to a reputable small appliance service technician to have this service performed.

- 1** Pull the dust container straight out from the side of the unit to remove. (Fig. 5)
- 2** Turn the unit upside down. **Be careful not to accidentally turn the unit on!**
- 3** Push in the locking tab and lift off the battery compartment cover. (Fig. 10)
- 4** Carefully lift out the battery pack and disconnect the wire terminals by pressing on the latch and pulling apart the wire terminal connectors. Remove the battery pack. (Fig. 11)

- 5** Connect the wire terminal from the unit to the wire terminal connector of the new battery pack and replace the battery pack into the unit. Replace the battery compartment cover.

- 6** Follow the instructions on page 7 to charge your new battery pack. Please call customer service at 1-800-798-7398 if you have any problems removing the battery pack.

**⚠ IMPORTANT** This appliance contains Ni-Cd batteries. The batteries must be recycled or disposed of in accordance with local regulations. Please consult your Yellow Pages or local recycling center for more information.

**⚠ WARNING:** Never use ordinary batteries for replacement as these may leak and cause damage. Use only battery pack **XB2725Q** for replacement.



**Ni-Cd BATTERY  
MUST BE RECYCLED  
OR DISPOSED OF  
PROPERLY**

## TROUBLESHOOTING GUIDE

| PROBLEM                             | POSSIBLE REASONS AND SUGGESTED SOLUTION  |
|-------------------------------------|--|
| The unit will not operate           | Batteries need to be recharged.<br>Batteries are dead and need to be replaced.<br>There is no power in the electrical outlet supplying the charging adapter.<br>Try to charge using a different outlet.<br>Ensure the wire terminal connectors on the battery pack are securely attached.<br>If the unit still doesn't work, call Customer Service at <b>1-800-798-7398</b> .                          |
| The unit will not pick up           | Empty the dust container.<br>Recharge the battery.   |
| Dust is escaping from the unit      | Empty the dust container.<br>Ensure that the dust container is properly in place.  |
| The rotating brush will not pick up | Check for and remove any excessive material on the brush roll or in the bottom of the unit.<br>Empty the dust container.   |
| The unit will not charge            | Press the power button once to turn the unit "OFF".<br>There is no power in the electrical outlet supplying the charging adapter.<br>Try to charge using a different outlet.<br>Ensure the wire terminal connectors on the battery pack are securely attached.<br>Charging adapter may not be working. Call Customer Service at <b>1-800-798-7398</b> .<br>Batteries are dead and need to be replaced. |

## ORDERING REPLACEMENT PARTS

### REPLACEMENT PARTS

- A** XB2725Q Battery Pack
- B** XA2725 AC Adapter
- C** 1124FK-2725 Brush Bar Replacement Kit

To order any of the above replacement parts, go to [www.sharkclean.com](http://www.sharkclean.com) or call **1-800-798-7398**.



**EURO-PRO ONE-YEAR (1) LIMITED WARRANTY**

**EURO-PRO Operating LLC** warrants this product to be free from material defects and workmanship for a period of one (1) year from the date of purchase when utilized for normal household use, subject to the following conditions, exclusions and exceptions.

The liability of **EURO-PRO Operating LLC** is limited solely to the cost of the repair or replacement of the unit at our option. This Limited Warranty does not cover normal wear of parts and does not apply to any unit that has been tampered with or used for commercial purposes. This Limited Warranty does not cover damage caused by misuse, abuse, negligent handling or damage due to faulty packaging or mishandling in transit. This Limited Warranty does not cover damage or defects caused by or resulting from damages from shipping or repairs, service or alteration to the product or any of its parts, which have been performed by a repair person not authorized by **EURO-PRO Operating LLC**.

If your appliance fails to operate properly while in use under normal household conditions within the warranty period, you may return the complete appliance and accessories with proof of purchase and date, freight prepaid. For customer service support, call 1-800-798-7398 or visit our website at [www.sharkclean.com](http://www.sharkclean.com).

If the appliance is found by **EURO-PRO Operating LLC** to be defective, in **EURO-PRO Operating LLC's** sole discretion, we will repair or replace it free of charge. Proof of purchase date and a check made payable to **EURO-PRO Operating LLC** in the amount of \$19.95 to cover the cost of return shipping and handling must be included.\*

Non-durable parts including, without limitation, filters, brushes and electrical parts which normally require replacement are specifically excluded from warranty.

This Limited Warranty is extended to the original purchaser of the unit and excludes all other legal, implied and/or conventional warranties. The responsibility of **EURO-PRO Operating LLC** if any, is limited to the specific obligations expressly assumed by it under the terms of this Limited Warranty. **In no event is EURO-PRO Operating LLC** liable for incidental or consequential damages to anyone of any nature whatsoever. Some states do not permit the exclusion or limitation of incidental or consequential damages, so the above may not apply to you.

This Limited Warranty gives you specific legal rights, and you may also have other rights which vary from state to state or province to province.

**\*IMPORTANT: Carefully pack item to avoid damage in shipping. Be sure to include proof of purchase date and to attach a tag to item before packing including your name, complete address and phone number with a note giving purchase information, model number and what you believe is the problem with the item. We recommend you insure the package (as damage in shipping is not covered by your warranty). Mark the outside of your package "ATTENTION CUSTOMER SERVICE". We are constantly striving to improve our products, therefore the specifications contained herein are subject to change without notice.**

**PRODUCT REGISTRATION**

Please visit [www.sharkclean.com](http://www.sharkclean.com) or call **1-800-798-7398** to register your new Shark® product within ten (10) days of purchase. You will be asked to provide the store name, date of purchase and model number along with your name and address.

The registration will enable us to contact you in the unlikely event of a product safety notification. By registering you acknowledge to have read and understood the instructions for use, and warnings set forth in the accompanying instructions.

# MESURES DE SÉCURITÉ IMPORTANTES

## Pour usage domestique seulement

LISEZ TOUTES LES INSTRUCTIONS AVANT D'UTILISER VOTRE ASPIRATEUR SHARK<sup>MD</sup> SANS FIL POUR TAPIS ET PLANCHER.

LORS DE L'UTILISATION DE VOTRE ASPIRATEUR SHARK SANS FIL POUR TAPIS ET PLANCHER, IL FAUT RESPECTER DES PRÉCAUTIONS DE SÉCURITÉ ÉLÉMENTAIRES, DONT LES SUIVANTES :

### AVERTISSEMENT : POUR RÉDUIRE LES RISQUES D'INCENDIE, DE CHOC ÉLECTRIQUE OU DE BLESSURE :

- 1 Lisez et suivez les consignes d'utilisation figurant sur toute étiquette ou inscription.
- 2 Utilisez l'appareil **UNIQUEMENT** de la façon décrite dans ce manuel. N'utilisez que les accessoires recommandés par le fabricant.
- 3 **Cet appareil n'est pas un jouet; il NE DOIT PAS** être utilisé pour jouer. Une surveillance étroite est nécessaire lorsque l'appareil est utilisé par un enfant ou à proximité d'un enfant.
- 4 **NE PAS** utiliser cet appareil pour un usage autre que ceux décrits dans ce guide.
- 5 **NE PAS** utiliser l'appareil si la fiche ou le cordon est endommagé. N'utilisez pas l'aspirateur sans fil pour tapis et plancher s'il a été échappé, endommagé, rangé à l'extérieur ou immergé dans l'eau. Retournez l'appareil à EURO-PRO Operating LLC pour vérification, réparation ou réglage.
- 6 **PRENDRE SOIN** du cordon du chargeur. Ne transportez jamais le chargeur ou sa base en les tenant par le cordon. Ne les débranchez jamais de l'alimentation électrique en tirant sur le cordon. Agrippez plutôt le chargeur et tirez dessus pour le débrancher.
- 7 Éloignez le cordon du chargeur de toute surface chauffée.
- 8 **NE PAS** utiliser une rallonge avec le chargeur. Branchez le chargeur directement dans une prise électrique. Ne branchez le chargeur que dans une prise électrique standard de 120 V, 60 Hz.
- 9 **NE PAS** utiliser le chargeur avec un autre produit et ne pas charger cet appareil avec un autre chargeur. **Utilisez uniquement le modèle de chargeur KA12D070025023U fourni avec cet aspirateur sans fil pour tapis et plancher.**
- 10 **NE PAS** charger cet appareil à l'extérieur.
- 11 **NE PAS** utiliser l'appareil à l'extérieur ou sur des surfaces mouillées.
- 12 **NE PAS** manipuler la fiche ou l'appareil si les mains sont mouillées.
- 13 Utilisez l'appareil uniquement à l'intérieur, sur des surfaces sèches.
- 14 **NE PAS** pénétrer des objets dans les ouvertures. N'utilisez pas l'appareil si le rouleau de la brosse est bloqué; assurez-vous que le rouleau est exempt de fibres, de peluche et de cheveux qui pourraient l'empêcher de fonctionner.
- 15 Éloigner les cheveux, les vêtements amples, les doigts et toute partie du corps des ouvertures et des pièces mobiles.
- 16 **NE PAS** aspirer d'objets brûlants ou fumants tels que des cigarettes, des allumettes ou de la cendre.
- 17 **NE PAS** utiliser l'aspirateur pour aspirer des liquides inflammables ou combustibles tels que le carburant; ne pas utiliser l'appareil dans des endroits où de tels liquides sont présents.
- 18 **NE PAS** tenter de changer d'accessoire pendant que l'appareil est en marche.

- 19 NE PAS** utiliser l'aspirateur sans fil pour tapis et plancher sans son réservoir à poussière en place.
- 20** Soyez très prudent lors du nettoyage d'un escalier.
- 21** Rangez l'aspirateur sans fil pour tapis et plancher à l'intérieur. Rangez-le après l'avoir utilisé afin d'éviter les accidents.
- 22** Une fuite des éléments de la pile pourrait survenir lors de conditions extrêmes. Si ce liquide composite de 20 à 35 % d'une solution d'hydroxyde de potassium touche votre peau, lavez-vous immédiatement avec de l'eau et du savon ou neutralisez la zone touchée avec un acide doux, comme du jus de citron ou du vinaigre. Si le liquide pénètre vos yeux, rincez-les immédiatement à l'eau propre pendant au moins dix minutes et obtenez des soins médicaux.
- 23** Cet appareil comprend des piles rechargeables au cadmium-nickel. Les piles doivent être recyclées ou éliminées correctement. N'incinerez pas les piles et ne les exposez pas à des températures élevées, car elles pourraient exploser.
- 24** L'aspirateur sans fil pour tapis et plancher doit être débranché de l'alimentation électrique avant le retrait de la pile.
- 25** Pour séduire le risque d'électrocution, n'immergez pas le chargeur ni l'aspirateur dans l'eau ou dans un autre liquide. Ne rangez pas et n'entreposez pas l'appareil dans un endroit où il pourrait tomber ou glisser dans le bain ou un évier.

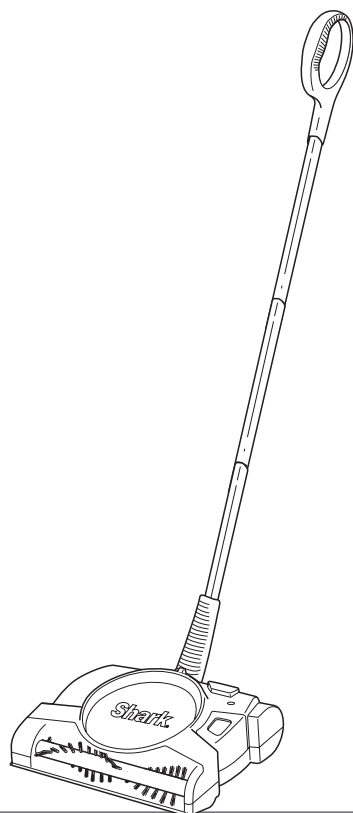
### **POUR PROLONGER LA DURÉE DE VIE DE VOS PILES NI-CAD :**

- 1** Chargez l'appareil pendant 20 heures avant la première utilisation. Sinon, vous réduirez la durée de vie des piles de façon importante.
  - 2** Après la première utilisation, déchargez entièrement l'appareil, puis rechargez-le pendant 16 heures.
  - 3** Pour obtenir le meilleur rendement de votre bloc-piles, retirez l'adaptateur de chargement de l'appareil lorsque le chargement est complété.
  - 4 Ne rangez pas l'appareil avec son adaptateur de charge attaché et branché.**
  - 5** Pour optimiser la durée de vie de la pile, rechargez l'appareil uniquement lorsque le bloc-piles est presque entièrement déchargé. Il est recommandé de décharger entièrement les piles au moins une fois par mois.
  - 6 NE PAS** ranger l'appareil dans un endroit humide ou à température élevée.
  - 7** Après une période de trois mois sans utilisation, l'appareil doit être entièrement déchargé et rechargé afin d'optimiser la puissance des piles.
  - 8** Les piles Ni-Cd ont une longue durée de vie utile. Cependant, il arrive qu'elles doivent être remplacées. Pour acheter des piles de recharge, visitez le site Web [www.sharkclean.com](http://www.sharkclean.com).
- ⚠ REMARQUE :** L'interrupteur marche/arrêt doit être à « Off » pour charger l'appareil. Si le témoin de charge ne s'allume pas, appuyez une fois sur l'interrupteur.

# CONSERVEZ CES INSTRUCTIONS

Merci d'avoir  
acheté  
l'aspirateur  
Shark<sup>MD</sup> sans  
fil pour tapis et  
plancher.

|   |    |
|---|----|
| Démarrage rapide  | 15 |
| Assemblage  | 16 |
| Charge de votre aspirateur sans fil pour tapis et plancher      | 17 |
| Utilisation de votre aspirateur sans fil pour tapis et plancher | 17 |
| Vidange du réservoir à poussière                                | 18 |
| Entretien   | 19 |
| Guide de dépannage  | 20 |
| Commande de pièces de rechange                                  | 20 |
| Garantie et enregistrement                                      | 21 |



**IMPORTANT :** Avant d'utiliser votre nouvel aspirateur sans fil pour tapis et plancher pour la première fois, veuillez le charger pendant 20 heures.

**REMARQUE :** L'adaptateur de charge est à l'intérieur de l'emballage.

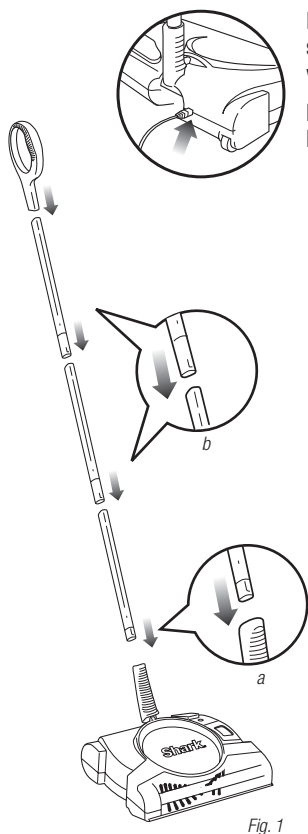


Fig. 1

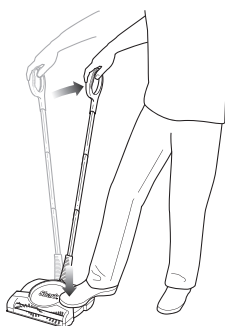


Fig. 2

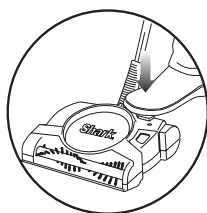


Fig. 3

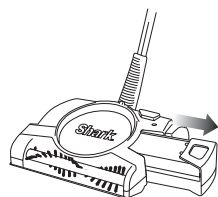


Fig. 4

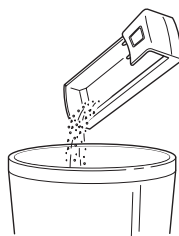


Fig. 5

## ASSEMBLAGE

**1** Insérez le tube de rallonge de la poignée inférieure (le plus court des trois tubes) dans la poignée inférieure (a). Assemblez ensuite les deux tubes de rallonge et insérez-les dans le tube de rallonge de la poignée inférieure (b). Fixez ensuite la poignée supérieure au tube de rallonge supérieur. (Fig. 1)

## NETTOYAGE

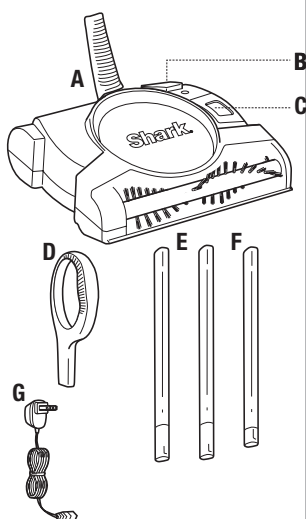
- 2** Tirez la poignée vers l'arrière et appuyez légèrement sur le boîtier de l'appareil avec votre pied afin d'engager le mécanisme de manœuvre. (Fig. 2)
- 3** À l'aide de votre pied, enfoncez l'interrupteur marche/arrêt et poussez l'aspirateur vers la surface à nettoyer. (Fig. 3)

## VIDANGE

**4** Lorsque vous avez terminé votre tâche ménagère, retirez le réservoir à poussière directement par le côté de l'appareil. (Fig. 4)

**⚠ REMARQUE :** Prenez soin de ne pas mettre l'appareil en marche.

**5** Videz le réservoir à poussière. (Fig. 5) Si vous le désirez, vous pouvez rincer le réservoir à l'eau afin de le nettoyer. Assurez-vous cependant qu'il soit entièrement sec avant de le remettre dans l'aspirateur. Lorsque cela est terminé, remettez le réservoir dans l'aspirateur.



## COMPOSANTS :

- A** Appareil
- B** Interrupteur marche/arrêt
- C** Réservoir à poussière
- D** Poignée supérieure
- E** Tubes de rallonge (x2)
- F** Tube de rallonge de la poignée inférieure
- G** Adaptateur de charge

Numéro de modèle : V2725QC 32

Tension : 4.8 V

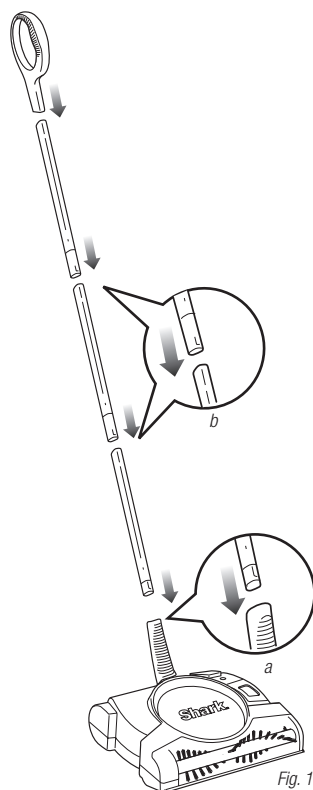


Fig. 1

## ASSEMBLAGE DE L'ASPIRATEUR SANS FIL POUR TAPIS ET PLANCHER :

**REMARQUE :** L'adaptateur de charge est à l'intérieur de l'emballage.

**IMPORTANT :** Chargez les piles pendant 20 heures avant d'utiliser l'appareil pour la première fois. Consultez la page 17 pour les instructions de charge de l'appareil.

- 1** Insérez le tube de rallonge de la poignée inférieure (le plus court des trois tubes) dans la poignée inférieure (a). Assemblez ensuite les deux tubes de rallonge et insérez-les dans le tube de rallonge de la poignée inférieure (b). Fixez ensuite la poignée supérieure au tube de rallonge supérieur. (Fig. 1)



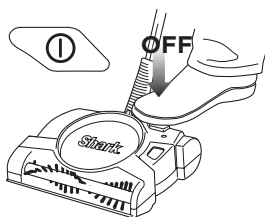


Fig. 2

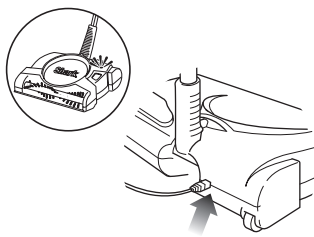


Fig. 3

- 1 Assurez-vous toujours que l'appareil est hors tension. (Fig. 2)
- 2 Insérez la prise du chargeur dans l'orifice à l'arrière de l'appareil. Branchez le chargeur à une prise électrique. Le témoin près de l'interrupteur marche/arrêt s'allume lorsque la charge de l'appareil est en cours. Si l'appareil est branché et que le témoin est éteint, appuyez l'interrupteur marche/arrêt une fois. Le témoin devrait maintenant être allumé, indiquant que la charge de l'appareil est en cours. (Fig. 3)
- 3 Chargez la pile pendant 20 heures avant d'utiliser l'appareil pour la première fois; chaque période de recharge subséquente dure 16 heures. Votre aspirateur sans fil pour tapis et plancher est alimenté par des piles Ni-Cd, qui doivent être chargées pendant ce temps.
- 4 Pour obtenir le meilleur rendement de votre bloc-piles, retirez l'adaptateur de chargement de l'appareil lorsque le chargement est complété. **Le fait de ranger l'appareil avec l'adaptateur attaché et branché réduira la durée de vie de la pile.**

**! IMPORTANT :** Bien que plusieurs adaptateurs semblent similaires, il importe d'utiliser uniquement l'adaptateur fourni avec l'appareil (XA2725).

## UTILISATION DE L'ASPIRATEUR SANS FIL POUR TAPIS ET PLANCHER

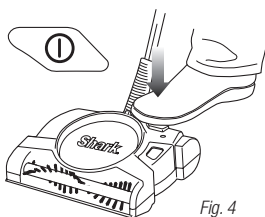


Fig. 4

- 1 Appuyez sur l'interrupteur marche/arrêt pour démarrer l'appareil. Appuyez sur l'interrupteur marche/arrêt pour éteindre l'appareil (« OFF »). (Fig. 4)
- 2 N'utilisez pas l'appareil pour aspirer des liquides ni pour nettoyer des planchers mouillés.
- 3 N'utilisez pas l'appareil sur le ciment, le goudron ou d'autres surfaces rugueuses.
- 4 N'utilisez pas l'appareil pour aspirer des morceaux de tissu et des ficelles. N'utilisez pas l'aspirateur pour nettoyer des tapis effilochés ou ornés de franges.

## VIDANGE DU RÉSERVOIR À POUSSIÈRE



Fig. 5

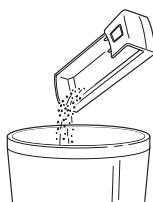


Fig. 6

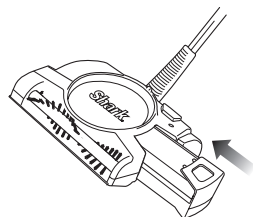


Fig. 7

- 1** Afin d'obtenir un rendement supérieur, videz le réservoir à poussière après chaque utilisation. Retirez le réservoir à poussière directement par le côté de l'appareil. (Fig. 5)
  - 2** Videz le réservoir à poussière. (Fig. 6) Si vous le désirez, vous pouvez rincer le réservoir à l'eau afin de le nettoyer. Assurez-vous cependant qu'il soit entièrement sec avant de le remettre dans l'aspirateur.
  - 3** Remettez le réservoir dans l'aspirateur. (Fig. 7)
- ! REMARQUE : Prenez soin de ne pas mettre l'appareil en marche.**

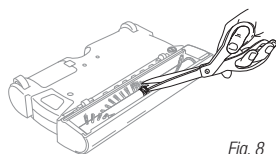


Fig. 8

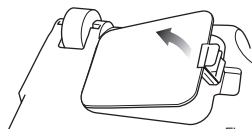


Fig. 10

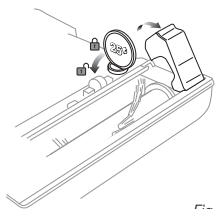


Fig. 9

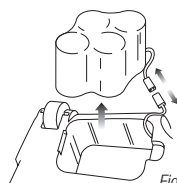


Fig. 11

**⚠ MISE EN GARDE :** Ne nettoyez pas l'appareil pendant qu'il se charge.

- 1 Une fois par mois, essuyez l'appareil avec un linge doux, y compris le dessous du réservoir à poussière. Retirez tout cheveu ainsi que toute fibre ou autre saleté ayant pu s'accumuler dans le réceptacle ou sur la brosse rotative. N'utilisez pas de produits chimiques ni de nettoyants puissants.
- 2 N'immergez pas cet appareil dans l'eau.

### NETTOYAGE DE LA BROSSSE ROTATIVE

- 1 Retirez le réservoir à poussière en tirant dessus, directement par le côté de l'appareil. (Fig. 5)
- 2 Retournez l'appareil, de manière à ce qu'il soit à l'envers. **Prenez soin de ne pas mettre l'appareil en marche!**
- 3 Enlevez les ficelles, les fibres et les cheveux enroulés autour du rouleau de la brosse. À l'aide de ciseaux, coupez soigneusement le long du guide surélevé afin de retirer tout objet enroulé autour du rouleau de la brosse. Évitez de couper et d'endommager les soies de la brosse. (Fig. 8)

- 4 Utilisez une pièce de monnaie pour enlever le couvercle d'accès du rouleau afin de retirer celui-ci pour le nettoyer ou le remplacer. (Fig. 9)

### RETIRER ET REMPLACER LA PILE

**⚠ REMARQUE :** Si vous n'êtes pas certain de la façon de retirer votre bloc-piles, nous vous suggérons d'apporter votre aspirateur à un technicien de petits appareils électriques réputé afin qu'il le fasse pour vous.

- 1 Retirez le réservoir à poussière en tirant dessus, directement par le côté de l'appareil. (Fig. 5)
- 2 Retournez l'appareil, de manière à ce qu'il soit à l'envers. **Prenez soin de ne pas mettre l'appareil en marche!**
- 3 Enfoncez sur l'onglet de verrouillage et retirez le couvercle du compartiment à piles. (Fig. 10)
- 4 Soulevez doucement le bloc-piles et débranchez les bornes en tirant sur les câbles des bornes. Retirez le bloc-pile. (Fig. 11)

- 5 Branchez le câble de la borne de l'appareil au câble de la borne du nouveau bloc-pile. Remplacez le bloc-piles dans l'appareil. Remettez le couvercle du compartiment à piles.
- 6 Suivez les instructions à la page 17 pour charger le nouveau bloc-piles. Si vous éprouvez des problèmes lors du retrait du bloc-piles, veuillez appeler le Service à la clientèle au 1-800-798-7398.

**⚠ IMPORTANT :** Cet appareil contient un bloc-piles Ni-Cd. Les piles doivent être recyclées ou éliminées correctement selon la réglementation locale. Veuillez consulter les Pages jaunes ou votre centre de recyclage local pour plus de renseignements.

**⚠ AVERTISSEMENT :** N'utilisez jamais de piles ordinaires en remplacement : elles pourraient couler et endommager l'appareil. Utilisez uniquement le bloc-piles de rechange **XB2725Q**.



**LA PILE Ni-Cd DOIT ÊTRE RECYCLÉE OU ÉLIMINÉE CORRECTEMENT**

| PROBLÈME                             | RAISONS POSSIBLES ET SOLUTION SUGGÉRÉE  |
|--------------------------------------|---|
| L'appareil ne fonctionne pas         | <p>Il faut recharger les piles.</p> <p>Les piles sont usées; il faut les remplacer.</p> <p>La prise alimentant l'adaptateur de charge ne fonctionne pas. Tentez de charger l'appareil en le branchant dans une autre prise électrique.</p> <p>Vérifiez que les câbles des bornes sont bien fixés au bloc-piles.</p> <p>Si l'appareil ne fonctionne toujours pas, communiquez avec le service à la clientèle au <b>1-800-798-7398</b>.</p>   |
| L'appareil n'aspire pas              | <p>Videz le réservoir à poussière.</p> <p>Recharger la pile.</p>  |
| La poussière s'échappe de l'appareil | <p>Videz le réservoir à poussière.</p> <p>Assurez-vous que le réservoir à poussière est bien logé en place.</p>   |
| La brosse rotative ne ramasse pas    | <p>Retirez toute accumulation de débris sur le rouleau de la brosse dans la partie inférieure de l'appareil.</p> <p>Videz le réservoir à poussière.</p>   |
| L'appareil ne se recharge pas        | <p>Appuyez sur le bouton d'alimentation pour éteindre l'appareil (« OFF »).</p> <p>La prise alimentant l'adaptateur de charge ne fonctionne pas. Tentez de charger l'appareil en le branchant dans une autre prise électrique.</p> <p>Vérifiez que les câbles des bornes sont bien fixés au bloc-piles.</p> <p>Il est possible que l'adaptateur de charge ne fonctionne pas. Communiquez avec le service à la clientèle au <b>1-800-798-7398</b>.</p> <p>Les piles sont usées; il faut les remplacer.</p> |

## COMMANDER DES PIÈCES DE RECHANGE

### PIÈCES DE RECHANGE

- A** XB2725Q Bloc-piles
- B** XA2725 Adaptateur c.a.
- C** 1124FK-2725 Trousse de rouleau de brosse de rechange

Pour commander l'une de ces pièces de rechange, visitez le site [www.sharkclean.com](http://www.sharkclean.com) ou appelez le numéro suivant : **1-800-798-7398**.

**GARANTIE LIMITÉE D'UN (1) AN**

**EURO-PRO Operating LLC** garantit ce produit contre toute défectuosité de matériel ou de main-d'œuvre pour une période d'un (1) an à compter de la date d'achat lors d'utilisation dans le cadre d'un usage domestique normal, sujet aux conditions, exclusions et exceptions suivantes.

La responsabilité d'**EURO-PRO Operating LLC** se limite au coût des réparations ou du remplacement de l'appareil, à sa discrétion. Cette garantie limitée ne couvre pas l'usure normale des pièces et ne s'applique pas aux appareils ayant été altérés ou utilisés à des fins commerciales. Cette garantie limitée ne couvre pas les dommages causés par une mauvaise utilisation, l'abus, la négligence lors de la manipulation, un emballage inadéquat ou la mauvaise manipulation en transit. Cette garantie limitée ne couvre pas les dommages ou défauts causés par ou résultant du transport, des réparations, ou de l'entretien ni de l'altération du produit ou à ses pièces, effectué par un réparateur non autorisé par **EURO-PRO Operating LLC**.

Si votre appareil ne fonctionne pas correctement dans des conditions d'utilisation domestiques normales, et durant la période de garantie, vous pouvez retourner l'appareil et les accessoires avec la preuve d'achat et la date d'achat par fret payé. Pour le service à la clientèle, appelez le **1-800-798-7398** ou visitez notre site Web au **www.euro-pro.com**.

S'il s'avérait que l'appareil soit déclaré, par **EURO-PRO Operating LLC**, défectueux, **EURO-PRO** le réparera ou le remplacera sans frais, à sa discrétion. Une preuve d'achat incluant la date ainsi qu'un chèque au nom d'**EURO-PRO Operating LLC** au montant de 19,95 \$ pour couvrir les frais d'expédition de retour et la manutention, doivent être inclus. \*

Les pièces non durables, y compris, sans s'y limiter, les filtres, brosses et composants électriques exigeant normalement d'être remplacés, sont exclues de la garantie.

Cette garantie limitée s'applique à l'acheteur original de l'appareil et exclut toutes les autres garanties juridiques, implicites et/ou conventionnelles. La responsabilité d'**EURO-PRO Operating LLC**, s'il y en a une, se limite aux obligations spécifiques exprimées sous les termes de cette garantie limitée. En aucun cas, **EURO-PRO Operating LLC** ne peut être tenu responsable d'incidents ou dommages indirects à quiconque et de toute nature que ce soit. Certains états ou provinces n'autorisent pas l'exclusion ou la limitation de dommages circonstanciels ou conséquents, dans ce cas cette disposition ne s'appliquerait pas.

La garantie limitée vous confère des droits précis auxquels peuvent s'ajouter d'autres droits variant d'un État à l'autre ou d'une province à l'autre.

**\*IMPORTANT : Emballez soigneusement l'appareil pour éviter tout dommage lors du transport. Assurez-vous que la preuve d'achat soit incluse et qu'une étiquette indiquant votre nom, adresse complète et numéro de téléphone, ainsi qu'une note avec les renseignements sur l'achat, le numéro de modèle et le problème, soient attachées à l'appareil. Nous vous recommandons d'assurer votre colis (puisque les dommages lors du transport ne sont pas couverts par la garantie limitée). Indiquez sur l'extérieur de votre colis « ATTENTION SERVICE À LA CLIENTÈLE ». Nous travaillons sans relâche afin d'améliorer nos produits et, de ce fait, les spécifications décrites dans ce guide sont sujettes à des changements sans préavis.**

**ENREGISTREMENT DU PRODUIT**

Veillez visiter [www.sharkclean.com](http://www.sharkclean.com) ou composer le **1-800-798-7398** pour enregistrer votre nouveau produit **Shark<sup>MD</sup>** dans les dix (10) jours suivant l'achat. On vous demandera de fournir le nom du détaillant, la date d'achat et le numéro de modèle, en plus de votre nom et de votre adresse.

L'enregistrement nous permettra de communiquer avec vous en cas d'avis sur la sécurité du produit. En vous enregistrant, vous convenez avoir lu et compris les instructions d'utilisation, ainsi que les mises en garde et les avertissements qui les accompagnent.





# Shark®

Copyright © 2013 Euro-Pro Operating LLC  
DROIT D'AUTEUR © EURO-PRO OPERATING LLC 2013

**USA:** Newton, MA 02459

**CANADA:** Ville St-Laurent, QC H4S 1A7

PRINTED IN CHINA  
IMPRIMÉ EN CHINE

Illustrations may differ from actual product.  
Les illustrations peuvent différer du produit actuel.

Euro-Pro and Shark, are trademarks of Euro-Pro Operating LLC.  
Euro-Pro et Shark sont des marques de commerce de Euro-Pro Operating LLC

V2725QC.E.F.131115.4

**[www.sharkclean.com](http://www.sharkclean.com)**  
**1-800-798-7398**