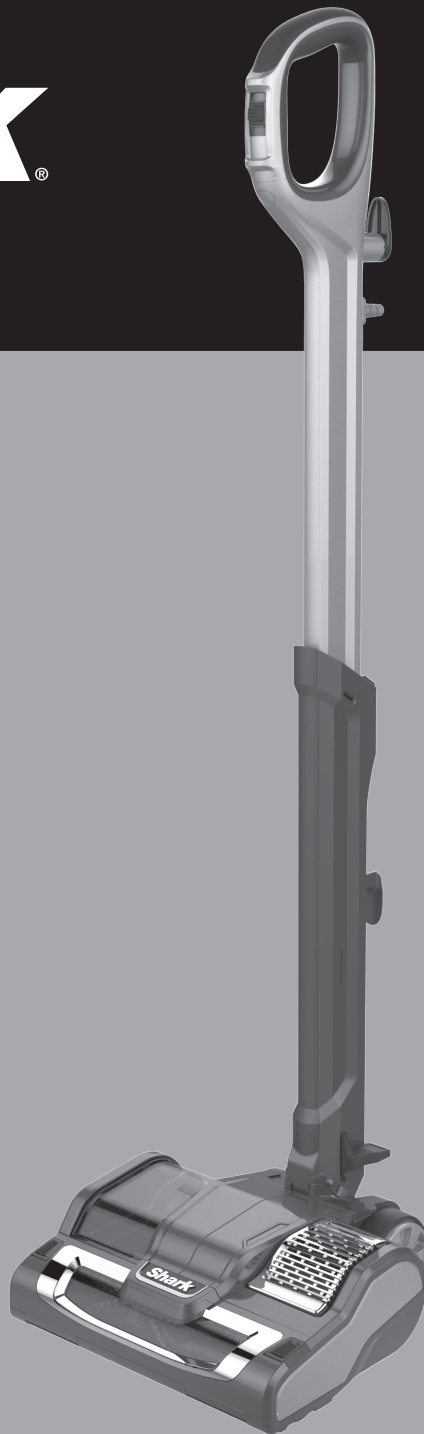


Shark®

Rocket®

Models/Modèles/Modelos

AH400C



www.sharkrocketpowerhead.com



1.800.798.7398

Thank you for purchasing the **Shark® Rocket® Powerhead**.

TECHNICAL SPECIFICATIONS:

Voltage: 120V., 60Hz
Watts: 600W
Amps: 5 A

Merci d'avoir fait l'achat de l'aspirateur à tête motorisée **Shark^{MD} Rocket^{MD}**.

SPÉCIFICATIONS TECHNIQUES :

Tension : 120V., 60Hz
Watts : 600W
Ampères : 5 A

Contents

Getting to Know Your Shark® Rocket® Powerhead Vacuum3
 Assembly4
 Vacuuming4
 Storage4
 What Does the Brushroll Indicator Light Mean?4
 Usage5
 Choosing the Appropriate Setting5
 Suction Release5
 Maintenance6
 Emptying the Dust Cup6
 Cleaning the Filters6
 Cleaning the Powerhead7
 Troubleshooting Guide8
 Warranty8

Contenu

Apprendre à connaître votre aspirateur à tête motorisée Shark^{MD} Rocket^{MD}10
 Assemblage11
 Aspiration11
 Entroposage11
 Que signifient les couleurs du témoin de la brosse motorisée??11
 Utilisation12
 Choisir le réglage approprié12
 Relâchement de l'aspiration12
 Entretien13
 Vider le récipient à poussière13
 Entretien des filtres13
 Nettoyage de la tête motorisée14
 Guide de dépannage15
 Garantie15

IMPORTANT SAFEGUARDS



CAUTION: The Motorized Power Nozzle, and Handle contain electrical connections:

- These are not serviceable parts.
- Do not use to vacuum any liquids.
- Do not immerse in water when cleaning.
- If Handle/Wand is damaged, discontinue use.

When using an electrical appliance, basic safety precautions should always be observed, including the following:

! WARNING

TO REDUCE THE RISK OF FIRE, ELECTRIC SHOCK OR INJURY:

- 1 DO NOT use outdoors or on wet surfaces.
- 2 Unplug from electrical outlet when not in use and before servicing.
- 3 Inspect power cord or plug for any damage before use. DO NOT use vacuum cleaner with a damaged cord or plug.
- 4 If vacuum cleaner is not working as it should, has been dropped, damaged, left outdoors, or dropped into water, return it to SharkNinja Operating LLC for examination, repair, or adjustment.
- 5 DO NOT pull or carry vacuum cleaner by the cord or use the cord as a handle.
- 6 DO NOT unplug by pulling on cord; to unplug, grasp the plug, not the cord.
- 7 DO NOT handle plug or vacuum cleaner with wet hands.
- 8 DO NOT run the vacuum cleaner over the power cord, close a door on the cord or pull cord around sharp corners.
- 9 The use of an extension cord is not recommended.
- 10 DO NOT leave vacuum cleaner when plugged in.
- 11 Keep cord away from heated surfaces.
- 12 Turn off all controls before plugging or unplugging the vacuum cleaner.
- 13 Store your vacuum cleaner with the power cord secured around the two cord holders as shown in the STORAGE section.
- 14 DO NOT attempt to defeat the interlocks.

GENERAL USE

- 15 Use only as described in this manual.
- 16 DO NOT put any objects into openings. DO NOT use with any opening blocked; keep free of dust, lint, hair, and anything that may reduce airflow.
- 17 Keep your work area well lit.
- 18 Keep the vacuum cleaner moving over the carpet surface at all times to avoid damaging the carpet fibers.

- 19 DO NOT place vacuum cleaner on unstable surfaces such as chairs or tables.
- 20 DO NOT allow young children to operate the vacuum cleaner or use as a toy. Close attention is necessary when used near children.
- 21 DO NOT use without Dust Cup and/or filters in place.
- 22 DO NOT use if airflow is restricted; if the air paths or the Motorized Floor Nozzle become blocked, turn the vacuum cleaner off. Remove all obstructions before you turn on the unit again.
- 23 Keep Motorized Floor Nozzle away from hair, face, fingers, uncovered feet, and loose clothing.
- 24 Only use manufacturer's recommended attachments.

DUST CUP/FILTERS

Before turning on the vacuum:

- 25 Make sure that all filters are thoroughly dry after routine cleaning.
- 26 Make sure that Dust Cup and all filters are in place after routine maintenance. Refer to MAINTENANCE section for filter cleaning instructions.
- 27 Make sure Motorized Floor Nozzle is free of blockages.
- 28 Only use filters and accessories provided by SharkNinja Operating LLC. [Failure to do so will void the warranty.]

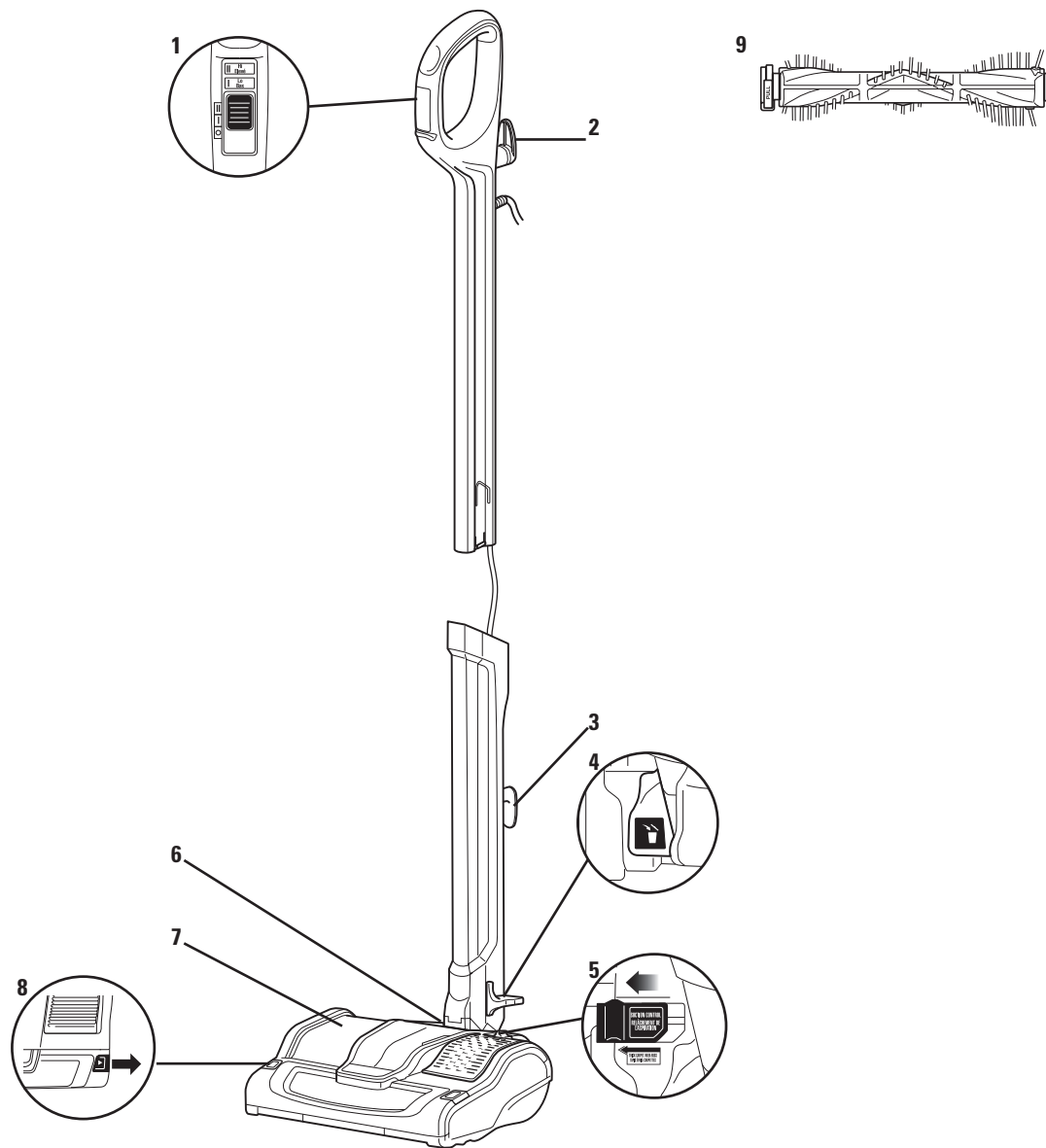
GENERAL CLEANING

- 29 DO NOT pick up large-sized objects.
- 30 DO NOT pick up hard or sharp objects such as glass, nails, screws, or coins that could damage the vacuum cleaner.
- 31 DO NOT use to pick up drywall dust.
- 32 DO NOT pick up smoking or burning objects such as hot coals, cigarette butts, fireplace ash, or matches.
- 33 DO NOT pick up flammable or combustible materials such as lighter fluid, gasoline, or kerosene or use vacuum in areas where they may be present.
- 34 DO NOT pick up toxic solutions such as chlorine bleach, ammonia, or drain cleaner.
- 35 DO NOT use in an enclosed space where vapors are present from paint, paint thinner, moth-proofing substances, flammable dust, or other explosive or toxic materials.
- 36 DO NOT vacuum up any liquids.
- 37 DO NOT immerse vacuum cleaner in water or other liquids.
- 38 DO NOT use outdoors or on wet surfaces; use only on dry surfaces.
- 39 Use extra care when cleaning on stairs.
- 40 Remove brushroll from unit before rinsing.

SAVE THESE INSTRUCTIONS

POLARIZED PLUG

To reduce the risk of electric shock, this vacuum cleaner has a polarized plug (one blade is wider than the other). As a safety feature, this plug will fit into a polarized outlet only one way. If the plug does not fit fully into the outlet, reverse the plug. If it still does not fit, contact a qualified electrician. DO NOT force into outlet or try to modify to fit.



MAIN UNIT

- 1 Power/LO/HI Switch
- 2 Upper Cord Hook
- 3 Lower Cord Hook
- 4 Dust Cup Release Foot Pedal

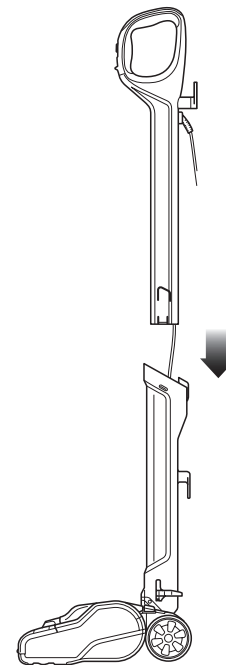
- 5 Suction Release
- 6 Brushroll Indicator Light
- 7 Dust Cup
- 8 Brushroll Cover Release

ACCESSORIES

- 9 All-Surface Brushroll

Looking for more accessories and replacement parts?
Check out www.sharkrocketpowerhead.com or call 1-800-798-7398.

ASSEMBLY

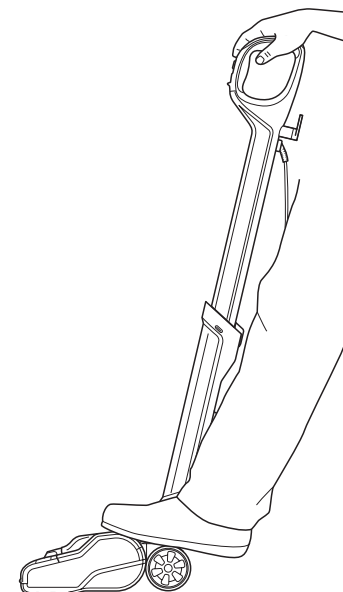


IMPORTANT: Always inspect wires for damage before assembly.

Insert the upper part of the Wand into the lower portion. Make sure not to pinch the wires.

Push the two parts together until you hear them click in place.

VACUUMING



Stand the vacuum upright. Step on the Motorized Floor Nozzle and pull the Wand back to start vacuuming.

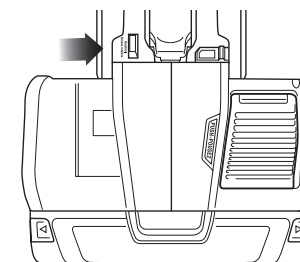
STORAGE



Wrap the power cord around the cord hooks.

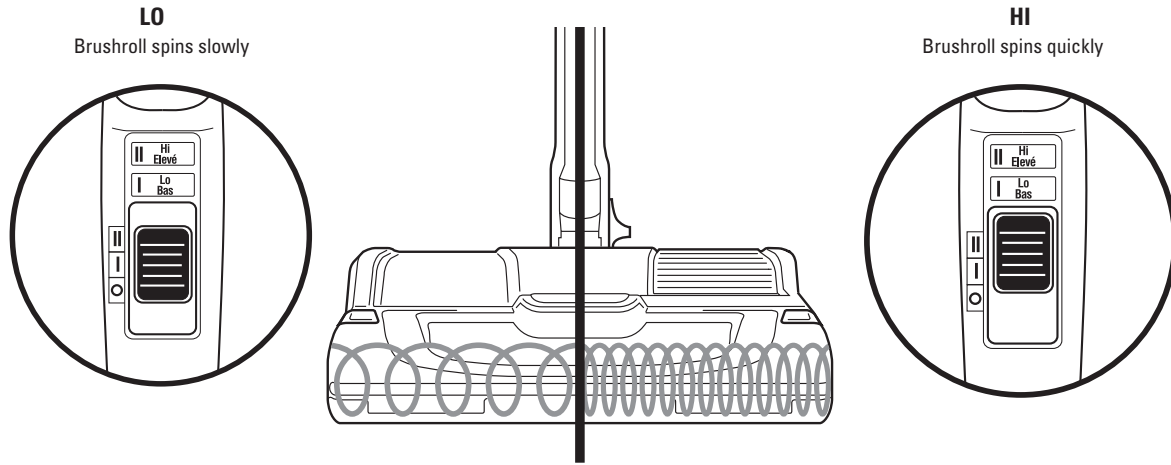
WHAT DOES THE BRUSHROLL INDICATOR LIGHT MEAN?

- **Solid Green:** The brushroll is on and working as it should.
- **Solid Red:** There is a jam in the brushroll area. Turn your vacuum off and remove the blockage.
- ***Flashing Red:** The motorized floor nozzle is overheating. Turn your vacuum off and wait for it to cool down.
*See Troubleshooting section for further instructions.



USAGE

The Shark® Rocket® Powerhead has a 2-speed POWER slider switch on the handle.

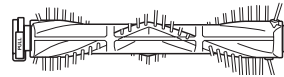


CHOOSING THE APPROPRIATE SETTING

All-Surface Brushroll

327FFJ452

The All-Surface Brushroll can be used on all floor types. It is optimized for deep carpet cleaning.



- **LO** - For Gentle on hard floors and area rugs
- **HI** - For deep-cleans carpets by removing embedded dirt

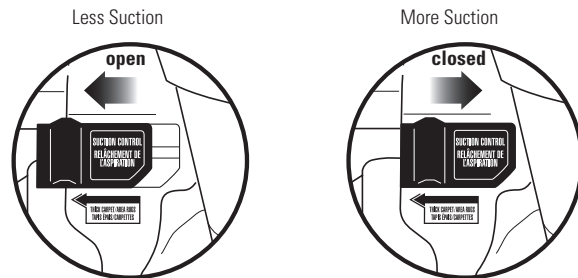
NOTE: For deep cleaning per ASTM F 608 (embedded dirt in carpets) please use the carpet brushroll on HI setting with the SUCTION CONTROL close.

- 1 Plug the unit into an electrical outlet.
- 2 Slide the POWER switch to the LO position to gently clean hard floors and area rugs. The Brushroll will spin slowly.
- 3 Slide the POWER switch to the HI position to deep-clean carpets by removing embedded dirt. The Brushroll will spin quickly.

NOTE: Before vacuuming your delicate area rugs or carpets, refer to the manufacturer's recommended cleaning instructions.

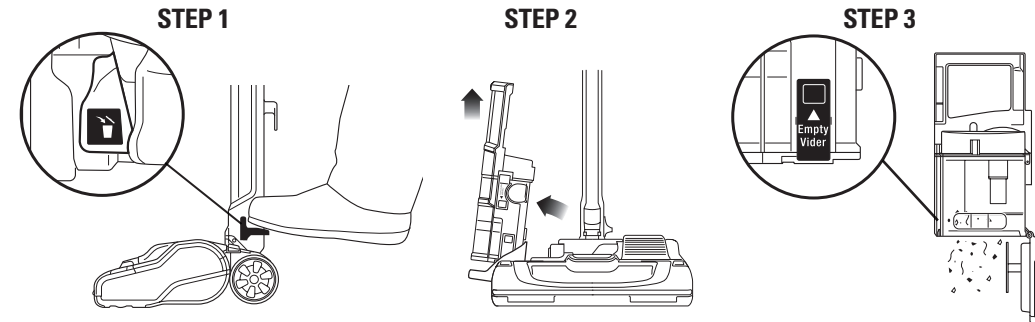
SUCTION RELEASE

This unit has a Suction Control Button to help with push and pull on high-pile carpets and to release suction when vacuuming area rugs. Open to minimize suction. Be sure to close again for maximum suction.



MAINTENANCE

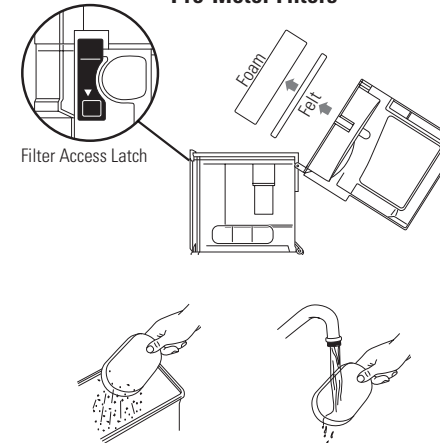
To keep your vacuum's suction power optimal, follow these instructions.
IMPORTANT: Allow ALL filters to dry completely before replacing in the vacuum.
Make sure unit is off and cord is unplugged.



EMPTYING THE DUST CUP

- 1 Detach the removable Dust Cup from the Motorized Floor Nozzle by pressing the Dust Cup Release Foot Pedal located on the left side near the Nozzle.
- 2 Holding the Dust Cup by the handle, lift it up to remove it from the Motorized Floor Nozzle.
- 3 Hold the Dust Cup over a garbage bag or can, then press the Empty button on the side of the Dust Cup. The bottom lid will open, allowing the debris to fall out.
- 4 Clean the dust screen inside the Dust Cup as required.

Pre-Motor Filters

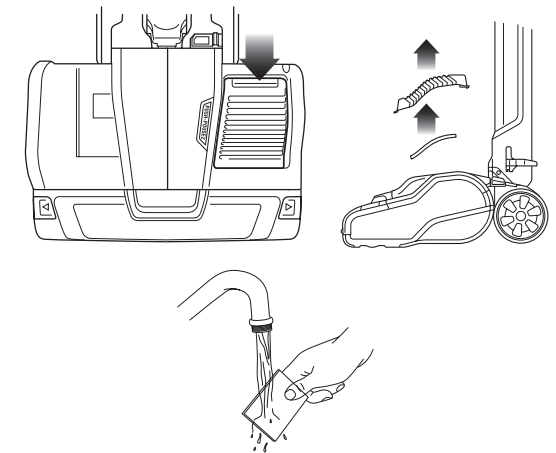


CLEANING THE FILTERS

Pre-Motor Filters

Access the Pre-Motor Filters by pressing the FILTER ACCESS latch on the top of the Dust Cup. Remove and rinse the foam and felt filters **every month**. Let air-dry **COMPLETELY** before replacing in the vacuum. Hand wash only. Tap loose dirt off filters between washes as needed. Insert the felt filter first, and then place the foam filter on top of it.

Post-Motor Filter



Post-Motor Filter

Access the Post-Motor Filter on the top of the Motorized Floor Nozzle. Remove and rinse **once a year**. Let air-dry completely before replacing. Hand wash only.

RECOMMENDED FILTER CLEANING SCHEDULE:

Pre-Motor Filter Kit (Foam & Felt): XFFH400	Every month
Post-Motor Filter: XEXFH400	Every year

MAINTENANCE

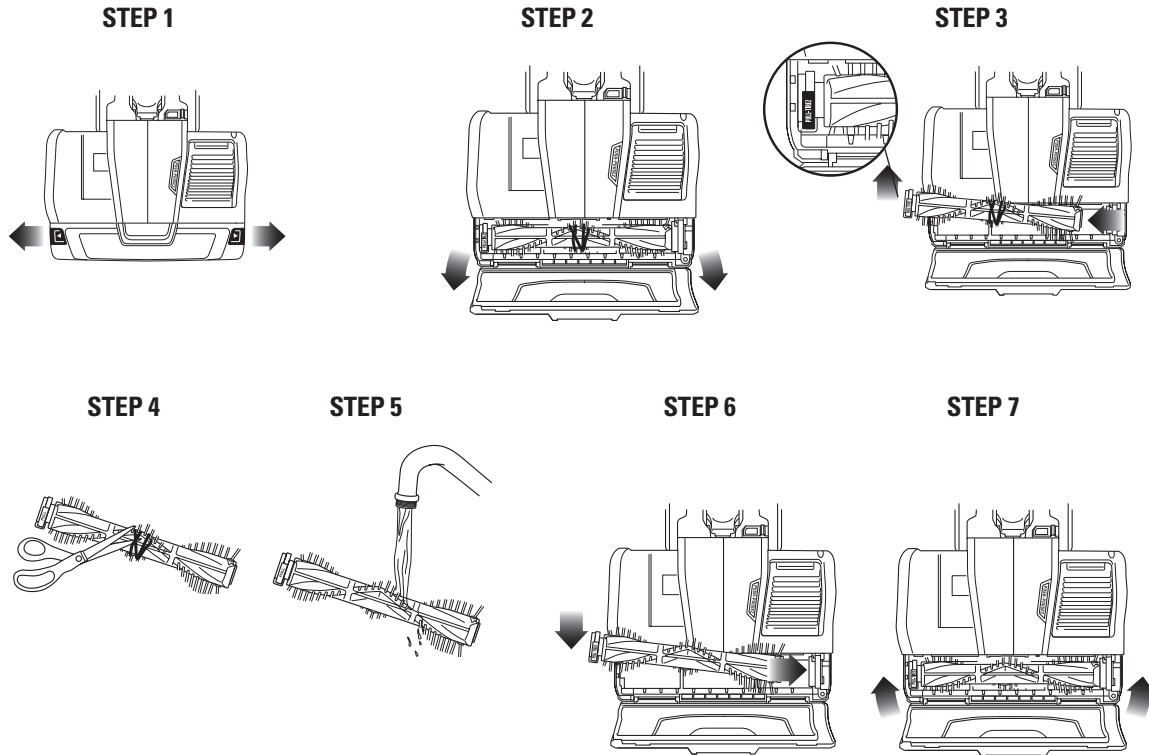
To keep your vacuum's suction power optimal, follow these instructions.

Make sure unit is off and cord is unplugged.

IMPORTANT: Allow ALL filters to dry completely before replacing in the vacuum.

IMPORTANT: Remove Brushroll from unit before rinsing.

IMPORTANT: Make sure Brushroll is completely dry before replacing in the vacuum.



CLEANING THE POWERHEAD

TO ACCESS THE BRUSHROLL

- Slide the Brushroll Cover Release Buttons out.
- Pull up to open the hood of the Motorized Floor Nozzle.
- Lift the tab on the Brushroll up to remove it from the Motorized Floor Nozzle.
- Remove any string, carpet fibers, or hair that is wrapped around the Brushroll. The groove on the Brushroll allows a pair of scissors to cut the debris without damaging the bristles.
- The Brushroll can be removed and rinsed under running water. Let the Brushroll air-dry completely before replacing in the Motorized Floor Nozzle.
- To reassemble, hold the Brushroll by the tab and align the other end with the gear. Then with the tab facing up, place the Brushroll in the Motorized Floor Nozzle.
- Close the Brushroll cover. Listen for a click and make sure the release buttons are fully closed.

IMPORTANT: DO NOT place the Brushroll in the dishwasher to wash or the dryer to dry. DO NOT submerge the Brushroll in water.

IMPORTANT: Using a wet Brushroll in the Motorized Floor Nozzle will void your warranty.

TROUBLE-SHOOTING GUIDE

Customer Service: 1-800-798-7398

Vacuum is not picking up dirt. No suction or light suction.

- Check filters to see if they need cleaning. Follow instructions for rinsing and drying the filters before re-inserting back into the vacuum.
- Dust cup may be full; empty dust cup.
- Check the Motorized Floor Nozzle for blockages; clear blockages if required.
- Remove any string, carpet fibers or hair that may be wrapped around the Brushroll.

Vacuum lifts area rugs.

- Suction is powerful. Take care when vacuuming area rugs or rugs with delicately sewn edges.
- Turn off the unit to disengage the Brushroll and restart with the POWER slider switch h.
- Open the Suction Control Button on the Motorized Floor Nozzle to decrease suction power.

Brushroll does not spin.

- If Brushroll Indicator Light on the Motorized Floor Nozzle turns red, the Brushroll has stopped spinning. Immediately turn off, unplug vacuum and remove blockage. Replace the power plug into the electrical outlet and turn the vacuum on.
- If Brushroll Indicator Light on the Motorized Floor Nozzle is green, the blockage has been successfully cleared. If the light is still red, please contact customer service at 1-800-798-7398.
- Check to make sure the Brushroll was replaced correctly if it had been removed.
- Make sure that the 2-speed POWER slider switch on the handle is properly set to the desired floor setting.
- Ensure hood of the Motorized Floor Nozzle is closed completely.

Brushroll access hood will not close.

- Make sure that the Brushroll was reinserted correctly with the pull tab facing up.

Dust Cup will not latch back onto Motorized Floor Nozzle.

- Make sure both the bottom door and filter access are fully closed. Press firmly in the center of the Dust Cup on the Motorized Floor Nozzle until you hear a click.

Vacuum turns off on its own or indicator light flashes red.

- This vacuum cleaner is equipped with a motor protective thermostat. If for some reason your vacuum overheats, the thermostat will automatically turn the suction motor off. Should this occur, perform the following steps to restart the thermostat:
 - Turn the unit off.
 - Unplug the vacuum.
 - Empty the Dust Cup and clean filters.
 - Check for blockages in the, accessories and inlet openings.
 - Allow the unit to cool for a minimum of 45 minutes.
 - Plug in the vacuum.
 - Restart the unit by turning the POWER slider switch on.

FIVE-YEAR (5) LIMITED WARRANTY

SharkNinja Operating LLC warrants this product to be free from material defects and workmanship for a period of five (5) years from the date of purchase when utilized for normal household use, subject to the following conditions, exclusions and exceptions.

The liability of SharkNinja Operating LLC is limited solely to the cost of the repair or replacement of the unit at our option. This Limited Warranty does not cover normal wear of parts and does not apply to any unit that has been tampered with or used for commercial purposes. This Limited Warranty does not cover damage caused by misuse, abuse, negligent handling or damage due to faulty packaging or mishandling in transit. This Limited Warranty does not cover damage or defects caused by or resulting from damages from shipping or repairs, service or alteration to the product or any of its parts, which have been performed by a repair person not authorized by SharkNinja Operating LLC.

If your appliance fails to operate properly while in use under normal household conditions within the warranty period, you may return the complete appliance and accessories with proof of purchase and date, freight prepaid. For assistance with warranty service options or customer support, please call our customer care and product specialists at 1-800-798-7398 or visit our website at www.sharkrocketpowerhead.com.

If the appliance is found by SharkNinja Operating LLC to be defective, in SharkNinja Operating LLC's sole discretion, we will repair or replace it free of charge. Proof of purchase is required and a fee of \$19.95 will apply to cover the cost of return freight.*

Non-durable parts including, without limitation, filters, brushes and electrical parts which normally require replacement are specifically excluded from warranty.

This Limited Warranty is extended to the original purchaser of the unit and excludes all other legal, implied and/or conventional warranties. The responsibility of SharkNinja Operating LLC if any, is limited to the specific obligations expressly assumed by it under the terms of this Limited Warranty. In no event is SharkNinja Operating LLC liable for incidental or consequential damages to anyone of any nature whatsoever. Some states do not permit the exclusion or limitation of incidental or consequential damages, so the above may not apply to you.

This Limited Warranty gives you specific legal rights, and you may also have other rights which vary from state to state or province to province.

*IMPORTANT: Carefully pack item to avoid damage in shipping. Be sure to include proof of purchase date and to attach a tag to item before packing including your name, complete address and phone number with a note giving purchase information, model number and what you believe is the problem with the item. We recommend you insure the package (as damage in shipping is not covered by your warranty). Mark the outside of your package "ATTENTION CUSTOMER SERVICE".

Shark, and Rocket are registered trademarks of SharkNinja Operating LLC.



MESURES DE PROTECTION IMPORTANTES



MISE EN GARDE : le tuyau d'alimentation motorisé, le tuyau extensible et la poignée contiennent des connexions électriques :

- Il n'y a aucune pièce pouvant faire l'objet d'un entretien ou d'une réparation.
- N'utilisez pas l'appareil pour aspirer tout liquide.
- Ne plongez pas l'appareil dans l'eau lors de son nettoyage.
- Si le tuyau ou la poignée s'endommagent, arrêtez d'utiliser l'aspirateur.

Lorsque vous utilisez un appareil électrique, des précautions de base concernant la sécurité doivent toujours être observées, incluant celles qui suivent :

AVERTISSEMENT

POUR RÉDUIRE LE RISQUE D'INCENDIE, DE CHOCS ÉLECTRIQUES OU DE BLESSURES :

- 1 N'UTILISEZ PAS à l'extérieur ou sur des surfaces mouillées.
- 2 Débranchez l'aspirateur de la prise de courant lorsqu'il n'est pas utilisé et avant tout entretien.
- 3 Inspectez le cordon ou la fiche électrique pour tout dommage avant d'utiliser l'aspirateur. N'UTILISEZ PAS l'aspirateur si le cordon ou la fiche est endommagée.
- 4 Si l'aspirateur ne fonctionne pas comme il se doit, a été échappé, endommagé, laissé à l'extérieur ou bien échappé dans l'eau, veuillez le retourner à SharkNinja Operating LLC pour un examen, une réparation ou un ajustement.
- 5 NE TIREZ PAS ou NE TRANSPORTEZ PAS l'aspirateur par le cordon d'alimentation et n'utilisez pas celui-ci comme une poignée.
- 6 NE le DÉBRANCHEZ PAS en tirant sur le cordon d'alimentation. Pour le débrancher, agrippez la fiche et non le cordon.
- 7 NE MANIPULEZ PAS la fiche d'alimentation électrique ou l'aspirateur avec des mains humides.
- 8 NE PASSEZ PAS l'aspirateur par-dessus le cordon d'alimentation; ne fermez pas une porte sur le cordon et ne le faites pas passer sur des coins pointus.
- 9 L'utilisation d'une rallonge électrique n'est pas recommandée.
- 10 NE LAISSEZ PAS l'aspirateur sans surveillance lorsqu'il est branché.
- 11 Gardez le cordon éloigné des surfaces chaudes.
- 12 Fermez toutes les commandes avant de brancher ou débrancher l'aspirateur.
- 13 Rangez votre aspirateur avec le cordon d'alimentation bien enroulé autour des deux supports à cordon comme indiqué dans la section RANGEMENT.
- 14 N'ESSAYEZ PAS de modifier les verrouillages.

UTILISATION GÉNÉRALE

- 15 Utilisez seulement de la façon indiquée dans ce manuel.
- 16 N'INSÉREZ PAS d'objets dans les ouvertures. NE PAS UTILISER si des ouvertures sont obstruées. Assurez-vous qu'il n'y a pas de poussière, de charpie, de cheveux et toute autre chose pouvant réduire le débit d'air.

- 17 Veuillez garder votre zone de travail bien éclairée.
- 18 L'aspirateur doit toujours être en mouvement sur le tapis afin d'éviter d'endommager les fibres.
- 19 NE PLACEZ PAS l'aspirateur sur des surfaces instables telles que des chaises ou des tables.
- 20 NE LAISSEZ PAS les jeunes enfants utiliser l'aspirateur ou l'utiliser comme un jouet. Une attention particulière doit être portée lorsqu'il est utilisé près des enfants.
- 21 N'UTILISEZ PAS l'aspirateur si le récipient à poussière ou les filtres ne sont pas en place.
- 22 N'UTILISEZ PAS l'aspirateur si le débit d'air est restreint. Si les conduits d'air ou le tube de rallonge motorisé sont obstrués, éteignez l'aspirateur. Retirez toutes les obstructions avant de remettre l'appareil en marche.
- 23 Gardez le tuyau d'aspiration motorisé loin de vos cheveux, de votre visage, de vos doigts, de vos pieds nus ou de vêtements amples.
- 24 N'utilisez que les accessoires recommandés par le fabricant.

FILTRE ET RÉCIPENT À POUSSIÈRE

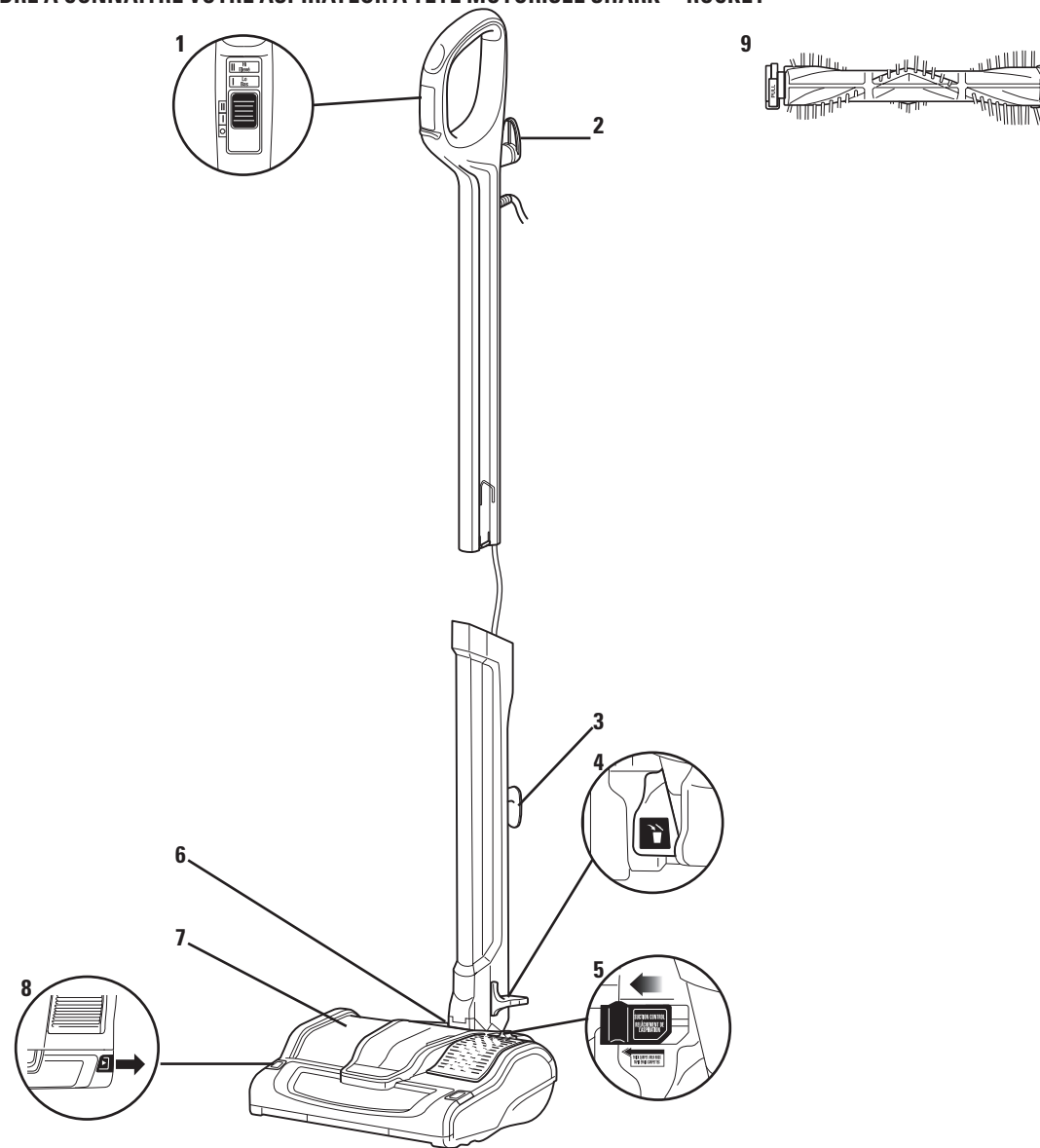
Avant de mettre l'aspirateur en marche :

- 25 Assurez-vous que les filtres sont complètement secs après le nettoyage de routine.
- 26 Après avoir effectué l'entretien de routine, assurez-vous que le récipient à poussière et tous les filtres sont bien en place. Consultez la section « ENTRETIEN » pour les instructions concernant le nettoyage des filtres.
- 27 Assurez-vous que le tuyau d'aspiration motorisé est libre de toute obstruction.
- 28 Utilisez seulement les filtres et accessoires fournis par SharkNinja Operating LLC. [À défaut de quoi, la garantie sera annulée.]

NETTOYAGE GÉNÉRAL

- 29 NE RAMASSEZ PAS de gros objets.
- 30 NE RAMASSEZ pas de gros objets ou des objets pointus comme du verre, des clous, des vis ou de la monnaie lesquels pourraient endommager l'aspirateur.
- 31 N'UTILISEZ PAS l'aspirateur pour ramasser de la poussière de cloison sèche.
- 32 NE RAMASSEZ PAS d'objets fumants ou brûlants comme des charbons chauds, des cendres chaudes, des bouts de cigarettes ou des allumettes.
- 33 NE RAMASSEZ PAS de liquides inflammables ou combustibles tels que de l'essence à briquets, du carburant, du kérosène ou n'utilisez pas l'aspirateur dans des endroits où ces produits peuvent être présents.
- 34 NE RAMASSEZ PAS de solutions toxiques telles que de l'eau de javel, de l'ammoniac ou du nettoyeur à drains.
- 35 N'UTILISEZ PAS dans des endroits clos où il y a des vapeurs provenant de la peinture, des diluants à peinture, des substances antimites, de la poussière inflammable ou tout autre matériel explosif ou toxique.
- 36 NE PASSEZ PAS l'aspirateur sur aucun liquide.
- 37 NE PLONGEZ PAS l'aspirateur dans l'eau ou tout autre liquide.
- 38 N'UTILISEZ PAS à l'extérieur ou sur des surfaces mouillées; utilisez uniquement sur des surfaces sèches.
- 39 Faites très attention lors du nettoyage de l'escalier.
- 40 Retirez la brosse de l'aspirateur avant de la rincer.

APPRENDRE À CONNAITRE VOTRE ASPIRATEUR À TÊTE MOTORISÉE SHARK^{MD} ROCKET^{MD}



UNITÉ PRINCIPALE

- 1 Interrupteur Alimentation/Bas/Elevé
- 2 Crochet supérieur du cordon
- 3 Crochet inférieur du cordon
- 4 Pédale de dégagement du récipient à poussières

ACCESSOIRES

- 5 Dégagement de l'aspiration
- 6 Témoin de la brosse rotative
- 7 Récipient à poussières
- 8 Dégagement du couvercle de la brosse
- 9 Brosse rotative toutes surfaces

Vous cherchez plus d'accessoires et pièces de rechange?
 Découvrez www.sharkrocketpowerhead.com
 ou composez le 1-800-798-7398.

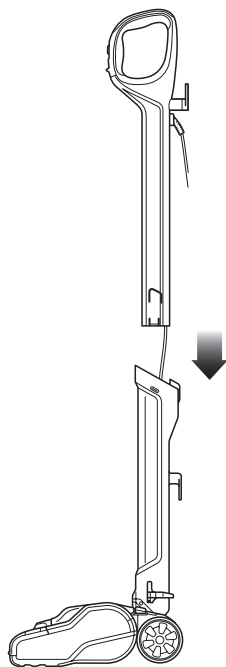
CONSERVEZ CES INSTRUCTIONS

FICHE POLARISÉE

Pour réduire le risque de chocs électriques, cet aspirateur possède une fiche polarisée (une lame est plus large que l'autre). Par mesure de sécurité, cette fiche ne peut être insérée que d'un seul côté dans une prise polarisée. Si la fiche ne s'insère pas complètement dans la prise de courant, inversez-la. Si cela ne fonctionne toujours pas, contactez un électricien qualifié. NE FORCEZ PAS ou ne modifiez pas la fiche pour la brancher dans une prise de courant.



ASSEMBLAGE

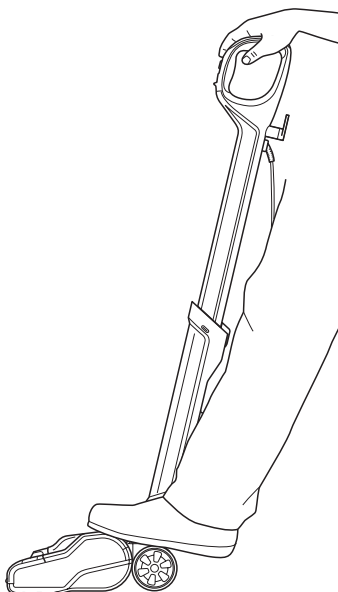


IMPORTANT : Inspectez toujours les fils pour tout dommage possible avant l'assemblage.

Insérez la partie supérieure du tuyau dans la partie inférieure. Assurez-vous de ne pas pincer les fils.

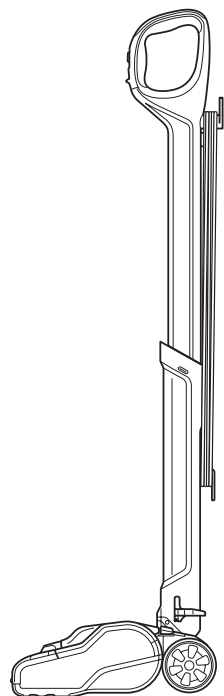
Poussez sur les deux pièces jusqu'à ce que vous entendiez un dé clic indiquant qu'elles sont en place.

ASPIRATION



Veillez mettre l'aspirateur en position verticale. Marchez sur le tuyau d'aspiration motorisé et repliez le tuyau pour commencer l'aspiration.

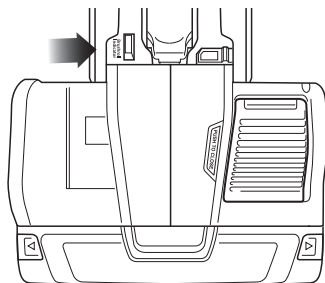
ENTREPOSAGE



Enroulez le cordon d'alimentation autour des crochets.

QUE SIGNIFIENT LES COULEURS DU TÉMOIN DE LA BROSE MOTORISÉE?

- **Vert, allumé en continu :** La brosse rotative est activée et fonctionne correctement.
- **Rouge, allumé en continu :** La brosse rotative est bloquée; éteignez l'aspirateur et éliminez le blocage.
- ***Rouge, clignotant :** La brosse motorisée surchauffe; éteignez l'aspirateur et attendez que la brosse rotative refroidisse.
*Voir le Guide de Dépannage pour obtenir des instructions supplémentaires.

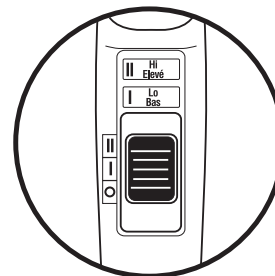


UTILISATION

L'aspirateur à tête motorisée Shark^{MD} Rocket^{MD} possède un interrupteur à glissière d'ALIMENTATION à 2 vitesses sur sa poignée.

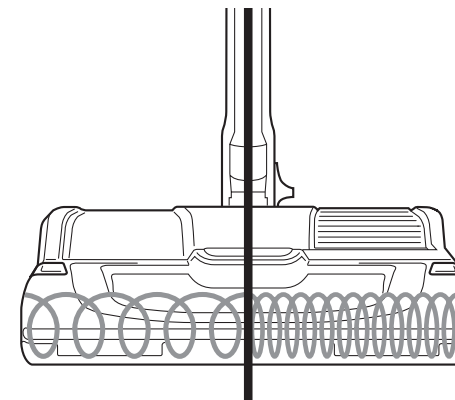
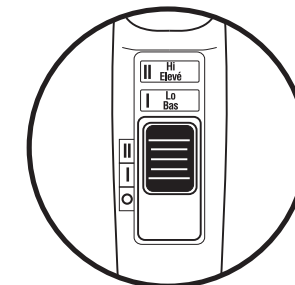
BAS

La brosse tourne lentement



ELEVÉ

La brosse tourne rapidement



CHOISIR LE RÉGLAGE APPROPRIÉ

Brosse rotative toutes surfaces

327FFJ452

La brosse rotative toutes surfaces peut être utilisée sur tous les types de planchers. Elle est optimisée pour le nettoyage profond des tapis.



- **BAS** - Doux pour les planchers durs et les petits tapis
- **ELEVÉ** - Nettoie en profondeur les tapis en enlevant la saleté incrustée

REMARQUE : Pour un nettoyage en profondeur selon la norme ASTM F-608 (saleté incrustée dans les tapis), veuillez utiliser la brosse de tapis positionner à ELEVÉ avec la COMMANDE D'ASPIRATION fermée.

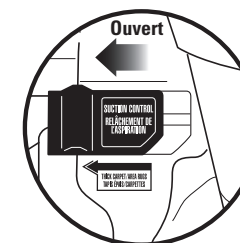
- 1 Branchez l'appareil dans une prise de courant murale.
- 2 Glissez l'interrupteur d'ALIMENTATION à la position BAS pour nettoyer en douceur les planchers durs et les petits tapis. La brosse tournera lentement.
- 3 Glissez l'interrupteur d'ALIMENTATION à la position ELEVÉ pour nettoyer en profondeur les tapis en aspirant la saleté incrustée. La brosse tournera rapidement.

REMARQUE : Avant d'aspirer vos tapis ou petits tapis délicats, consultez les instructions de nettoyage recommandées par le fabricant.

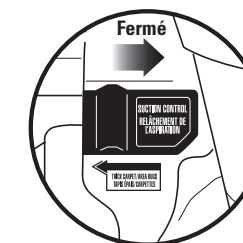
RELÂCHEMENT DE L'ASPIRATION

Cet appareil est doté d'un bouton de contrôle de l'aspiration afin d'aider à pousser et à tirer lorsque vous passez l'aspirateur sur des tapis à poils longs et pour relâcher l'aspiration lorsque vous nettoyez des petits tapis. Ouvrez pour diminuer l'aspiration. Assurez-vous de le refermer pour une aspiration maximale.

Moins d'aspiration



Plus d'aspiration

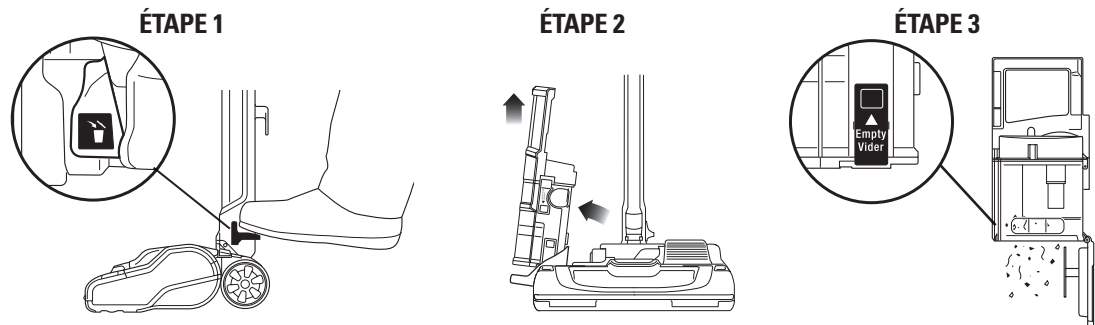


ENTRETIEN

Pour conserver une puissance d'aspiration optimale de votre aspirateur, suivez ces instructions.

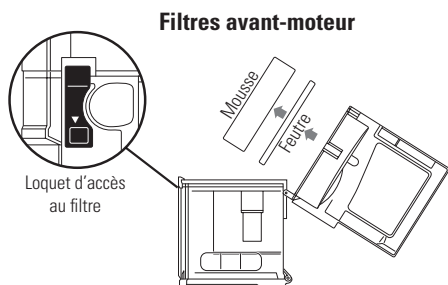
IMPORTANT : Permettez à TOUS les filtres de sécher complètement avant de les remettre dans l'aspirateur.

Assurez-vous que l'appareil est éteint et le cordon débranché.

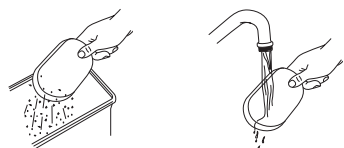


VIDER LE RÉCIPENT À POUSSIÈRE

- 1 Détachez le récipient à poussières du tuyau d'aspiration motorisé en appuyant sur la pédale de libération du récipient à poussières située sur le côté gauche près du tuyau d'aspiration.
- 2 Tenez le récipient à poussières par la poignée, soulevez-le pour le retirer du tuyau d'aspiration motorisé.
- 3 Tenez le récipient à poussière au-dessus d'un sac à ordures ou d'une corbeille, puis appuyez sur le bouton Vider sur le côté du récipient à poussière. Le couvercle du bas s'ouvrira, permettant aux débris de tomber.
- 4 Nettoyez le filtre à poussières situé dans le récipient à poussières si besoin est.



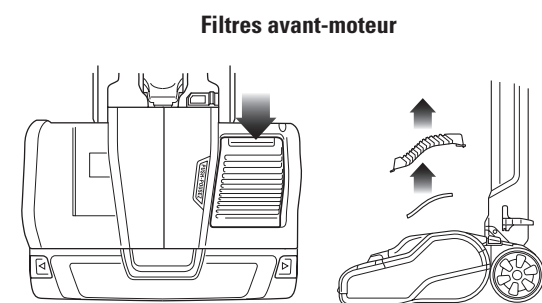
Filtres avant-moteur



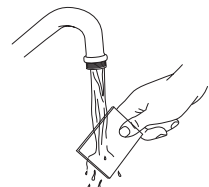
ENTRETIEN DES FILTRES

Filtre après-moteur

Accédez aux filtres avant-moteur en appuyant sur le loquet ACCÈS AU FILTRE situé dans le haut du récipient à poussières. Retirez et rincez les filtres de mousse et de feutre **chaque mois**. Laissez sécher **COMPLÈTEMENT** à l'air libre avant de remettre les filtres dans l'aspirateur. Lavez uniquement à la main. Tapotez et secouez, au besoin, les filtres pour dégager la saleté entre les lavages. Insérez le filtre de feutre en premier suivi de celui en mousse par-dessus.



Filtres avant-moteur



Filtre après-moteur

Accédez au filtre après-moteur sur le haut du tuyau d'aspiration motorisé. Retirez et rincez le filtre **une fois l'an**. Laissez sécher à l'air libre complètement avant de le remettre dans l'aspirateur. Lavez à la main uniquement.

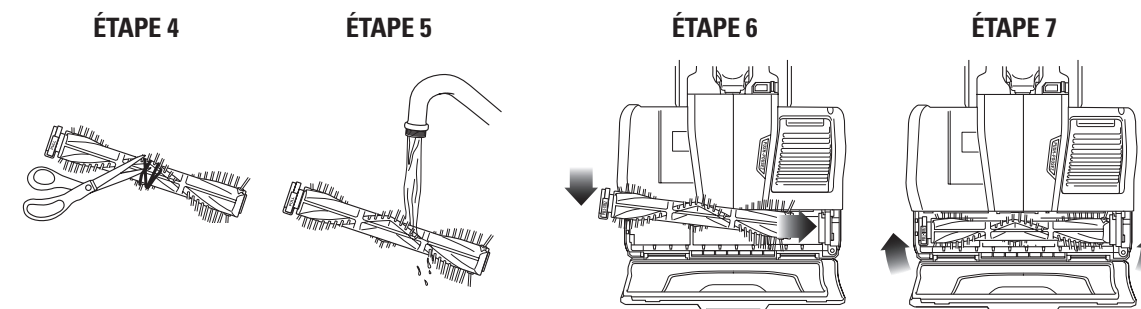
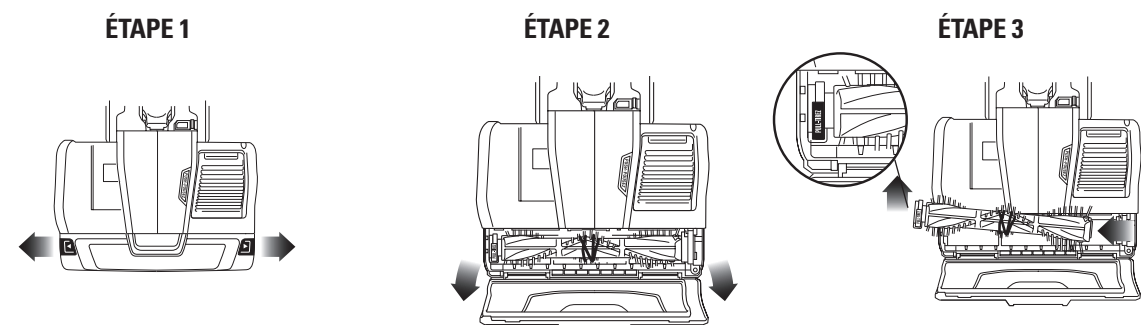
HORAIRE RECOMMANDÉ POUR LE NETTOYAGE DES FILTRES :

Ensemble de filtre avant-moteur (mousse et feutre) : **XFFH400** Chaque mois
Filtre après-moteur : **XEXFH400** Chaque an

IMPORTANT : Retirez la brosse de l'appareil avant de la rincer.

IMPORTANT : Assurez-vous que les brosses sont complètement sèches avant de les réinstaller dans l'aspirateur.

Assurez-vous que l'appareil est éteint et le cordon débranché.



NETTOYAGE DE LA TÊTE MOTORISÉE POUR ACCÉDER À LA BROSSE

- 1 Sortez les boutons de relâchement du couvercle de la brosse.
- 2 Tirez pour ouvrir le couvercle du tuyau d'aspiration motorisé.
- 3 Soulevez l'onglet sur la brosse pour retirer celle-ci du tuyau d'aspiration motorisé.
- 4 Enlevez les fils, les fibres de tapis ou les cheveux qui peuvent être enroulés autour de la brosse. La rainure sur la brosse permet à une paire de ciseaux de couper les débris sans endommager les poils.
- 5 La brosse peut être enlevée et rincée sous de l'eau courante. Laissez sécher complètement à l'air sec la brosse avant de la remettre dans le tuyau d'aspiration motorisé.
- 6 Pour le réassemblage, maintenez la brosse par l'onglet et alignez l'autre extrémité avec l'engrenage. Puis avec l'onglet faisant face vers le haut, placez la brosse dans le tuyau d'aspiration motorisé.
- 7 Refermez le couvercle de la brosse. Soyez à l'écoute d'un déclic et assurez-vous que les boutons de relâchement sont complètement fermés.

IMPORTANT : NE PLACEZ PAS la brosse dans le lave-vaisselle pour la laver ou la sécher. NE PLONGEZ PAS la brosse dans de l'eau

IMPORTANT : L'utilisation d'une brosse mouillée dans le tuyau d'aspiration motorisé annulera votre garantie.

GUIDE DE DÉPANNAGE

Service à la clientèle : 1-800-798-7398

L'aspirateur ne ramasse pas la saleté.
Aucune aspiration ou peu d'aspiration.

- Vérifiez les filtres pour voir s'ils ont besoin d'être nettoyés. Suivez les instructions pour savoir comment rincer et sécher complètement à l'air les filtres avant de les remettre à leur place dans l'aspirateur.
- Le récipient à poussières est peut-être plein; videz-le.
- Vérifiez le tuyau d'aspiration motorisé pour toute obstruction possible, dégagez-les si besoin est.
- Enlevez les fils, les fibres de tapis ou les cheveux qui peuvent être enroulés autour de la brosse.

L'aspirateur soulève les petits tapis.

- L'aspiration est puissante. Soyez prudent lorsque vous passez l'aspirateur sur des carpettes ou sur des tapis avec des bords à coutures délicates.
- Éteignez l'aspirateur pour désengager la brosse à tapis et remettez l'appareil en marche en utilisant l'interrupteur à glissière ALIMENTATION.
- Ouvrez le bouton de commande de l'aspiration sur le tuyau d'aspiration motorisé pour diminuer la force d'aspiration.

La brosse à tapis ne tourne pas.

- Si le voyant lumineux sur la brosse à tapis sur le tuyau d'aspiration motorisé illumine rouge, la brosse à tapis a cessé de tourner. Éteignez immédiatement l'aspirateur, débranchez-le et enlevez l'obstruction. Rebranchez le cordon d'alimentation dans la prise de courant et mettez en marche l'aspirateur.
- Si le voyant de l'indicateur de la brosse à tapis sur le tuyau d'aspiration motorisé s'illumine vert, l'obstruction a été dégagée avec succès. Si le voyant lumineux est toujours rouge, veuillez contacter le service à la clientèle au 800 798-7398.
- Assurez-vous que la brosse à tapis a été remise en place correctement si elle a été enlevée.
- Assurez-vous que l'interrupteur à glissière de l'ALIMENTATION à 2 vitesses sur la poignée est correctement configuré pour le type de plancher désiré.
- Assurez-vous que le couvercle du tuyau d'aspiration motorisé est complètement fermé.

Le couvercle d'accès de la brosse à tapis ne se ferme pas.

Le récipient à poussières ne se verrouille pas en place dans le tuyau d'aspiration motorisé.

- Assurez-vous que la brosse à tapis a été remise en place correctement avec la languette à tirer faisant face vers le haut.
- Assurez-vous qu'aussi bien la porte du bas que l'accès au filtre sont complètement fermés. Appuyez fermement au centre du récipient à poussières sur le tuyau d'aspiration motorisé jusqu'à ce que vous entendiez un déclic.

L'aspirateur s'éteint de lui-même, ou le témoin de la brosse motorisée clignote en rouge

- Cet aspirateur est équipé d'un thermostat protecteur du moteur afin que l'aspirateur s'arrête en cas de surchauffe. Si cela se produit, effectuez les étapes suivantes pour réinitialiser le thermostat du moteur :
 1. Éteignez l'aspirateur.
 2. Débranchez l'aspirateur.
 3. Videz le récipient à poussières et nettoyez les filtres.
 4. Vérifiez s'il y a des obstructions dans le tuyau, dans les accessoires et dans les orifices d'entrée.
 5. Laissez refroidir l'appareil pendant au moins 45 minutes.
 6. Branchez l'aspirateur.
 7. Redémarrez l'aspirateur en mettant en marche l'interrupteur à glissière ALIMENTATION.

GARANTIE LIMITÉE DE CINQ (5) ANS

SharkNinja Operating LLC garantit ce produit contre toute défectuosité de matériel ou de main-d'œuvre pour une période de cinq (5) ans à compter de la date d'achat lors d'utilisation dans le cadre d'un usage domestique normal, sujet aux conditions, exclusions et exceptions suivantes.

La responsabilité de SharkNinja Operating LLC est limitée au coût de réparation ou de remplacement de l'appareil, à sa seule discrétion. Cette garantie limitée ne couvre pas l'usure normale des pièces et ne s'applique pas aux appareils ayant été altérés ou utilisés à des fins commerciales. Cette garantie limitée ne couvre pas les dommages causés par une mauvaise utilisation, l'abus, la négligence lors de la manipulation, un emballage inadéquat ou la mauvaise manipulation en transit. Cette garantie limitée ne couvre pas les dommages ou défauts causés par ou résultants du transport, des réparations, de l'entretien ou de l'altération du produit ou à ses pièces, effectués par un technicien non autorisé par SharkNinja Operating LLC.

Si votre appareil ne fonctionne pas comme il le devrait lors d'un usage domestique normal pendant la période de garantie, vous pouvez le retourner au complet avec ses accessoires, port payé. Pour obtenir de l'assistance avec les options du service de la garantie ou de l'assistance, veuillez appeler notre service à la clientèle et nos spécialistes de produits au 1-800-798-7398 ou visitez notre site Web à www.sharkrocketpowerhead.com.

Si SharkNinja Operating LLC constate que l'appareil est défectueux, à la seule discrétion de SharkNinja Operating LLC, nous le réparerons ou le remplacerons sans frais. Une preuve d'achat est requise et un montant de 19,95 \$ est nécessaire pour couvrir les frais de retour.*

Les accessoires d'usage courant incluant, mais sans s'y limiter, les filtres, les brosses et les pièces électriques qui nécessitent habituellement un remplacement sont spécifiquement exclus de la garantie. Cette garantie limitée s'applique à l'acheteur original de l'appareil et exclut toutes les autres garanties juridiques, implicites ou conventionnelles. La responsabilité de SharkNinja Operating LLC, s'il y en a une, se limite aux obligations spécifiques exprimées sous cette garantie limitée. En aucun cas, SharkNinja Operating LLC ne peut être tenu responsable d'incidents ou de dommages indirects de toute nature que ce soit. Certains États ou provinces n'autorisent pas l'exclusion ou la limitation de dommages circonstanciels ou conséquents, dans ce cas, cette disposition ne s'appliquerait pas.

Cette garantie limitée vous confère des droits juridiques spécifiques, et d'autres droits légaux vous sont peut-être disponibles, variant d'un État à l'autre ou d'une province à l'autre.

*IMPORTANT : Emballez soigneusement l'appareil pour éviter tout dommage lors du transport. Assurez-vous de joindre la preuve d'achat et d'attacher à l'appareil une étiquette mentionnant votre nom, adresse complète ainsi que le numéro de téléphone, de même que l'information concernant l'achat, le numéro de modèle et le problème, selon vous, de l'appareil. Nous vous recommandons d'assurer votre colis (puisque les dommages lors du transport ne sont pas couverts par la garantie). Indiquez sur l'extérieur de votre colis « ATTENTION SERVICE À LA CLIENTÈLE ».

Shark et Rocket sont des marques déposées de SharkNinja Operating LLC.

NOTES



Shark®

**WE WANT TO HEAR
FROM YOU!**

**NOUS VOULONS VOUS
ENTENDRE!**


**JOIN THE
CONVERSATION**

**PARTICIPER À LA
CONVERSATION**

**WATCH AND LEARN
MORE**

**REGARDER ET
APPRENDRE PLUS**

 www.sharkrocketpowerhead.com

 1.800.798.7398



@sharkcleaning



youtube.com/shark

SharkNinja Operating LLC

Newton, MA USA 02459

Ville St. Laurent, Québec Canada H4S 1A7

For Shark | Ninja U.S. Patent information visit <http://www.sharkninja.com/USPatents>

Pour des renseignements sur les brevets de Shark | Ninja aux É.-U., veuillez visiter <http://www.sharkninja.com/USPatents>

AH400C_26_E_F_IB_150820_1

© 2015 SharkNinja Operating LLC

Printed in China / Imprimé en Chine

Illustrations may differ from actual product. We are constantly striving to improve our products, therefore the specifications contained herein are subject to change without notice.

Les illustrations peuvent différer du produit réel. Nous essayons constamment d'améliorer nos produits, donc les clauses contenues dans ce document peuvent changer sans préavis.

 www.sharkrocketpowerhead.com  1.800.798.7398