

# ***Shark***<sup>®</sup> **ROTATOR**<sup>®</sup>

Model/Modèle/Modelo  
NV683



[www.PoweredLiftAway.com](http://www.PoweredLiftAway.com)



1.800.798.7398

## Contents

Getting to Know Your Shark Rotator® Lift-Away™ Speed .....	3
Assembly .....	4
Upright Cleaning .....	5
What Does the Brushroll Indicator Light Mean? .....	5
Above Floor Cleaning .....	6
Changing Floor Nozzles .....	7
Powered Lift-Away Cleaning .....	8
Lift-Away Cleaning .....	8
Canister Cleaning .....	9
Maintenance .....	10
Emptying the Dust Cup .....	10
Cleaning the Filters .....	10
Checking for Blockages .....	11
Troubleshooting Guide .....	12
Warranty .....	12

## Contenu

Apprendre à connaître votre aspirateur Shark Rotator <sup>MD</sup> Powered Lift-Away <sup>MC</sup> Speed .....	14
Assemblage .....	15
Nettoyage vertical .....	16
Que signifient les couleurs du témoin de la brosse motorisée? .....	16
Nettoyage sur surface élevée .....	17
Changer les embouts pour plancher .....	18
Nettoyage motorisé Lift-Away .....	19
Nettoyage Lift-Away .....	19
Nettoyage du traîneau .....	20
Entretien .....	21
Vider le récipient à poussière .....	21
Nettoyer les filtres .....	21
Vérification des obstructions .....	22
Guide de dépannage .....	23
Garantie .....	23

## Índice

Partes de su Shark Rotator® Powered Lift-Away™ Speed .....	25
Armado .....	26
Limpieza en modo vertical .....	27
¿Qué significa la luz indicadora del cepillo motorizado? .....	27
Para limpiar por encima del piso .....	28
Para cambiar las boquillas para piso .....	29
Para limpiar con el Lift-Away motorizado .....	30
Limpieza con el Lift-Away .....	30
Limpieza en modo compacta .....	31
MANTENIMIENTO .....	32
Vaciado del recipiente de la tierra .....	32
Limpie los filtros .....	32
Verificación de obstrucciones .....	33
Guía de solución de problemas .....	34
Garantía .....	34

Thank you for  
purchasing the **Shark  
Rotator® Powered  
Lift-Away™ Speed.**

### TECHNICAL SPECIFICATIONS:

Voltage:	120V., 60Hz
Watts:	800W
Amps:	6.7A

Merci d'avoir fait  
l'achat de l'aspirateur  
**Shark Rotator<sup>MD</sup>  
Powered Lift-Away<sup>MC</sup>  
Speed.**

### SPÉCIFICATIONS TECHNIQUES :

Tension :	120V., 60Hz
Watts :	800W
Ampères :	6.7A

Gracias por haber  
comprado la aspiradora  
**Shark Rotator®  
Powered Lift-Away™  
Speed.**

### ESPECIFICACIONES TÉCNICAS :

Voltaje:	120V., 60Hz
Potencia :	800W
Amperes :	6.7A



# IMPORTANT SAFEGUARDS



**CAUTION: The Power nozzle, wand, and handle contain electrical connections:**

- These are not serviceable parts.
- Do not use to vacuum any liquids.
- Do not immerse in water when cleaning.
- If handle/wand is damaged, discontinue use.

When using an electrical appliance, basic safety precautions should always be observed, including the following:

## ! WARNING

**TO REDUCE THE RISK OF FIRE, ELECTRIC SHOCK OR INJURY:**

- 1 DO NOT use outdoors or on wet surfaces.
- 2 Unplug from electrical outlet when not in use and before servicing.
- 3 Inspect power cord or plug for any damage before use. DO NOT use vacuum cleaner with a damaged cord or plug.
- 4 If vacuum cleaner is not working as it should, has been dropped, damaged, left outdoors, or dropped into water, return it to SharkNinja Operating LLC for examination, repair, or adjustment.
- 5 The hose contains electrical wires. Do not use when damaged, cut or punctured.
- 6 DO NOT pull or carry vacuum cleaner by the cord or use the cord as a handle.
- 7 DO NOT unplug by pulling on cord; to unplug, grasp the plug, not the cord.
- 8 DO NOT handle plug or vacuum cleaner with wet hands.
- 9 DO NOT run the vacuum cleaner over the power cord, close a door on the cord or pull cord around sharp corners.
- 10 The use of an extension cord is not recommended.
- 11 DO NOT leave vacuum cleaner when plugged in.
- 12 Keep cord away from heated surfaces.
- 13 Turn off all controls before plugging or unplugging the vacuum cleaner.
- 14 Always turn off this appliance before connecting or disconnecting either the hose or motorized nozzle.
- 15 Store your vacuum cleaner with the power cord secured around the two cord holders.

### GENERAL USE

- 16 Use only as described in this manual.
- 17 DO NOT put any objects into openings. DO NOT use with any opening blocked; keep free of dust, lint, hair, and anything that may reduce air flow.
- 18 Keep your work area well lit.
- 19 Keep the vacuum cleaner moving over the carpet surface at all times to avoid damaging the carpet fibers.

- 20 DO NOT place vacuum cleaner on unstable surfaces such as chairs or tables.
- 21 DO NOT allow young children to operate the vacuum cleaner or use as a toy. Close attention is necessary when used near children.
- 22 DO NOT use without dust cup and/or filters in place.

### HOSE ATTACHMENTS

- 23 DO NOT use if air flow is restricted; if the air paths or the motorized floor nozzle become blocked, turn the vacuum cleaner off and unplug from electrical outlet. Remove all obstructions before you turn on the unit again.
- 24 Keep the end of the hose and accessory openings away from face and body.
- 25 Keep cleaning tools and hose suction openings away from hair, face, fingers, uncovered feet, or loose clothing.
- 26 Only use manufacturer's recommended attachments.

### DUST CUP/FILTERS/ACCESSORIES

Before turning on the vacuum:

- 27 Make sure that all filters are thoroughly dry after routine cleaning.
- 28 Make sure that dust cup and all filters are in place after routine maintenance.
- 29 Make sure accessories are free of blockages.
- 30 Only use filters and accessories provided by SharkNinja Operating LLC. [Failure to do so will void the warranty.]

### GENERAL CLEANING

- 31 DO NOT pick up large-sized objects.
- 32 DO NOT pick up hard or sharp objects such as glass, nails, screws or coins that could damage the vacuum cleaner.
- 33 DO NOT use to pick up drywall dust.
- 34 DO NOT pick up smoking or burning objects such as hot coals, cigarette butts, fireplace ash or matches.
- 35 DO NOT pick up flammable or combustible materials such as lighter fluid, gasoline, or kerosene or use vacuum in areas where they may be present.
- 36 DO NOT pick up toxic solutions such as chlorine bleach, ammonia, or drain cleaner.
- 37 DO NOT use in an enclosed space where vapors are present from paint, paint thinner, moth-proofing substances, flammable dust or other explosive or toxic materials.
- 38 DO NOT vacuum up any liquids.
- 39 DO NOT immerse vacuum cleaner in water or other liquids.
- 40 DO NOT use outdoors or on wet surfaces; use only on dry surfaces.
- 41 Use extra care when cleaning on stairs.
- 42 Remove brushroll from unit before rinsing.

# SAVE THESE INSTRUCTIONS

### POLARIZED PLUG

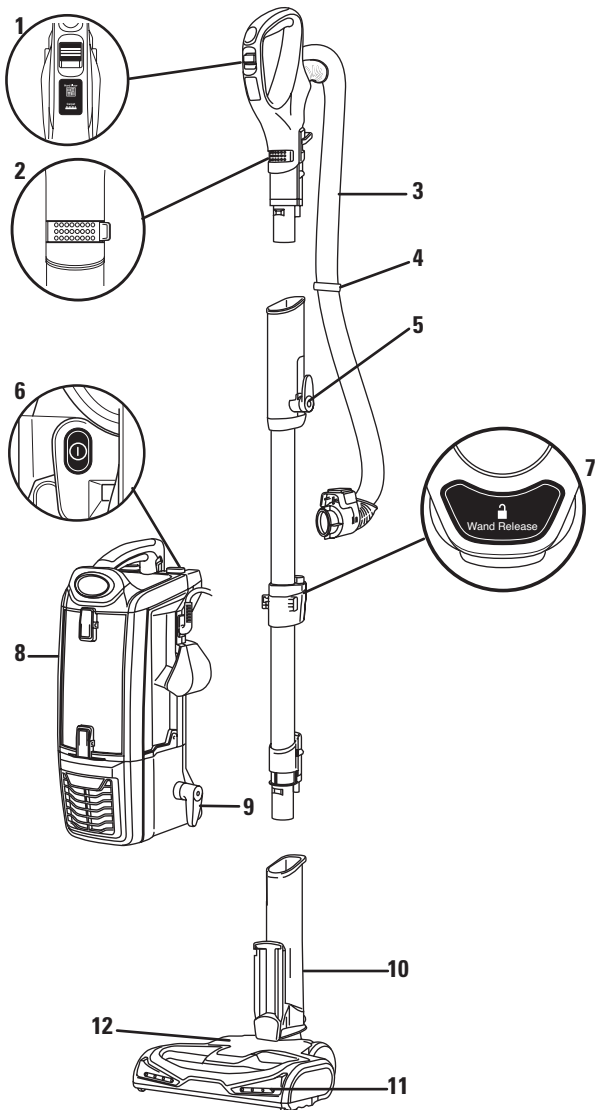
To reduce the risk of electric shock, this vacuum cleaner has a polarized plug (one blade is wider than the other). As a safety feature, this plug will fit into a polarized outlet only one way. If the plug does not fit fully into the outlet, reverse the plug. If it still does not fit, contact a qualified electrician. DO NOT force into outlet or try to modify to fit.

**FOR HOUSEHOLD USE ONLY**



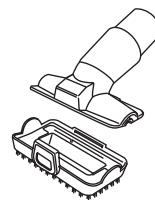
1.800.798.7398

## GETTING TO KNOW YOUR SHARK ROTATOR® POWERED LIFT-AWAY™ SPEED



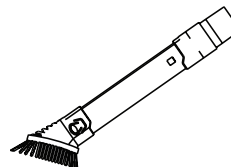
### UNITÉ PRINCIPALE

- |                               |                                   |
|-------------------------------|-----------------------------------|
| 1 Sélecteur de surface        | 7 Dégagement du tube              |
| 2 Contrôle d'aspiration       | 8 Corps de l'aspirateur Lift-Away |
| 3 Tuyau                       | 9 Crochet inférieur du cordon     |
| 4 Crochet du tuyau            | 10 Brosse à plancher motorisée    |
| 5 Crochet supérieur du cordon | 11 Voyants lumineux               |
| 6 Interrupteur d'alimentation | 12 Témoin de la brosse rotative   |



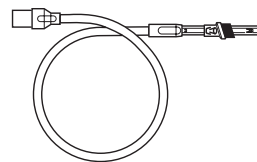
### Pet Multi-Tool 187FL1680

Two cleaning tools in one. The stiff bristle brush gets stuck-on debris off a multitude of surfaces. Remove the bristles to reveal an upholstery tool for removing stubborn pet hair from upholstery and more.



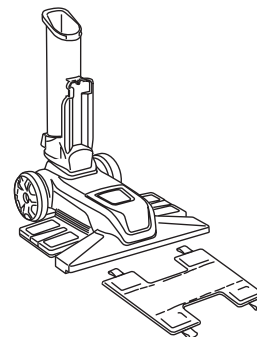
### Duster Crevice 189FL1680

Two cleaning tools in one. The crevice tool gives you extended cleaning reach for small spaces, while the dusting brush cleans a multitude of surfaces.



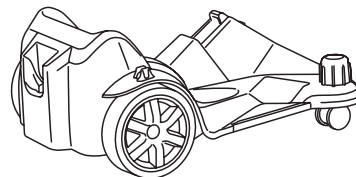
### Home & Car Detail Tool XCRT292

Extension tubes and micro tools to clean the tightest spaces.



### Dust Away™ Pro & Microfiber Pad XGEN680PB

Durable enough for big crumbs and debris, but gentle enough for the most delicate dusting on hard wood and tile floors.



### Canister Caddy XCY680PB

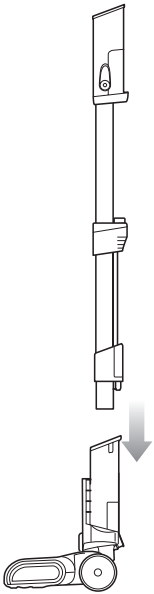
Transform your Rotator into a fully powered canister, giving you the freedom to roll the pod along while keeping cleaning tools close by.

**Looking for more accessories and replacement parts?**  
Check out [www.PoweredLiftAway.com](http://www.PoweredLiftAway.com) or call 1-800-798-7398.

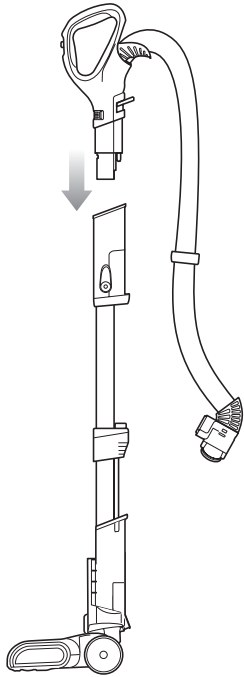


## ASSEMBLY

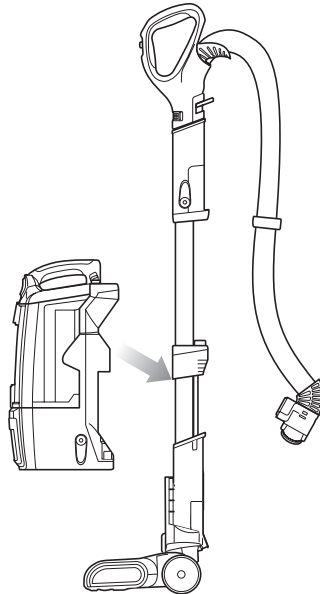
STEP 1



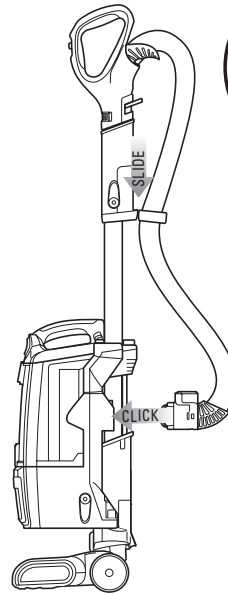
STEP 2



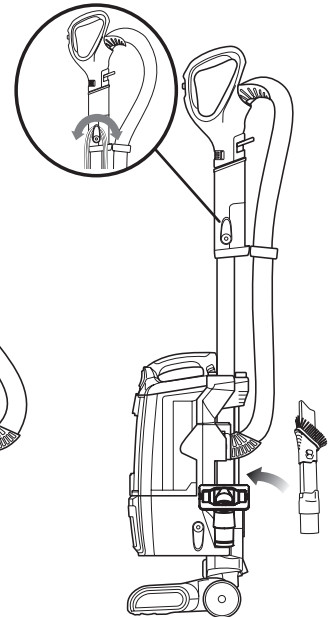
STEP 3



STEP 4



STEP 5



- 1 Place the selected floor nozzle on the floor and insert the wand.
- 2 Insert the handle into the wand.

- 3 Slide the pod onto the wand.
- 4 Slide the hose clip into the notch at the back of the wand.

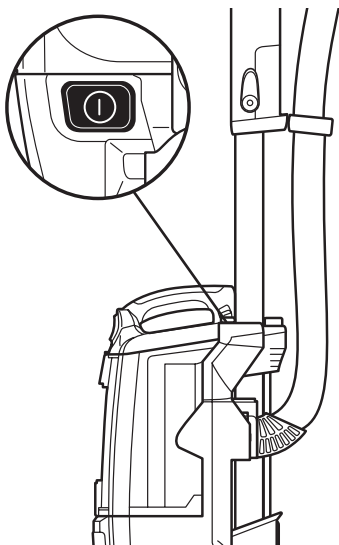
- 5 Insert the duster crevice and pet-multi tool into the accessory posts as shown.

**TIP:** For quick cord access, rotate upper hook down and remove cord. Rotate back for cord storage.

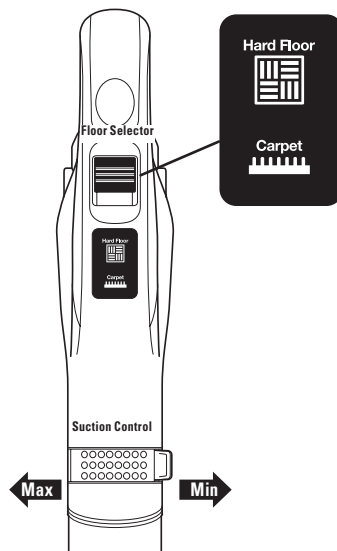
## UPRIGHT CLEANING

**NOTE:** DO NOT use to pick up drywall dust or fireplace ash.

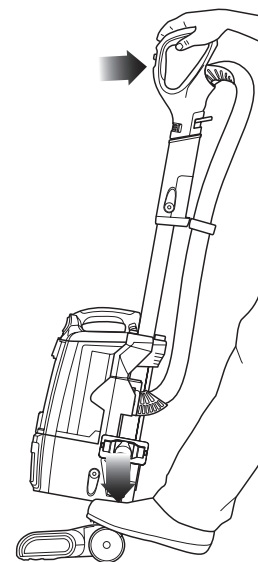
### STEP 1



### STEP 2



### STEP 3



**1** Plug in power cord into electrical outlet and press POWER button to turn vacuum on.

**2 Hard Floor Cleaning**  
Set Floor Selector to **Hard Floor** and Suction Control to **Max** for full suction or variable depending on user preference.

#### **Thick Carpet & Area Rugs Cleaning**

Set Floor Selector to **Carpet** and Suction Control to **Min** for reduced suction or variable depending on user preference.

#### **Carpet Cleaning**

Set Floor Selector to **Carpet** and Suction Control to **Max** for full suction or variable depending on user preference.

**NOTE:** For deep cleaning per ASTM F 608 (embedded dirt in carpets) please set to Carpet and Suction Control to **Max**.

**3** Place your left foot gently on the floor nozzle and tilt the handle back to start cleaning.  
**NOTE:** The brushroll will only spin once the vacuum is reclined back.

## WHAT DOES THE BRUSHROLL INDICATOR LIGHT MEAN?

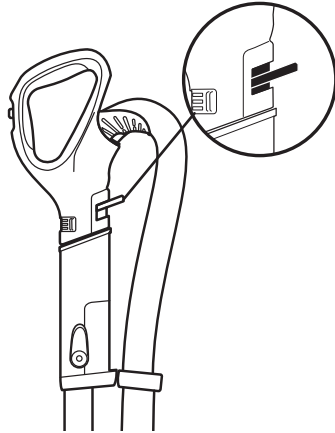
- **Solid Green:** The brushroll is on and working as it should.
- **Solid Red:** There is a jam in the brushroll area. Turn your vacuum off and remove the blockage.
- **\*Flashing Red:** The motorized floor nozzle is overheating. Turn your vacuum off and wait for it to cool down.  
\*See Troubleshooting section for further instructions.



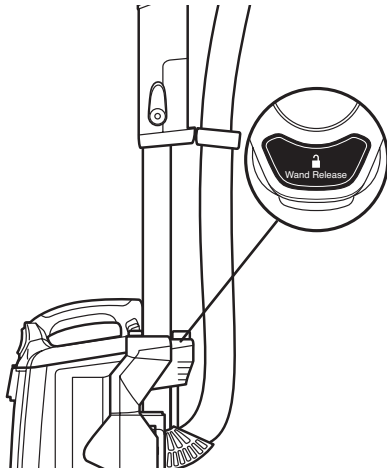
## ABOVE FLOOR CLEANING

**NOTE:** DO NOT use to pick up drywall dust or fireplace ash.

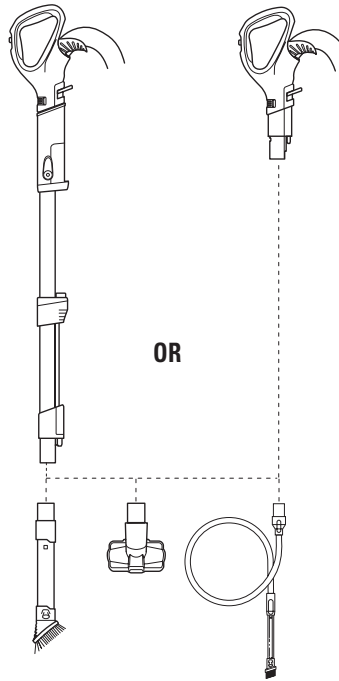
### STEP 1



OR

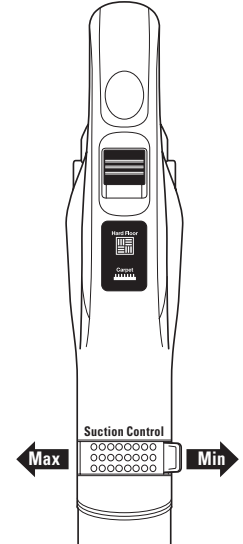


### STEP 2



OR

### STEP 3



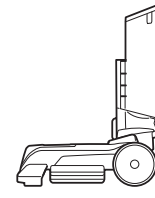
**1** For above floor cleaning with the hose, press the WAND or HANDLE release (depending on the amount of reach required) then lift handle up.

**2** Insert wand or handle directly into desired tool.

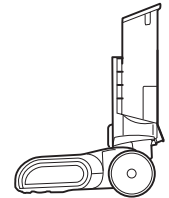
**3** This unit is equipped with SUCTION CONTROL to help when dusting delicate objects or drapery. Located at base of the handle, slide the SUCTION CONTROL tab to minimize suction. Be sure to close again for maximum suction.

## CHANGING FLOOR NOZZLES

Use the motorized floor nozzle for deep cleaning carpets and picking up large debris on hard floors. Use the Dust Away™ Pro to pick up debris and wipe away fine dust in one easy step.

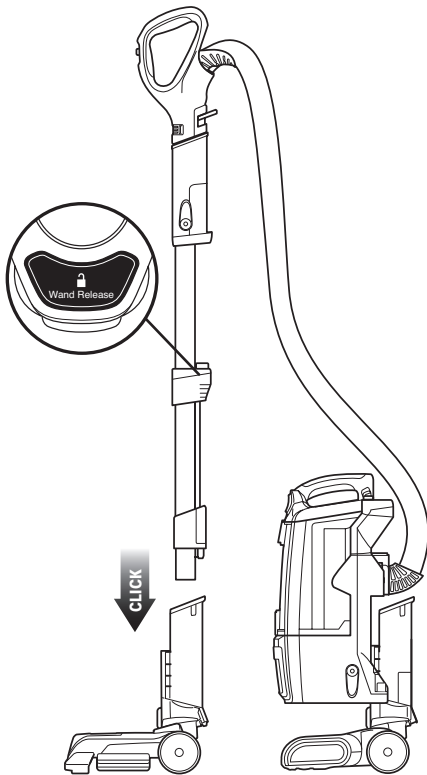


DUST AWAY PRO

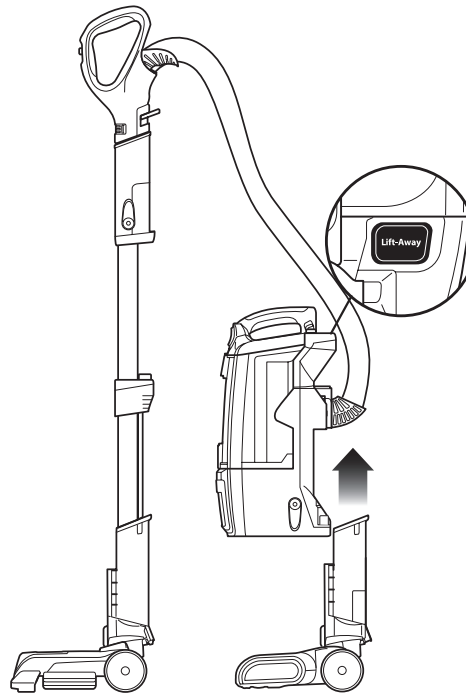


MOTORIZED FLOOR NOZZLE

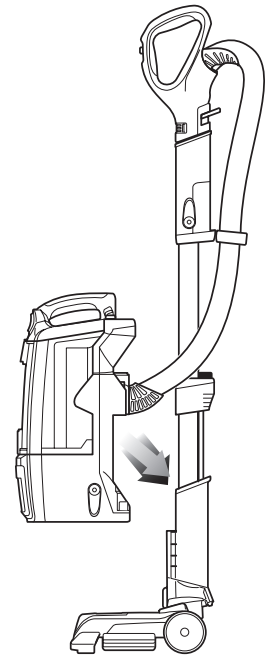
### STEP 1/STEP 2



### STEP 3



### STEP 4



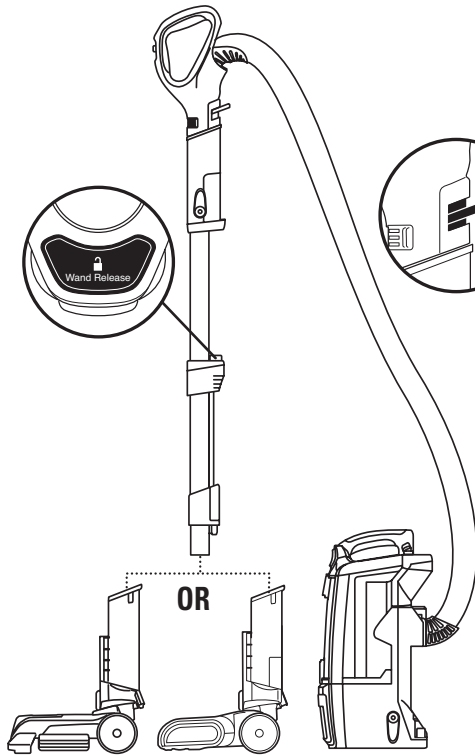
- 1 Press the WAND RELEASE button to remove the wand from the motorized floor nozzle.
- 2 Insert the wand into the Dust Away Pro.
- 3 Press the LIFT-AWAY button to lift the pod off the motorized floor nozzle.
- 4 Place the pod onto the wand and slide down to connect to the Dust Away™ Pro.

**NOTE:** For best results, ensure that the SUCTION CONTROL is set to MAX.

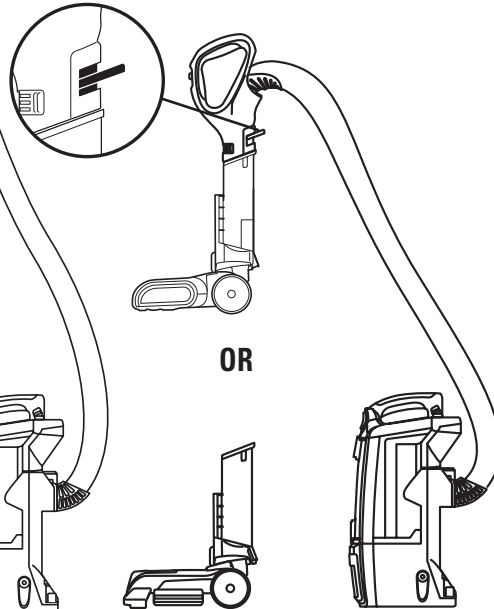




### STEP 1



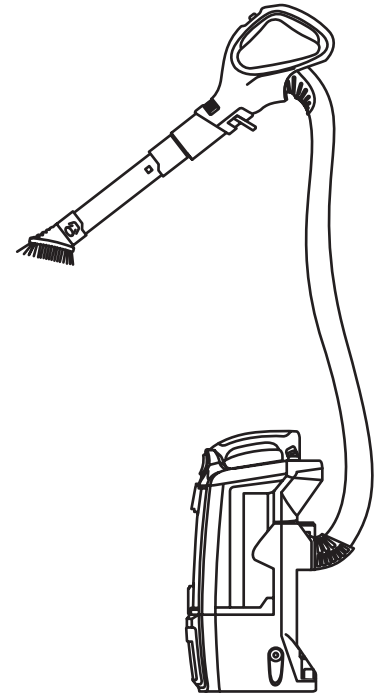
### STEP 2



- 1 Press LIFT-AWAY button to lift the pod off the floor nozzle.  
Insert the WAND into either the motorized floor nozzle or the Dust Away™ Pro.
- TIP:** Using the vacuum in Powered Lift-Away mode gives you extended reach for cleaning under furniture and in tight spaces.

- 2 Insert the HANDLE into either the motorized floor nozzle or the Dust Away™ Pro.
- TIP:** Attaching the HANDLE directly into the nozzles makes cleaning stairs easy.

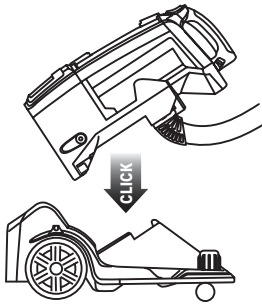
- 1 Attach the desired accessory directly into the HANDLE.
- TIP:** For an extended reach, attach the desired accessory into the WAND.



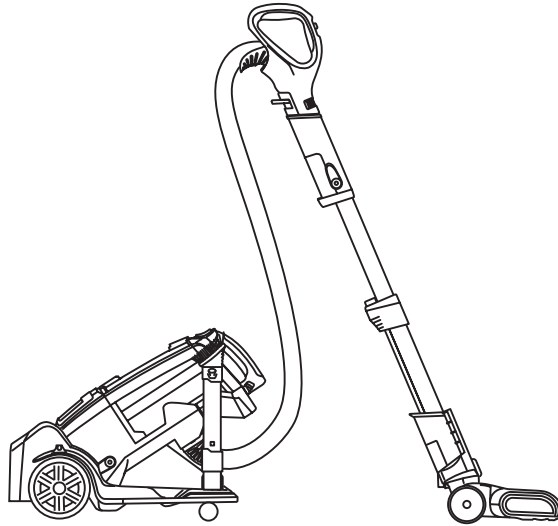
## CANISTER CLEANING

Convert your upright to a convenient canister

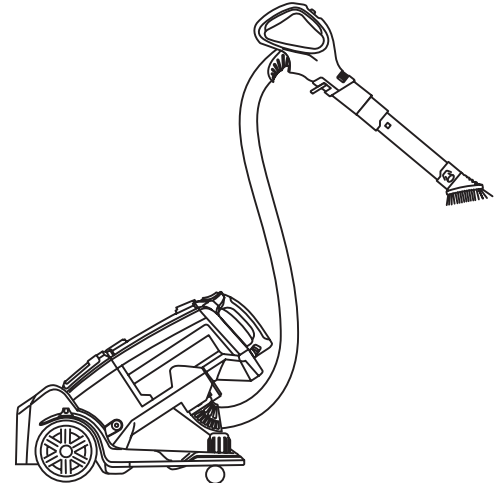
### STEP 1



### STEP 2



### STEP 3



- 1** From Lift-Away™ mode, place the pod onto the canister caddy. **2** Cleaning in POWERED Lift-Away™ mode allows you to still use the motorized floor nozzle.

**NOTE:** To release pod from canister caddy, press LIFT-AWAY and lift up.

- 3** Press the WAND RELEASE or HANDLE RELEASE button. Lift the handle up and attach preferred accessory.

**TIP:** Use the posts on the canister caddy to store additional cleaning accessories.



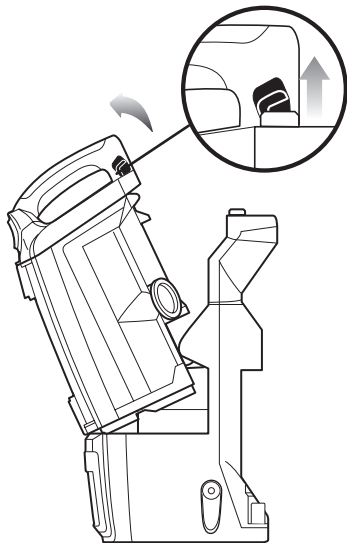
## MAINTENANCE

To keep your vacuum's suction power optimal, follow these instructions.

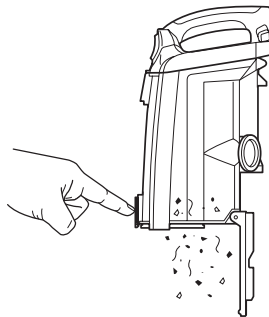
Make sure unit is off and cord unplugged.

**IMPORTANT:** Allow ALL filters to dry completely before replacing into the vacuum.

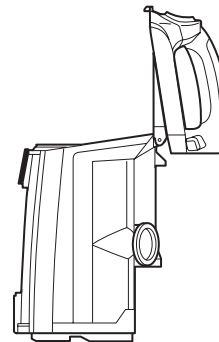
### STEP 1



### STEP 2



### STEP 3



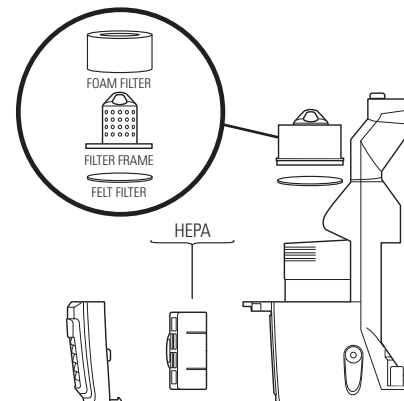
## EMPTY THE DUST CUP

- 1 Pull up on the dust cup release latch and lift the dust cup off the pod.
- 2 Holding the dust cup over a garbage bag or can, press the bottom empty release latch.
- 3 Press the top dust cup release latch to access the dust screen and remove built-up debris as required.

## CLEAN THE FILTERS

- 1 With the dust cup removed, remove and rinse the foam and felt filters every 3 months. Let air dry completely before replacing. Hand wash only. Tap loose dirt off filters between washes as needed.
- 2 Once a year open the filter grill and remove and rinse the HEPA filter. Let air dry completely before replacing. Hand wash only.

**⚠️ IMPORTANT: DO NOT PICK UP FIREPLACE ASH OR DRYWALL DUST.**



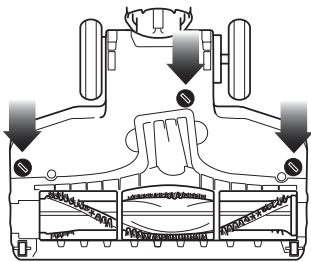
### RECOMMENDED FILTER CLEANING SCHEDULE:

Pre-motor Filter Kit (Foam & Felt): <b>XFF680</b>	Every 3 months
Post Motor Filter: <b>XHF680</b>	Every year

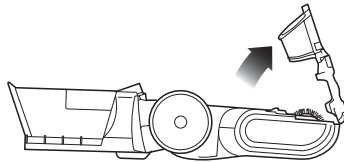
## MAINTENANCE

To keep your vacuum's suction power optimal, follow these instructions. Make sure unit is off and cord unplugged.

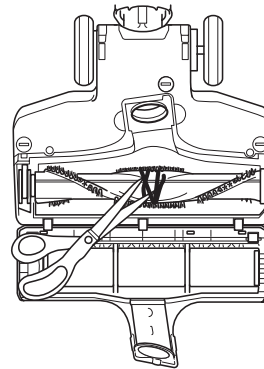
### STEP 1



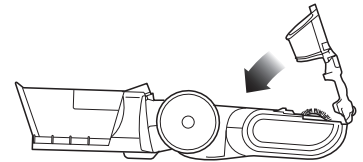
### STEP 2



### STEP 3



### STEP 4



## CHECK FOR BLOCKAGES

- 1 Use a coin to unlock the 3 locks on the bottom of the floor nozzle.
- 2 A portion of the base is removable to allow for better access to the brushroll and exposure to the airway. Shine a flashlight from the bottom to check for possible blockage in the airway.
- 3 Remove any string, carpet fibers or hair that may be wrapped around the brushroll. There is a groove on the brush bar that allows a pair of scissors to cut across it to loosen up the debris.
- 4 To reassemble, replace base by lining it up along the front of the nozzle. Push down to snap into place. Lock the 3 locks.

## TROUBLESHOOTING GUIDE

Customer Service: 1-800-798-7398

### Vacuum is not picking up dirt. No suction or light suction

- Check filters to see if they need cleaning. Follow instructions for rinsing and drying the filters before re-inserting back into the vacuum.
- Dust cup may be full; empty dust cup.
- Check hose, hose connections, nozzles, and accessories for blockages; clear blockages if required.
- Remove any string, carpet fibers or hair that may be wrapped around the brushroll.

### Vacuum lifts area rugs

- Turn off the unit to disengage the brushroll and restart with the POWER button for suction only cleaning.
- Suction is powerful. Take care when vacuuming area rugs or rugs with delicately sewn edges.
- Turn off the unit and disengage the area rug from the brushroll and restart the unit.

### Brushroll does not spin

- If brushroll indicator light on the floor nozzle turns red, the brushroll has stopped spinning. Immediately turn off and unplug vacuum, disconnect the nozzle and remove blockage before reconnecting and turning vacuum back on.
- Pull the handle toward you and release the floor nozzle to disengage the auto-off feature.
- Make sure that the carpet height selector is not on the HARD FLOOR setting.
- Immediately turn off and unplug vacuum, disconnect the nozzle and remove blockage before reconnecting and turning vacuum back on.

### Vacuum turns off on its own or indicator light flashes red

- This vacuum cleaner is equipped with a motor protective thermostat. If for some reason your vacuum overheats, the thermostat will automatically turn the suction motor off. Should this occur, perform the following steps to restart the thermostat:
  1. Turn the unit off.
  2. Unplug the vacuum.
  3. Empty the dust cup and clean filters (see page previous page)
  4. Check for blockages in hose, accessories and inlet openings.
  5. Allow the unit to cool for a minimum of 45 minutes.
  6. Plug in the vacuum.
  7. Restart the unit by turning the power on.

Note: If vacuum still does not start, contact Customer Service at: 1-800-798-7398.

---

## SEVEN-YEAR (7) LIMITED WARRANTY

SharkNinja Operating LLC warrants this product to be free from material defects and workmanship for a period of seven (7) years from the date of purchase when utilized for normal household use, subject to the following conditions, exclusions and exceptions.

The liability of SharkNinja Operating LLC is limited solely to the cost of the repair or replacement of the unit at our option. This Limited Warranty does not cover normal wear of parts and does not apply to any unit that has been tampered with or used for commercial purposes. This Limited Warranty does not cover damage caused by misuse, abuse, negligent handling or damage due to faulty packaging or mishandling in transit. This Limited Warranty does not cover damage or defects caused by or resulting from damages from shipping or repairs, service or alteration to the product or any of its parts, which have been performed by a repair person not authorized by SharkNinja Operating LLC.

If your appliance fails to operate properly while in use under normal household conditions within the warranty period, you may return the complete appliance and accessories with proof of purchase and date, freight prepaid. For assistance with warranty service options or customer support, please call our customer care and product specialists at 1-800-798-7398 or visit our website at [www.PoweredLiftAway.com](http://www.PoweredLiftAway.com).

If the appliance is found by SharkNinja Operating LLC to be defective, in SharkNinja Operating LLC's sole discretion, we will repair or replace it free of charge. Proof of purchase is required and a fee of \$19.95 will apply to cover the cost of return freight.\*

Non-durable parts including, without limitation, filters, brushes and electrical parts which normally require replacement are specifically excluded from warranty.

This Limited Warranty is extended to the original purchaser of the unit and excludes all other legal, implied and/or conventional warranties. The responsibility of SharkNinja Operating LLC if any, is limited to the specific obligations expressly assumed by it under the terms of this Limited Warranty. In no event is SharkNinja Operating LLC liable for incidental or consequential damages to anyone of any nature whatsoever. Some states do not permit the exclusion or limitation of incidental or consequential damages, so the above may not apply to you.

This Limited Warranty gives you specific legal rights, and you may also have other rights which vary from state to state or province to province.

\*IMPORTANT: Carefully pack item to avoid damage in shipping. Be sure to include proof of purchase date and to attach a tag to item before packing including your name, complete address and phone number with a note giving purchase information, model number and what you believe is the problem with the item. We recommend you insure the package (as damage in shipping is not covered by your warranty). Mark the outside of your package "ATTENTION CUSTOMER SERVICE".

SharkNinja, Shark and Rotator are registered trademarks of SharkNinja Operating LLC.  
Lift-Away and Dust-Away are trademarks of SharkNinja Operating LLC.



# MESURES DE PROTECTION IMPORTANTES



**MISE EN GARDE : Le bout motorisé, le tuyau et la poignée contiennent des connexions électriques :**

- Il n'y a aucune pièce pouvant faire l'objet d'un entretien ou d'une réparation.
- N'utilisez pas l'appareil pour aspirer tout liquide.
- Ne plongez pas l'appareil dans l'eau lors de son nettoyage.
- Si le tuyau ou la poignée s'endommagent, arrêtez d'utiliser l'aspirateur.

Lorsque vous utilisez un appareil électrique, des précautions concernant la sécurité doivent toujours être observées, incluant celles qui suivent :



## AVERTISSEMENT

**POUR RÉDUIRE LE RISQUE D'INCENDIE, DE CHOCS ÉLECTRIQUES OU DE BLESSURES :**

- 1 N'UTILISEZ PAS à l'extérieur ou sur des surfaces mouillées.
- 2 Débranchez l'aspirateur de la prise de courant lorsqu'il n'est pas utilisé et avant tout entretien.
- 3 Inspectez le cordon ou la fiche électrique pour tout dommage avant d'utiliser l'aspirateur. N'UTILISEZ PAS l'aspirateur si le cordon ou la fiche est endommagée.
- 4 Si l'aspirateur ne fonctionne pas comme il se doit, a été échappé, endommagé, laissé à l'extérieur ou bien échappé dans l'eau, veuillez le retourner à SharkNinja Operating LLC pour un examen, une réparation ou un ajustement.
- 5 Le tuyau contient des fils électriques. N'utilisez pas l'appareil si le tuyau est endommagé, coupé ou percé.
- 6 NE TIREZ PAS ou NE TRANSPORTEZ PAS l'aspirateur par le cordon d'alimentation et n'utilisez pas celui-ci comme une poignée.
- 7 NE le DÉBRANCHEZ PAS en tirant sur le cordon d'alimentation. Pour le débrancher, agrippez la fiche et non le cordon.
- 8 NE MANIPULEZ PAS la fiche d'alimentation électrique ou l'aspirateur avec des mains humides.
- 9 NE PASSEZ PAS l'aspirateur par-dessus le cordon d'alimentation. Ne fermez pas une porte sur le cordon et ne le faites pas passer sur des coins pointus.
- 10 L'utilisation d'une rallonge électrique n'est pas recommandée.
- 11 NE LAISSEZ PAS l'aspirateur sans surveillance lorsqu'il est branché.
- 12 Gardez le cordon éloigné des surfaces chaudes.
- 13 Fermez toutes les commandes avant de brancher ou débrancher l'aspirateur.
- 14 Veuillez toujours mettre cet appareil hors tension avant de brancher ou de débrancher le tuyau ou l'accessoire motorisé.
- 15 Rangez votre aspirateur avec le cordon d'alimentation bien enroulé autour des deux supports à cordon.

### UTILISATION GÉNÉRALE

- 16 Utilisez seulement de la façon indiquée dans ce manuel.
- 17 N'INSÉREZ PAS d'objets dans les ouvertures. N'UTILISEZ PAS si des ouvertures sont bouchées; assurez-vous qu'il n'y a pas de poussière, de charpie, de cheveux et tout autre objet pouvant réduire le débit d'air.
- 18 Veuillez garder votre zone de travail bien éclairée.

- 19 L'aspirateur doit toujours être en mouvement sur le tapis afin d'éviter d'endommager les fibres.
- 20 NE PLACEZ PAS l'aspirateur sur des surfaces instables telles que des chaises ou des tables.
- 21 NE LAISSEZ PAS les jeunes enfants utiliser l'aspirateur ou l'utiliser comme un jouet. Une attention particulière doit être portée lorsqu'il est utilisé près des enfants.
- 22 N'UTILISEZ PAS l'aspirateur si le récipient à poussière ou les filtres ne sont pas en place.

### ACCESSOIRES POUR BOYAU

- 23 N'UTILISEZ PAS l'aspirateur si le débit d'air est restreint. Si les conduits d'air ou le bout motorisé sont obstrués, éteignez l'aspirateur et débranchez-le de la prise électrique. Retirez toutes les obstructions avant de remettre l'appareil en marche.
- 24 Tenez éloigné de votre visage et votre corps, le tuyau et les ouvertures pour accessoires.
- 25 Gardez les outils de nettoyage et les orifices d'aspiration éloignés de vos cheveux, de votre figure, de vos doigts, de vos pieds nus ou de vêtements amples.
- 26 N'utilisez que les accessoires recommandés par le fabricant.

### RÉCIPIENT À POUSSIÈRE / FILTRES / ACCESSOIRES

Avant de mettre l'aspirateur en marche :

- 27 Assurez-vous que les filtres sont complètement secs après le nettoyage de routine.
- 28 Après avoir effectué l'entretien de routine, assurez-vous que le récipient à poussière et tous les filtres sont bien en place.
- 29 Assurez-vous que les accessoires sont libres de toute obstruction.
- 30 Utilisez seulement les filtres et accessoires fournis par SharkNinja Operating LLC. [À défaut de quoi, la garantie sera annulée.]

### NETTOYAGE GÉNÉRAL

- 31 NE RAMASSEZ PAS de gros objets.
- 32 NE RAMASSEZ pas de gros objets ou des objets pointus comme du verre, des clous, des vis ou de la monnaie lesquels pourraient endommager l'aspirateur.
- 33 N'UTILISEZ PAS l'aspirateur pour ramasser de la poussière de cloison sèche.
- 34 NE RAMASSEZ PAS d'objets fumants ou brûlants comme des charbons chauds, des cendres chaudes, des bouts de cigarettes ou des allumettes.
- 35 NE RAMASSEZ PAS de liquides inflammables ou combustibles tels que de l'essence à briquets, du carburant, du kérosène ou n'utilisez pas l'aspirateur dans des endroits où ces produits peuvent être présents.
- 36 NE RAMASSEZ PAS de solutions toxiques telles que de l'eau de javel, de l'ammoniac ou du nettoyeur à drains.
- 37 N'UTILISEZ PAS dans des endroits clos où il y a des vapeurs provenant de la peinture, des diluants à peinture, des substances antimites, de la poussière inflammable ou tout autre matériel explosif ou toxique.
- 38 NE PASSEZ PAS l'aspirateur sur aucun liquide.
- 39 NE PLONGEZ PAS l'aspirateur dans l'eau ou tout autre liquide.
- 40 N'UTILISEZ PAS à l'extérieur ou sur des surfaces mouillées; utilisez uniquement sur des surfaces sèches.
- 41 Faites très attention lors du nettoyage de l'escalier.
- 42 Retirez la brosse de l'aspirateur avant de la rincer.

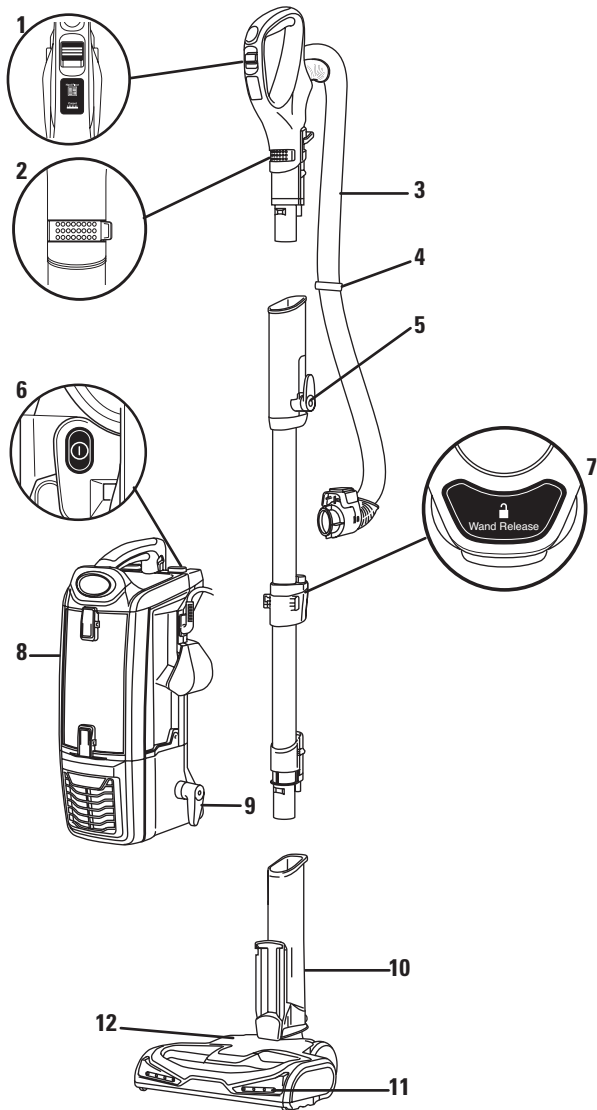
# CONSERVEZ CES INSTRUCTIONS

## FICHE POLARISÉE

Pour réduire le risque de chocs électriques, cet aspirateur possède une fiche polarisée (une lame est plus large que l'autre). Par mesure de sécurité, cette fiche ne peut être insérée que d'un seul côté dans une prise polarisée. Si la fiche ne s'insère pas complètement dans la prise de courant, inversez-la. Si cela ne fonctionne toujours pas, contactez un électricien qualifié. NE FORCEZ PAS ou ne modifiez pas la fiche pour la brancher dans une prise de courant.

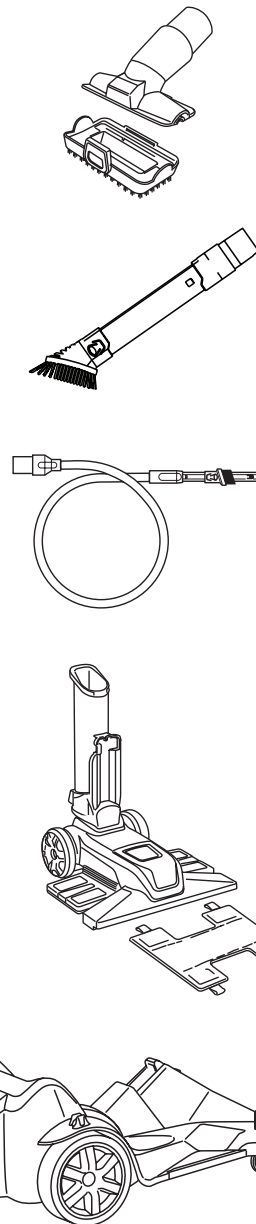


## APPRENDRE À CONNAÎTRE VOTRE ASPIRATEUR SHARK ROTATOR<sup>MD</sup> POWERED LIFT-AWAY<sup>MC</sup> SPEED



### UNIDAD PRINCIPAL

- |                                              |                                              |
|----------------------------------------------|----------------------------------------------|
| 1 Selector de superficie                     | 7 Liberación del tubo                        |
| 2 Control de succión                         | 8 Módulo Lift-Away                           |
| 3 Manguera                                   | 9 Gancho inferior para cable de alimentación |
| 4 Abrazadera de la manguera                  | 10 Cabezal eléctrico para pisos              |
| 5 Gancho superior para cable de alimentación | 11 Focos                                     |
| 6 Llave de encendido                         | 12 Luz indicadora del cepillo rotativo       |



### Outil multiple d'animal domestique 187FL1680

Deux outils de nettoyage en un. La brosse à poils raides devient coincée sur les débris d'une multitude de surfaces. Retirez les poils pour dévoiler un outil spécialisé pour le nettoyage de poils d'animaux domestiques sur les articles rembourrés et plus encore.

### Suceur plat Duster Crevice 189FL1680

Deux outils de nettoyage en un. L'outil pour fentes vous donne une portée de nettoyage étendue pour les petits espaces, alors que la brosse de dépeussierage nettoie une multitude de surfaces.

### Ensemble de nettoyage complet pour la maison et l'automobile XCRDT292

Les tubes de rallonge et les micro-outils nettoient dans les endroits très restreints.

### Dust Away<sup>MC</sup> Pro et tampon en microfibres XGEN680PB

Assez durable pour les grosses miettes et débris, mais assez doux pour la plupart des poussières délicates sur le bois sur et les carreaux de planchers.

### Porte-traineau XCV680PB

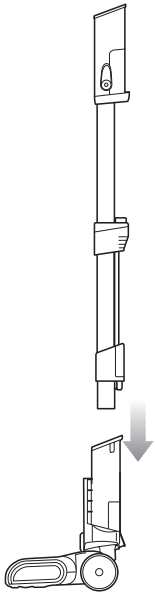
Transformez votre Rotator en un équipement complètement motorisé, vous offrant la liberté de faire rouler l'appareil à vos côtés tout en gardant tout près vos outils de nettoyage.

Recherchez-vous plus d'accessoires et des pièces de rechange?

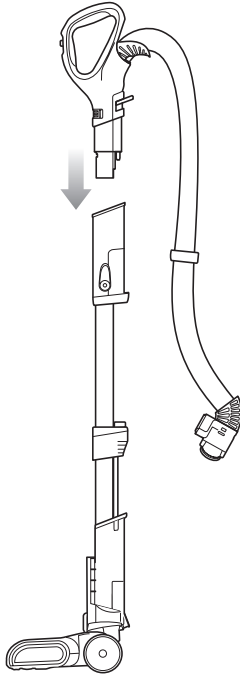
Commandez au [www.PoweredLiftAway.com](http://www.PoweredLiftAway.com) ou appelez-nous au 1 800 798-7398.

## ASSEMBLAGE

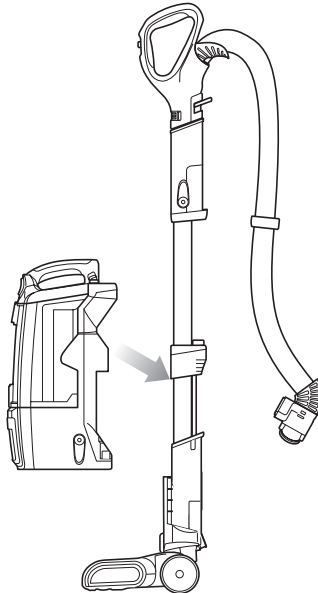
ÉTAPE 1



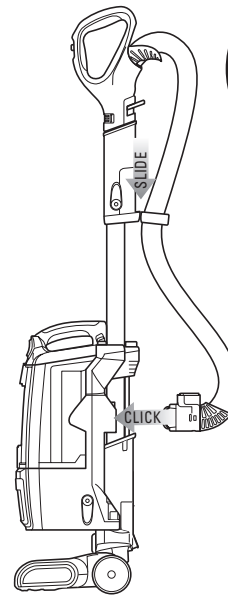
ÉTAPE 2



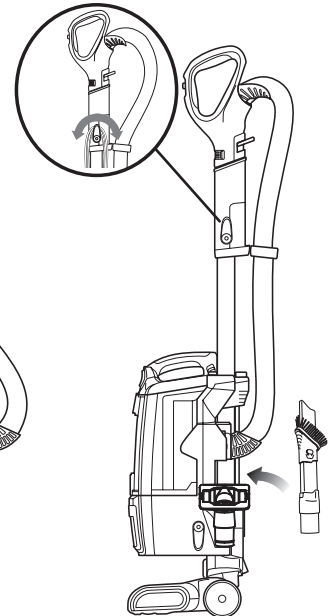
ÉTAPE 3



ÉTAPE 4



ÉTAPE 5



- 1 Placez le bout choisi pour planchers sur le plancher et insérez le tuyau.
- 2 Insérez la poignée dans le tuyau.

- 3 Glissez le corps de l'aspirateur dans le tuyau.
- 4 Glissez l'attache-tuyau dans la coche au dos du tuyau.

- 5 Insérez le suceur plat et l'accessoire polyvalent pour animaux domestiques dans les pinces de retenue pour accessoires comme illustré.

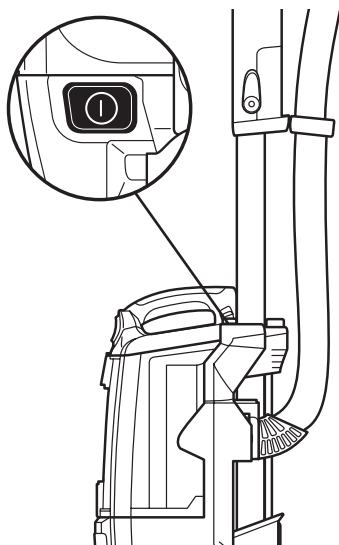
**CONSEIL :** Pour un accès rapide au cordon, tournez le crochet supérieur vers le bas et retirez le cordon. Retournez le crochet à sa position initiale pour ranger le cordon.



## NETTOYAGE VERTICAL

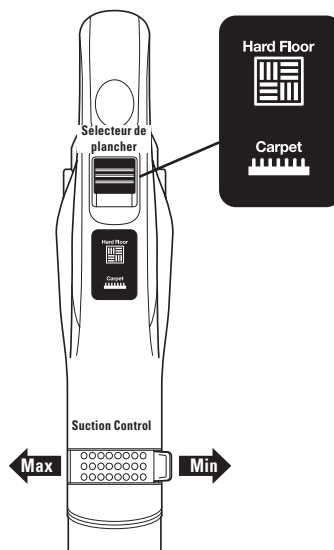
**REMARQUE :** N'UTILISEZ PAS l'aspirateur pour ramasser de la poussière de cloison sèche ou des cendres de cheminées.

### ÉTAPE 1



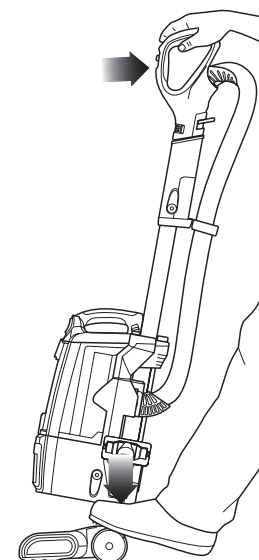
- 1 Branchez le cordon d'alimentation dans une prise électrique appuyez sur le bouton POWER pour mettre en marche l'aspirateur.

### ÉTAPE 2



- 2 **Nettoyage de plancher dur**  
Positionnez le Sélecteur de Planchers à **Plancher Dur** et le Contrôle d'aspiration à **Max** pour une aspiration totale ou variable selon vos préférences.
- Nettoyage de tapis épais et de petits tapis**  
Positionnez le Sélecteur de Planchers à **Tapis** et le Contrôle d'aspiration à **Min** pour une aspiration réduite ou variable selon vos préférences.
- Nettoyage de tapis**  
Positionnez le Sélecteur de Planchers à **Tapis** et le Contrôle d'aspiration à **Max** pour une aspiration totale ou variable selon vos préférences.
- REMARQUE :** Pour un nettoyage en profondeur selon la norme ASTM F-608 (saleté incrustée dans les tapis), veuillez positionner à Tapis avec le Contrôle d'aspiration à **Max**.

### ÉTAPE 3



- 3 Placez votre pied gauche légèrement sur l'embout pour plancher et basculez la poignée vers l'arrière pour débuter le nettoyage.
- REMARQUE :** La brosse à plancher tournera uniquement lorsque l'aspirateur est incliné vers l'arrière.

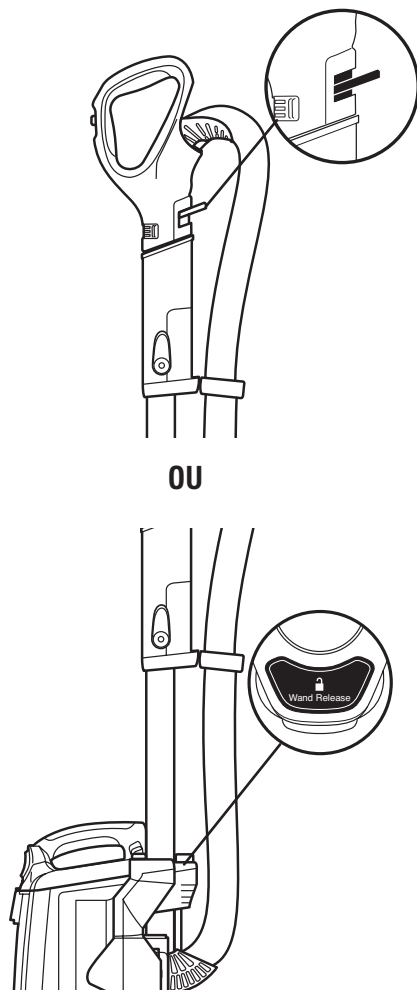
## QUE SIGNIFIENT LES COULEURS DU TÉMOIN DE LA BROSSÉ MOTORISÉE?

- **Vert, allumé en continu :** La brosse rotative est activée et fonctionne correctement.
- **Rouge, allumé en continu :** La brosse rotative est bloquée; éteignez l'aspirateur et éliminez le blocage.
- **\*Rouge, clignotant :** La brosse motorisée surchauffe; éteignez l'aspirateur et attendez que la brosse rotative refroidisse.  
\*Voir le Guide de Dépannage pour obtenir des instructions supplémentaires.

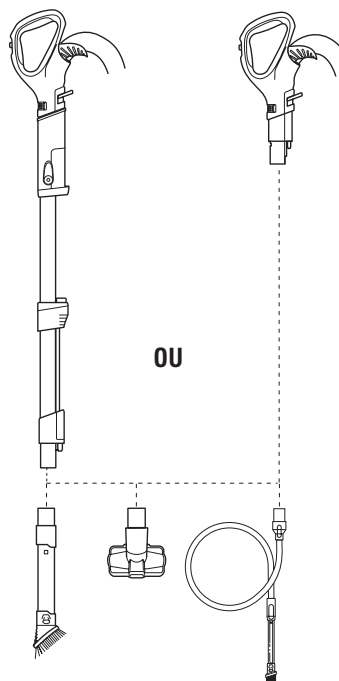
## NETTOYAGE SUR SURFACE ÉLEVÉE

REMARQUE : N'UTILISEZ PAS l'aspirateur pour ramasser de la poussière de cloison sèche ou des cendres de cheminées.

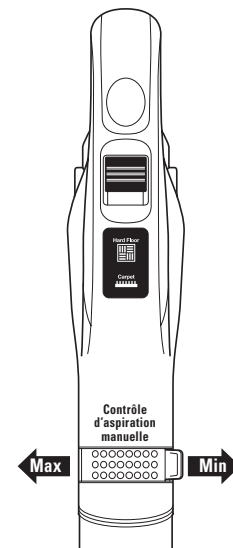
### ÉTAPE 1



### ÉTAPE 2



### ÉTAPE 3



1 Pour le nettoyer au-dessus du plancher avec le tuyau, appuyez sur le bouton de dégagement du tube ou de la poignée (selon la portée nécessaire), puis soulevez la poignée.

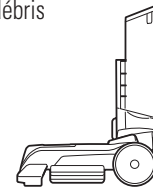
2 Insérez le tube ou la poignée directement dans l'accessoire désiré.

3 Cette unité est équipée avec un CONTRÔLE DE L'ASPIRATION pour aider lors du nettoyage d'objets délicats ou de tentures. Situé à la base de la poignée, glissez l'onglet de CONTRÔLE DE L'ASPIRATION pour réduire l'aspiration. Assurez-vous de le refermer pour une aspiration maximale.

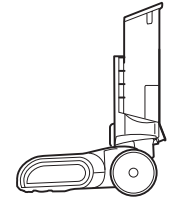
## CHANGER LES EMBOUTS POUR PLANCHER

Utilisez le bout motorisé pour planchers pour un nettoyage en profondeur des tapis et pour ramasser les gros débris sur les planchers durs.

Utilisez Dust Away<sup>MC</sup> Pro pour ramasser les débris et essuyez la poussière fine dans une étape simple.

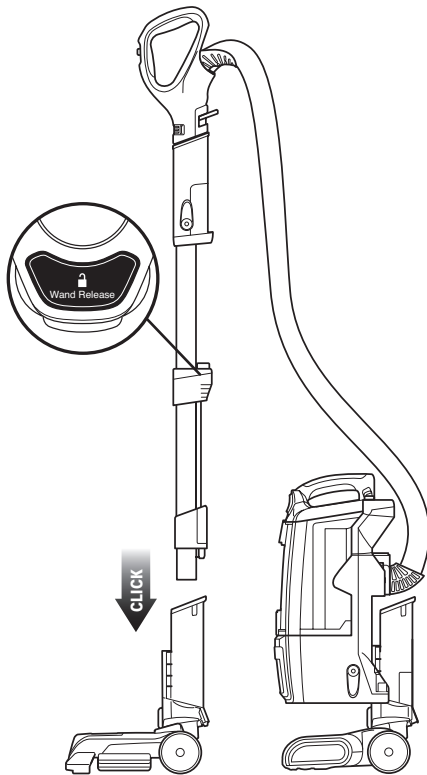


DUST AWAY PRO

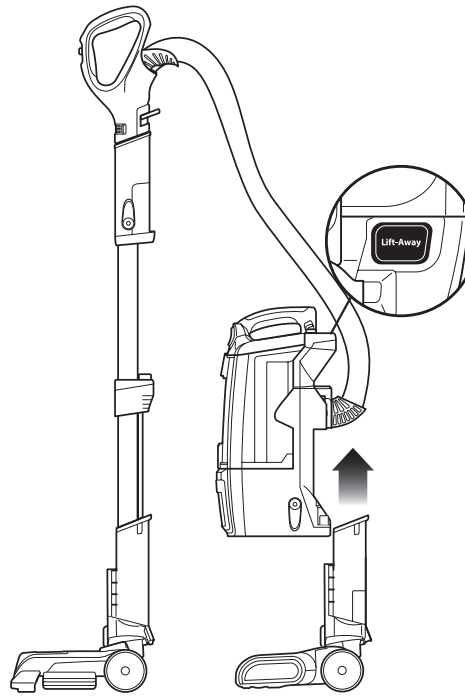


EMBOUT MOTORISÉ POUR PLANCHER

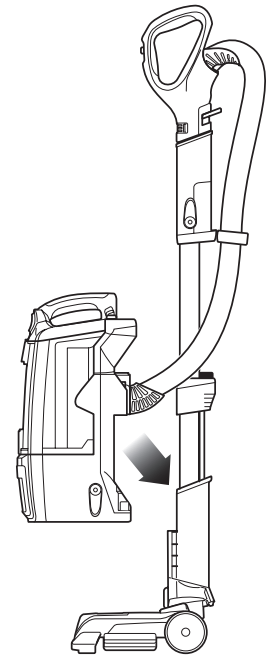
### ÉTAPE 1/ÉTAPE 2



### ÉTAPE 3



### ÉTAPE 4



- 1 Appuyez sur le bouton DÉGAGEMENT DU TUYAU pour retirer le tuyau de l'embout motorisé pour plancher.
- 2 Insérez le tuyau dans le Dust Away Pro.

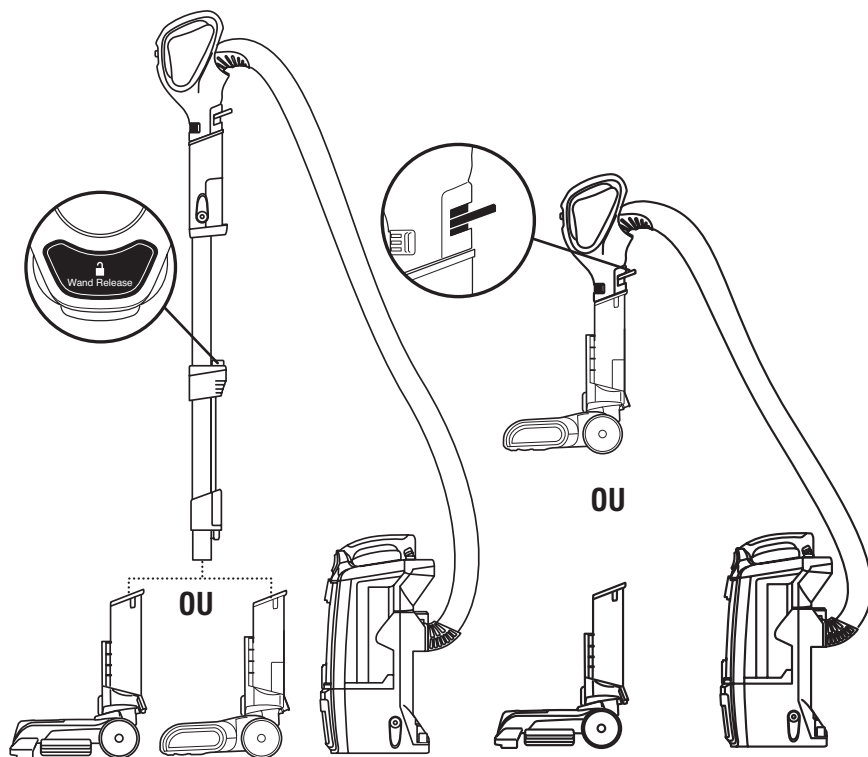
- 3 Appuyez sur le bouton LIFT-AWAY pour soulever le corps de l'aspirateur de l'embout motorisé pour plancher.

- 4 Placez le corps de l'aspirateur sur le tuyau et descendez-le pour le relier au Dust Away Pro.

**REMARQUE :** Pour de meilleurs résultats, assurez-vous que **CONTRÔLE DE L'ASPIRATION** est positionné à **MAX**.

### ÉTAPE 1

### ÉTAPE 2



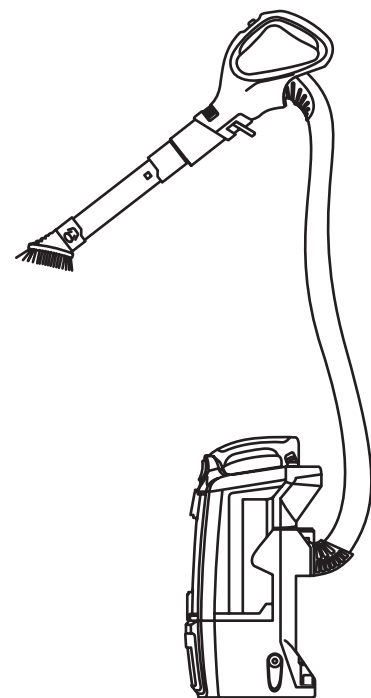
- 1 Appuyez sur le bouton LIFT-AWAY pour soulever le corps de l'aspirateur de l'embout pour plancher.

Insérez le TUBE dans soit l'embout motorisé pour planchers ou le Dust Away Pro.

**CONSEILS :** Utiliser l'aspirateur en mode Powered Lift-Away vous donne une plus longue portée pour nettoyer sous les meubles et dans les espaces restreints.

- 2 Insérez la POIGNÉE dans soit l'embout motorisé pour planchers ou le Dust Away Pro.

**CONSEILS :** Fixer la POIGNÉE directement dans les embouts rend facile le nettoyage des escaliers.



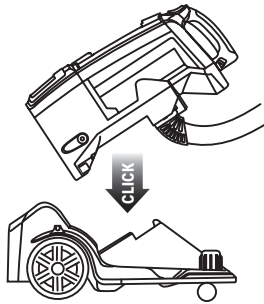
- 1 Fixez l'accessoire désiré directement dans la POIGNÉE.

**CONSEIL S :** Pour une plus longue portée, fixez l'accessoire désiré dans le TUYAU.

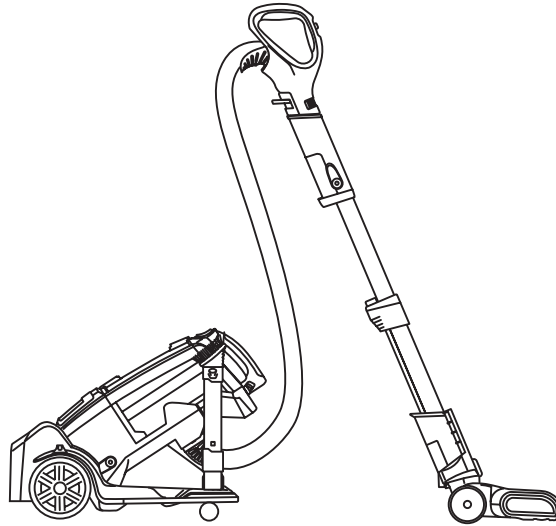
## NETTOYAGE DU TRAÎNEAU

Convertissez votre aspirateur vertical en aspirateur traîneau pratique

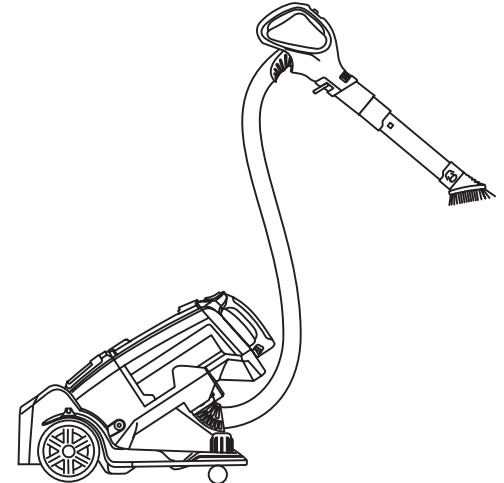
### ÉTAPE 1



### ÉTAPE 2



### ÉTAPE 3



- 1** À partir du mode Lift-Away<sup>MC</sup>, installez le corps de l'aspirateur sur le porte-traîneau.

**REMARQUE :** Pour relâcher le corps de l'aspirateur du porte-traîneau, appuyez sur LIFT-AWAY, et soulever.

- 2** Nettoyer en mode POWERED Lift-Away vous permet de continuer d'utiliser l'embout motorisé pour planchers.

- 3** Appuyez sur le bouton DÉGAGEMENT DU TUYAU ou DÉGAGEMENT DE LA POIGNÉE. Soulevez la poignée et fixez l'accessoire préféré.

**CONSEILS :** Utilisez les supports du porte-traîneau pour ranger des accessoires de nettoyage additionnels.

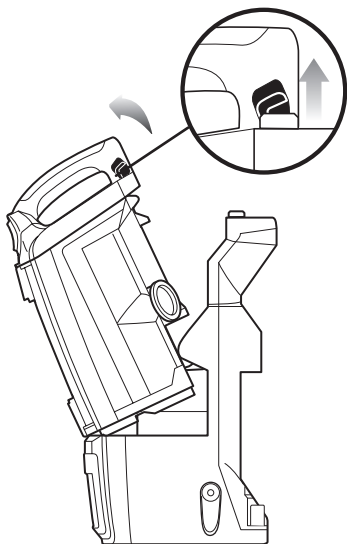
## ENTRETIEN

Pour conserver une puissance d'aspiration optimale de votre aspirateur, suivez ces instructions.

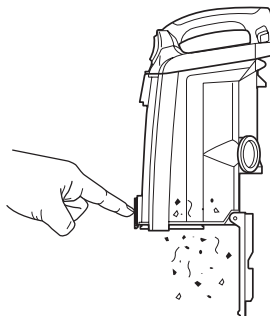
Assurez-vous que l'appareil soit éteint et le cordon débranché.

**IMPORTANT** : Permettez à TOUS les filtres de sécher complètement avant de les remettre dans l'aspirateur.

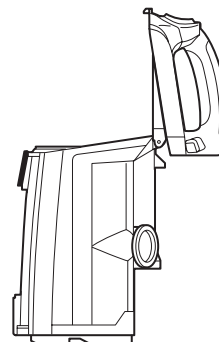
### ÉTAPE 1



### ÉTAPE 2



### ÉTAPE 3

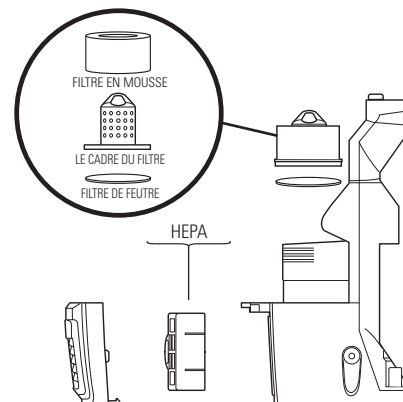


#### VIDER LE RÉCIPIENT À POUSSIÈRE

- 1 Tirez le loquet de dégagement du récipient à poussière et soulevez-le de la gousses.
- 2 Tenez le récipient à poussière au-dessus d'un sac à ordures ou une corbeille, puis appuyez le loquet de dégagement inférieur pour le vider.
- 3 Appuyez sur le loquet de dégagement supérieur pour accéder à l'écran anti poussière et enlevez les débris accumulés au besoin.

#### NETTOYER LES FILTRES

- 1 Avec le récipient à poussière enlevé, sortez et rincez le filtre en mousse et celui de feutre à tous les 3 mois. Laissez sécher à l'air libre complètement avant de le remettre dans l'aspirateur. Lavez uniquement à la main. Tapotez et secouez, au besoin, les filtres pour dégager la saleté entre les lavages.
  - 2 Une fois par année, ouvrez la grille du filtre, puis sortez et rincez le filtre HEPA. Laissez sécher à l'air libre complètement avant de le remettre dans l'aspirateur. Lavez uniquement à la main.
- ⚠ IMPORTANT : NE RAMASSEZ PAS DE CENDRES DE CHEMINÉES OU DE POUSSIÈRES DE CLOISONS SÈCHES.**



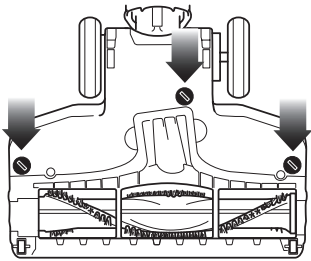
#### HORAIRE RECOMMANDÉ POUR LE NETTOYAGE DES FILTRES :

Ensemble de filtre avant-moteur (mousse et feutre) :	<b>XFF680</b>	Chaque 3 mois
Filtre après-moteur :	<b>XHF680</b>	Chaque an

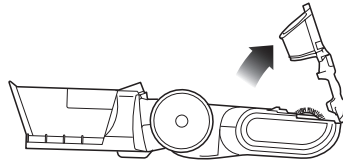
## ENTRETIEN

Pour conserver une puissance d'aspiration optimale de votre aspirateur, suivez ces instructions. Assurez-vous que l'appareil soit éteint et le cordon débranché.

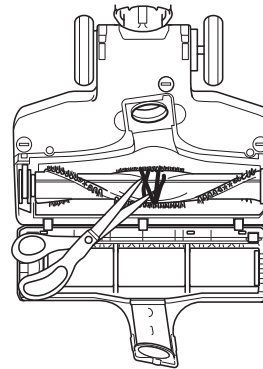
### ÉTAPE 1



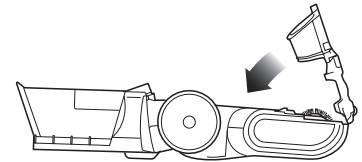
### ÉTAPE 2



### ÉTAPE 3



### ÉTAPE 4



## VÉRIFICATION DES OBSTRUCTIONS

- 1 Utilisez une pièce pour débloquer les 3 verrous au bas de l'embout pour planchers.
- 2 Une partie de la base est détachable pour permettre un meilleur accès à la brosse et une exposition à la conduite d'air. À l'aide d'une lampe de poche, illuminez le bas pour vérifier toute obstruction possible dans la conduite d'air.
- 3 Enlevez les fils, les fibres de tapis ou les cheveux qui peuvent être enroulés autour de la brosse. Il existe une rainure sur la barre de la brosse qui permet à une paire de ciseaux de couper au travers pour libérer les débris.
- 4 Pour assembler de nouveau, remplacez la base en l'alignant le long du devant de la buse. Poussez vers le bas pour encliqueter en place. Bloquez les trois verrous.

## GUIDE DE DÉPANNAGE

Service à la clientèle : 1-800-798-7398

**L'aspirateur ne ramasse pas la saleté.  
Aucune aspiration ou peu d'aspiration.**

- Vérifiez les filtres pour voir s'ils ont besoin d'être nettoyés. Suivez les instructions pour savoir comment rincer et sécher les filtres avant de les réinstaller dans l'aspirateur.
- Le récipient à poussière est peut-être plein; videz-le.
- Vérifiez le boyau, les connexions du boyau, les buses et les accessoires pour toutes obstructions; dégagez-les si nécessaire.
- Enlevez les fils, les fibres de tapis ou les cheveux qui peuvent être enroulés autour de la brosse.

**L'aspirateur soulève les petits tapis.**

- Éteignez l'appareil pour désengager la brosse à tapis et remettez l'appareil en marche en utilisant le bouton d'alimentation « POWER » pour un nettoyage avec aspiration uniquement.
- L'aspiration est puissante. Soyez prudent lorsque vous passez l'aspirateur sur des carpettes ou sur des tapis avec des bords à coutures délicates.
- Ouvrez le bouton de commande de l'aspiration sur l'embout pour plancher pour diminuer la force d'aspiration.

**La brosse à tapis ne tourne pas.**

- Si le voyant lumineux sur l'embout pour plancher de la brosse à tapis illumine rouge, la brosse à tapis a cessé de tourner. Éteignez immédiatement l'aspirateur, débranchez-le et enlevez l'obstruction. Rebranchez le cordon d'alimentation dans la prise de courant et mettez en marche l'aspirateur.
- Tirez la poignée vers vous et dégagez l'embout pour plancher pour désengager la fonction de fermeture automatique.
- Assurez-vous que le sélecteur de hauteur de tapis n'est pas à la position PLANCHER DUR.
- Mettez immédiatement l'aspirateur hors tension et débranchez-le; débranchez la buse et enlevez l'obstruction avant de brancher et de remettre l'aspirateur en marche.

**L'aspirateur s'éteint de lui-même ou le témoin de la brosse motorisée clignote en rouge.**

- Cet appareil est doté d'un thermostat de protection du moteur. Si pour quelque raison votre aspirateur surchauffait, le thermostat éteindrait automatiquement l'appareil. Si cela se produit, effectuez les étapes suivantes pour réinitialiser le thermostat du moteur :
  1. Éteignez l'aspirateur.
  2. Débranchez l'aspirateur.
  3. Videz le récipient à poussière et nettoyez les filtres.
  4. Vérifiez s'il y a des obstructions dans le boyau, dans les accessoires et dans les orifices d'entrée.
  5. Laissez refroidir l'appareil pendant au moins 45 minutes.
  6. Branchez l'aspirateur.
  7. Redémarrez l'appareil.

Remarque : si l'aspirateur ne démarre toujours pas, contactez le service à la clientèle au : 1 800 798-7398.

## GARANTIE LIMITÉE DE SEPT (7) ANS

SharkNinja Operating LLC garantit ce produit contre toute défectuosité de matériel ou de main-d'œuvre pour une période de sept (7) ans à compter de la date d'achat lors d'utilisation dans le cadre d'un usage domestique normal, sujet aux conditions, exclusions et exceptions suivantes.

La responsabilité de SharkNinja Operating LLC est limitée au coût de réparation ou de remplacement de l'appareil, à sa seule discrétion. Cette garantie limitée ne couvre pas l'usure normale des pièces et ne s'applique pas aux appareils ayant été altérés ou utilisés à des fins commerciales. Cette garantie limitée ne couvre pas les dommages causés par une mauvaise utilisation, l'abus, la négligence lors de la manipulation, un emballage inadéquat ou la mauvaise manipulation en transit. Cette garantie limitée ne couvre pas les dommages ou défauts causés par ou résultants du transport, des réparations, de l'entretien ou de l'altération du produit ou à ses pièces, effectués par un technicien non autorisé par SharkNinja Operating LLC.

Si votre appareil ne fonctionne pas comme il le devrait lors d'un usage domestique normal pendant la période de garantie, vous pouvez le retourner au complet avec ses accessoires, port payé. Pour obtenir de l'assistance avec les options du service de la garantie ou de l'assistance, veuillez appeler notre service à la clientèle et nos spécialistes de produits au 1-800-798-7398 ou visitez notre site Web à [www.PoweredLiftAway.com](http://www.PoweredLiftAway.com).

Si SharkNinja Operating LLC constate que l'appareil est défectueux, à la seule discrétion de SharkNinja Operating LLC, nous le réparerons ou le remplacerons sans frais. Une preuve d'achat est requise et un montant de 19,95 \$ est nécessaire pour couvrir les frais de retour.\*

Les accessoires d'usage courant incluant, mais sans s'y limiter, les filtres, les brosses et les pièces électriques qui nécessitent habituellement un remplacement sont spécifiquement exclus de la garantie.

Cette garantie limitée s'applique à l'acheteur original de l'appareil et exclut toutes les autres garanties juridiques, implicites ou conventionnelles. La responsabilité de SharkNinja Operating LLC, s'il y en a une, se limite aux obligations spécifiques exprimées sous cette garantie limitée. En aucun cas, SharkNinja Operating LLC ne peut être tenu responsable d'incidents ou de dommages indirects de toute nature que ce soit. Certains États ou provinces n'autorisent pas l'exclusion ou la limitation de dommages circonstanciels ou conséquents, dans ce cas, cette disposition ne s'appliquerait pas.

Cette garantie limitée vous confère des droits juridiques spécifiques, et d'autres droits légaux vous sont peut-être disponibles, variant d'un État à l'autre ou d'une province à l'autre.

\*IMPORTANT : Emballez soigneusement l'appareil pour éviter tout dommage lors du transport. Assurez-vous de joindre la preuve d'achat et d'attacher à l'appareil une étiquette mentionnant votre nom, adresse complète ainsi que le numéro de téléphone, de même que l'information concernant l'achat, le numéro de modèle et le problème, selon vous, de l'appareil. Nous vous recommandons d'assurer votre colis (puisque les dommages lors du transport ne sont pas couverts par la garantie). Indiquez sur l'extérieur de votre colis « ATTENTION SERVICE À LA CLIENTÈLE ».

SharkNinja, Shark et Rotator sont des marques déposées de SharkNinja Operating LLC.  
Lift-Away et Dust-Away sont des marques de commerce de SharkNinja Operating LLC.





# MEDIDAS IMPORTANTES DE SEGURIDAD



**CUIDADO: El cabezal eléctrico, el tubo y el mango contienen conexiones eléctricas:**

- No son partes reparables.
- No aspire ningún líquido.
- No los sumerja en agua al limpiarlos.
- Si el tubo o el mango están dañados, deje de usarlos.

Al usar aparatos eléctricos, siempre debe seguir precauciones básicas de seguridad, incluyendo las siguientes:



## ADVERTENCIA

**PARA REDUCIR EL RIESGO DE INCENDIO, DESCARGA ELÉCTRICA O DAÑOS PERSONALES:**

- 1 NO la utilice en el exterior o en superficies húmedas.
- 2 Desenchúfela del tomacorriente cuando no la utilice y antes de limpiarla.
- 3 Inspeccione el cable de alimentación o el enchufe por daños antes de usarla. NO use la aspiradora si el cable o el enchufe están dañados.
- 4 Si la aspiradora no funciona como debe, ha sufrido caídas, daños, se ha dejado en el exterior o caído en el agua, retórnela a SharkNinja Operating LLC para que sea examinada, reparada o ajustada.
- 5 La manguera contiene cables eléctricos. No la use si está dañada, cortada o pinchada.
- 6 NO arrastre o transporte la aspiradora tirando del cable ni use el cable como un mango.
- 7 NO la desenchufe tirando del cable; para desenchufarla, sostenga el enchufe, no el cable.
- 8 NO toque el enchufe o la aspiradora con las manos húmedas.
- 9 NO pase la aspiradora sobre el cable de alimentación, no apriete el cable al cerrar una puerta ni tire del cable a través de bordes filosos.
- 10 NO se recomienda el uso de un cable de extensión.
- 11 NO deje la aspiradora desatendida cuando esté enchufada.
- 12 Mantenga el cable alejado de superficies calientes.
- 13 Apague todos los controles antes de enchufar o desenchufar la aspiradora.
- 14 Apague siempre este artefacto antes de conectar o desconectar el manguera o cabezal motorizado.
- 15 Guarde su aspiradora con el cable de alimentación enrollado en los dos soportes.

### USO GENERAL

- 16 Utilícela solamente como se indica en este manual.
- 17 NO introduzca ningún objeto en las ranuras. NO la use con ninguna abertura tapada; manténgalas libres de polvo, pelusa, pelos y cualquier otra cosa que pudiera reducir el flujo de aire.
- 18 Mantenga el área de trabajo bien iluminada.
- 19 Mantenga la aspiradora en movimiento sobre la superficie de la alfombra todo el tiempo para evitar dañar las fibras de la alfombra.

- 20 NO coloque la aspiradora sobre superficies inestables como sillas o mesas.
- 21 NO permita que los niños pequeños usen la aspiradora o que se utilice como un juguete. Debe tener mucho cuidado al ser utilizada cerca de niños.
- 22 NO la utilice sin el recipiente de la tierra y/o los filtros instalados en su lugar.

### ACCESORIOS PARA LA MANGUERA

- 23 NO la use si el flujo de aire está restringido; si las aberturas de circulación de aire o el cabezal eléctrico para pisos se tapan, apague y desenchufe la aspiradora. Saque todas las obstrucciones antes de volver a encender la unidad.
- 24 Mantenga el extremo de la manguera y las aberturas de los accesorios alejados de la cara y del cuerpo.
- 25 Mantenga las herramientas de limpieza y las aberturas de succión de la manguera alejados del cabello, la cara, los dedos, los pies o ropa suelta.
- 26 Use únicamente los accesorios recomendados por el fabricante.

### RECIPIENTE PARA LA TIERRA/FILTROS/ACCESORIOS

Antes de encender la aspiradora:

- 27 Verifique que todos los filtros estén completamente secos luego de limpiarlos.
- 28 Verifique que el recipiente para la tierra y todos los filtros estén en su lugar luego de realizar el mantenimiento de rutina.
- 29 Verifique que los accesorios no estén tapados.
- 30 Use únicamente filtros y accesorios proporcionados por SharkNinja Operating LLC. [El no hacerlo invalidará la garantía].

### LIMPIEZA GENERAL

- 31 NO aspire objetos muy grandes.
- 32 NO aspire objetos duros o filosos como vidrios, clavos, tornillos, monedas, los que podrían dañar la aspiradora.
- 33 NO aspire polvo de paneles de yeso.
- 34 NO aspire objetos con fuego o humeantes tales como carbón caliente, colillas de cigarrillos, ceniza de hogar a leña o fósforos.
- 34 NO aspire materiales inflamables o combustibles como líquido para encendedor o queroseno, ni use la aspiradora en áreas en las cuales puedan estar presentes.
- 36 NO la use para aspirar soluciones tóxicas tales como lavandina, amoníaco o destapa cañerías.
- 37 NO la use en lugares cerrados y con vapores de pintura, diluyente de pintura, substancias antipolilla, polvo inflamable u otros materiales explosivos o tóxicos.
- 38 NO aspire ningún líquido.
- 39 NO sumerja la aspiradora en agua o ningún otro líquido.
- 40 NO la use en el exterior o en superficies mojadas; úsela únicamente en superficies secas.
- 41 Tenga especial cuidado al limpiar escaleras.
- 42 Remueva el cepillo giratorio de la unidad antes de enjuagarlo.

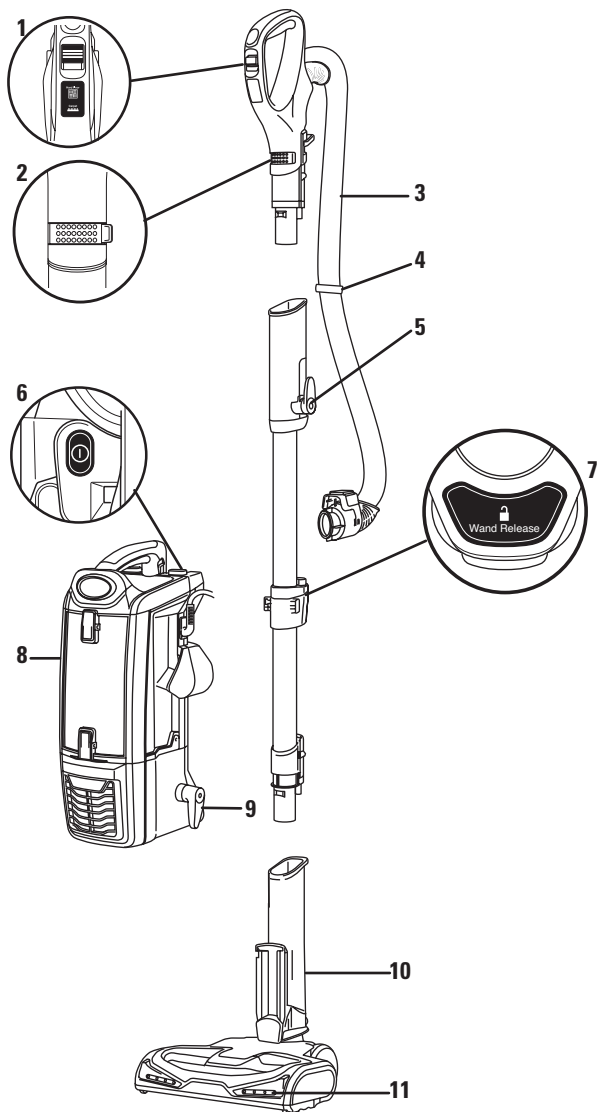
# CONSERVE ESTAS INSTRUCCIONES

## ENCHUFE POLARIZADO

Para reducir el riesgo de una descarga eléctrica, esta aspiradora posee un enchufe polarizado (una pata es más ancha que la otra). Como medida de seguridad, este cable entrará únicamente en un tomacorriente polarizado. Si el enchufe no entra completamente en el tomacorriente, inviértalo. Si aún no entra, llame a un electricista calificado. NO lo fuerce dentro del tomacorriente ni trate de modificarlo para que calce.

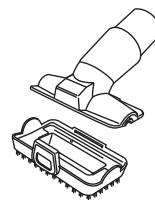


## PARTES DE SU SHARK ROTATOR® POWERED LIFT-AWAY™ SPEED



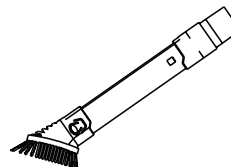
### UNIDAD PRINCIPAL

- |                                              |                                              |
|----------------------------------------------|----------------------------------------------|
| 1 Selector de superficie                     | 6 Llave de encendido                         |
| 2 Control de succión                         | 7 Liberación del tubo                        |
| 3 Manguera                                   | 8 Módulo Lift-Away                           |
| 4 Abrazadera de la manguera                  | 9 Gancho inferior para cable de alimentación |
| 5 Gancho superior para cable de alimentación | 10 Cabezal eléctrico para pisos              |
|                                              | 11 Focos                                     |



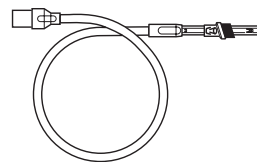
### Accesorio múltiple para mascotas 187FL1680

Dos accesorios de limpieza en uno. El cepillo de cerdas duras limpia la suciedad pegada en muchas superficies. Remueva las cerdas para revelar un accesorio para tapizados, que remueve el pelo de mascotas de sus tapizados y mucho más.



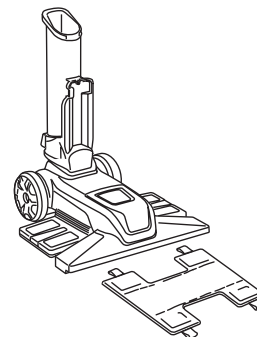
### Genio de limpieza 189FL1680

Dos accesorios de limpieza en uno. El accesorio esquinero extiende su alcance para lugares pequeños, mientras que el cepillo limpiador sirve para limpiar una variedad de superficies.



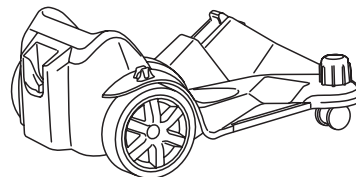
### Kit de herramientas para la casa y el carro XCRDT292

Tubos de extensión y micro herramientas para la limpieza de espacios reducidos.



### Dust Away™ Pro y Almohadilla de microfibras XGEN680PB

Suficientemente resistente como para limpiar migas y residuos grandes, pero lo suficientemente suave como para limpiar los pisos más delicados de madera y baldosas.



### Carrito de soporte XCY680PB

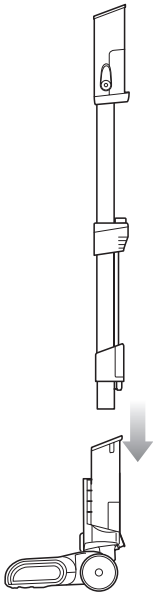
Transforme su Rotator en una aspiradora con ruedas, brindándole la libertad de transportar el cuerpo de la aspiradora con usted y mantener los accesorios de limpieza a mano.

**¿Necesita más accesorios y partes de reemplazo?**

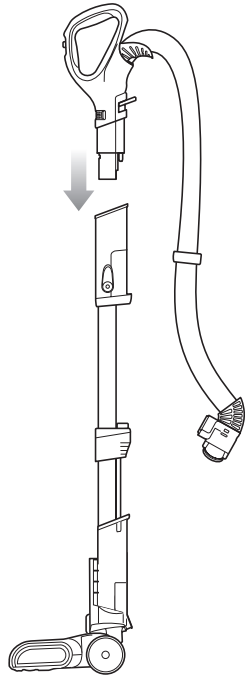
Visite [www.PoweredLiftAway.com](http://www.PoweredLiftAway.com) o llame al 1-800-798-7398.



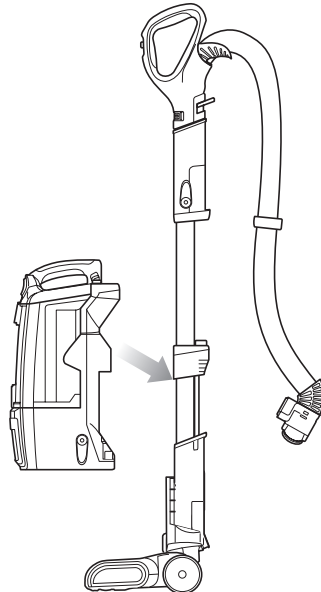
### PASO 1



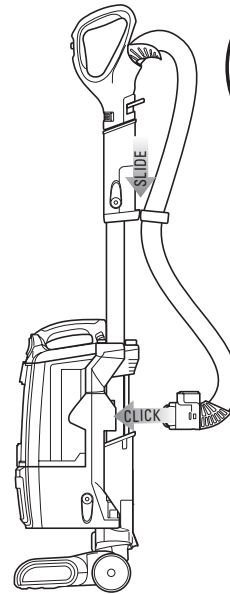
### PASO 2



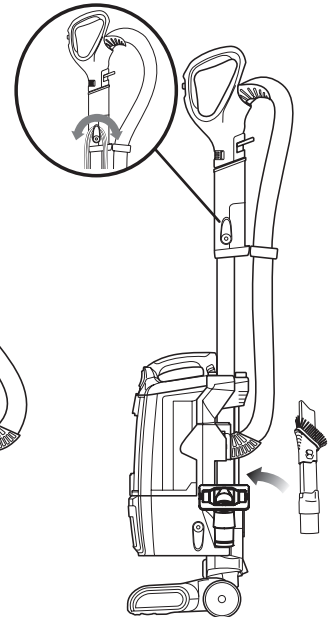
### PASO 3



### PASO 4



### PASO 5



- 1 Coloque el cabezal para piso seleccionado en el piso e insértele el tubo.
- 2 Inserte el mango en el tubo.

- 3 Deslice el módulo principal sobre el tubo.
- 4 Coloque el gancho de la manguera en la ranura de la parte posterior del tubo.

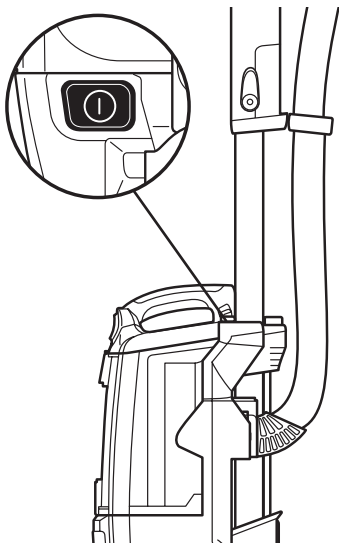
- 5 Inserte el Genio de limpieza y Accesorio múltiple para mascotas dentro del soporte para accesorios como se muestra.

**CONSEJO:** Para rápido acceso al cable, rote el gancho superior hacia abajo y remueva el cable. Colóquelo nuevamente hacia arriba para guardar el cable.

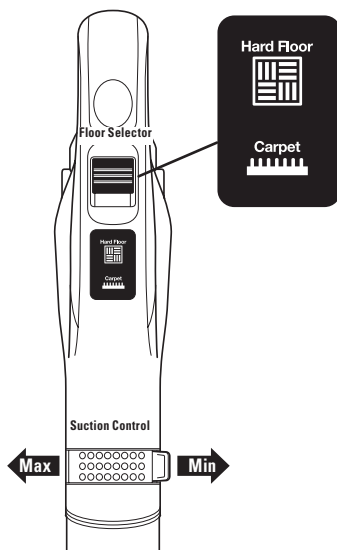
## LIMPIEZA EN MODO VERTICAL

**NOTA:** NO aspire polvo de paneles de yeso ni cenizas de hogar a leña.

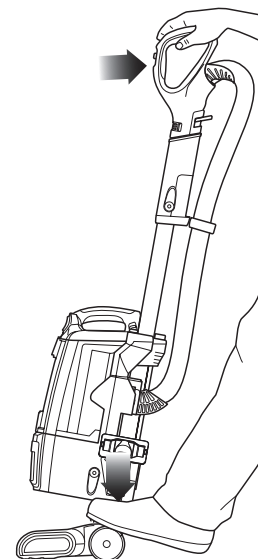
### PASO 1



### PASO 2



### PASO 3



**1** Enchufe el cable de alimentación en el tomacorriente y presione el botón de ENCENDIDO para encender la aspiradora.

**2 Limpieza de pisos duros**  
Coloque el selector de pisos en **Hard Floor** y el Suction Control en **Max** para máxima succión o variable, dependiendo de la preferencia del usuario.

#### Limpieza de alfombras altas y tapetes

Coloque el selector de pisos en **Carpet** y el Suction Control en **Min** para succión reducida o variable, dependiendo de la preferencia del usuario.

#### Limpieza de alfombras

Coloque el selector de pisos en **Carpet** y el Suction Control en **Max** para succión reducida o variable, dependiendo de la preferencia del usuario.

**NOTA:** Para una limpieza profunda de acuerdo con la ASTM F 608 (suciedad incrustada en las alfombras) coloque el ajuste en Carpet el Suction Control en **Max**.

**3** Coloque su pie izquierdo suavemente sobre la boquilla para piso e incline el mango hacia atrás para comenzar a limpiar.  
**NOTA:** El cepillo girará únicamente cuando la aspiradora se recline hacia atrás.

## ¿QUÉ SIGNIFICA LA LUZ INDICADORA DEL CEPILLO MOTORIZADO?

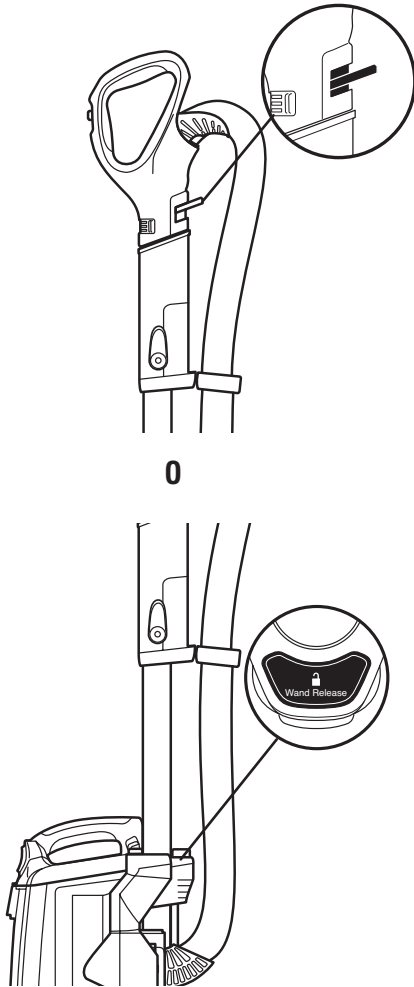
- **Verde sólido:** El cepillo rotativo está encendido y funcionando correctamente.
- **Rojo sólido:** El cepillo está atascado. Apague su aspiradora y remueva la obstrucción.
- **\*Rojo intermitente:** El cepillo motorizado está sobrecalentando. Apague su aspiradora y espere a que se enfríe.  
\*Consulte la Guía de Solución de Problemas para obtener instrucciones adicionales.



## PARA LIMPIAR POR ENCIMA DEL PISO

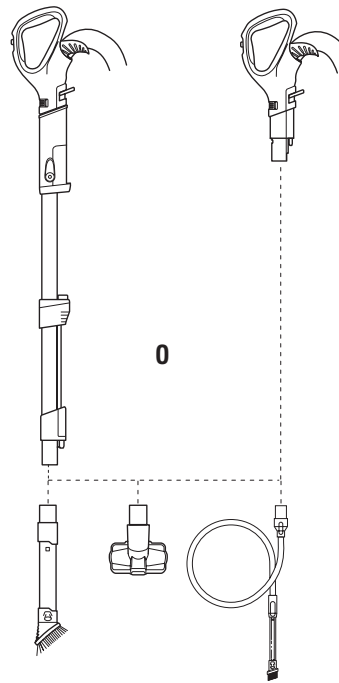
**NOTA:** NO aspire polvo de paneles de yeso ni cenizas de hogar a leña.

### PASO 1



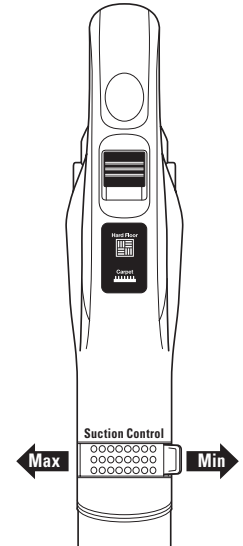
- 1 Para limpiar por encima del piso con la manguera, presione el botón de liberación del MANGO o del TUBO (dependiendo del largo que necesite) y levante el mango hacia arriba.

### PASO 2



- 2 Inserte el mango o el tubo directamente dentro del accesorio deseado.

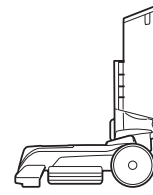
### PASO 3



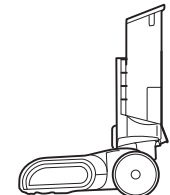
- 3 Esta unidad viene equipada con CONTROL DE SUCCIÓN para ayudarle cuando limpia objetos delicados o cortinas. Se encuentra en la base del mango, y puede deslizar la perilla de SUCTION CONTROL para minimizar la succión. Asegúrese de volver a cerrarlo para obtener la máxima succión.

## PARA CAMBIAR LAS BOQUILLAS PARA PISO

Use el cabezal eléctrico para pisos para limpiar bien alfombras y levantar residuos grandes en pisos duros.  
Use el Dust Away<sup>MR</sup> Pro para levantar residuos y limpiar polvo fino en un solo paso sencillo.

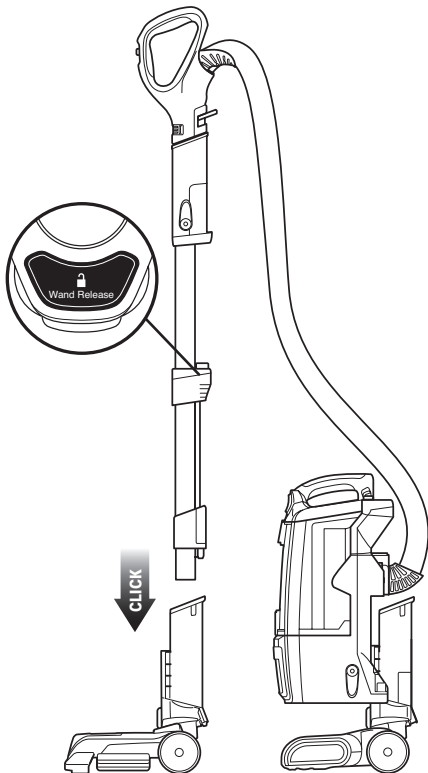


DUST AWAY PRO

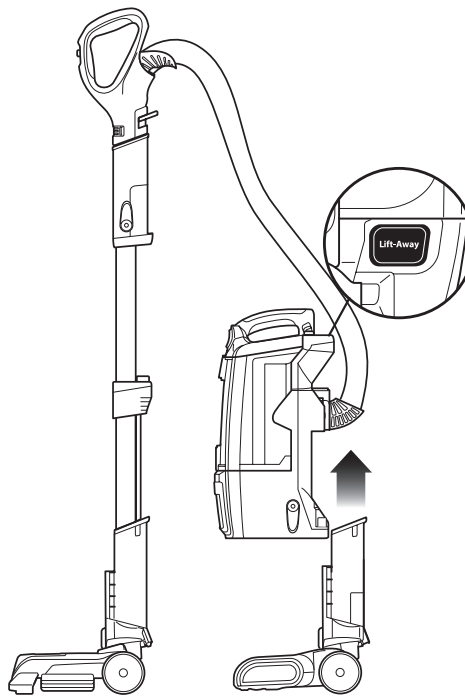


CABEZAL ELÉCTRICO PARA PISOS

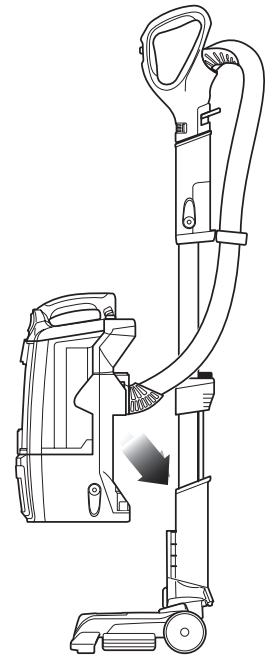
### PASO 1/PASO 2



### PASO 3



### PASO 4



- 1 Presione el botón WAND RELEASE para remover el tubo del cabezal eléctrico para pisos.
- 2 Inserte el tubo en el Dust Away Pro.

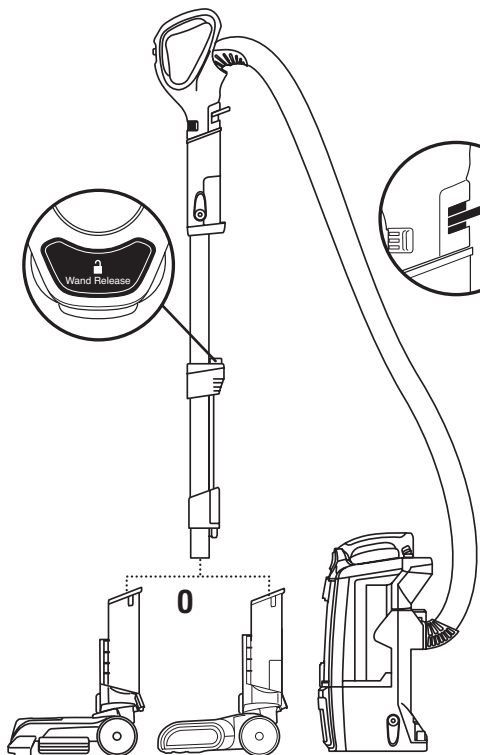
- 3 Presione el botón LIFT-AWAY para sacar el cuerpo del cabezal eléctrico para pisos.

- 4 Coloque el cuerpo sobre el tubo y deslícelo hacia abajo para conectarlo con el Dust Away Pro.

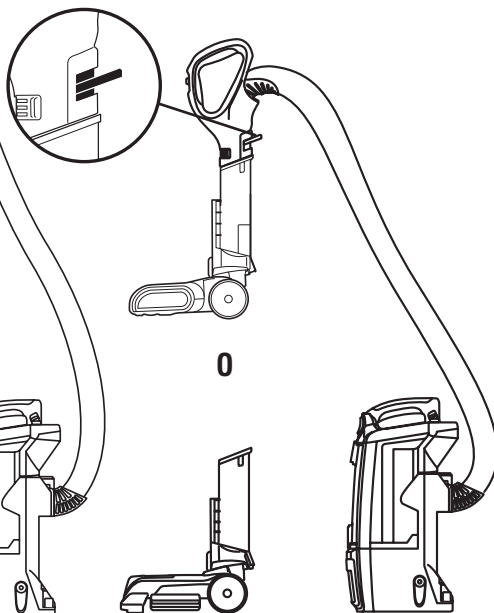
**NOTA:** Para obtener los mejores resultados, verifique que el SUCTION CONTROL esté en MAX.



### PASO 1



### PASO 2



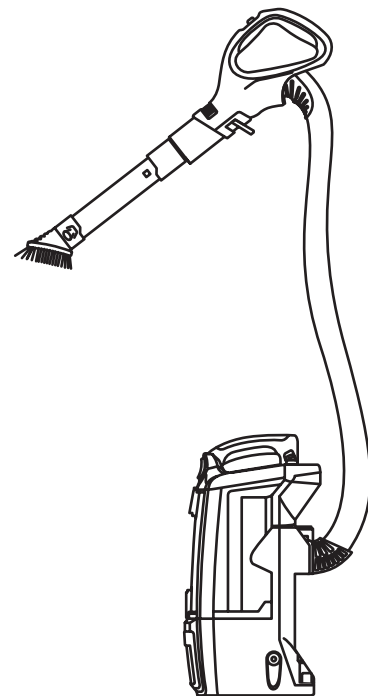
- 1** Presione el botón LIFT-AWAY para sacar el cuerpo de la boquilla para piso.

Inserte el TUBO dentro del cabezal eléctrico para pisos o el Dust Away<sup>MR</sup>.

**CONSEJO:** El usar la aspiradora en el modo Powered Lift-Away le brinda mayor alcance para limpiar debajo de los muebles y en lugares pequeños.

- 2** Inserte el MANGO dentro del cabezal eléctrico para pisos o el Dust Away Pro.

**CONSEJO:** Para limpiar escaleras fácilmente, inserte el MANGO directamente en las boquillas.



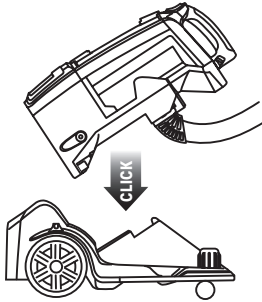
- 1** Coloque el accesorio deseado directamente dentro del MANGO.

**CONSEJO:** Para mayor alcance, coloque el accesorio deseado dentro del TUBO.

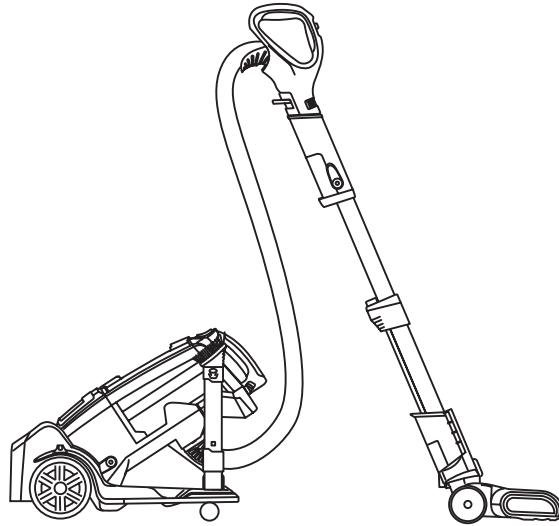
## LIMPIEZA EN MODO COMPACTA

Convierta su aspiradora vertical en una cómoda aspiradora compacta

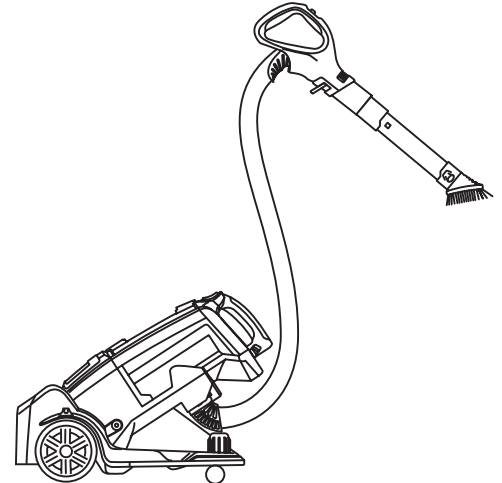
### PASO 1



### PASO 2



### PASO 3



- 1** Desde el modo Lift-Away<sup>MR</sup>, coloque el cuerpo sobre el carrito de soporte.

**NOTA:** Para liberar el cuerpo del carrito de soporte, presione LIFT-AWAY y levántelo.

- 2** El limpiar en el modo Lift-Away **MOTORIZADO** le permite seguir usando el cabezal eléctrico para pisos.

- 3** Presione el botón **WAND RELEASE** o **HANDLE RELEASE**. Levante el mango y colóquelo el accesorio deseado.

**CONSEJO:** Use los postes del carrito de soporte para guardar accesorios adicionales de limpieza.



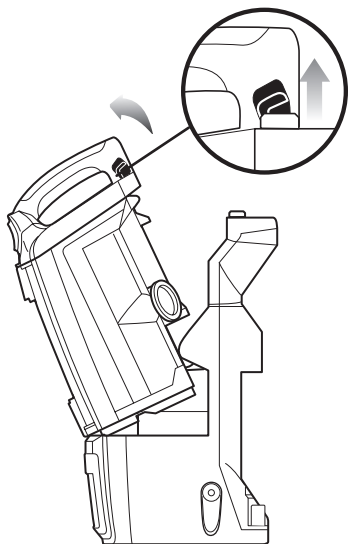
## MANTENIMIENTO

Para mantener la succión óptima de su aspiradora, siga estas instrucciones.

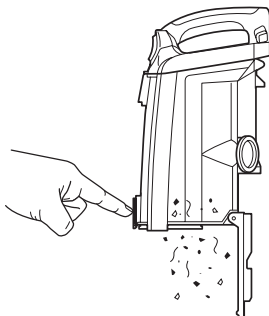
Verifique que la unidad esté apagada y desenchufada.

**IMPORTANTE:** Permita que **TODOS** los filtros se sequen completamente antes de volver a colocarlos en la aspiradora.

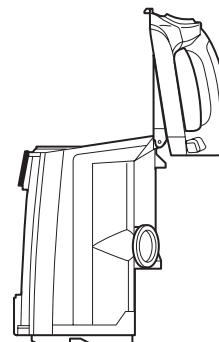
### PASO 1



### PASO 2



### PASO 3

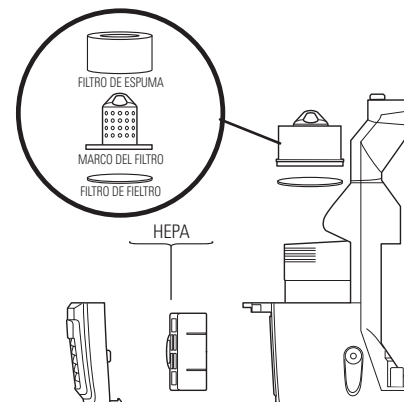


## VACIADO DEL RECIPIENTE DE LA TIERRA

- 1 Tire hacia arriba de la traba para liberar el recipiente de la tierra y saque el recipiente de la tierra del cuerpo de la aspiradora.
- 2 Sostenga el recipiente de la tierra sobre un cesto o una bolsa de basura y presione el botón para abrir la tapa de abajo.
- 3 Presione el botón de liberación de la tapa superior del recipiente de la tierra para acceder a la rejilla y remover la acumulación de desechos si es necesario.

## LIMPIE LOS FILTROS

- 1 Con el recipiente de la tierra fuera de la aspiradora, saque y enjuague los filtros de espuma y de fieltro cada 3 meses. Deje que se seque completamente al aire antes de volver a instalarlo. Lávelos a mano únicamente. Sacuda la basura de los filtros entre lavados si es necesario.
  - 2 Una vez al año, abra la rejilla del filtro y saque y enjuague el filtro HEPA. Deje que se seque completamente al aire antes de volver a instalarlo. Lávelos a mano únicamente.
- ⚠ IMPORTANTE: NO ASPIRE CENIZAS DE HOGAR A LEÑA NI POLVO DE PANELES DE YESO.**



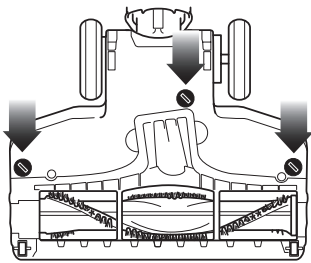
### PROGRAMA RECOMENDADO DE LIMPIEZA DEL FILTRO:

Juego de filtro del motor (de esponja y de fieltro): **XFF680** Cada 3 meses  
 Filtro de salida: **XHF680** Cada año

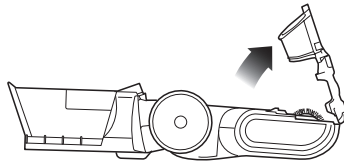
## MANTENIMIENTO

Para mantener la succión óptima de su aspiradora, siga estas instrucciones. Verifique que la unidad esté apagada y desenchufada.

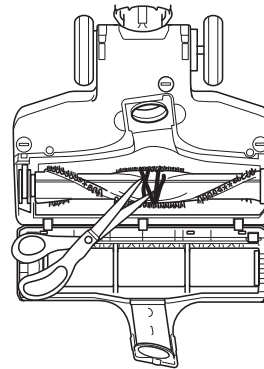
### PASO 1



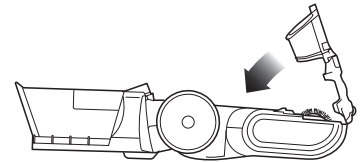
### PASO 2



### PASO 3



### PASO 4



## VERIFICACIÓN DE OBSTRUCCIONES

- 1 Use una moneda para abrir las 3 trabas de la parte de abajo del cabezal para pisos.
- 2 Una parte de la base es removible para facilitar el acceso al cepillo y a la entrada de aire. Use una linterna desde la parte de abajo para verificar que la entrada de aire no esté obstruida.
- 3 Remueva todos los hilos, fibras de alfombra o pelo que pudiera estar enrollado alrededor del cepillo. El cepillo tiene una ranura para poder colocar una tijera y cortar los desechos para aflojarlos.
- 4 Para volver a armarla, vuelva a colocar la base alineándola con el frente de la boquilla. Empuje hacia abajo para que trabe en su lugar. Cierre las 3 trabas.

## GUÍA DE SOLUCIÓN DE PROBLEMAS

Servicio al Cliente: 1-800-798-7398

### La aspiradora no levanta la tierra. No hay succión o es muy baja.

- Revise si hay que limpiar los filtros. Siga las instrucciones para enjuagar y secar los filtros antes de volver a instalarlos en la aspiradora.
- El recipiente de la tierra puede estar lleno; vacíelo.
- Revise que no haya ninguna obstrucción en la manguera, sus conexiones, las boquillas y los accesorios; limpie las obstrucciones si es necesario.
- Remueva todos los hilos, fibras de alfombra o pelo que pudiera estar enrollado alrededor del cepillo giratorio.

### La aspiradora levanta tapetes.

- Apague la unidad para destrabar el cepillo y vuelva a encenderla con el botón de ENCENDIDO para limpiar con succión únicamente.
- Demasiada succión. Tenga cuidado al aspirar tapetes o alfombras con bordes bordados delicados.
- Abra el botón de control de succión del cabezal para pisos para disminuir la succión.

### El cepillo no gira.

- Si la luz indicadora del cepillo giratorio se vuelve roja, el cepillo ha dejado de girar. Apague inmediatamente la aspiradora, desenchúfela y remueva la obstrucción. Vuelva a enchufar el cable de alimentación en el tomacorriente y encienda la aspiradora.
- Incline el mango hacia usted y libere la boquilla para piso de modo que desactive la función de apagado automático.
- Verifique que el selector de altura de alfombra no esté en la posición HARD FLOOR.
- Apague y desenchufe inmediatamente la aspiradora, desconecte la boquilla y remueva la obstrucción antes de volver a conectarla y de volver a encender la aspiradora.

### La aspiradora se apaga sola o la luz indicadora del cepillo motorizado parpadea en rojo.

- Esta unidad está equipada con un termostato de protección del motor. Si la aspiradora se sobrecalienta por cualquier motivo, el termostato la apagará automáticamente. Si pasa eso, siga los siguientes pasos para reiniciar el termostato del motor:
  1. Apague la unidad.
  2. Desenchufe la aspiradora.
  3. Vacíe el recipiente para la tierra y limpie los filtros.
  4. Revise que la manguera, los accesorios y las entradas de aire no estén tapados.
  5. Permita que la unidad se enfríe durante 45 minutos como mínimo.
  6. Enchufe la aspiradora.
  7. Vuelva a encender la unidad.

Nota: Si la aspiradora todavía no se enciende, llame a nuestro servicio al cliente : 1-800-798-7398.

## GARANTÍA LIMITADA DE SIETE (7) AÑOS

SharkNinja Operating LLC garantiza este producto contra defectos de materiales y mano de obra por un término de siete (7) años a partir de la fecha de compra original, siempre que sea utilizado para uso doméstico normal, sujeto a las siguientes condiciones, exclusiones y excepciones.

La responsabilidad de SharkNinja Operating LLC se limita únicamente al costo de reparación o reemplazo de la unidad, a nuestro criterio. Esta garantía limitada no cubre el desgaste normal de las partes y no cubre ninguna unidad que haya sido alterada o utilizada con fines comerciales. Esta garantía limitada no cubre daños ocasionados por uso inadecuado, abuso, negligencia o daños causados por embalaje inapropiado o maltrato durante el transporte. Esta garantía limitada no cubre daños o defectos causados o resultantes durante el transporte para su reparación o alteraciones del producto o cualquiera de sus partes, realizadas por una persona no autorizada por SharkNinja Operating LLC.

Si su artefacto no funciona correctamente al utilizarlo bajo condiciones domésticas normales dentro del período de garantía, puede devolver el artefacto completo y los accesorios, junto con un comprobante de la fecha de compra, pagando los gastos de envío. Por asistencia con opciones del servicio de garantía o para soporte al cliente, llame a nuestro centro de atención al cliente y especialistas de productos al 1-800-798-7398 o visite nuestro sitio web en [www.PoweredLiftAway.com](http://www.PoweredLiftAway.com).

Si SharkNinja Operating LLC determina que el artefacto presenta un defecto, lo reparará o reemplazará sin cargo, a su criterio. Se requiere comprobante de compra y se aplica un cargo de \$19.95 para cubrir el costo del envío de vuelta.

Los insumos tales como, sin limitación, filtros, cepillos y partes eléctricas que normalmente necesitan ser reemplazados son explícitamente excluidos de la garantía.

Esta garantía limitada es válida para el comprador original del producto y excluye cualquier otra garantía legal, implícita y/o convencional. La responsabilidad de SharkNinja Operating LLC, de existir, se limita a las obligaciones específicas asumidas expresamente bajo los términos de esta garantía limitada. Bajo ninguna circunstancia SharkNinja Operating LLC será responsable por daños incidentales o indirectos a cualquiera, de ninguna clase. Algunos estados no permiten la exclusión o limitación de daños consiguientes o incidentales, por lo tanto lo anterior puede no ser válido para usted.

Esta garantía limitada le otorga derechos legales específicos, y usted puede también tener otros derechos los que varían de estado a estado o de provincia a provincia.

**\*IMPORTANTE:** Embale el producto cuidadosamente para evitar daños durante el transporte. Asegúrese de incluir un comprobante de la fecha de compra y de colocarle una etiqueta al producto con su nombre, dirección completa y número de teléfono, una nota proporcionando información de la compra, número de modelo y una descripción del problema. Le recomendamos asegurar el paquete (puesto que la garantía no cubre daños de envío). Escriba en el exterior del paquete "ATTENTION CUSTOMER SERVICE".

SharkNinja, Shark y Rotator son marcas registradas de SharkNinja LLC operativo registrado.  
Lift-Away y Dust-Away son marcas comerciales de SharkNinja Operating LLC.



# Shark®

**WE WANT TO HEAR  
FROM YOU!**

**NOUS VOULONS VOUS  
ENTENDRE!**

**QUEREMOS SABER  
DE USTED!**



[www.PoweredLiftAway.com](http://www.PoweredLiftAway.com)



1.800.798.7398

**JOIN THE  
CONVERSATION**

**PARTICIPER À LA  
CONVERSATION**

**ÚNASE A LA  
CONVERSACIÓN**



@sharkcleaning

**SharkNinja Operating LLC**

Newton, MA USA 02459

Ville St. Laurent, Québec Canada H4S 1A7

**WATCH AND LEARN  
MORE**

**REGARDER ET  
APPRENDRE PLUS**

**OBSERVER Y  
APRENDER MÁS**



[youtube.com/shark](http://youtube.com/shark)

For Shark | Ninja U.S. Patent information visit <http://www.sharkninja.com/USPatents>

Pour des renseignements sur les brevets de Shark | Ninja aux É.-U., veuillez visiter <http://www.sharkninja.com/USPatents>

Por información acerca de las patentes en EE.UU. de Shark | Ninja, visita <http://www.sharkninja.com/USPatents>

NV683\_150806\_6

© 2015 SharkNinja Operating LLC

Printed in China / Imprimé en Chine / Impreso en China

Illustrations may differ from actual product. We are constantly striving to improve our products, therefore the specifications contained herein are subject to change without notice.

Les illustrations peuvent différer du produit réel. Nous essayons constamment d'améliorer nos produits, donc les clauses contenues dans ce document peuvent changer sans préavis.

El dibujo puede no ser igual al producto real. Nosotros nos esforzamos constantemente en mejorar nuestros productos, por lo tanto las especificaciones aquí indicadas pueden cambiar sin previo aviso.