

Shark®

WWW.SHARKCLEAN.COM

UV440CCO

Owner's Guide
Manuel du
propriétaire



IMPORTANT SAFETY INSTRUCTIONS

For Household Use Only

WHEN USING AN ELECTRICAL APPLIANCE, BASIC SAFETY PRECAUTIONS SHOULD ALWAYS BE OBSERVED, INCLUDING THE FOLLOWING:

READ ALL INSTRUCTIONS BEFORE USING YOUR SHARK NAVIGATOR® LIFT-AWAY® DELUXE.

POLARIZED PLUG:

To reduce the risk of electric shock, this appliance has a polarized plug (one blade is wider than the other). As a safety feature, this plug will fit into a polarized outlet only one way. If the plug does not fit fully into the outlet, reverse the plug. If it still does not fit, contact a qualified electrician.

DO NOT force into outlet or try to modify to fit.

⚠ WARNING: To reduce the risk of electric shock or injury, do not use outdoors or on wet surfaces.

WARNING:
TO REDUCE THE RISK OF FIRE, ELECTRIC SHOCK OR INJURY:

GENERAL ELECTRICAL SAFETY:

1. Unplug from electrical outlet when not in use and before servicing.
2. **DO NOT** use vacuum with a damaged cord or plug. If appliance is not working as it should, has been dropped, damaged, left outdoors, or dropped into water, return it to EURO-PRO Operating LLC for examination, repair, or adjustment.
3. **DO NOT** pull or carry vacuum by the cord.
4. **DO NOT** unplug by pulling on cord; to unplug, grasp the plug, not the cord.
5. **DO NOT** handle plug or appliance with wet hands.
6. **DO NOT** run the vacuum over the power cord.
7. **DO NOT** use the cord as a handle.
8. **DO NOT** close a door on the cord.
9. **DO NOT** pull cord around sharp corners. The use of an extension cord is not recommended.
10. **DO NOT** leave appliance when plugged in.
11. Keep cord away from heated surfaces.
12. Turn off all controls before plugging or unplugging vacuum cleaner.
13. Always turn off this appliance before connecting or disconnecting motorized nozzle.
14. Store your appliance with the power cord secured around the two cord holders-as shown in the storage instructions.



HOSE ATTACHMENTS:

1. **DO NOT** use if air flow is restricted; if the air paths, the hose, or the accessories become blocked, turn the vacuum cleaner off. Remove all obstructions before you turn on the unit again.
2. Keep the end of the hose and accessory openings away from face and body.
3. Keep cleaning tools and hose suction openings away from hair, face, fingers, uncovered feet, or loose clothing.
4. Only use manufacturer's recommended attachments.

GENERAL USE:

1. Use only as described in this manual.
2. **DO NOT** put any objects into openings. **DO NOT** use with any opening blocked; keep free of dust, lint, hair, and anything that may reduce air flow.
3. Keep your work area well lit.
4. Keep the vacuum moving over the carpet surface at all times to avoid damaging the carpet fibers.
5. **DO NOT** place vacuum on unstable surfaces such as chairs or tables.
6. **DO NOT** allow young children to operate the vacuum or use as a toy. Close attention is necessary when used by or near children.
7. **DO NOT** use vacuum cleaner if it has been dropped, damaged, left outdoors, or submerged in water. Return to EURO-PRO Operating LLC for examination, repair, or adjustment.
8. **DO NOT** use without dust cup and/or filters in place.

DUST CUP/FILTERS/ACCESSORIES:

Before turning on the vacuum:

1. Make sure that all filters are thoroughly dry after routine cleaning.
2. Make sure that dust cup and all filters are in place after routine maintenance.
3. Make sure accessories are free of blockages.
4. Only use filters and accessories provided by EURO-PRO Operating LLC. [Failure to do so will void the warranty.]

GENERAL CLEANING:

1. **DO NOT** pick up large-sized objects.
2. **DO NOT** pick up hard or sharp objects such as glass, nails, screws or coins that could damage the vacuum cleaner.
3. **DO NOT** pick up smoking or burning objects such as hot coals, cigarette butts, or matches.
4. **DO NOT** pick up flammable or combustible materials such as lighter fluid, gasoline, or kerosene or use vacuum in areas where they may be present.
5. **DO NOT** pick up toxic solutions such as chlorine bleach, ammonia, or drain cleaner.
6. **DO NOT** use in an enclosed space where vapors are present from paint, paint thinner, moth-proofing substances, flammable dust or other explosive or toxic materials.
7. **DO NOT** vacuum up any liquids.
8. **DO NOT** immerse vacuum cleaner in water or other liquids.
9. **DO NOT** use outdoors or on wet surfaces; use only on dry surfaces.
10. Use extra care when cleaning on stairs.

SAVE THESE INSTRUCTIONS

This manual covers model number:

UV440CC0 26

TECHNICAL SPECIFICATIONS

Voltage: 120V., 60Hz

Watts: 1200W

Amps: 10A

Euro-Pro, Shark, and Navigator Lift-Away are trademarks of Euro-Pro Operating LLC. All other brand names may be trademarks of their respective owners.

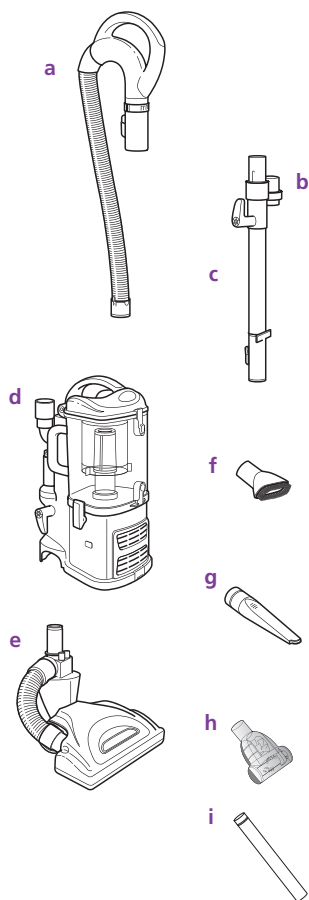


Contents

Thank you for
purchasing
the **Shark®**
Navigator®
Lift-Away®
Deluxe.

Getting Started	6
Mode 1: Upright Vac	8
Mode 2: Portable <i>Lift-Away</i>®	10
Above-Floor Cleaning	11
Storage	12
Maintenance	13
Emptying the Dust Cup	13
Cleaning the Pre-Motor Filters	13
Cleaning the Post-Motor HEPA Filter	14
Cleaning the Pet Power Brush	14
Cleaning the Motorized Floor Brush	14
Checking for Blockages	15
Troubleshooting Guide	16
Ordering Parts	17
Warranty & Product Registration	34

Getting Started



FIRST THING'S FIRST, YOU NEED TO KNOW WHAT'S IN THE BOX YOU JUST OPENED:

- a** Handle with Stretch Hose
- b** Accessory Holder
- c** Extension Wand
- d** Portable *Lift-Away*[®]
- e** Motorized Floor Brush
- f** Dusting Brush
- g** Crevice Tool
- h** Power Brush
- i** Extension Wand



Fig. 1



Fig. 2



Fig. 3



Fig. 4



Fig. 5

ACCESSORIES:

CREVICE TOOL

Reach deep into narrow spaces and clean between cushions, under radiators and baseboards and in hard to reach crevices and corners. **(Fig. 1)**

DUSTING BRUSH

Dust shelves, lamp shades, window blinds, books, furniture and other upholstered household items. **(Fig. 2)**

POWER BRUSH

This unique tool was engineered for fast and easy removal of pet hair and ground in dirt from carpeted stairs and upholstery. **(Fig. 3)**

ACCESSORY HOLDER

Designed to hold the crevice tool and dusting brush. For quick access to tools when vacuuming and cleaning around the house. **(Fig. 4)**

EXTENSION WAND

Reach even further and attach the crevice tool, the dusting brush or the power brush for cleaning all around the house. **(Fig. 5)**

Your new *Shark Navigator® Lift-Away® Deluxe* vacuum cleaner can easily be configured into different cleaning modes to meet all your cleaning needs: upright vacuum and portable *Lift-Away®* - both with constant suction power.

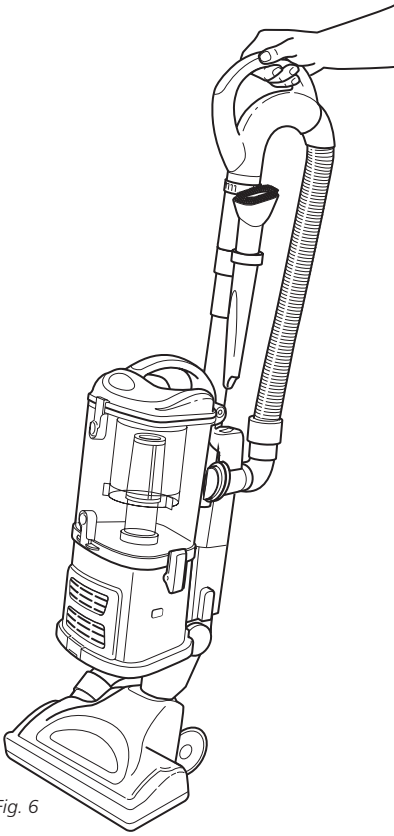


Fig. 6

MODES:

1 UPRIGHT VAC

Upright vacuuming - floors and carpets. (Fig. 6)

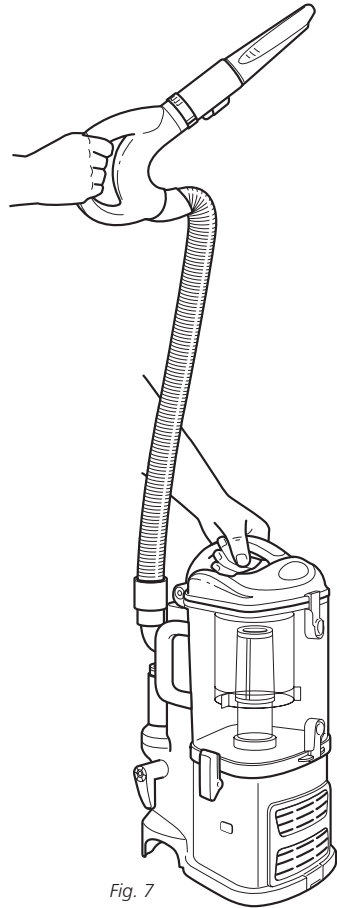


Fig. 7

2 PORTABLE *LIFT-AWAY®*

Take the *Lift-Away®* with you around the house to clean hard to reach places. (Fig. 7)

Mode 1: Upright Vac

! To reduce the risk of electric shock, unplug the unit before assembling, adding or removing attachments or converting modes.

! **WARNING:** The On/Off switch is on the top of the *Lift-Away*® canister. Always ensure the power is OFF ("O" position) before plugging and unplugging.

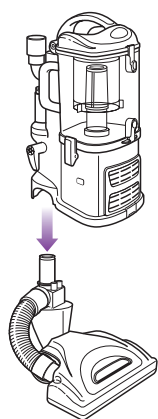


Fig. 8

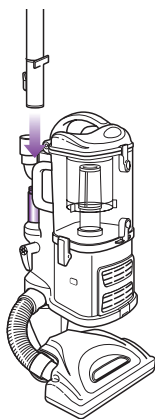


Fig. 9

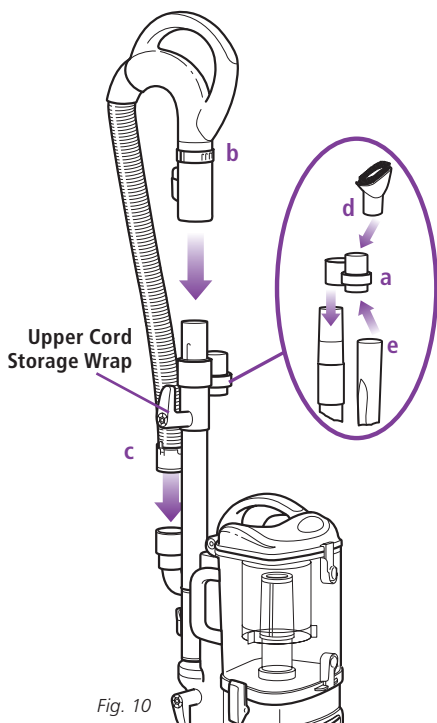


Fig. 10

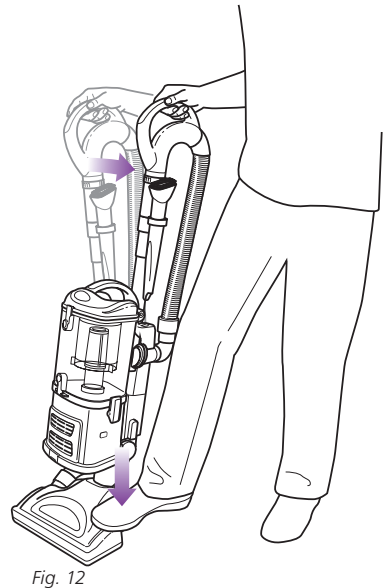
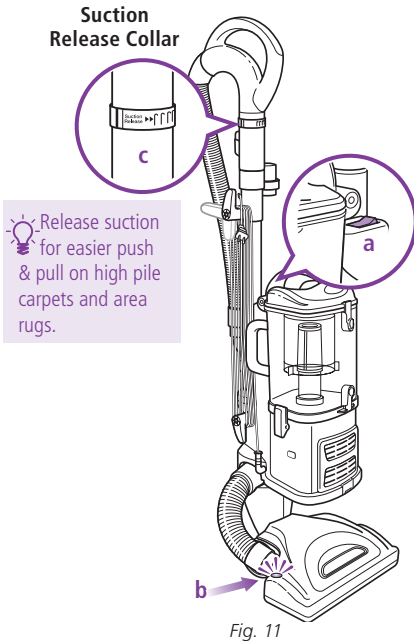
TO ASSEMBLE:

- 1 Place the floor nozzle on a level surface.
- 2 Align the tube of the floor nozzle with the tube on the *Lift-Away*® canister and lower until you hear the two pieces click into place. (Fig. 8)

When attaching the motorized floor brush, ensure that the latching mechanism is fully locked in place to ensure electrical connection has been made.

- 3 Attach the end of the extension wand to the tube on the back of the *Lift-Away*® canister until it clicks into place. (Fig. 9)
- 4 Slide the accessory holder (a) positioned opposite the upper cord wrap, over the extension wand. Align the tab with the groove and push down. (Fig. 10)

- 5 Push the handle (b) onto the top of the extension wand until you hear it click into place. (Fig. 10)
- 6 Insert the end of the stretch hose (c) into the connector on the back of the *Lift-Away*® canister. (Fig. 10)
- 7 Store the dusting brush (d) and the crevice tool (e) on the mounts of the accessory holder. (Fig. 10)

**TO USE:**

- 1 Rotate the cord release to quickly release the power cord.
- 2 Secure the power cord in the cord hook.

|| = Brush Roll ON

| = Bare Floor

○ = OFF



- 3 Press the On/Off switch (a) to the "I" position to vacuum bare floors (straight suction only) or to the "II" position to engage the motorized floor brush (for vacuuming carpets and rugs). (**Fig. 11**)


IMPORTANT: The motorized brush indicator light (b) will illuminate green when motorized floor brush is on, or red if there is a blockage or jam. (**Fig. 11**) This feature is designed to protect your Lifetime Belt that powers your motorized floor brush. See Checking for Blockages on page 15.

- 4 Gently press the floor nozzle down with your foot while you grasp the handle and tilt it back towards you. (**Fig. 12**)

NOTE: The rotating brush on the motorized floor brush will not spin unless the nozzle is flat against the floor and the handle is tilted back.

- 5 Due to the huge suction power of this vacuum, it may become necessary at times to adjust the suction release to open the valve. Rotate the collar clockwise to close the valve when you need high suction and for vacuuming floors.
- 6 Empty dust cup after vacuuming and periodically during use when it appears full. (See "Maintenance" section for instructions.)
- 7 When you are finished vacuuming, turn the vacuum off.

Mode 2: Portable *Lift-Away*®

 You can carry your vacuum cleaner in both modes by the carry handle located on top of the dust cup.

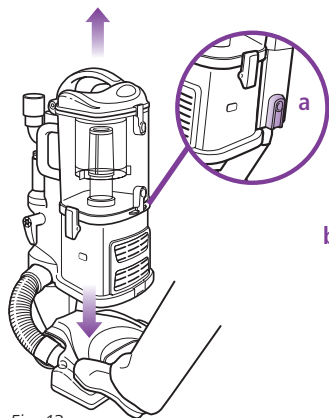


Fig. 13

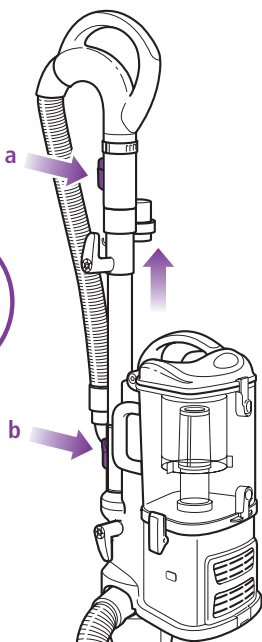


Fig. 14

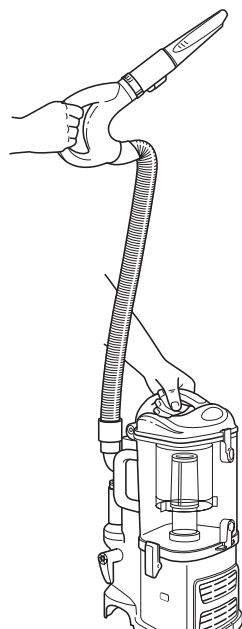


Fig. 15

PORTABLE LIFT-AWAY®

- 1 Separate the portable *Lift-Away*® canister from the floor nozzle by pressing the red release button (a) on the side of the canister. Gently hold the nozzle to the floor with your foot and pull the canister up. (Fig. 13)
- 2 Press the handle release button (a) and pull the handle up or press the extension wand release button (b) and pull the extension wand up. (Fig. 14)
- 3 Attach desired accessory onto the end of either the extension wand or the handle.
- 4 Press the On/Off switch to the "I" position to turn the vacuum on for above-floor cleaning and hold the handle in one hand while you carry the portable *Lift-Away*® around the house with the other hand. (Fig. 15)

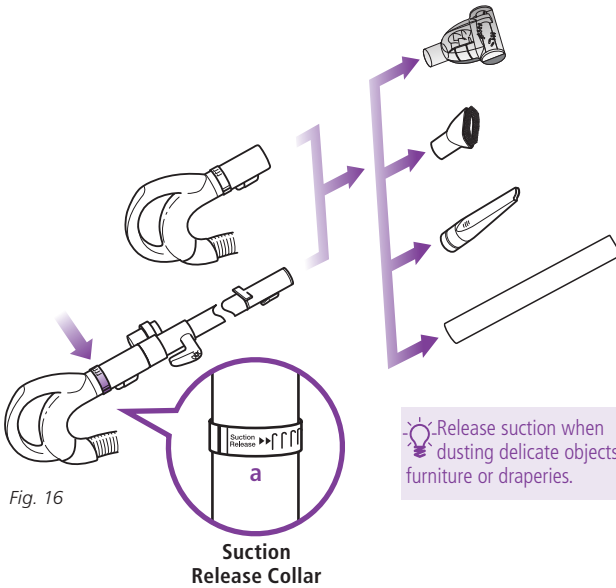


Fig. 16

💡 Release suction when dusting delicate objects, furniture or draperies.

CLEAN ABOVE THE FLOOR IN UPRIGHT VAC OR PORTABLE LIFT-AWAY® MODE

- 1 Press the handle release button and pull the handle up or press the extension wand release button and pull the extension wand up.
- 2 Attach desired accessory onto the end of either the extension wand or the handle. (Fig. 16)
- 3 Your vacuum has tremendous suction power. Adjust the amount of suction with the suction release on the handle. Open the valve (a) by rotating the collar 90° counterclockwise for low suction when doing light jobs such as drapes or fine surfaces. Close the valve (a) by rotating the collar clockwise 90° for high suction and when using the hand held power brush. (Fig. 16)

- 4 Press the On/Off switch to the "I" position to turn the vacuum on for above-floor cleaning.

⚠️ IMPORTANT: Ensure vacuum is in upright position. Do not use position "II" when cleaning above the floor in the upright vac mode as this will engage the motorized floor brush. The rotating brush may damage your floor if run for a prolonged period of time in one area.

Storage and Maintenance

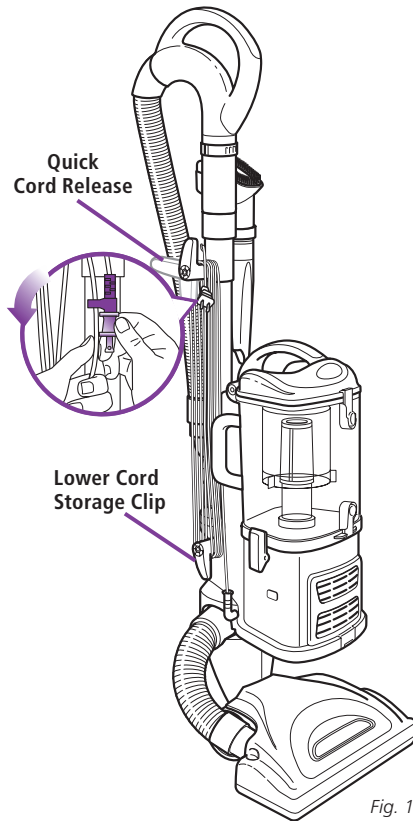


Fig. 17

STORE YOUR VACUUM SAFELY

- 1 Convert your vacuum back to upright vac mode.
- 2 Rotate the upper quick cord release to its upright position and coil the power cord loosely around the two clips. Clip the plug onto the cord to secure. (Fig. 17)
- 3 Store the dusting brush and the crevice tool on the mounts on the accessory holder.
- 4 Store your vacuum cleaner safely in a cool dry area where it will not be a hazard, will not get damaged and will not cause damage to anyone or anything.

NOTE: Empty dust cup after cleaning and prior to storing. (See "Maintenance" section for instructions.)

- ⚠ To reduce the risk of electric shock, unplug the unit before performing any cleaning, maintenance, or troubleshooting checks.
- ⚠ Reassemble all parts securely before operating vacuum.
- ⚠ **DO NOT** operate the vacuum without the filters and dust cup in place.
- ⚠ **DO NOT** operate the vacuum with WET filters.
- ⚠ **IMPORTANT:** Make sure all filters are completely dry before inserting back into vacuum.
- ⚠ **WARNING:** Never insert sharp objects into any opening to clear an obstruction.
- ⚠ **IMPORTANT:** Damages caused while clearing or attempting to clear blockages are not covered under your product's limited warranty.

COMPONENT	MAINTENANCE SCHEDULE
1 Dust Cup	Empty each time you vacuum.
2 Pre-Motor Foam Filter	Rinse and air dry every 3 months under normal use.
3 Pre-Motor Felt Filter	Rinse and air dry every 3 months under normal use.
4 Post-Motor HEPA Filter	Clean once every 2 years or as needed.

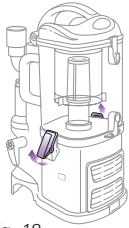


Fig. 18



Fig. 19

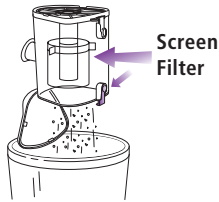


Fig. 20

⚠ IMPORTANT: Loss of Suction may occur if foam filters are not cleaned every 3 months. Rinse and allow to air dry completely. Also, tap loose dirt off filter between washes as needed. Foam filters may appear dirty after use - this is normal.

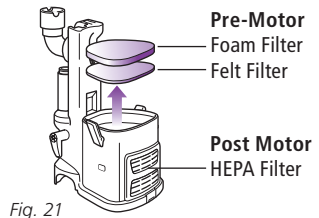


Fig. 21

EMPTYING THE DUST CUP

The dust cup needs to be emptied each time you vacuum and periodically during cleaning, when the dust cup appears full.

- Undo the latches on the sides of the dust cup by lifting them up and outwards to remove the dust cup from the motor base. **(Fig. 18)**
- Hold the dust cup over a trash receptacle and press the bottom door release button. **(Fig. 19)** Tap gently to empty contents. Press the door shut again until it clicks.
- If needed, turn the dust cup upside down over the trash receptacle and press the top door release button. **(Fig. 20)** Tap gently to remove contents. Use a dry cloth or paper towel to remove debris stuck to the screen filter inside the dust cup. Press the door shut again until it clicks.
- Replace the dust cup on top of the motor base. Hook the two latches onto the tabs on the sides of the dust cup and push down to lock.

CLEANING THE PRE-MOTOR FILTERS

- Remove the dust cup.
- Pull the 2 filters out from the top of the motor base. **(Fig. 21)**
- Rinse the filters thoroughly in lukewarm water until the water runs clear.

⚠ DO NOT put the filter in the washing machine or dishwasher.

NOTE: The material in the filter will discolor over time. This is **NORMAL** and will not affect the performance of the filter.

- Squeeze out excess water and let air-dry for at least 24 hours before replacing. Do not use a hair dryer or other heating methods to dry.
- Place the felt filter in first, then the foam filter.
- Replace the dust cup.

Maintenance - cont'd

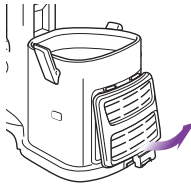


Fig. 22



Fig. 23



Fig. 24

CLEANING THE POST-MOTOR HEPA FILTER

- 1 Remove the filter cover from the front of the vacuum by pulling up on the tab and pulling the cover away from the vacuum. (Fig. 22)
- 2 Take out the HEPA filter by pulling it straight out.
- 3 Turn the filter over so that the dirty side is on the bottom and vigorously tap it clean against a garbage can to remove any dust. (Fig. 23)
- 4 Wash the filter under the tap using lukewarm water with the dirty side face down until the water runs clear. (Fig. 24)

⚠ DO NOT put the filter in the washing machine or dishwasher.

NOTE: The material in the filter will discolor over time. This is NORMAL and will not affect the performance of the filter.

- 5 Allow the filter to air dry for 24 hours. Do not use a hair dryer or other heating methods to dry.
- 6 Once the HEPA filter is dry, replace it back into the vacuum.
- 7 Replace the cover by inserting the two tabs into the holes at the top and then swinging the cover down until it clicks into place.

CLEANING THE POWER BRUSH

- 1 Slide the locking latch (a) forward and gently tilt brush housing upward to remove. (Fig. 25)
- 2 Carefully remove any blockage or debris and cut away any build-up of hair or string wrapped around the rotating bristle brush with scissor.
- 3 To reassemble, insert the tabs on the front edge of the bottom cover into the matching holes in the top half and tilt it back down until it clicks into place. (Fig. 26)

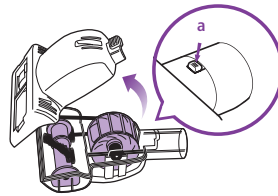


Fig. 25

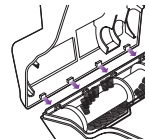


Fig. 26

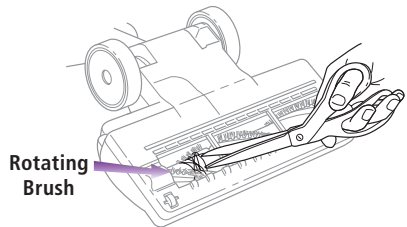



Fig. 27

CLEANING THE MOTORIZED FLOOR BRUSH

When your motorized floor brush needs cleaning or locks onto an object, it automatically shuts down to prevent damage to your lifetime belt. The indicator light will illuminate red warning you to turn off the vacuum and clear blockage immediately. The light will reset itself once blockage has been cleared and power has been cycled on/off or vacuum has been locked in the upright position.

- 1 Detach the motorized floor brush from the portable *Lift-Away*® canister.
- 2 Inspect the opening underneath and the rotating brush. If a build-up of debris is present, remove it. Carefully cut anything wound around the rotating brush with scissors. Avoid damaging or cutting the bristles. (Fig. 27)

 Make sure you are working in a well lit area and use a flashlight to help search for blockages.

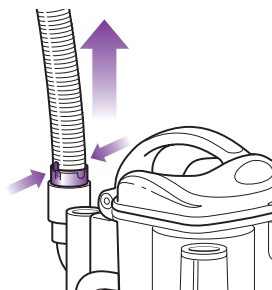


Fig. 28

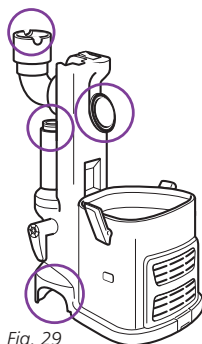


Fig. 29

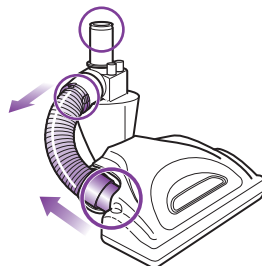


Fig. 30

CHECKING FOR BLOCKAGES

Blockages may cause your vacuum to overheat and shut down. To prevent this from happening, check potential blockage areas after heavy use or if you detect a loss of suction or poor cleaning performance.

1 Dust Cup

Dust cup may be full. Empty dust cup.

2 Pre-Motor & Post-Motor Filters

- Pre-motor filters require washing every 3 months for optimum performance. The post-motor HEPA filter needs to be washed every 2 years.
- Ensure that all the filters are clean.

3 Accessories

- Check intake openings:
 - Extension Wands
 - Dusting Brush
 - Crevice Tool
 - Power Brush

4 Hose and Connections to Vacuum

- Detach the stretch hose from the back of the portable *Lift-Away*® canister by squeezing the tabs together and pulling up. (Fig. 28) Straighten out the hose and look inside for blockages.
- Remove the dust cup and extension wand and separate the portable *Lift-Away*® canister from the motorized floor brush. Look in all 4 openings for any blockages. (Fig. 29)

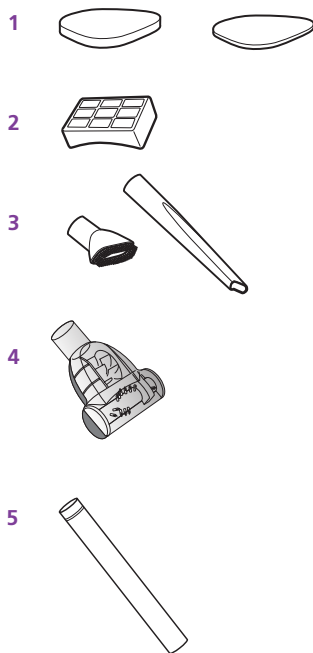
5 Motorized Floor Brush (Side suction models)

- Detach the hose on the motorized floor brush at the top by squeezing the tabs together and pulling out, and at the bottom by pulling out the connector. Inspect inside the 3 holes. (Fig. 30)

Troubleshooting Guide

PROBLEM	POSSIBLE REASONS & SOLUTIONS
Vacuum is not picking up dirt.	<p>Check filters to see if they need cleaning. Follow instructions for rinsing and drying the filters before re-inserting back into the vacuum. (See "Maintenance" sections for instructions.)</p> <p>Dust cup may be full; empty dust cup.</p> <p>Check hose and hose connections for blockages; clear blockages if required. If dust cup is empty, and attachment inlets are clear, check for other blockages. (See "Checking for Blockages" for instructions.)</p>
Vacuum lifts scatter rugs (lightweight, movable rugs).	<p>Suction is powerful. Take care when vacuuming scatter-type rugs or rugs with delicately sewn edges. Open the suction release on the handle to decrease suction power.</p> <p>Move the On/Off switch to "I - Suction Only" position to disengage the brush roll</p>
Airflow is restricted. No suction or light suction.	<p>Check filters to see if they need cleaning. Follow instructions for rinsing and drying the filters before re-inserting back into the vacuum.</p> <p>Dust cup may be full; empty dust cup.</p> <p>Check hose, hose connections, nozzles and accessories for blockages; clear blockages if required.</p> <p>Close the suction release on the handle to increase suction power.</p> <p>If dust cup is empty, and attachment inlets are clear, check for other blockages.</p>
Brush roll does not spin.	<p>Immediately turn off and unplug vacuum, disconnect the nozzle and remove blockage before reconnecting and turning vacuum back on.</p> <p>Pull the handle toward you and release the floor nozzle to disengage the auto-off feature.</p> <p>Move the On/Off switch to the "II - Brush Roll On" position.</p>
Vacuum turns off on its own.	<p>This vacuum cleaner is equipped with a motor protective thermostat. If for some reason your vacuum overheats, the thermostat will automatically turn the unit off. Should this occur, perform the following steps to restart the motor thermostat:</p> <ol style="list-style-type: none">1. Move the On/Off switch to the "O" (Off) position.2. Unplug the vacuum.3. Empty the dust cup and clean filters.4. Check for blockages in hose, accessories and inlet openings.5. Allow the unit to cool for a minimum of 45 minutes.6. Plug in the vacuum.7. Turn the On/Off switch to the "I" (On) position to restart the vacuum. <p>Note: If vacuum still does not start, contact Customer Service at: 1-800-798-7398.</p>





To purchase replacement parts, please visit our website: www.sharkclean.com
or contact customer service: 1-800-798-7398.

PART		PART NO.
1	Pre-Motor Filter Set	XFF350
2	HEPA Filter	XHF350
3	Dusting Brush & Crevice Tool	112FFJ
4	Power Brush	119FFJ
5	Extension Wand	1116FC

MESURES DE SÉCURITÉ IMPORTANTES

Pour usage domestique seulement

LORSQUE VOUS UTILISEZ UN APPAREIL ÉLECTRIQUE, DES MESURES DE SÉCURITÉ ÉLÉMENTAIRES DEVRAIENT TOUJOURS ÊTRE RESPECTÉES, Y COMPRIS LES MESURES SUIVANTES :

LISEZ TOUTES LES INSTRUCTIONS AVANT D'UTILISER VOTRE ASPIRATEUR NAVIGATOR^{MD} LIFT-AWAY^{MD} DE LUXE DE SHARK^{MD}.

FICHE POLARISÉE :

Afin de réduire les risques d'électrocution, cet appareil a été muni d'une fiche polarisée (une broche est plus large que l'autre). Par mesure de sécurité, cette fiche ne peut être insérée que d'un seul côté dans une prise polarisée. Si la fiche ne s'insère pas complètement dans la prise de courant, inversez-la. Si cela ne fonctionne toujours pas, contactez un électricien compétent.

NE forcez PAS et ne modifiez pas la fiche pour la brancher dans une prise murale.

⚠ AVERTISSEMENT : Pour réduire le risque d'électrocution, n'utilisez pas l'appareil à l'extérieur ou sur des surfaces mouillées.

AVERTISSEMENT :

POUR RÉDUIRE LE RISQUE D'INCENDIE, D'ÉLECTROCUTION ET DE BLESSURES :

DIRECTIVES DE SÉCURITÉ ÉLECTRIQUE GÉNÉRALES :

1. Débranchez l'aspirateur de la prise de courant lorsqu'il n'est pas utilisé et avant tout entretien.
2. **N'UTILISEZ PAS** l'aspirateur si sa fiche ou son cordon sont endommagés. Si l'appareil ne fonctionne pas comme il se doit, a été échappé, endommagé, laissé à l'extérieur ou échappé dans l'eau, veuillez le retourner à EURO-PRO Operating LLC pour une vérification, pour un réglage ou pour une réparation.
3. **NE DÉPLACEZ PAS** l'appareil en tirant sur son cordon d'alimentation.
4. **NE DÉBRANCHEZ PAS** l'appareil en tirant sur le cordon d'alimentation; pour le débrancher, agrippez la fiche et non le cordon.
5. **NE MANIPULEZ PAS** la fiche ou l'appareil avec des mains humides.
6. **NE PASSEZ PAS** l'aspirateur sur le cordon d'alimentation.
7. **N'UTILISEZ PAS** le cordon comme une poignée.
8. **NE FERMEZ PAS** une porte sur le cordon.
9. **NE TIREZ PAS** le cordon en le faisant passer sur des rebords coupants. Nous déconseillons l'utilisation d'une rallonge électrique.
10. **NE LAISSEZ PAS** l'appareil branché sans surveillance.
11. Tenez le cordon loin des surfaces chaudes.
12. Éteignez toutes les commandes avant de brancher ou de débrancher l'aspirateur.
13. Veuillez toujours mettre cet appareil hors tension avant de brancher ou de débrancher l'accessoire motorisé.
14. Lors du rangement de l'appareil, enroulez fermement le cordon d'alimentation autour des deux crochets à cordon – comme illustré dans les instructions de rangement.

ACCESSOIRES POUR TUYAU SOUPLE :

1. **N'UTILISEZ PAS** l'appareil si le débit d'air est restreint; si les conduits d'air, le tuyau souple ou les accessoires sont obstrués, éteignez l'aspirateur. Retirez toutes les obstructions avant de remettre l'appareil en marche.
2. Gardez l'extrémité du tuyau souple et les orifices d'aspiration des accessoires éloignés de votre visage et de votre corps.
3. Gardez les accessoires de nettoyage et les orifices d'aspiration éloignés de vos cheveux, de votre visage, de vos doigts, de vos pieds nus et de vêtements amples.
4. N'utilisez que les accessoires recommandés par le fabricant.

UTILISATION GÉNÉRALE :

1. Utiliser l'appareil seulement de la façon décrite dans ce guide.
2. **N'INSÉREZ PAS** d'objets dans les ouvertures. **N'utilisez PAS** l'appareil si des ouvertures sont obstruées; assurez-vous que les ouvertures sont libres de poussière, peluches, cheveux et d'objets pouvant réduire le débit d'air.
3. Assurez-vous que votre espace de travail est bien éclairé.
4. L'aspirateur doit toujours être en mouvement sur le tapis afin d'éviter d'endommager les fibres.
5. **NE PLACEZ PAS** l'aspirateur sur des surfaces instables telles que des chaises et des tables.
6. **NE PERMETTEZ PAS** aux jeunes enfants d'utiliser l'appareil ou de s'en servir comme jouet. Une surveillance étroite est nécessaire lorsque l'appareil est utilisé par un enfant ou à proximité d'un enfant.
7. **N'UTILISEZ PAS** l'aspirateur s'il a été échappé, endommagé, utilisé à l'extérieur ou immergé dans l'eau. Retournez l'appareil à EURO-PRO Operating LLC pour vérification, réparation ou réglage.
8. **N'utilisez PAS** l'appareil si le récipient à poussière et (ou) les filtres ne sont pas en place.

RÉCIPENT À POUSSIÈRE / FILTRES / ACCESSOIRES :

Avant de mettre l'aspirateur en marche :

1. Assurez-vous que les filtres sont complètement secs après le nettoyage de routine.
2. Après avoir effectué l'entretien de routine, assurez-vous que le récipient à poussière et tous les filtres sont bien en place.
3. Assurez-vous que les accessoires sont libres de toute obstruction.
4. Utilisez seulement les filtres et accessoires fournis par EURO-PRO Operating LLC. [À défaut de quoi, la garantie sera annulée.]

NETTOYAGE GÉNÉRAL :

1. **NE RAMASSEZ PAS** de gros objets.
2. **N'ASPIREZ PAS** des objets durs ou pointus comme du verre, des clous, des vis ou de la monnaie, lesquels pourraient endommager l'aspirateur.
3. **N'ASPIREZ PAS** d'objets chauds, fumants ou brûlants comme des cendres chaudes, bouts de cigarettes ou allumettes.
4. **N'ASPIREZ PAS** de liquides inflammables ou combustibles tels que de l'essence à briquets, du carburant, du kérosène; n'utilisez pas l'aspirateur dans des endroits où ces produits peuvent être présents.
5. **N'UTILISEZ PAS** l'aspirateur pour aspirer des solutions toxiques telles que de l'eau de javel, de l'ammoniac ou du nettoyeur à drains.
6. **N'UTILISEZ PAS** l'appareil dans des endroits clos où il y a des vapeurs provenant de la peinture, des diluants à peinture, des substances antimites, de la poussière inflammable ou tout autre matériau explosif ou toxique.
7. **N'ASPIREZ** aucun liquide.
8. **N'IMMERGEZ PAS** l'appareil dans l'eau ou dans un autre liquide.
9. **N'UTILISEZ PAS** l'appareil à l'extérieur ou sur des surfaces mouillées; utilisez l'appareil uniquement sur des surfaces sèches.
10. Soyez particulièrement prudent en nettoyant les escaliers.

VEUILLEZ CONSERVER CES DIRECTIVES

Ce manuel concerne le modèle :

UV440CCO 26

SPÉCIFICATIONS TECHNIQUES

Tension : 120 V., 60 Hz

Puissance nominale : 1200 W

Ampères : 10 A

Euro-Pro, Shark, et Navigator Lift-Away sont des marques de commerce de Euro-Pro Operating LLC. Toutes les autres marques sont des marques de commerce de leurs propriétaires respectifs.

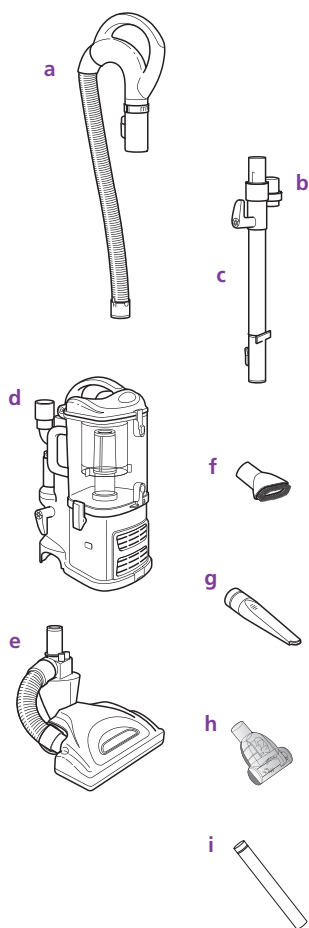


Table des matières

Merci d'avoir
acheté
l'aspirateur
Navigator^{MD}
Lift-Away^{MD}
de luxe de
Shark^{MD}.

À faire au début	22
Mode 1: Aspirateur vertical	24
Mode 2: Aspirateur portatif Lift-Away^{MD}	26
Nettoyage sur surface élevée	27
Rangement	28
Entretien	29
Vidange du récipient à poussière	29
Nettoyage des filtres avant moteur	29
Nettoyage du filtre HEPA après moteur	30
Nettoyage de la brosse motorisée pour poils d'animaux	30
Nettoyage de la brosse à planchers motorisée	30
Détection des obstructions	31
Guide de dépannage	32
Commande de pièces	33
Garantie et enregistrement du produit	35

À faire au début



TOUT D'ABORD, VOUS DEVEZ VOUS FAMILIARISER AVEC LE CONTENU DE CET EMBALLAGE :

- a** Poignée avec tuyau extensible
- b** Support pour accessoires
- c** Tube rallonge
- d** Aspirateur portatif *Lift-Away^{MD}*
- e** Brosse à planchers motorisée
- f** Brosse à épousseter
- g** Suceur plat
- h** Brosse motorisée
- i** Tube rallonge



Fig. 1



Fig. 2



Fig. 3



Fig. 4



Fig. 5

ACCESSOIRES :

SUCEUR PLAT

Pour le nettoyage en profondeur des espaces étroits et entre les coussins, sous les radiateurs et les plinthes, ainsi que dans les fentes et les recoins difficiles d'accès. (Fig. 1)

BROSSE À ÉPOUSSETER

Pour épousseter les tablettes, les abat-jour, les stores, les livres, le mobilier et les meubles rembourrés. (Fig. 2)

BROSSE MOTORISÉE

Cet accessoire unique est conçu pour l'élimination rapide et facile des poils d'animaux de compagnie et des saletés incrustées dans les tapis et le mobilier rembourré. (Fig. 3)

SUPPORT POUR ACCESSOIRES

Conçu pour tenir le suceur plat et la brosse à épousseter. Permet l'accès rapide aux accessoires lors du passage de l'aspirateur et du nettoyage de votre résidence. (Fig. 4)

TUBE RALLONGE

Pour accroître la portée de l'aspirateur et fixer le suceur plat, la brosse à épousseter et la brosse motorisée afin de nettoyer toutes les pièces de votre résidence. (Fig. 5)

Votre nouvel aspirateur *Navigator^{MD} Lift-Away^{MD}* de luxe de *Shark^{MD}* peut facilement être configuré en différents modes de nettoyage pour satisfaire tous vos besoins : aspirateur vertical et portatif *Lift-Away^{MD}* – ces modes offrant une puissance d'aspiration constante.

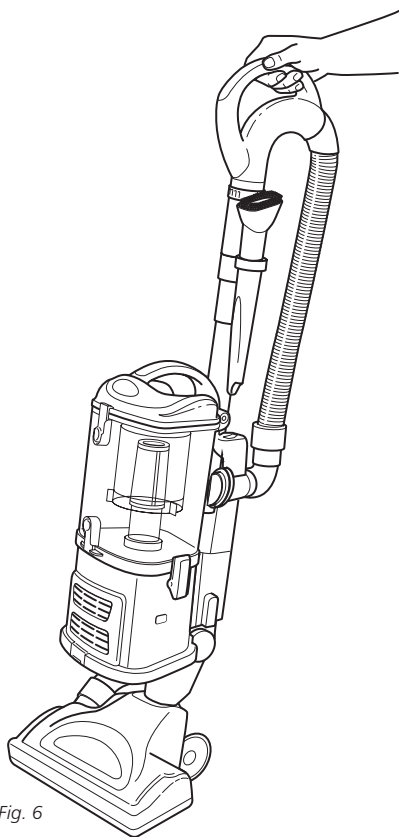


Fig. 6

MODES:

1 ASPIRATEUR VERTICAL

Aspirateur vertical pour le nettoyage des planchers et des tapis. (Fig. 6)

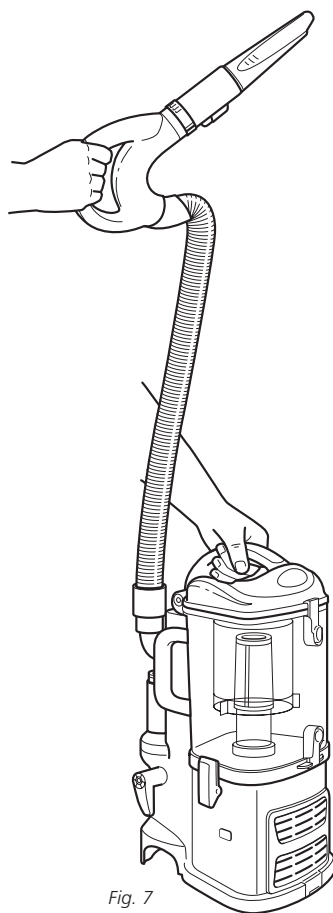


Fig. 7

2 ASPIRATEUR PORTATIF *LIFT-AWAY^{MD}*

Transportez l'aspirateur *Lift-Away^{MD}* partout dans votre résidence pour nettoyer les endroits difficiles d'accès. (Fig. 7)

Mode 1: Aspirateur vertical

⚠ Afin de réduire les risques d'électrocution, débranchez l'appareil avant l'assemblage, l'ajout ou le retrait des accessoires et avant le passage d'un mode de nettoyage à l'autre.

⚠ **AVERTISSEMENT** L'interrupteur d'alimentation est situé sur le corps de l'aspirateur *Lift-Away^{MD}*. Vérifiez toujours que l'aspirateur est éteint (interrupteur à la position O, « OFF ») avant de le brancher et de le débrancher.

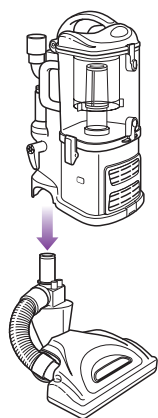


Fig. 8

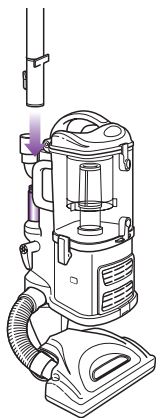


Fig. 9

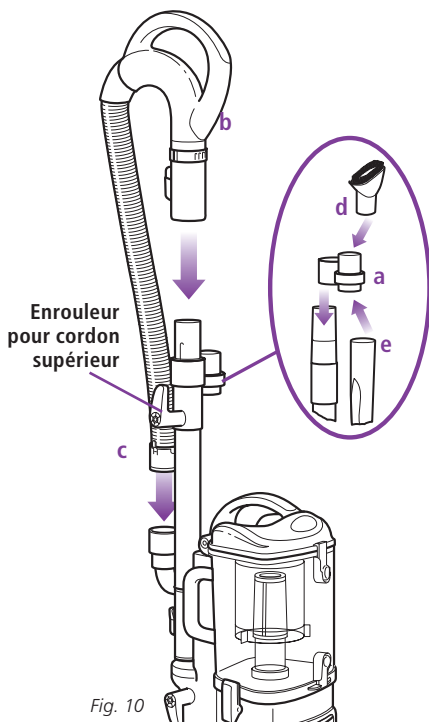


Fig. 10

ASSEMBLAGE :

- 1 Déposez la brosse à planchers sur une surface de niveau.
- 2 Alignez le tube de la brosse à planchers avec le tube du corps de l'aspirateur *Lift-Away^{MD}* en les enfonçant l'un dans l'autre jusqu'à ce que les deux pièces s'enclenchent. (Fig. 8)

Lorsque vous fixez la brosse à planchers motorisée, assurez-vous que le mécanisme de verrouillage est bien enclenché pour garantir la connexion électrique.

- 3 Fixez l'extrémité du tube rallonge au tube à l'arrière du corps de l'aspirateur *Lift-Away^{MD}* jusqu'à ce qu'il soit bien enclenché. (Fig. 9)

- 4 Faites glisser le support pour accessoires (a), situé à l'opposé de l'enrouleur pour cordon supérieur, par-dessus le tube rallonge. Alignez l'onglet avec la rainure et enfoncez-le. (Fig. 10)
- 5 Enfoncez la poignée (b) sur la partie supérieure du tube rallonge jusqu'à ce qu'il s'enclenche (vous entendrez un « clic »). (Fig. 10)
- 6 Insérez l'extrémité du tuyau extensible (c) dans le raccord à l'arrière du corps de l'aspirateur *Lift-Away^{MD}* (Fig. 10)
- 7 Rangez la brosse à épousseter (d) et le suceur plat (e) dans les logements du support pour accessoires. (Fig. 10)

Bague de réglage de la succion

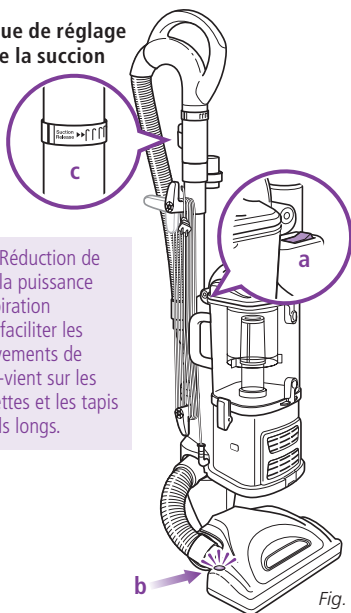


Fig. 11

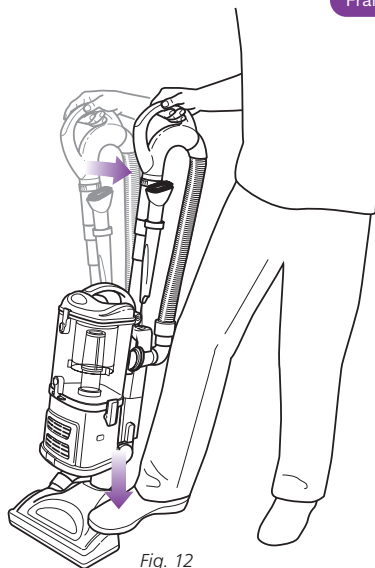


Fig. 12

MODE D'EMPLOI :

- 1 Tournez le porte-cordon pour dérouler rapidement le cordon d'alimentation.
- 2 Fixez le cordon d'alimentation dans le crochet prévu à cette fin.



= Rouleau de la brosse activé « ON »



= Planchers nus



= Arrêt « OFF »



- 3 Faites glisser l'interrupteur d'alimentation (« ON/OFF ») (a) à la position « I » pour passer l'aspirateur sur des planchers nus (suction droite) ou à la position « II » pour activer la brosse à planchers motorisée (pour le nettoyage des tapis et des carpettes). (Fig. 11)


IMPORTANT: Le voyant lumineux de la brosse à planchers motorisée (b) sera vert lorsque la brosse est activée; le voyant devient rouge lorsque l'appareil détecte une obstruction ou un blocage. (Fig. 11) Cette fonction est conçue pour protéger la courroie permanente qui actionne la brosse à planchers motorisée. Consultez la section Détection des obstructions à la page 31.

- 4 Tenez la poignée et inclinez-la vers vous en appuyant doucement sur la brosse à planchers avec votre pied. (Fig. 12)

REMARQUE : Pour que la brosse rotative de la brosse à planchers motorisée tourne, la brosse doit être déposée à plat sur le plancher et le manche doit être incliné vers l'arrière.

- 5 À cause de la succion très puissante de cet aspirateur, il est parfois nécessaire d'ajuster la bague de réglage de la succion située sur le manche. (Fig. 11) S'il est difficile de pousser ou de tirer l'aspirateur ou si la succion soulève les carpettes, réglez la bague de réglage de la succion en la faisant tourner de 90° dans le sens contraire des aiguilles d'une montre afin d'ouvrir la soupape. Faites tourner la bague de réglage de la succion dans le sens des aiguilles d'une montre afin de fermer la soupape pour augmenter la puissance d'aspiration et nettoyer les planchers.
- 6 Videz le récipient à poussière après avoir passé l'aspirateur et pendant le nettoyage si le récipient semble plein. (Consultez la section « Entretien » pour obtenir des instructions.)
- 7 Lorsque vous avez terminé, éteignez l'aspirateur.

Mode 2: Aspirateur portatif *Lift-Away*^{MD}

 Lors de l'utilisation de ces deux modes, vous pouvez porter l'aspirateur en le tenant par la poignée de transport située sur le récipient à poussière.

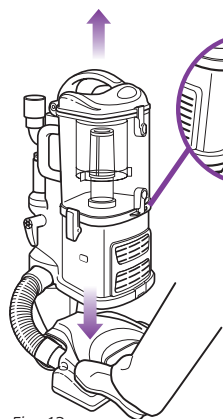


Fig. 13

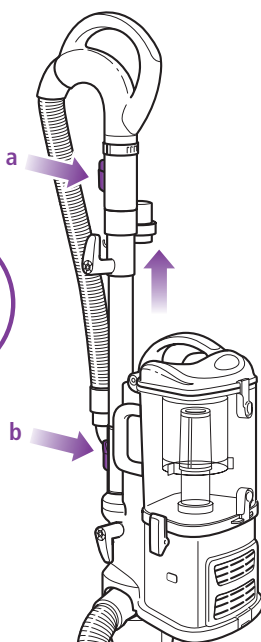


Fig. 14

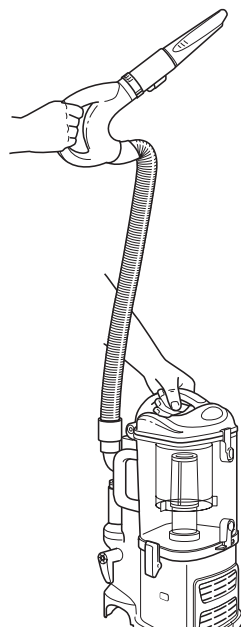


Fig. 15

ASPIRATEUR PORTATIF *LIFT-AWAY*^{MD}

- 1 Séparez le corps de l'aspirateur portatif *Lift-Away*^{MD} de la brosse à planchers en enfonceant le bouton de dégagement rouge (a) sur le côté de l'appareil. Maintenez la brosse sur le plancher avec votre pied et tirez le corps de l'aspirateur vers le haut. (Fig. 13)
- 2 Enfoncez le bouton de dégagement de la poignée (a) et tirez la poignée vers le haut ou enfoncez le bouton de dégagement du tube rallonge (b) et tirez celui-ci vers le haut. (Fig. 14)
- 3 Fixez l'accessoire désiré à l'extrémité de la poignée ou du tube rallonge.
- 4 Faites glisser l'interrupteur d'alimentation (« ON/OFF ») à la position « I » pour nettoyer des surfaces élevées et tenez la poignée d'une main tout en transportant l'aspirateur portatif *Lift-Away*^{MD} de l'autre main pour vous déplacer dans toutes les pièces. (Fig. 15)

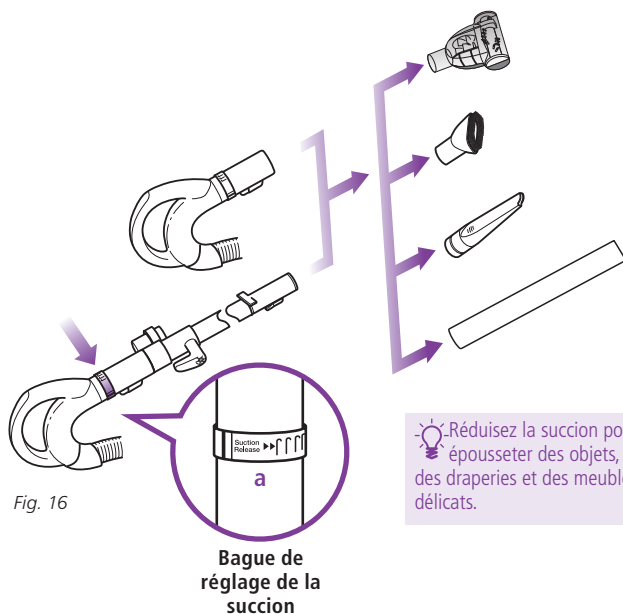


Fig. 16

Bague de réglage de la succion

NETTOYAGE DES SURFACES ÉLEVÉES AVEC LE MODE « ASPIRATEUR VERTICAL » OU « ASPIRATEUR PORTATIF » LIFT-AWAY^{MD}

- 1 Enfoncez le bouton de dégagement de la poignée et tirez la poignée vers le haut ou enfoncez le bouton de dégagement du tube rallonge et tirez celui-ci vers le haut.
- 2 Fixez l'accessoire désiré à l'extrémité de la poignée ou du tube rallonge. (Fig. 16)
- 3 La succion de votre aspirateur est très puissante. Réglez la puissance d'aspiration en modifiant la position de la bague de réglage de la succion située sur la poignée. Ouvrez la soupape (a) en faisant tourner la bague de 90° dans le sens contraire des aiguilles d'une montre afin de réduire la puissance d'aspiration lors du nettoyage léger de surfaces délicates et des draperies.

Fermez la soupape (b) en faisant tourner la bague de 90° dans le sens des aiguilles d'une montre afin d'augmenter la puissance d'aspiration et lors de l'utilisation de la brosse motorisée portable. (Fig. 16)

- 4 Faites glisser l'interrupteur d'alimentation (« ON/OFF ») à la position « I » pour nettoyer des surfaces élevées.
- 4 **IMPORTANT:** Assurez-vous que l'aspirateur est en position verticale. Ne mettez pas l'interrupteur à la position « II » lorsque vous nettoyez des surfaces élevées en mode d'aspirateur vertical, car cela activera la brosse à planchers motorisée. La brosse rotative peut endommager les planchers si elle tourne en position immobile pendant une période prolongée.

Rangement et entretien

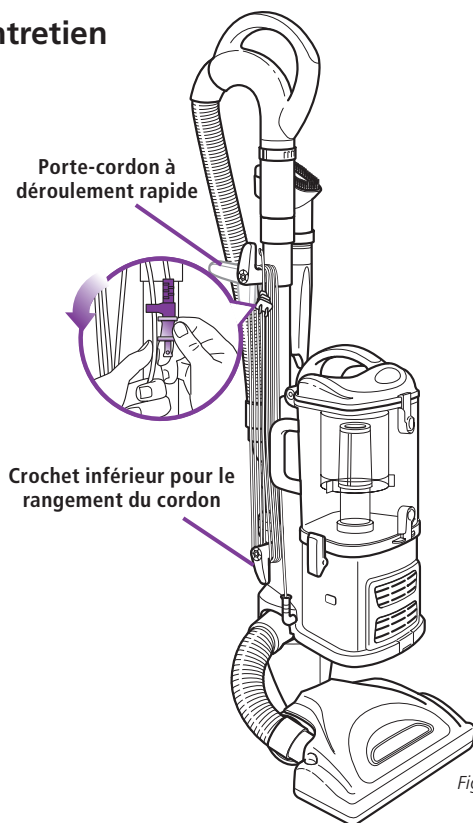


Fig. 17

RANGÉZ VOTRE ASPIRATEUR DE MANIÈRE SÉCURITAIRE

- 1 Configurez l'aspirateur en mode « aspirateur vertical ».
- 2 Faites tourner le porte-cordon à dégagement rapide supérieur vers le haut et enroulez le cordon lâchement autour des deux crochets. Engagez le crochet de la fiche sur le cordon pour la fixer solidement. (Fig. 17)
- 3 Rangez la brosse à épousseter et le suceur plat dans les logements du support pour accessoires.
- 4 Rangez votre aspirateur de façon sécuritaire dans un espace frais et sec, où l'appareil ne constitue pas un danger, ne sera pas endommagé, ne causera aucun dommage et ne posera aucun risque pour autrui.

REMARQUE : Videz le récipient à poussière après le nettoyage et avant de ranger l'aspirateur. (Consultez la section « Entretien » pour obtenir des instructions.)

- ⚠ Afin de réduire les risques d'électrocution, débranchez l'appareil avant de le nettoyer, de réaliser son entretien ou de faire les vérifications de dépannage.
- ⚠ Réassemblez toutes les pièces en vous assurant qu'elles sont bien fixées avant d'utiliser l'aspirateur.
- ⚠ **N'UTILISEZ PAS** l'aspirateur si le récipient à poussière et les filtres ne sont pas en place.
- ⚠ **N'UTILISEZ PAS** l'aspirateur lorsque les filtres sont HUMIDES.
- ⚠ **IMPORTANT :** Assurez-vous que tous les filtres sont secs avant de les réinstaller dans l'aspirateur.
- ⚠ **AVERTISSEMENT :** N'insérez jamais d'objet pointu dans les orifices pour débloquer ceux-ci.
- ⚠ **IMPORTANT :** Les dommages causés par l'élimination de blocage ne sont pas couverts par la garantie limitée du produit.

COMPOSANT	CALENDRIER D'ENTRETIEN
1 Récipient à poussière	Vider lors de chaque utilisation.
2 Filtre de mousse avant-moteur	Rincer et sécher à l'air libre tous les 3 mois dans des conditions d'utilisation normales.
3 Filtre de feutre avant-moteur	Rincer et sécher à l'air libre tous les 3 mois dans des conditions d'utilisation normales.
4 Filtre HEPA après-moteur	Nettoyer tous les 2 ans ou lorsque nécessaire.

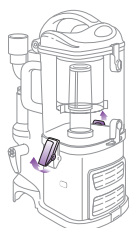


Fig. 18

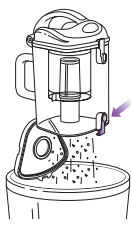


Fig. 19



Fig. 20

Filtre-tamis

▲ IMPORTANT: La perte de puissance d'aspiration peut survenir si les filtres de mousse ne sont pas nettoyés tous les 3 mois. Rincer, laisser sécher complètement à l'air libre. De plus, tapez doucement les filtres pour déloger les saletés non adhérentes entre les nettoyages. Les filtres de mousse peuvent sembler sales après l'utilisation – ceci est normal.

VIDANGE DU RÉCIPIENT À POUSSIÈRE

Il faut vider le récipient à poussière chaque fois que vous utilisez l'aspirateur et à l'occasion pendant le nettoyage, lorsque le récipient semble plein.

- 1 Dégagez les clenches latérales du récipient à poussière en les soulevant vers l'extérieur afin d'enlever le récipient du bloc-moteur. **(Fig. 18)**
- 2 Tenez le récipient à poussière au-dessus de la poubelle, puis enfoncez le bouton de verrouillage du panneau inférieur. **(Fig. 19)** Tapez doucement le récipient pour le vider. Fermez le panneau en appuyant sur celui-ci jusqu'à ce qu'il s'enclenche.
- 3 Au besoin, tenez le récipient à poussière à l'envers au-dessus de la poubelle et enfoncez le bouton supérieur de dégagement du panneau. **(Fig. 20)** Tapez doucement le récipient pour le vider.

Utilisez une serviette en papier ou un linge sec pour déloger les débris collés au filtre-tamis dans le récipient à poussière. Fermez le panneau en appuyant sur celui-ci jusqu'à ce qu'il s'enclenche.

- 4 Remettez le récipient à poussière sur le bloc-moteur. Engagez les deux clenches dans les onglets latéraux du récipient à poussière et poussez celui-ci vers le bas pour le verrouiller en place.

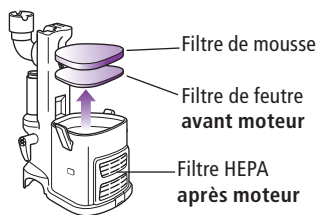


Fig. 21

NETTOYAGE DES FILTRES AVANT MOTEUR

- 1 Retirez le récipient à poussière.
- 2 Retirez les deux filtres situés sur le bloc-moteur. **(Fig. 21)**
- 3 Rincez les filtres abondamment à l'eau tiède, jusqu'à ce que l'eau soit claire.

▲ NE LAVEZ PAS les filtres à la machine à laver ou au lave-vaisselle.

REMARQUE : Le matériau des filtres se délave au fil du temps. Cela est NORMAL et ne nuit pas au rendement des filtres.

- 4 Tordez les filtres pour en extraire tout excès d'eau. N'utilisez pas un séchoir à cheveux ou un autre élément chauffant pour sécher les filtres.
- 5 Insérez d'abord le filtre de feutre, puis le filtre de mousse.
- 6 Réinstallez le récipient à poussière.

Entretien – suite

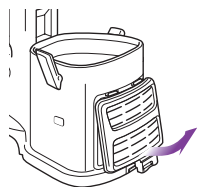


Fig. 22



Fig. 23

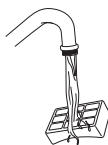


Fig. 24

NETTOYAGE DU FILTRE HEPA APRÈS MOTEUR

- 1 Pour enlever le couvercle des filtres situé à l'avant de l'aspirateur, tirez l'onglet du couvercle vers le haut, puis tirez sur celui-ci pour le dégager de l'appareil. (Fig. 22)
- 2 Pour retirer le filtre HEPA, tirez sur celui-ci.
- 3 Retournez le filtre afin que le côté sale soit orienté vers le bas, puis tapez-le vigoureusement au-dessus de la poubelle pour déloger toute la poussière. (Fig. 23)
- 4 Nettoyez le filtre en le passant à l'eau tiède, côté sale vers le bas, jusqu'à ce que l'eau soit claire. (Fig. 24)

⚠ NE LAVEZ PAS les filtres à la machine à laver ou au lave-vaisselle.

REMARQUE : Le matériau des filtres se délave au fil du temps. Cela est NORMAL et ne nuit pas au rendement des filtres.

- 5 Laissez le filtre sécher à l'air libre pendant 24 heures. N'utilisez pas un séchoir à cheveux ou un autre élément chauffant pour sécher les filtres.
- 6 Une fois le filtre HEPA sec, réinstallez-le dans l'aspirateur.
- 7 Réinstallez le couvercle en insérant les deux onglets dans les orifices supérieurs, puis poussez le couvercle vers le bas jusqu'à ce qu'il s'enclenche.

NETTOYAGE DE LA BROSSÉ MOTORISÉE

- 1 Faites glisser le levier de verrouillage (a) vers l'avant et soulevez doucement le capot de la brosse afin de le retirer. (Fig. 25)
- 2 Éliminez soigneusement toute obstruction et tout débris, puis coupez les cheveux et les fils enroulés autour de la brosse rotative avec des ciseaux.
- 3 Pour réassembler la brosse, insérez les onglets à l'avant du panneau inférieur dans les onglets correspondants et inclinez le panneau vers le bas jusqu'à ce qu'il s'enclenche. (Fig. 26)

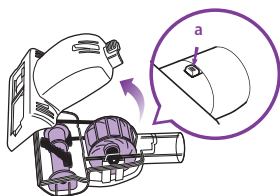


Fig. 25

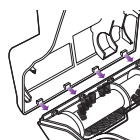


Fig. 26

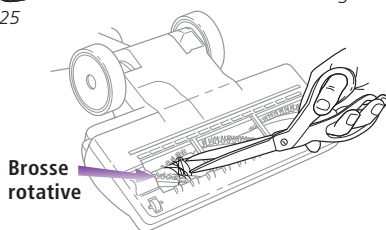


Fig. 27

NETTOYAGE DE LA BROSSÉ À PLANCHERS MOTORISÉE

Lorsque le nettoyage de la brosse à planchers motorisée est requis ou si la brosse est bloquée sur un objet, elle s'éteint automatiquement pour éviter tout dommage à la courroie permanente. Le voyant lumineux deviendra rouge, vous avertissant qu'il faut éteindre l'aspirateur et éliminer l'obstruction immédiatement. Le voyant se réinitialise lorsque l'obstruction est éliminée et que l'aspirateur a été éteint puis redémarré, ou lorsque l'aspirateur est verrouillé en position verticale.

- 1 Détachez la brosse à planchers motorisée de l'aspirateur portatif Lift-Away^{MD}.
- 2 Inspectez l'ouverture inférieure et la brosse rotative. S'il y a des débris accumulés, veuillez les enlever. Avec des ciseaux, coupez soigneusement tout débris enroulé autour de la brosse rotative. Évitez de couper et d'endommager les soies de la brosse. (Fig. 27)

Assurez-vous que votre espace de travail est bien éclairé et utilisez une lampe de poche pour détecter les obstructions.

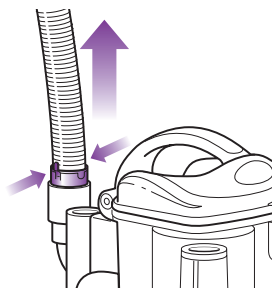


Fig. 28

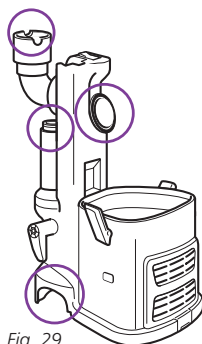


Fig. 29

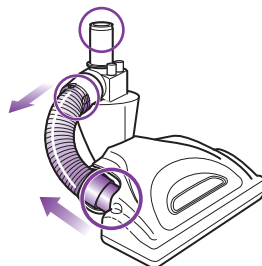


Fig. 30

DÉTECTION DES OBSTRUCTIONS

Les obstructions peuvent causer la surchauffe et l'arrêt automatique de l'aspirateur. Pour éviter ces situations, veuillez inspecter les parties susceptibles d'être obstruées après une utilisation intensive, si vous détectez une perte de puissance d'aspiration ou si l'appareil ne fonctionne pas comme il se doit.

1 Récipient à poussière

Il est possible que le récipient à poussière soit plein. Videz le récipient à poussière.

2 Filtres avant et après moteur

- Les filtres avant moteur doivent être nettoyés tous les 3 mois pour un rendement optimal. Le filtre HEPA après-moteur doit être nettoyé tous les 2 ans.
- Assurez-vous que les filtres sont propres.

3 Accessoires

- Vérifiez les entrées d'air :
 - Tube rallonge
 - Brosse à épousseter
 - Suceur plat
 - Brosse motorisée

4 Tuyau souple et raccords de l'aspirateur

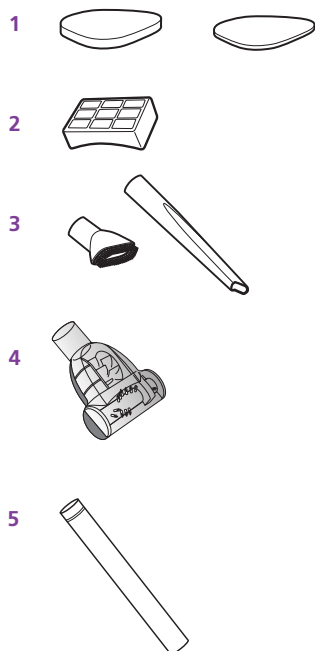
- Détachez le tuyau extensible à l'arrière de l'aspirateur portatif *Lift-Away^{MD}* en pressant les onglets ensemble et en tirant le tuyau vers le haut. (Fig. 28) Redressez le tuyau souple et inspectez l'intérieur pour détecter toute obstruction.
- Retirez le récipient à poussière et le tube rallonge, puis séparez l'aspirateur portatif *Lift-Away^{MD}* de la brosse à planchers motorisée. Vérifiez les quatre orifices pour détecter toute obstruction. (Fig. 29)

5 Brosse à planchers motorisée (modèles à succion latérale)

- Détachez le tuyau souple de l'extrémité supérieure de la brosse à planchers motorisée en pressant les onglets ensemble et en tirant le tuyau vers le haut, puis détachez le tuyau de l'extrémité inférieure en tirant sur le raccord. Inspectez l'intérieur des trois orifices. (Fig. 30)

Guide de dépannage

PROBLÈME	CAUSES ET SOLUTIONS POSSIBLES
L'aspirateur n'aspire pas les saletés.	<p>Inspectez les filtres pour vérifier s'il faut les nettoyer. Nettoyez et séchez les filtres en respectant les instructions avant de réinsérer ceux-ci dans l'aspirateur. (Consultez la section « Entretien » pour obtenir des instructions.)</p> <p>Le récipient à poussière est peut-être plein; videz-le.</p> <p>Inspectez le tuyau souple et ses raccords pour détecter la présence d'obstructions et dégagez tout objet coincé.</p> <p>Si le récipient à poussière est vide et que les orifices des accessoires ne sont pas obstrués, inspectez l'aspirateur pour détecter toute autre obstruction. (Consultez la section « Détection des obstructions » pour obtenir des instructions.)</p>
L'aspirateur soulève les carpettes (tapis légers et amovibles).	<p>La succion est puissante. Faites attention lorsque vous passez l'aspirateur sur les carpettes de fantaisie et les tapis à bordure cousue fragile. Ouvrez le loquet de déblocage sur la poignée pour réduire la puissance d'aspiration.</p> <p>Faites glisser l'interrupteur d'alimentation à la position de marche « I – succion seulement » (« succion only ») pour désactiver la brosse rotative.</p>
Le débit d'air est restreint. Succion faible ou inexistante.	<p>Inspectez les filtres pour vérifier s'il faut les nettoyer. Nettoyez et séchez les filtres en respectant les instructions avant de réinsérer ceux-ci dans l'aspirateur.</p> <p>Le récipient à poussière est peut-être plein; videz-le.</p> <p>Inspectez le tuyau souple et ses raccords, les suceurs et autres accessoires pour détecter toute obstruction; dégagez les obstructions au besoin.</p> <p>Fermez le loquet de déblocage de la succion sur la poignée pour augmenter la puissance d'aspiration.</p> <p>Si le récipient à poussière est vide et que les orifices des accessoires ne sont pas obstrués, inspectez l'aspirateur pour détecter toute autre obstruction.</p>
La brosse rotative ne tourne pas.	<p>Éteignez immédiatement l'aspirateur et débranchez-le. Retirez la brosse et enlevez toute obstruction avant de remettre la brosse et de redémarrer l'aspirateur.</p> <p>Tirez la poignée vers vous et relâchez la brosse à planchers pour désactiver le mode d'arrêt automatique.</p> <p>Faites glisser l'interrupteur d'alimentation à la position « II – brosse rotative activée » (« Brush Roll On »).</p>
L'aspirateur s'éteint automatiquement.	<p>Cet aspirateur est doté d'un thermostat de protection du moteur. Si, pour une raison quelconque, l'appareil surchauffe, le dispositif de protection l'éteindra automatiquement. Lorsque cela se produit, suivez les étapes ci-dessous pour redémarrer l'aspirateur :</p> <ol style="list-style-type: none">1. Faites glisser l'interrupteur d'alimentation à la position d'arrêt « O (Off) ».2. Débranchez l'aspirateur.3. Videz le récipient à poussière et nettoyez les filtres.4. Vérifiez si le boyau, les accessoires et les entrées d'air sont obstrués.5. Laissez l'aspirateur refroidir pendant au moins 45 minutes.6. Branchez l'aspirateur.7. Pour mettre en marche l'aspirateur, faites glisser l'interrupteur d'alimentation à la position de marche « I » (« ON »). <p>Remarque : Si l'aspirateur ne se met pas en marche, contactez le Service à la clientèle en composant le numéro suivant : 1-800-798-7398.</p>



Pour acheter des pièces de rechange, veuillez visiter notre site Web www.sharkclean.com ou contacter le Service à la clientèle : 1-800-798-7398.

PIÈCE	NUMÉRO DE PIÈCE
1 Ensemble de filtres avant moteur	XFF350
2 Filtre HEPA	XHF350
3 Brosse à épousseter et suceur plat	112FFJ
4 Brosse motorisée	119FFJ
5 Tube rallonge	1116FC



EURO-PRO FIVE-YEAR (5) LIMITED WARRANTY

EURO-PRO Operating LLC warrants this product to be free from material defects and workmanship for a period of five (5) years from the date of purchase when utilized for normal household use, subject to the following conditions, exclusions and exceptions.

The liability of **EURO-PRO Operating LLC** is limited solely to the cost of the repair or replacement of the unit at our option. This Limited Warranty does not cover normal wear of parts and does not apply to any unit that has been tampered with or used for commercial purposes. This Limited Warranty does not cover damage caused by misuse, abuse, negligent handling or damage due to faulty packaging or mishandling in transit. This Limited Warranty does not cover damage or defects caused by or resulting from damages from shipping or repairs, service or alteration to the product or any of its parts, which have been performed by a repair person not authorized by **EURO-PRO Operating LLC**.

If your appliance fails to operate properly while in use under normal household conditions within the warranty period, you may return the complete appliance and accessories with proof of purchase and date, freight prepaid. For customer service support, call 1-800-798-7398 or visit our website at www.sharkclean.com.

If the appliance is found by **EURO-PRO Operating LLC** to be defective, in **EURO-PRO Operating LLC's** sole discretion, we will repair or replace it free of charge. Proof of purchase date and a check made payable to **EURO-PRO Operating LLC** in the amount of \$19.95 to cover the cost of return shipping and handling must be included.*

Non-durable parts including, without limitation, filters, brushes and electrical parts which normally require replacement are specifically excluded from warranty.

This Limited Warranty is extended to the original purchaser of the unit and excludes all other legal, implied and/or conventional warranties. The responsibility of **EURO-PRO Operating LLC** if any, is limited to the specific obligations expressly assumed by it under the terms of this Limited Warranty. **In no event is EURO-PRO Operating LLC** liable for incidental or consequential damages to anyone of any nature whatsoever. Some states do not permit the exclusion or limitation of incidental or consequential damages, so the above may not apply to you.

This Limited Warranty gives you specific legal rights, and you may also have other rights which vary from state to state or province to province.

***IMPORTANT: Carefully pack item to avoid damage in shipping. Be sure to include proof of purchase date and to attach a tag to item before packing including your name, complete address and phone number with a note giving purchase information, model number and what you believe is the problem with the item. We recommend you insure the package (as damage in shipping is not covered by your warranty). Mark the outside of your package "ATTENTION CUSTOMER SERVICE". We are constantly striving to improve our products, therefore the specifications contained herein are subject to change without notice.**

Product Registration

Please visit www.sharkclean.com or call **1-800-798-7398** to register your new **Shark®** product within ten (10) days of purchase. You will be asked to provide the store name, date of purchase and model number along with your name and address.

The registration will enable us to contact you in the unlikely event of a product safety notification. By registering you acknowledge to have read and understood the instructions for use, and warnings set forth in the accompanying instructions.





GARANTIE LIMITÉE DE CINQ (5) ANS EURO-PRO

EURO-PRO Operating LLC garantit ce produit contre toute défectuosité matérielle ou de main-d'œuvre pour une période de cinq (5) ans à compter de la date d'achat, dans le cadre d'une utilisation domestique normale, en vertu des conditions, exclusions et exceptions suivantes.

La responsabilité **EURO-PRO Operating LLC** se limite au coût des réparations ou du remplacement de l'appareil, à sa discrétion. Cette garantie limitée ne couvre pas l'usure normale des pièces et ne s'applique pas aux appareils ayant été altérés ou utilisés à des fins commerciales. Cette garantie limitée ne couvre pas les dommages causés par une mauvaise utilisation, l'usage abusif, la négligence lors de la manipulation, un emballage inadéquat ou la mauvaise manipulation en transit. Cette garantie limitée ne couvre pas les dommages ou défauts causés par ou résultant du transport, des réparations, ou de l'entretien ni de l'altération du produit ou de ses pièces, effectué par un réparateur non autorisé par **EURO-PRO Operating LLC**.

Si votre appareil cesse de fonctionner correctement dans le cadre d'un usage domestique normal, et ce, pendant la période de garantie, vous pouvez retourner l'appareil en entier et ses accessoires, avec une preuve de la date d'achat, port payé. Pour le Soutien à la clientèle, appelez le 1-800-798-7398 ou visitez notre site Web : www.sharkclean.com.

Si **EURO-PRO Operating LLC** constate que l'appareil est défectueux, à la seule discrétion d'**EURO-PRO Operating LLC**, nous le réparerons ou le remplacerons sans frais. Vous devez inclure une preuve de la date d'achat ainsi qu'un chèque de 19,95 \$ au nom d'**EURO-PRO Operating LLC** pour couvrir les frais d'expédition et de manutention du retour du produit.*

Les pièces non durables, y compris, sans s'y limiter, les filtres, brosses et composants électriques exigeant normalement d'être remplacés, sont exclus de la garantie.

Cette garantie couvre l'acheteur initial du produit et exclut toute autre garantie légale, implicite ou conventionnelle. Le cas échéant, la responsabilité d'**EURO-PRO Operating LLC** se limite aux obligations spécifiques expressément énoncées au titre de cette garantie limitée. En **aucun cas EURO-PRO Operating LLC** ne peut être tenue responsable d'incidents ou de dommages indirects à quiconque et de toute nature que ce soit. Certains états et certaines provinces n'autorisent pas l'exclusion ou la limitation de dommages accessoires ou indirects; dans ce cas, cette disposition ne s'appliquerait pas.

Cette garantie limitée vous confère des droits juridiques précis pouvant varier d'un état ou d'une province à l'autre.

***IMPORTANT : Emballez soigneusement l'appareil pour éviter tout dommage lors du transport. Veillez à inclure la preuve de la date d'achat et de fixer une étiquette à l'appareil portant votre nom, adresse complète et numéro de téléphone, ainsi qu'une note précisant les détails de l'achat, le modèle et le problème associé à l'appareil. Nous vous recommandons d'assurer votre colis (puisque les dommages lors du transport ne sont pas couverts par la garantie). Indiquez sur l'extérieur de votre colis « ATTENTION : SERVICE À LA CLIENTÈLE ». Nous nous efforçons sans cesse d'améliorer nos produits et, de ce fait, les spécifications décrites dans ce guide sont sujettes à des changements sans préavis.**

Enregistrement du produit

Veillez visiter www.sharkclean.com ou composer le 1-800-798-7398 pour enregistrer votre nouveau produit **Shark^{MD}** dans les dix (10) jours suivant l'achat. Vous devrez fournir le nom du magasin, la date d'achat, le numéro de modèle, ainsi que votre nom et adresse.

L'enregistrement nous permettra de vous contacter en cas d'avis sur la sécurité du produit. En enregistrant votre produit, vous reconnaissez avoir lu et compris les instructions d'utilisation et les consignes de sécurité énoncées dans ce document.

EURO-PRO Operating LLC

U.S.: Newton, MA 02459

Canada: Ville St. Laurent, Québec H4S 1A7

1-800-798-7398

www.sharkclean.com

Copyright © Euro-Pro Operating LLC 2013

Droit d'auteur © Euro-Pro Operating LLC , 2013

Printed in China

Imprimé en Chine

Illustrations may differ from actual product.

Les illustrations peuvent différer du produit réel.

Euro-Pro, Shark, and Navigator Lift-Away are trademarks of Euro-Pro Operating LLC. All other brand names may be trademarks of their respective owners.

Euro-Pro, Shark et Navigator Lift-Away sont des marques de commerce de Euro-Pro Operating LLC. Toutes les autres marques sont des marques de commerce de leurs propriétaires respectifs.

UV440CCO.26.E.F.131112.1