

***Shark* IQ ROBOT**

S E L F - E M P T Y™ XL

Robot Vacuum
Aspirateur Robot

RV1001AEC Series • Série

OWNER'S GUIDE
GUIDE D'UTILISATION



IMPORTANT SAFETY INSTRUCTIONS

PLEASE READ CAREFULLY BEFORE USE • FOR HOUSEHOLD USE ONLY

If the charging cable plug does not fit fully into the outlet, reverse the plug. If it still does not fit, contact a qualified electrician. **DO NOT** force into outlet or try to modify to fit.

⚠ WARNING

To reduce the risk of fire, electric shock, injury, or property damage:

GENERAL WARNINGS

When using an electrical appliance, basic precautions should always be followed, including the following:

1. Robotic vacuum cleaner consists of a robotic vacuum and charging base with power supply. These components contain electrical connections, electrical wiring, and moving parts that potentially present risk to the user.
2. Before each use, carefully inspect all parts for any damage. If a part is damaged, discontinue use.
3. Use only identical replacement parts.
4. This robotic vacuum cleaner contains no serviceable parts.
5. Use only as described in this manual. **DO NOT** use the robotic vacuum cleaner for any purpose other than those described in this manual.
6. With the exception of filters, **DO NOT** expose any parts of the robotic vacuum cleaner to water or other liquids.

USE WARNINGS

7. This appliance can be used by persons with reduced physical, sensory or mental capabilities or lack of experience and knowledge if they have been given supervision or instruction concerning use of the appliance in a safe way and understand the hazards involved.
 - a) Children shall not play with the appliance.
 - b) Cleaning and user maintenance shall not be made by children without supervision.
8. Always turn off the robotic vacuum cleaner before inserting or removing the filter or dust bin.

9. **DO NOT** handle plug, charging base, charging cable, or robotic vacuum cleaner with wet hands. Cleaning and user maintenance shall not be made by children without supervision.
10. **DO NOT** use without robot dust bin and filters in place.
11. **DO NOT** damage the charging cord:
 - a) **DO NOT** pull or carry charging base by the cord or use the cord as a handle.
 - b) **DO NOT** unplug by pulling on cord. Grasp the plug, not the cord.
 - c) **DO NOT** close a door on the cord, pull the cord around sharp corners, or leave the cord near heated surfaces.
12. **DO NOT** put any objects into nozzle or accessory openings. **DO NOT** use with any opening blocked; keep free of dust, lint, hair, and anything that may reduce airflow.
13. **DO NOT** use if robotic vacuum cleaner airflow is restricted. If the air paths become blocked, turn the vacuum cleaner off and remove all obstructions before turning on the unit again.
14. Keep nozzle and all vacuum openings away from hair, face, fingers, uncovered feet, or loose clothing.
15. **DO NOT** use if robotic vacuum cleaner is not working as it should, or has been dropped, damaged, left outdoors, or dropped into water.
16. **DO NOT** place vacuum cleaner on unstable surfaces.

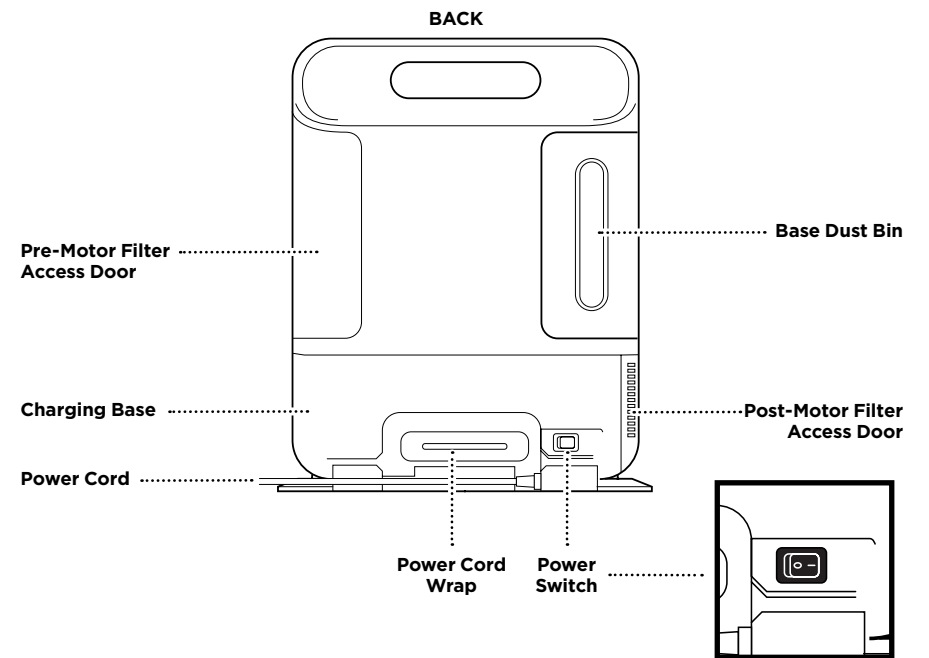
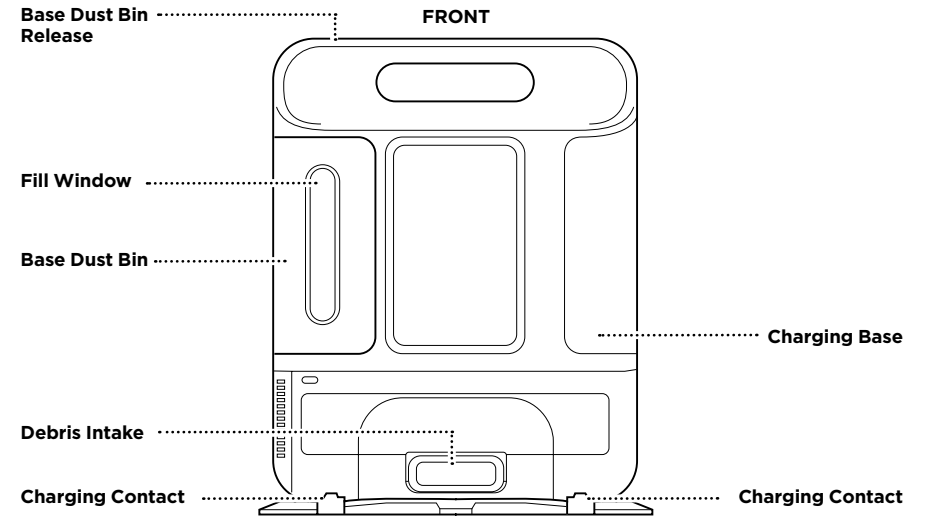
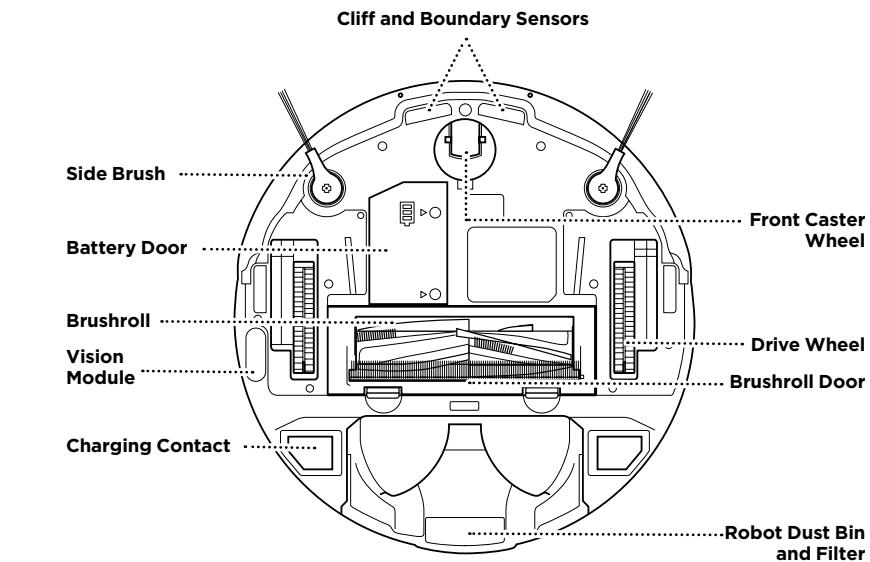
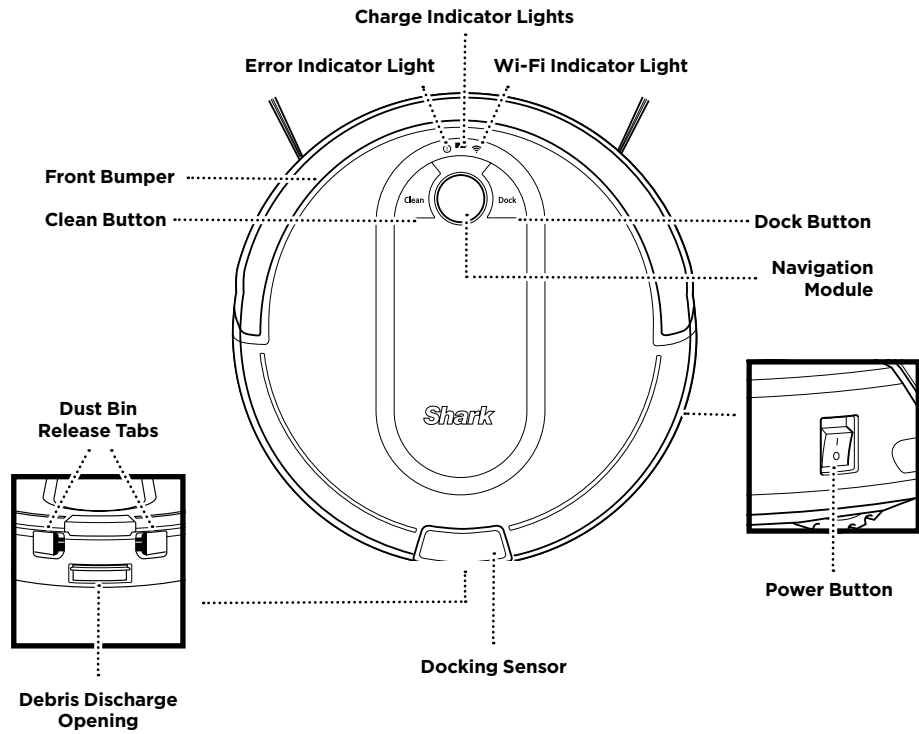
17. **DO NOT** use to pick up:
 - a) Liquids
 - b) Large objects
 - c) Hard or sharp objects (glass, nails, screws, or coins)
 - d) Large quantities of dust (drywall dust, fireplace ash, or embers).
DO NOT use as an attachment to power tools for dust collection.
 - e) Smoking or burning objects (hot coals, cigarette butts, or matches)
 - f) Flammable or combustible materials (lighter fluid, gasoline, or kerosene)
 - g) Toxic materials (chlorine bleach, ammonia, or drain cleaner)
18. **DO NOT** use in the following areas:
 - a) Wet or damp surfaces
 - b) Outdoor areas
 - c) Spaces that are enclosed and may contain explosive or toxic fumes or vapors (lighter fluid, gasoline, kerosene, paint, paint thinners, mothproofing substances, or flammable dust)
 - d) Near fireplaces with unobstructed entrances
 - e) An area with a space heater
19. Turn off the robotic vacuum cleaner before any adjustment, cleaning, maintenance or troubleshooting.
20. Allow all filters to air-dry completely before replacing in the robotic vacuum cleaner to prevent liquid from being drawn into electric parts.
21. **DO NOT** modify or attempt to repair the robotic vacuum cleaner or the battery yourself, except as indicated in this manual. **DO NOT** use the vacuum if it has been modified or damaged.
22. To reduce the risk of electric shock, this appliance has a polarized plug (one blade is wider than the other). This plug will fit in a polarized outlet only one way. If the plug does not fit fully in the outlet, reverse the plug. If it still does not fit, contact a qualified electrician to install the proper outlet. Do not change the plug in any way.
23. In case the self-empty base has a thermal shutoff the unit needs to have a hard power reset to restart.

BATTERY USE

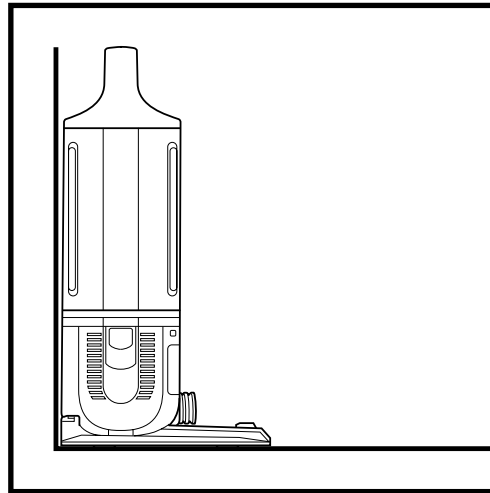
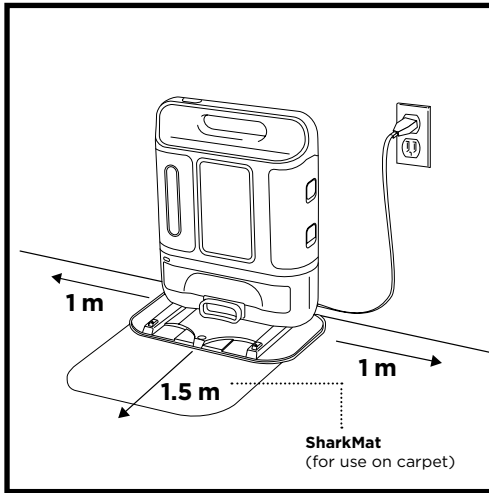
24. The battery is the power source for the vacuum. Carefully read and follow all charging instructions.
25. To prevent unintentional starting, ensure the vacuum is powered off before picking up or carrying the vacuum. **DO NOT** carry the appliance with your finger on the power switch.
26. Use **ONLY** the Shark® self-empty base XSKAEDOCK and use only battery RVBAT850. Use of batteries or battery chargers other than those indicated may create a risk of fire.
27. Keep the battery away from all metal objects such as paper clips, coins, keys, nails, or screws. Shorting the battery terminals together increases the risk of fire or burns.
28. Under abusive conditions, liquids may be ejected from the battery. Avoid contact with this liquid, as it may cause irritation or burns. If contact occurs, flush with water. If liquid contacts eyes, seek medical help.
29. Robotic vacuum cleaner should not be stored, charged, or used at temperatures below 50°F (10°C) or above 104°F (40°C). Ensure the battery and vacuum have reached room temperature before charging or use. Exposing the robot or battery to temperatures outside of this range may damage the battery and increase the risk of fire.
30. **DO NOT** expose the robotic vacuum cleaner or battery to fire or temperatures above 265°F (130°C) as it may cause explosion.
31. Non-rechargeable batteries cannot be recharged.

SAVE THESE INSTRUCTIONS

For the latest warnings and cautions, go to sharkclean.com/robothelp



BASE SETUP



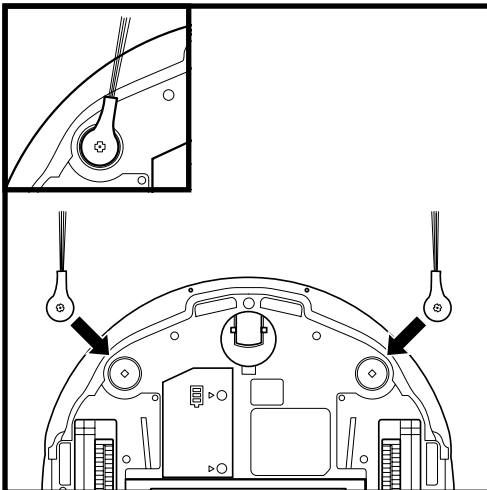
The **Self-Empty Base** charges your robot and holds dirt and debris from up to 30 days of cleaning. Select a permanent location for the base, because every time you relocate it, your robot will have to completely re-map your house.

Choose a level surface in a central area. Remove any objects that are closer than 1 m from either side of the base, or closer than 1.5 m from the front. Place the base with its back against the wall in an area with a good Wi-Fi signal. Set up the base on **hard floor**, or on the **SharkMat**. Plug in the **Charging Cord**, and turn on the power switch in the back of the base. The base must be plugged in continuously for the robot to find it. The **Indicator Light** will illuminate green when the base has power.

NOTE: For best results, set up on hard floor or thin carpet, or use the SharkMat..

NOTE: Do not place base against heating elements or baseboards, or in direct sunlight.

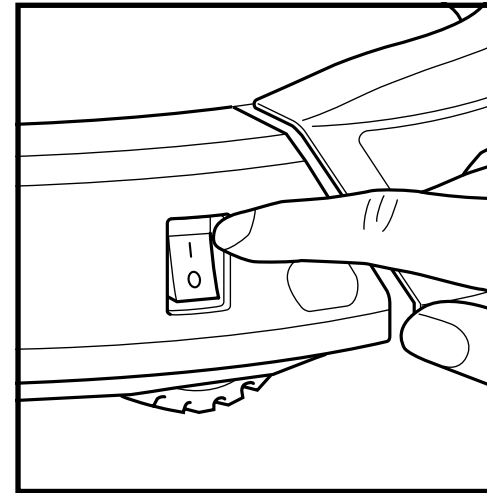
INSTALLING THE SIDE BRUSHES



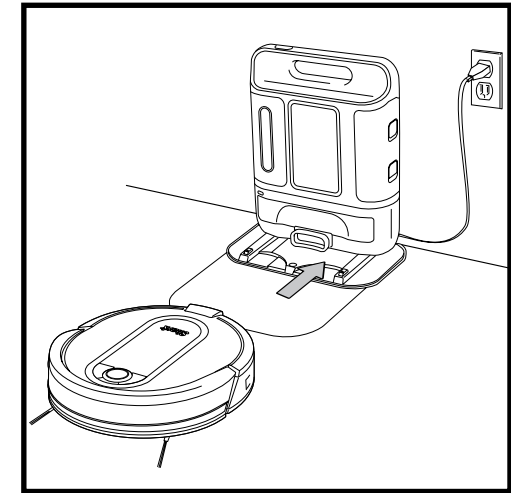
Snap the 2 included **Side Brushes** onto the square pegs on the bottom of the robot.

CHARGING

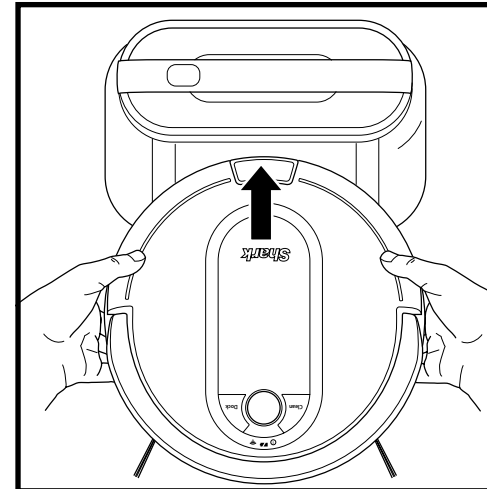
IMPORTANT: The Shark iQ Robot™ has a pre-installed rechargeable battery. Battery should be fully charged before using. It may take up to 6 hours to fully charge.



To charge, the **Power** button on the side of the robot must be in the ON position (I). The robot will beep when charging begins.



When the cleaning cycle is complete, or if the battery is running low, the robot will search for the base. If your robot doesn't return to the base, its charge may have run out.

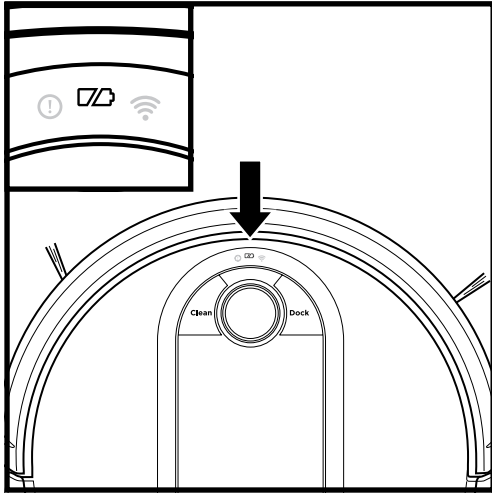


If the robot has no charge and cannot return to the base, manually place it on the base. The base indicator light will flash blue and the robot will beep when charging begins.

NOTE: When manually placing the robot on the base, make sure the **Charging Contacts** on the bottom of the robot are touching the ones on the base and the robot's dust bin is touching the debris intake on the base. While the robot is charging, both blue LED lights will flash. When charging is complete, both blue lights will illuminate steadily.

NOTE: When picking up the robot be careful not to place fingers between the bumper and the base of the robot.

CHARGE INDICATOR LIGHTS



In Use



While Charging (Blue)



No Charge or Off

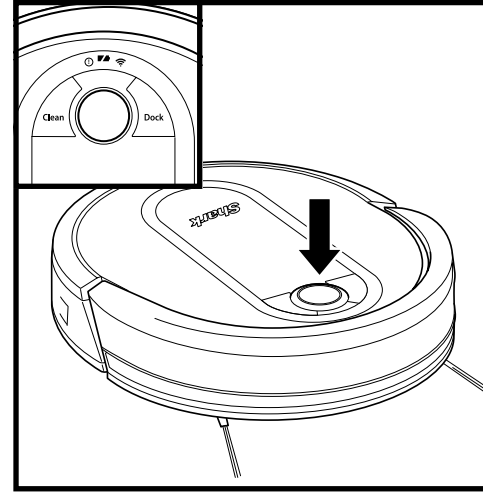


The blue indicator lights on the robot show how much charge is remaining.

While the robot is charging, both blue LED lights will flash. When charging is complete, both blue lights will illuminate steadily. It may take up to 6 hours to fully charge your robot.

NOTE: If the low charge light is blinking red, there is not enough charge for the robot to return to the base. Manually place the robot on the base.

BUTTONS AND INDICATOR LIGHTS



CHARGE INDICATOR LIGHTS

Display the amount of charge remaining in the battery.



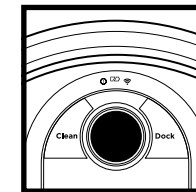
“!” ERROR INDICATOR

See Troubleshooting section for full list of error codes.



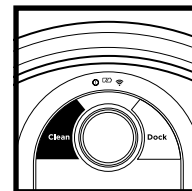
WI-FI INDICATOR

Blue light: connected to Wi-Fi.
Red light: not connected.
Flashing blue: setup mode.
No light: not set up yet.



NAVIGATION MODULE

Please keep clear and do not cover.
Upward-facing sensor that identifies unique reference points to aid advanced navigation.



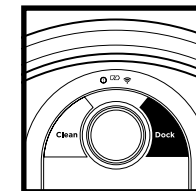
CLEAN BUTTON

Press to begin a cleaning session. Press again to stop.

RECHARGE & RESUME

Press and hold the CLEAN button for 15 seconds to turn Recharge & Resume ON or OFF.

Turn ON Recharge & Resume for complete coverage in larger homes. Your robot will return to the base, recharge, and can pick up cleaning where it left off.



DOCK BUTTON

Press to stop cleaning and send robot back to the charging base.

EVACUATE & RESUME

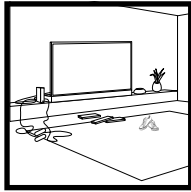
Press and hold the DOCK button for 15 seconds to turn Evacuate & Resume ON or OFF.

Turn ON Evacuate & Resume for homes with pets. Your robot will return to the base to empty the dust bin more frequently, then resume cleaning where it left off.

PREP YOUR HOME

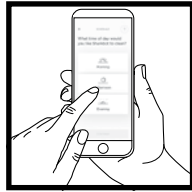
Your robot uses an array of sensors to navigate around walls, furniture legs, and other obstacles while it cleans. To prevent the robot from bumping into objects or navigating to areas you don't want it to, use the included BotBoundary™ strips. For best results, prepare your home as indicated below, and schedule a daily cleaning to ensure all floor areas are regularly maintained.

NOTE: Scheduling can only be done in the app.



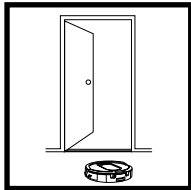
OBSTRUCTIONS

Clear cords and small objects from floors and open doors to ensure a complete map of your home.



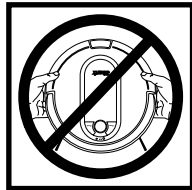
SCHEDULING

For a constant state of clean, set up a cleaning schedule in the app.



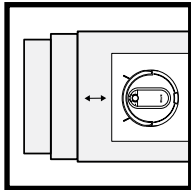
THRESHOLDS

Your robot may have some trouble clearing some high thresholds. Block off high thresholds with the included BotBoundary strips.



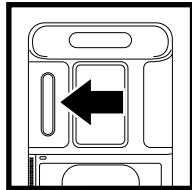
AVOID MOVING THE ROBOT OR BASE

While your robot is cleaning, do not pick it up and move it, or move the charging base—this could impact the robot's ability to map your home.



STAIRS

Your robot's cliff sensors will prevent it from falling off ledges. For your robot's cliff sensors to work properly, all runners, rugs, or carpets must be at least 20 cm (8") from any stairs (or extend over the edge of the stairs.)



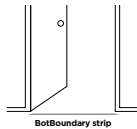
CHECK BASE FILL LEVEL

During the first few weeks, your robot will empty more often than usual. Check the fill level regularly. The dust bin is designed to hold up to 30 days' worth of debris, but home environments vary, and the bin may fill up quicker in some homes.

BOTBOUNDARY STRIPS

USAGE INSTRUCTIONS

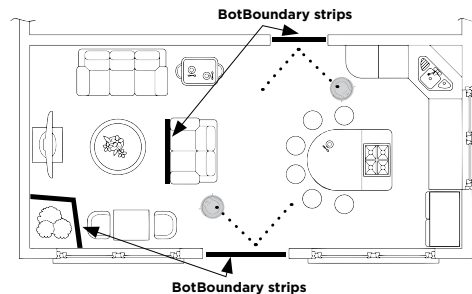
1. You can cut BotBoundary strips to shorten them as needed. (**45 cm or 18" minimum**).
2. Make sure each BotBoundary strip lies completely **flat** against the floor.
3. For best results, place the strips between fixed objects like furniture legs or door frames.



PREPPING YOUR HOME USING BOTBOUNDARY STRIPS

Use the BotBoundary strips to quickly and easily create "no-go zones" to keep your robot out of the areas you would like it to avoid. These may include:

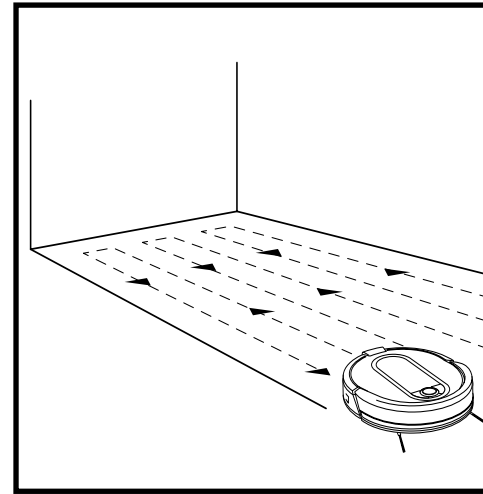
- Near power cords
- In front of high thresholds



WARNING: Do not put BotBoundary strips near any stairs or cliffs.

WARNING: Do not place BotBoundary strips on top of one another.

MAPPING AND NAVIGATION



As it cleans, your robot will create a map of your home. It may take several cleanings for the robot to finish its mapping. Once mapping is complete, an **Interactive Map** of your floor plan will be available on the app.



The interactive map in the app allows you to name rooms, then select which rooms to clean, and send the robot immediately to clean one specific location.

As cleanings continue, the robot will update and refine its path to provide optimized cleaning coverage. After each use, a cleaning report will be available in the app.

MANUAL CLEANING MODE

To manually start a cleaning cycle, press the **Clean** button on the robot or on the mobile app. To stop the robot before it finishes cleaning and automatically returns to the base, press the Dock button.

NOTE: Be sure to charge the robot completely before its first cleaning so that it can explore, map, and clean as much of your home as possible. It may take up to 6 hours to fully charge the robot.

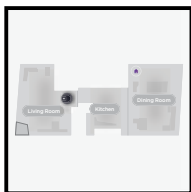
NOTE: Avoid picking up and moving the robot or base. If either are relocated, the robot may not be able to follow its intelligent cleaning path, or find its way back to the base. If the robot is picked up or moved for any reason, it should be returned to within 6 inches of its last location.

USING THE SHARK IQ ROBOT™

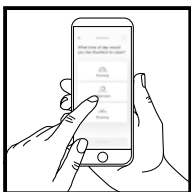
Please visit sharkclean.com/app or call 1-855-460-5423 for answers to all your app questions.

USING THE SHARKCLEAN™ APP AND VOICE CONTROLS

Get the most out of your Shark iQ Robot with these app features:



- **Interactive Map**
Your robot knows where it is in your home. Identify rooms for Room Select.
- **Room Select**
Immediately Send your robot directly to any room on that floor.
- **Recharge and Resume**
Use Recharge and Resume to help ensure complete, multi-room coverage in your home.



- **Scheduling**
Set whole home cleanings for any time, any day.
- **Control From Anywhere**
Wherever you are, you're in control of your robot.
- **Cleaning Reports**
Each time your robot cleans, your app will generate a cleaning report.

Search for **SharkClean** in the app store and download the app to your iPhone™ or Android™.



SETTING UP VOICE CONTROL WITH THE GOOGLE ASSISTANT OR AMAZON ALEXA

Visit sharkclean.com/app for setup instructions which include how to enable Shark Skill for Amazon Alexa and using with Google Assistant.

Google Assistant:

- “OK Google, tell Shark to start cleaning.”
- “OK Google, tell Shark to pause my robot.”
- “OK Google, tell Shark to send my robot to the dock.”

Amazon Alexa:

- “Alexa, tell Shark to start cleaning.”
- “Alexa, tell Shark to pause my robot.”
- “Alexa, tell Shark to send my robot to the dock.”

WI-FI TROUBLESHOOTING

- To use the app, your phone must be connected to a **2.4 GHz** network. The app will only work on a 2.4 GHz network.
- Typical home Wi-Fi networks support both 2.4 GHz and 5 GHz.
- Do not use a VPN or a proxy server.
- Make sure Wi-Fi isolation is turned off on the router.
- If you cannot connect, call 1-855-460-5423.

WI-FI TROUBLESHOOTING ISSUES?

Restart your phone

Reboot your robot

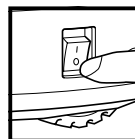
- Make sure the power switch on the back of the BASE is in the ON position.
- Press the power button on the side of the ROBOT to the OFF position for 10 seconds, then press it again to turn power back ON.

Reboot your router

- Unplug the router power cable for 30 seconds, then plug it back in. Allow several minutes for your router to reboot completely.

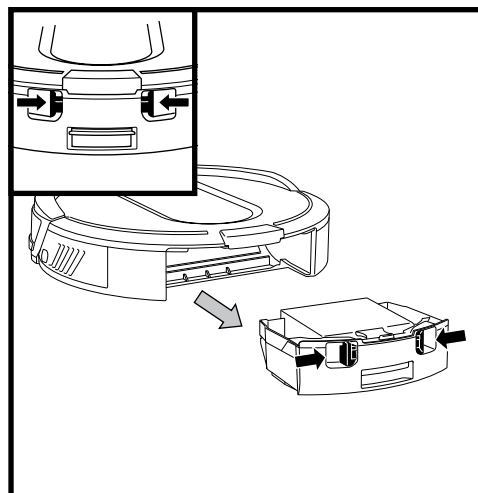
ERROR CODE	PROBLEM
! (RED) + Wi-Fi indicator (RED Flashing)	Wrong password for Wi-Fi
! (Flashing red) + Wi-Fi (RED)	SSID cannot be found, try connecting again
! + Wi-Fi (Flashing RED alternately)	Wrong user name or password for your Shark account
! + Wi-Fi (Flashing RED at the same time)	Cannot connect to Wi-Fi

MAINTENANCE

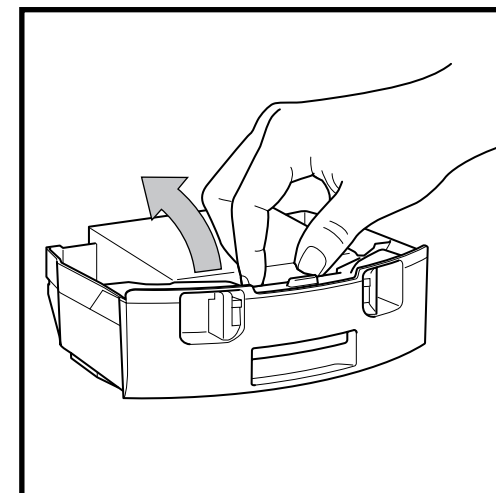


CAUTION: Turn off power before performing any maintenance.

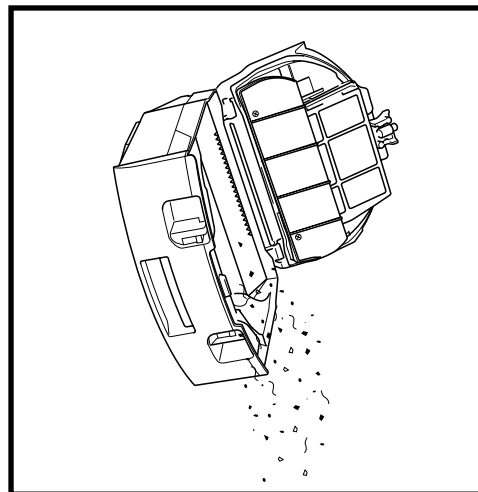
EMPTYING THE ROBOT DUST BIN



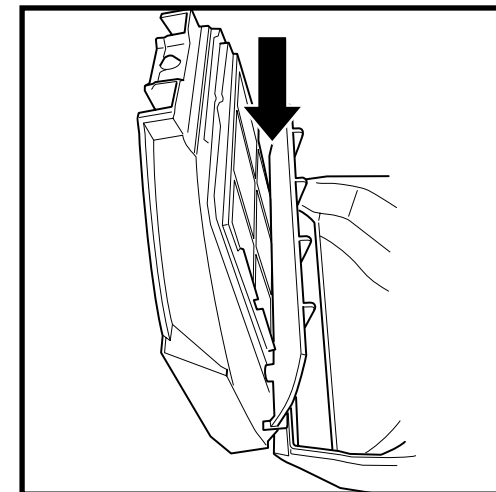
Press the **Dust Bin Release Tabs** and slide out the dust bin.



To avoid spills, be sure to hold the dust bin in an upright position. Pinch and lift to open the lid.



Empty debris and dust into trash.

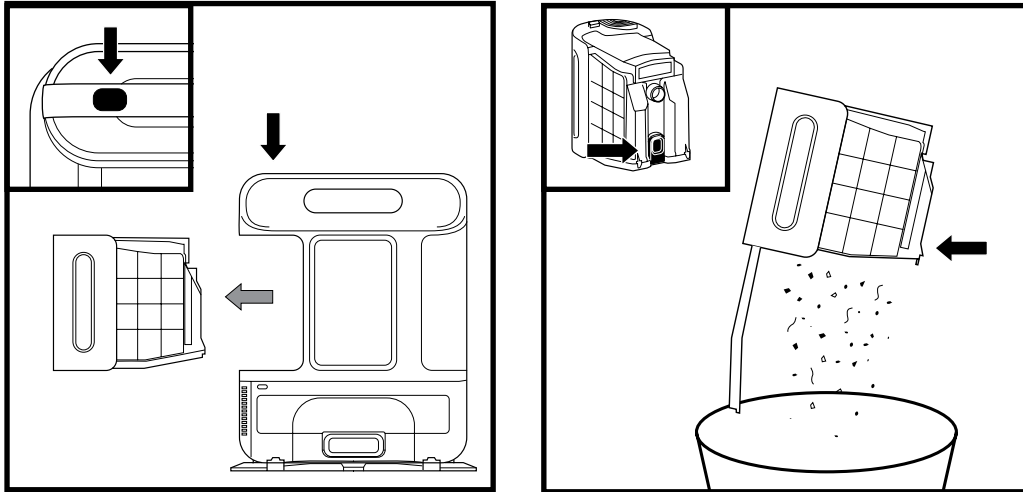


Look between the filter and plastic shield and make sure there is no debris buildup.

Remove and clean any debris build-up as needed with a dry cloth or soft brush.

MAINTENANCE

EMPTYING THE BASE DUST BIN



The **Base Dust Bin** holds up to 30 days' worth of dust and debris. Empty the bin when the debris level approaches the max fill line.

To detach the bin, press and hold the **Release** button on the top and slide out the bin.

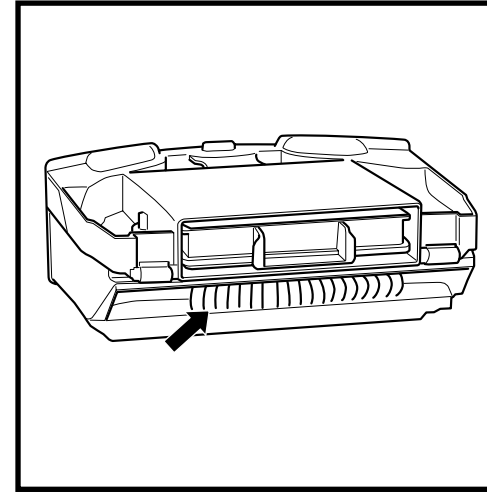
To empty the bin, hold it over a trash can and press the **Empty** button.

MAINTENANCE

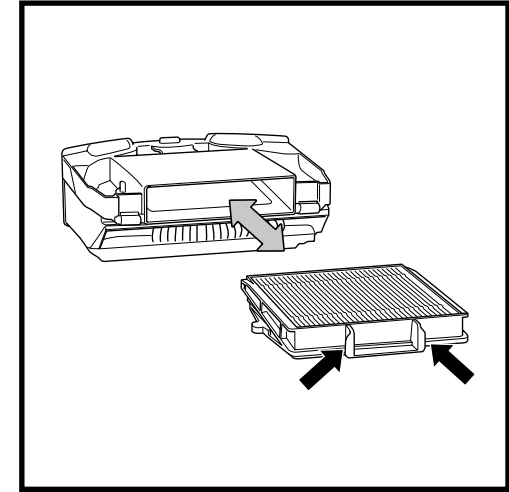
CLEANING AND REPLACING THE ROBOT FILTER

For optimal suction power, regularly clean and replace the filter inside the robot's dust bin. See sharkaccessories.com for replacement filters.

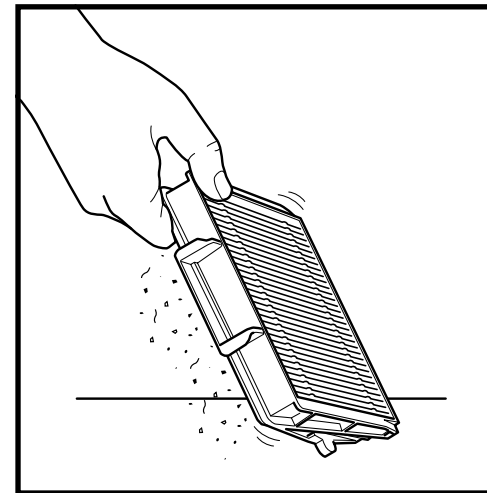
IMPORTANT: DO NOT use water to clean the robot filter.



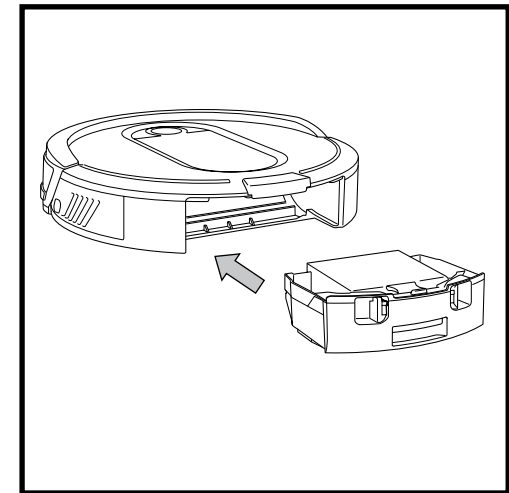
Remove and empty the robot dust bin. Clean any hair or debris off the **Anti-Tangle Comb** on the back of the dust bin.



Pull filter out of the dust bin by the tabs.



Lightly tap the filter to remove dust and debris.



Reinsert the filter into the robot dust bin, then slide the dust bin back into the robot.

NOTE: Make sure to insert the dust bin completely, until it clicks into place.

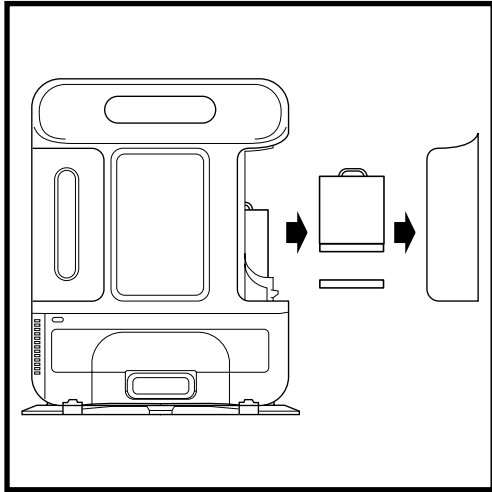
MAINTENANCE

CLEANING AND REPLACING THE BASE FILTERS

Regularly clean and replace your filters to keep your vacuum's suction power optimal.

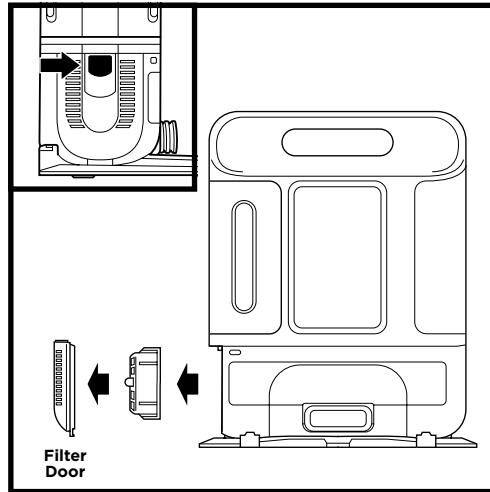
To clean filters, rinse with cold water **ONLY** to prevent damage from cleaning chemicals. Allow all filters to air-dry for at least 24 hours before reinstalling them to prevent liquid from being drawn into electric parts.

IMPORTANT: DO NOT use soap when cleaning the filters.



CLEAN PRE-MOTOR FILTERS ONCE A MONTH

Remove the **Pre-Motor Filter Access Door**, then lift out both **Pre-Motor Filters**.



CLEAN POST-MOTOR FILTER EVERY YEAR

Press the button at the top of the **Filter Door**, then tilt the door and lift it off. Remove the **Post-Motor Filter** from the base. To reinstall the post-motor filter, insert it into the base and replace the filter door.

NOTE: The pre-motor foam and felt filters should be replaced every 2.5 years. The post-motor filter should be replaced every 3 years.

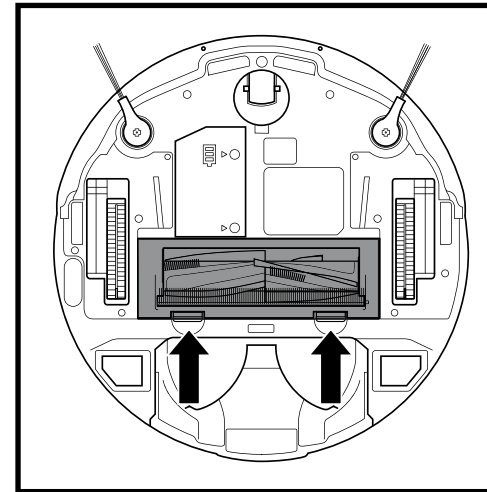
NOTE: Clean the mesh filter inside the dust bin with a small brush once a month.

MAINTENANCE

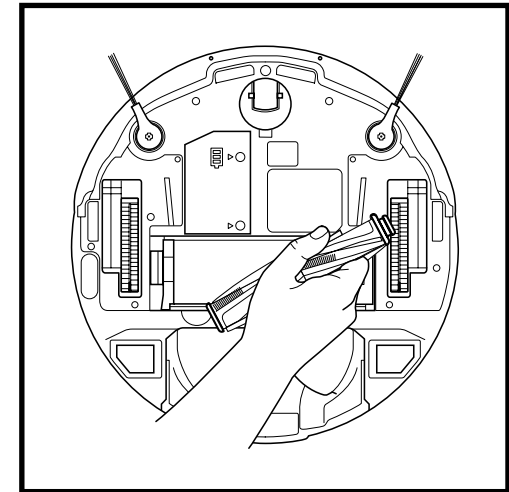
BRUSHROLL

The **Brushroll** removes debris over time as it cleans. If some debris remains wrapped around the brushroll, continue cleaning to allow the brushroll to remove it.

If some debris remains on the brushroll after continued cleaning, follow the steps below to remove it.



To access the brushroll, push up on the tabs on the brushroll access door, then lift off the door.



Lift out the brushroll. Clean off any debris. Reinstall the brushroll, inserting the flat end first.

Close the brushroll access door and press down until both sides click into place.

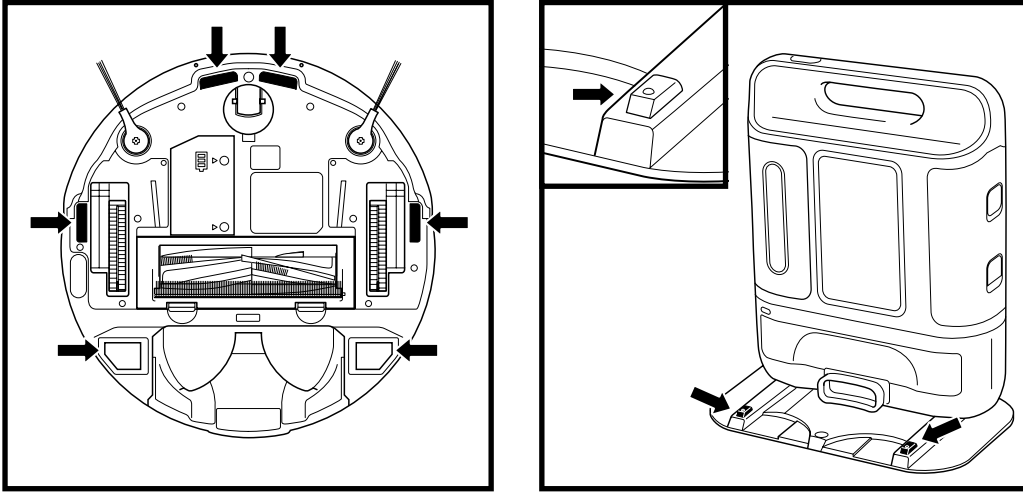
NOTE: When cutting away debris, be sure not to cut the brushroll.

NOTE: Replace brushroll every 6 to 12 months, or when visibly worn. See sharkaccessories.com for replacement parts.

MAINTENANCE

CLEANING SENSORS AND CHARGING PADS

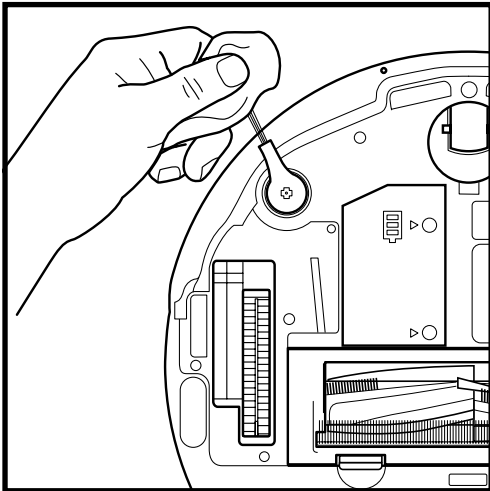
CLEAN SENSORS AND CHARGING PADS AS NEEDED. With a dry cloth, gently dust off the sensors and pads located on the bottom of the robot and on the base.



IMPORTANT: The robot uses cliff sensors to avoid stairs and other steep drops. Sensors may work less effectively when they are dirty. For best results, clean sensors regularly.

CLEANING SIDE BRUSHES

CLEAN SIDE BRUSHES AS NEEDED.



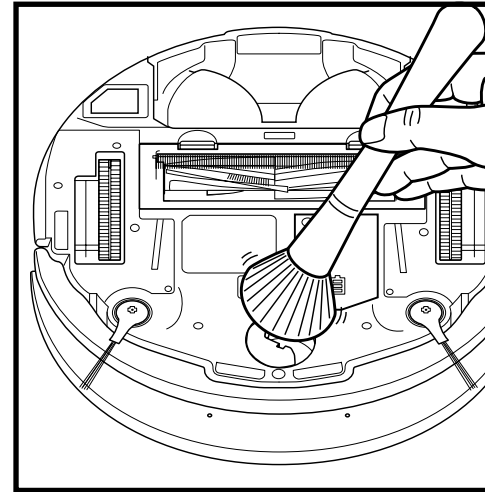
Carefully unwind and remove any string or hair wrapped around brushes.
Gently wipe brushes with a dry cloth. To reinstall, snap the brushes over the pegs. Spin the brushes manually to make sure they are installed correctly.

NOTE: Remove and replace any side brushes that are bent or damaged. To remove a brush, lift it off its peg.

MAINTENANCE

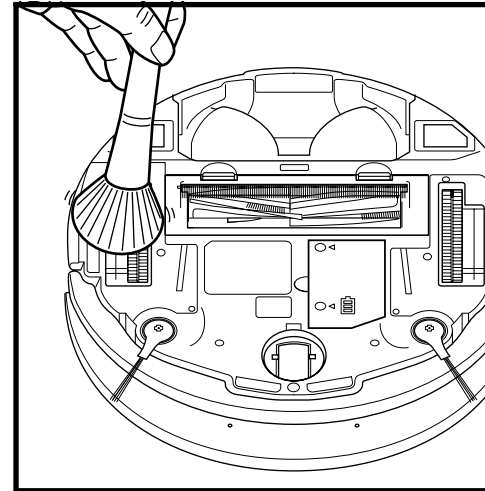
CLEANING THE WHEELS

CLEAN THE FRONT CASTER WHEEL AS NEEDED. See sharkaccessories.com for replacement parts.



Clean the wheel housing.

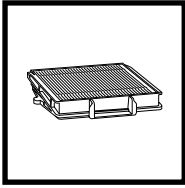
NOTE: Tools may be required to pry off front caster wheel.
NOTE: Brush not included.



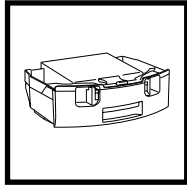
Periodically clean the drive wheels and the housing around them. To clean, rotate each drive wheel while dusting.

REPLACEMENT PARTS

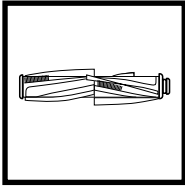
REPLACEMENT PARTS: ROBOT



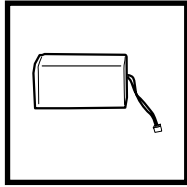
Filter
RVFFK950



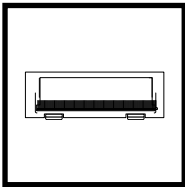
Robot Dust Bin
101KY1000AE



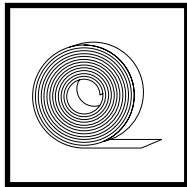
Self-Cleaning Brushroll
103KY1000



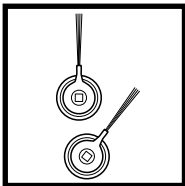
Battery
RVBAT850



Brushroll Door
109KY1000

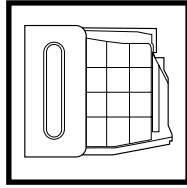


BotBoundary™
RVBBK850

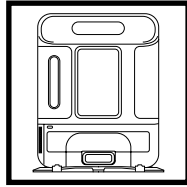


Side Brushes
102KY1000

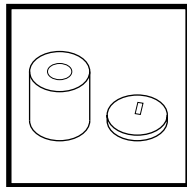
REPLACEMENT PARTS: BASE



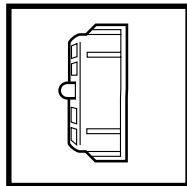
Base Dust Bin
116KY1000A



Self-Empty Base
XDKR1000A



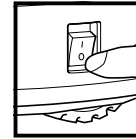
Pre-Motor Foam & Felt Filter Kit
XMFR1000A



Replacement Post-Motor Filter
107KY1000AE

NOTE: To order replacement parts and filters, visit sharkaccessories.com.

MAINTENANCE



CAUTION: Turn off power before performing any maintenance.

TROUBLESHOOTING

If any error lights are illuminated or flashing on your Shark iQ Robot™, see the error code chart below:

ERROR CODE	SOLUTION
CLEAN (RED) flashing	Robot may be stuck on an obstacle. Move robot to a new location on a level surface.
DOCK (RED) flashing	Front bumper may be jammed. Clean the bumper and make sure it moves in and out freely.
CLEAN (BLUE) + DOCK (RED) solid	BotBoundary™ error. Move your robot to a flat surface away from the magnetic boundary strip and try cleaning again.
CLEAN (RED) + DOCK (BLUE) flashing	Cliff sensor error. Move your robot to a new location and clean its cliff sensors.
CLEAN (RED) + DOCK (RED) flashing	Robot dust bin needs to be reinstalled. Insert the dust bin until it clicks in place.
DOCK (RED) + ! (RED) flashing	Side brush is stuck. Remove any debris from around the side brushes so they move freely.
CLEAN (RED) + DOCK (RED) + ! (RED) flashing	A drive wheel is stuck. Clean the wheels and remove any debris wrapped around the axles so they can move freely.
CLEAN (RED) + DOCK (BLUE) alternating	Robot is stuck. Move your robot to a new location and make sure the front bumper moves in and out freely.
CLEAN (BLUE) + ! (RED) flashing	Blockage in brushroll. Remove any debris from around the brushroll so that it can spin freely.
CLEAN (RED) + DOCK (BLUE) + ! (RED) flashing	Robot has encountered an error while booting. Please turn the power off and back on.
CLEAN (BLUE) + DOCK (RED) flashing	Make sure your base indicator light turns blue to confirm your robot is placed on the base correctly.
BATTERY ICON (RED) flashing	Battery is critically low and needs recharging. Please pick up your robot and place it on the base. Make sure the base indicator light turns blue to confirm your robot is placed on the base correctly.
CLEAN (RED) + ! (RED) alternating	Blockage in brushroll. Remove any debris from around the brushroll so that it can spin freely.
DOCK (RED) FLASHING + ! (RED) solid	Blockage in dust bin. Check base and robot dust bin for clogs. Clear any debris and reinstall the dust bin, ensuring that it clicks into place.
DOCK (BLUE) + ! (RED) flashing	Robot has encountered an error while charging. Please make sure you are using the correct power cord for the base.
CLEAN (RED) + ! (RED) flashing	Suction motor failure. Remove and empty the dust bin, clean the filters, and remove blockages.
CLEAN (BLUE) + DOCK (RED) + ! (RED) flashing	Wheel motor encoder failure. Please contact Shark Customer Service at 1-855-460-5423.

For all other issues, please call Customer Service at 1-855-460-5423.

END-USER LICENSE AGREEMENT FOR SHARKNINJA SOFTWARE

IMPORTANT: PLEASE READ THE TERMS AND CONDITIONS OF THIS LICENSE AGREEMENT CAREFULLY BEFORE CONTINUING WITH THIS PROGRAM INSTALL OR USE OF THIS PRODUCT: SharkNinja Operating LLC's ("SharkNinja") End-User License Agreement ("EULA") is a legal agreement between You (either a single entity or an individual) and SharkNinja for SharkNinja's Software Applications, including those installed by You onto your SharkNinja products or already installed on your device, including all firmware (referred hereafter as "SN APPS"). By installing, copying, checking a box, clicking a button confirming your agreement to these terms, or otherwise continuing to use the SN APPS, You agree to be bound by the terms of this EULA. This license agreement represents the entire agreement concerning SN APPS between You and SharkNinja, and it supersedes any prior proposal, representation, or understanding between the parties. If You do not agree to the terms of this EULA, do not install or use the SN APPS or this product. The SN APPS are protected by copyright laws and international copyright treaties, as well as other intellectual property laws and treaties.

1. GRANT OF LICENSE. The SN APPS are licensed as follows:

1.1 Installation and Use. SharkNinja grants You the right to download, install, and use SN APPS on the specified platform for which the SN APP was designed and in connection with SharkNinja products with which the SN APPS are designed to operate ("SN Devices").

1.2 Backup Copies. You may also make a copy of SN APPS downloaded and installed by You for backup and archival purposes.

2. DESCRIPTION OF OTHER RIGHTS AND LIMITATIONS.

2.1 Maintenance of Copyright Notices. You must not remove or alter any copyright notices on any and all copies of the SN APPS.

2.2 Distribution. You may not distribute copies of the SN APPS to third parties.

2.3 Prohibition on Reverse Engineering, Decompilation, and Disassembly. You may not reverse engineer, decompile, or disassemble SN APPS, except and only to the extent that such activity is expressly permitted by applicable law notwithstanding this limitation.

2.4 Rental. You may not rent, lease, or lend SN APPS without written permission from SharkNinja.

2.5 NOT FOR RESALE SOFTWARE. Applications identified as "Not for Resale" or "NFR," may not be resold, transferred, or used for any purpose other than demonstration, test, or evaluation.

2.6 Support Services. SharkNinja may provide You with support services related to SN APPS ("Support Services"). Any supplemental software code provided to You as part of the Support Services shall be considered part of SN APPS and subject to the terms and conditions of this EULA.

2.7 Compliance with Applicable Laws. You must comply with all applicable laws regarding use of SN APPS.

3. UPDATES. SharkNinja may provide You with upgrades or updates to SN APPS. This EULA will govern any upgrades provided by SharkNinja that replace and/or supplement SN APPS, unless such upgrade is accompanied by a separate EULA, in which case the terms of that EULA will govern. If You decide not to download and use an upgrade or update provided by SharkNinja, You understand that You could put SN Apps at risk to serious security threats or cause SN Apps to become unusable or unstable.

4. DATA AND PRIVACY. SharkNinja is committed to ensuring your privacy by adhering to high standards of fairness and integrity. We are committed to keeping our customers informed about how we use the information we gather from You through the use of each of our websites or SN APPS. Our privacy practices are described in SharkNinja's Privacy Policy, as well as in separate notices given when an app, product, or service is purchased or downloaded. By using SN APPS or providing us with your personal information, You are accepting and consenting to the practices, terms, and conditions described in SharkNinja's Privacy Policy. At all times your information will be treated in accordance with the SharkNinja Privacy Policy, which is incorporated by reference into this EULA and can be viewed at the following URL:

<http://www.sharkninja.com/privacypolicy>.

5. THIRD-PARTY APPLICATION LIBRARIES AND EMBEDDED SOFTWARE.

5.1 You acknowledge that Ayla Networks, Inc. ("Ayla") has provided certain application libraries that have been embedded into SN APPS ("Ayla Application Libraries") and enables SN Devices to connect to the Ayla Cloud Service ("Ayla Embedded Software").

5.2 You will not use the Ayla Application Libraries except as an incorporated portion of SN APPS, unmodified from the form provided to You.

5.3 You will not use the Ayla Embedded Software except as an incorporated portion of SN Devices, unmodified from the form provided to You.

5.4 You will not modify, adapt, translate, or create derivative works based on, or decompile, disassemble, reverse engineer, or otherwise attempt to derive the source code or underlying algorithms of, the Ayla Application Libraries or the Ayla Embedded Software.

5.5 SharkNinja retains all ownership of SN APPS (and the Ayla Application Libraries contained therein) and any software installed on SN Devices (including the Ayla Embedded Software) and only a license thereto is granted to You for use in connection with the SN APPS and SN Devices.

END-USER LICENSE AGREEMENT FOR SHARKNINJA SOFTWARE

5.6 You will not use the Ayla Application Libraries or Ayla Embedded Software to attempt to gain unauthorized access to or use of the systems/services of SharkNinja's other licensors; nor will You transmit viruses, worms, Trojan horses, time bombs, spyware, malware, cancelbots, passive collection mechanisms, robots, data mining software, or any other malicious or invasive code or program into the systems/services of SharkNinja's other licensors.

5.7 You will not use the Ayla Application Libraries or Ayla Embedded Software to interfere with, breach, or circumvent any security feature, authentication feature, or any other feature that restricts or enforces limitations on the use of, or access to, the systems/services of SharkNinja's other licensors.

5.8 You will not probe, attack, scan, or test the vulnerability of the systems/services of SharkNinja's other licensors.

5.9 SharkNinja's other licensors of the SN APPS, Ayla Application Libraries, and the Ayla Embedded Software are the express third-party beneficiaries of this EULA, and the provisions of this Section of this EULA are made expressly for the benefit of such licensors, and are enforceable by such licensors.

6. TERMINATION. Without prejudice to any other rights, SharkNinja may terminate this EULA if You fail to comply with the terms and conditions of this EULA. In such event, You must destroy all copies of SN APPS in your possession.

7. COPYRIGHT. All title, including but not limited to copyrights, in and to SN APPS and any copies thereof are owned by SharkNinja or its suppliers. All title and intellectual property rights in and to the content which may be accessed through use of SN APPS are the property of the respective content owner and may be protected by applicable copyright or other intellectual property laws and treaties. This EULA grants You no rights to use such content. All rights not expressly granted are reserved by SharkNinja.

8. OPEN SOURCE SOFTWARE. You hereby acknowledge that SN APPS may contain software that is subject to "open source" or "free software" licenses ("Open Source Software"). The license granted by this EULA does not apply to Open Source Software contained in the SN APPS. Rather, the terms and conditions in the applicable Open Source Software license shall apply to the Open Source Software. Nothing in this EULA limits your rights under, or grants You rights that supersede, any Open Source Software license. You acknowledge that the Open Source Software license is solely between You and the applicable licensor of the Open Source Software. To the extent the terms of the licenses applicable to the Open Source Software require SharkNinja to provide the Open Source Software, in either source or executable form, or to provide copies of applicable license terms or other required information, You may obtain a copy of the software by contacting SharkNinja at the below physical address. Additional information about the Open Source Software, and its terms of use, may be found at www.sharkclean.com/opensource.

9. NO WARRANTIES. SharkNinja expressly disclaims any warranty for SN APPS, Ayla Application Libraries, or Ayla Embedded Software. SN APPS, Ayla Application Libraries, and Ayla Embedded Software are provided 'As Is' without any express or implied warranty of any kind, including but not limited to any warranties of merchantability, noninfringement, fitness of a particular purpose, or title. SharkNinja does not warrant or assume responsibility for the accuracy or completeness of any information, text, graphics, links, or other items contained within the SN APPS. SharkNinja makes no warranties respecting any harm that may be caused by the transmission of a computer virus, worm, logic bomb, or other such computer program. SharkNinja further expressly disclaims any warranty or representation to any third party.

10. LIMITATION OF LIABILITY. In no event shall SharkNinja or its suppliers be liable for any special, incidental, punitive, indirect, or consequential damages whatsoever (including, but not limited to, damages for loss of profits or confidential or other information, for business interruption, for personal injury, for loss of privacy, for failure to meet any duty including of good faith or of reasonable care, for negligence, and for any other pecuniary or other loss whatsoever) arising out of or in any way related to the use of or inability to use SN Devices or SN APPS, the provision of or failure to provide support or other services, information, software, and related content through the product or otherwise arising out of the use of SN APPS, or otherwise under or in connection with any provision of this EULA, even in the event of the fault, tort (including negligence), strict liability, breach of contract, or breach of warranty of SharkNinja or any supplier, and even if SharkNinja or any supplier has been advised of the possibility of such damages. SharkNinja shall have no liability with respect to the content of the SN APPS or any part thereof, including but not limited to errors or omissions contained therein, libel, infringements of rights of publicity, privacy, trademark rights, business interruption, personal injury, loss of privacy, moral rights, or the disclosure of confidential information.

11. APPLICABLE LAW. The laws of the Commonwealth of Massachusetts will govern this EULA and You hereby consent to exclusive jurisdiction and venue in the state and federal courts sitting in the Commonwealth of Massachusetts.

12. ASSIGNMENT. SharkNinja may assign this EULA without notice to Licensor.

13. ENTIRE AGREEMENT. This EULA (including any addendum or amendment to this EULA which is included with the SN Devices) is the entire agreement between You and SharkNinja relating to the SN APPS and supersedes all prior or contemporaneous oral or written communications, proposals and representations with respect to the SN APPS or any other subject matter covered by this EULA. To the extent the terms of any SharkNinja policies or programs for support services conflict with the terms of this EULA, the terms of this EULA shall control.

If You have questions regarding this EULA, please contact SharkNinja at 89 A Street, Suite 100, Needham, MA 02494.

ONE (1) YEAR LIMITED WARRANTY

The One (1) Year Limited Warranty applies to purchases made from authorized retailers of **SharkNinja Operating LLC**. Warranty coverage applies to the original owner and to the original product only and is not transferable.

SharkNinja warrants that the unit shall be free from defects in material and workmanship for a period of one (1) year from the date of purchase when it is used under normal household conditions and maintained according to the requirements outlined in the Owner's Guide, subject to the following conditions and exclusions:

What is covered by this warranty?

1. The original unit and/or non-wearable components deemed defective, in SharkNinja's sole discretion, will be repaired or replaced up to one (1) year from the original purchase date.
2. In the event a replacement unit is issued, the warranty coverage ends six (6) months following the receipt date of the replacement unit or the remainder of the existing warranty, whichever is later. SharkNinja reserves the right to replace the unit with one of equal or greater value.

What is not covered by this warranty?

1. Normal wear and tear of wearable parts (such as foam filters, filters, batteries, brushrolls, etc.), which require regular maintenance and/or replacement to ensure the proper functioning of your unit, are not covered by this warranty. Replacement parts are available for purchase at **sharkaccessories.com**.
2. Any unit that has been tampered with or used for commercial purposes.
3. Damage caused by misuse (e.g., vacuuming up water or other liquids), abuse, negligent handling, failure to perform required maintenance (e.g., not cleaning the filters), or damage due to mishandling in transit.
4. Consequential and incidental damages.
5. Defects caused by repair persons not authorized by SharkNinja. These defects include damages caused in the process of shipping, altering, or repairing the SharkNinja product (or any of its parts) when the repair is performed by a repair person not authorized by SharkNinja.
6. Products purchased, used, or operated outside North America.

How to get service

If your appliance fails to operate properly while in use under normal household conditions within the warranty period, visit **sharkclean.com/support** for product care and maintenance self-help. Our Customer Service Specialists are also available at **1-855-460-5423** to assist with product support and warranty service options, including the possibility of upgrading to our VIP warranty service options for select product categories. Please register your product and have it with you when contacting Customer Service.

SharkNinja will cover the cost for the customer to send in the unit to us for repair or replacement. A fee of \$24.95 (subject to change) will be charged when SharkNinja ships the repaired or replacement unit.


How to initiate a warranty claim

You must call **1-855-460-5423** to initiate a warranty claim. You will need the receipt as proof of purchase. A Customer Service Specialist will provide you with return and packing instruction information.

How state law applies

This warranty gives you specific legal rights, and you also may have other rights that vary from state to state. Some states do not permit the exclusion or limitation of incidental or consequential damages, so the above may not apply to you.

REGISTER YOUR PURCHASE

 registeryourshark.com



RECORD THIS INFORMATION

Model Number: _____

Date Code: _____

Date of Purchase: _____
(Keep receipt)

Store of Purchase: _____

TIP: You can find the model and serial numbers on the QR code label on the bottom of the robot.

EXPECTED PERFORMANCE

Expected runtime: 60 minutes

Expected charging time: 6 hours



BATTERY REMOVAL AND DISPOSAL

This product uses a battery. When the battery no longer holds a charge, it should be removed from the vacuum and recycled. **DO NOT** incinerate or compost the battery.

When your lithium-ion battery needs to be replaced, dispose of it or recycle it in accordance with local ordinances or regulations. In some areas, it is illegal to place spent lithium-ion batteries in the trash or in a municipal solid waste stream. Return spent battery to an authorized recycling center or to retailer for recycling. Contact your local recycling center for information on where to drop off the spent battery.

For more information on battery removal for disposal, please visit sharkclean.com/batterysupport.

The RBRC™ (Rechargeable Battery Recycling Corporation) seal on the lithium-ion battery indicates that the costs to recycle the battery at the end of its useful life have already been paid by SharkNinja. In some areas, it is illegal to place spent lithium-ion batteries in the trash or municipal solid waste stream and the RBRC program provides an environmentally conscious alternative.

RBRC, in cooperation with SharkNinja and other battery users, has established programs in the United States and Canada to facilitate the collection of spent lithium-ion batteries. Help protect our environment and conserve natural resources by returning the spent lithium-ion battery to an authorized SharkNinja service center or to your local retailer for recycling. You may also contact your local recycling center for information on where to drop off the spent battery, or call 1-800-798-7398.

IMPORTANTES CONSIGNES DE SÉCURITÉ

VEUILLEZ LES LIRE ATTENTIVEMENT AVANT D'UTILISER L'APPAREIL • POUR UN USAGE DOMESTIQUE SEULEMENT

Si le cordon d'alimentation du chargeur ne s'insère pas à fond dans la prise de courant, inversez alors le sens de la fiche. Si elle ne s'insère toujours pas, communiquez avec un électricien qualifié. **NE FORCEZ PAS** pour insérer la fiche dans la prise et ne tentez pas de la modifier.

⚠ AVERTISSEMENT :

Afin de réduire les risques d'incendie, de décharges électriques, de blessure ou de dommage matériel :

AVERTISSEMENTS GÉNÉRAUX

Lors de l'utilisation d'un appareil électrique, des précautions de base doivent toujours être suivies, y compris les suivantes :

1. L'aspirateur robot se compose d'un aspirateur robot et d'une station de recharge avec un bloc d'alimentation. Ces composants comportent des raccordements électriques, du filage électrique et des pièces amovibles pouvant exposer l'utilisateur à certains risques.
2. Avant chaque utilisation, inspectez soigneusement toutes les pièces afin de déceler tout dommage. Si une pièce est endommagée, cessez l'utilisation.
3. Utilisez uniquement des pièces de rechange identiques.
4. Cet aspirateur robot ne renferme aucune pièce qui peut être réparée.
5. Utilisez cet appareil uniquement aux fins décrites dans ce manuel. **N'UTILISEZ PAS** l'aspirateur robot pour un usage autre que ceux décrits dans le présent manuel.
6. À l'exception des filtres, **N'EXPOSEZ** aucune des pièces de l'aspirateur robot à l'eau ou à d'autres liquides.

AVERTISSEMENTS CONCERNANT L'UTILISATION

7. Cet appareil peut être utilisé par les personnes dont les capacités physiques, sensorielles ou mentales sont réduites ou qui manquent d'expérience et de connaissances seulement s'ils ont été supervisés ou instruits par rapport à l'utilisation sécuritaire de l'appareil et comprend les dangers possibles.
 - a) Les enfants ne doivent pas jouer avec l'appareil
 - b) Les enfants ne peuvent pas nettoyer ni entretenir l'appareil sans supervision
8. Éteignez toujours l'aspirateur robot avant d'insérer ou de retirer le filtre ou le récipient à poussière.

9. **NE MANIPULEZ PAS** la prise, la station de recharge, le cordon d'alimentation ou l'aspirateur robot avec les mains mouillées. Les enfants ne peuvent pas nettoyer ni entretenir l'appareil sans supervision.
10. **N'UTILISEZ PAS** l'appareil sans que le récipient à poussière du robot et tous les filtres soient bien en place.
11. **N'ENDOMMAGEZ PAS** le cordon de recharge :
 - a) **N'UTILISEZ PAS** le cordon comme poignée pour porter ou pour tirer la station de recharge
 - b) **NE DÉBRANCHEZ PAS** l'appareil en tirant sur le cordon d'alimentation. Agrippez la fiche et non le cordon
 - c) **NE FERMEZ PAS** une porte sur le cordon, ne tirez pas le cordon sur des coins pointus et ne laissez pas le cordon près de surfaces chaudes
12. **ÉVITEZ** d'insérer des objets dans les ouvertures de la buse ou de tout autre accessoire. **N'UTILISEZ PAS** l'appareil si une ouverture est obstruée. Veillez à ce que les ouvertures ne soient pas bloquées par de la poussière, de la peluche, des cheveux, ou tout autre élément qui pourrait gêner la circulation de l'air.
13. **N'UTILISEZ PAS** l'aspirateur robot si le débit d'air de l'aspirateur est obstrué. Si les conduits d'air se bloquent, éteignez l'aspirateur et retirez toutes les obstructions avant d'allumer l'appareil de nouveau.
14. Tenez la buse et tous les orifices de l'aspirateur éloignés des cheveux, du visage, des doigts, des pieds déchaussés ou des vêtements amples.
15. **N'UTILISEZ PAS** l'aspirateur robot s'il ne fonctionne pas comme prévu, ou s'il a été échappé sur le sol, endommagé, laissé à l'extérieur ou immergé.
16. **NE PLACEZ PAS** l'aspirateur sur des surfaces instables.
17. **N'UTILISEZ PAS** l'appareil pour aspirer :
 - a) Des liquides
 - b) Des objets de grande taille

- c) Des objets durs ou tranchants (verre, clous, vis ou pièces de monnaie)
- d) De grandes quantités de poussière (poussière de cloison sèche, cendres ou braises de foyer). **N'UTILISEZ PAS** l'aspirateur comme accessoire pour un outil électrique pour l'aspiration de la poussière
- e) Des objets fumants ou brûlants (charbons ardents, mégots de cigarettes ou allumettes)
- f) Des matériaux inflammables ou combustibles (essence à briquet, essence ou kérosène)
- g) Des matières toxiques (eau de Javel, ammoniac ou produit débouchant)

18. **N'UTILISEZ PAS** l'appareil dans les endroits suivants :
 - a) Surfaces humides ou mouillées
 - b) À l'extérieur
 - c) Dans des endroits fermés pouvant contenir des émanations ou des vapeurs toxiques ou explosives (essence à briquet, essence, kérosène, peinture, diluants à peinture, produits de traitement antimite ou poussières inflammables)
 - d) Près de foyers dont la porte n'est pas obstruée
 - e) Une zone avec chauffage d'appoint
19. Éteignez l'aspirateur robot avant de procéder à tout ajustement, nettoyage, entretien ou dépannage.
20. Laissez tous les filtres sécher complètement avant de les remettre dans l'aspirateur robot pour éviter que du liquide ne soit aspiré dans les composants électriques.
21. **NE MODIFIEZ PAS NI NE TENDEZ** de réparer l'aspirateur robot ou la batterie vous-même, à moins d'indication contraire dans ce manuel. **N'UTILISEZ PAS** l'aspirateur s'il a été modifié ou endommagé.
22. Afin de réduire le risque de décharges électriques, cet appareil est muni d'une fiche d'alimentation polarisée (une broche étant plus large que l'autre). Une telle fiche peut seulement être insérée dans une prise polarisée d'une seule manière. Si la fiche ne s'insère pas entièrement dans la prise, inversez alors le sens de la fiche. Si elle n'entre toujours pas, communiquez avec un électricien qualifié pour installer une prise appropriée. Ne modifiez pas la fiche de quelque manière que ce soit.

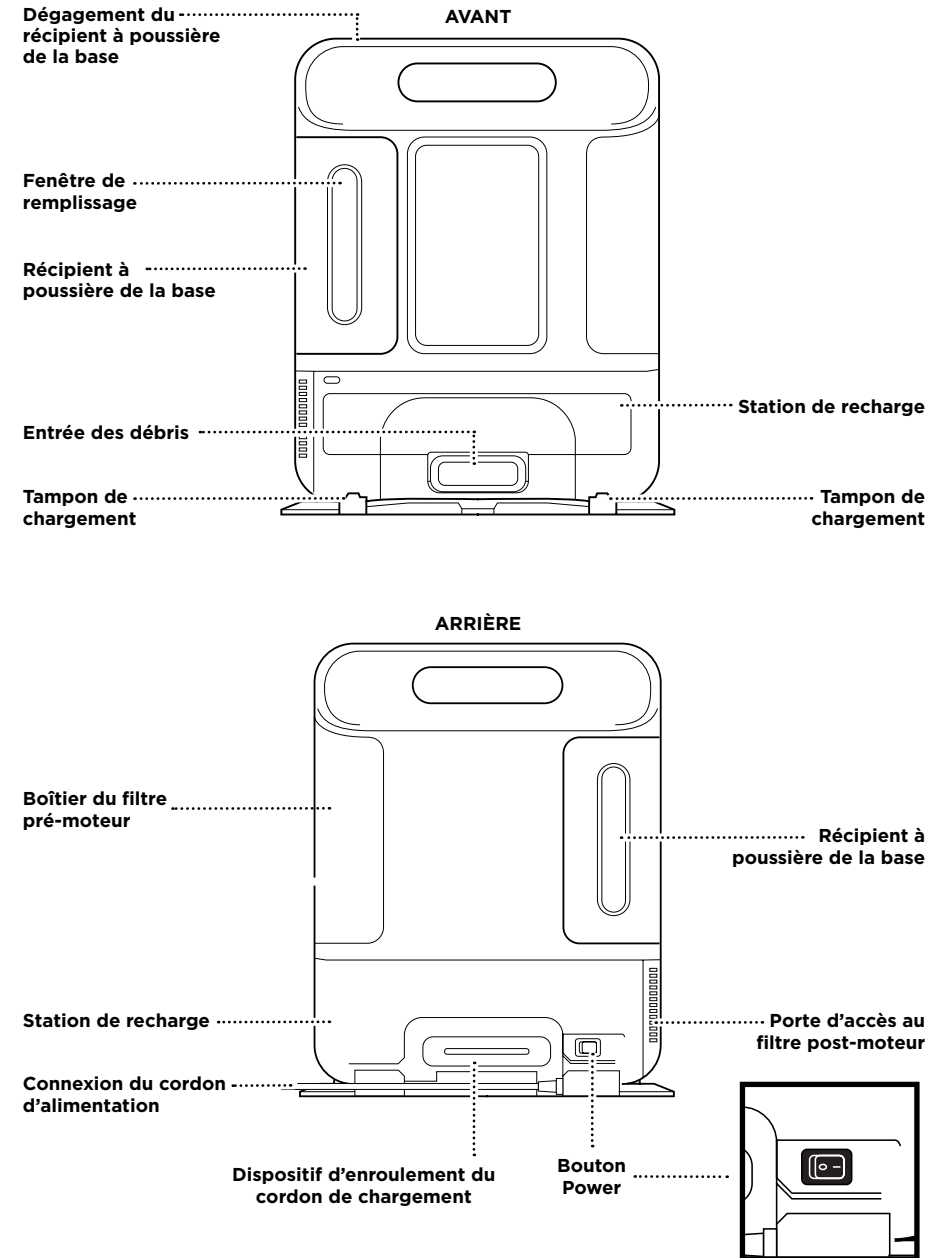
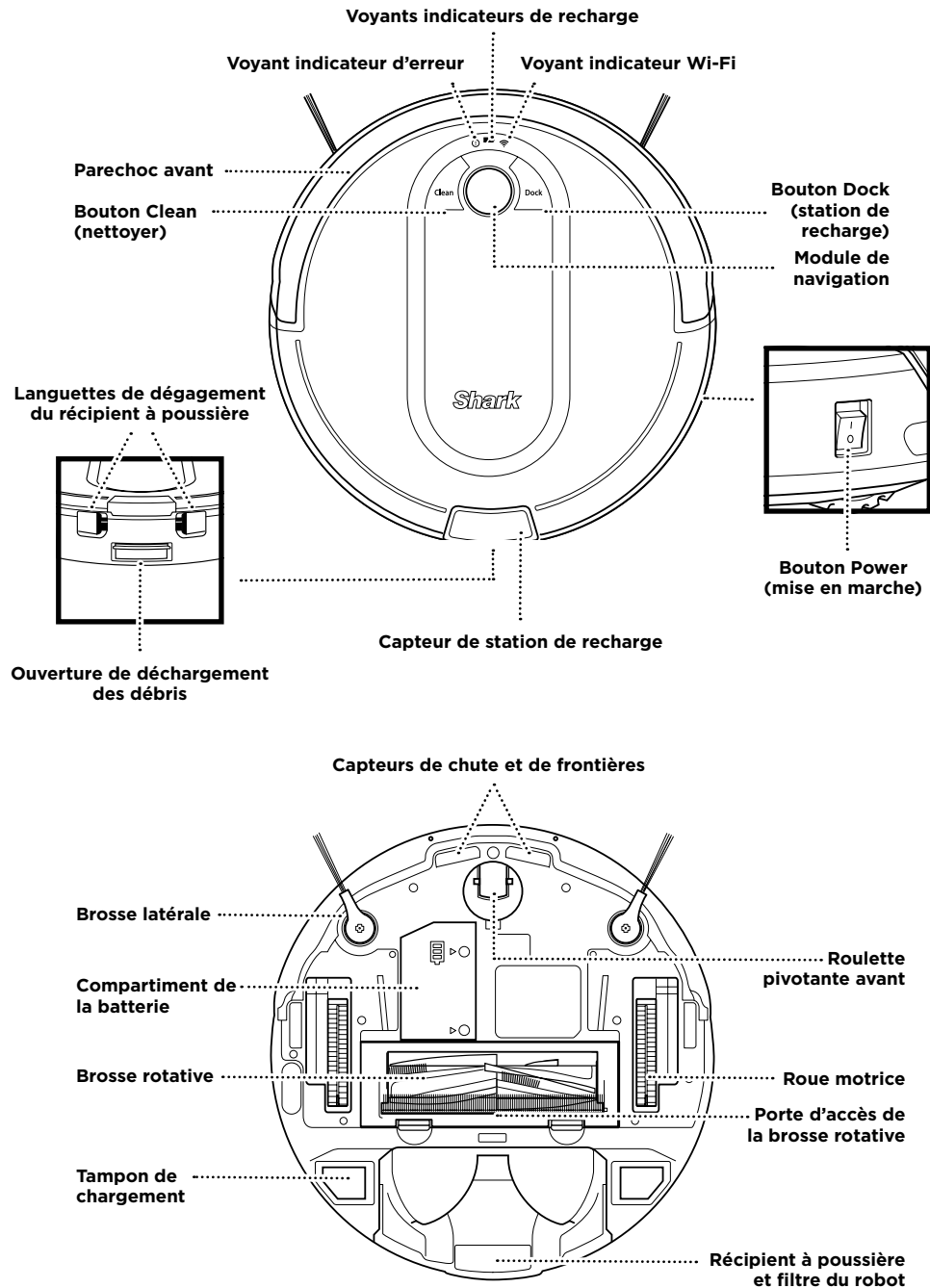
23. Si la protection thermique de la base à vidange automatique est activée, il faut complètement couper l'alimentation et la rétablir pour exécuter une réinitialisation.

UTILISATION DE LA BATTERIE

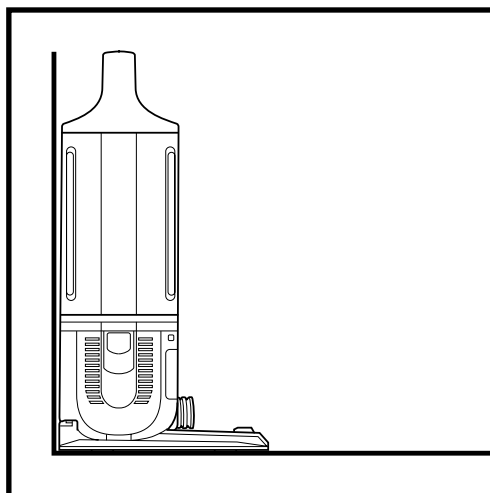
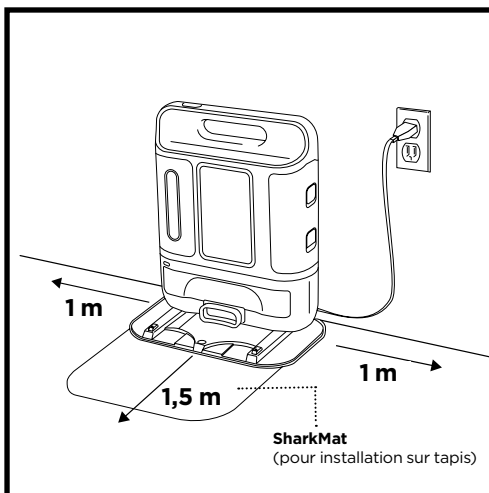
24. La batterie est la source d'alimentation de l'aspirateur. Lisez attentivement et respectez les instructions de chargement.
25. Afin d'éviter qu'il ne se mette en marche par erreur, assurez-vous que l'aspirateur est éteint avant de le soulever ou de le transporter. **NE TRANSPORTEZ PAS** l'appareil avec votre doigt sur l'interrupteur d'alimentation.
26. Utilisez **UNIQUEMENT** la base à vidange automatique Shark® XSKAEDOCK et la batterie RVBAT850. L'utilisation d'autres chargeurs ou d'autres batteries que celles-ci pourrait causer un risque d'incendie.
27. Gardez la batterie à l'écart des objets métalliques comme des trombones, de la monnaie, des clés, des clous ou des vis. Court-circuiter les bornes de la batterie augmente le risque d'incendie ou de brûlures.
28. Si la batterie est utilisée de façon inappropriée, il se peut que du liquide s'en échappe. Évitez le contact avec ce liquide, car il pourrait causer des irritations ou des brûlures. En cas de contact, rincez à l'eau. Si le liquide entre en contact avec les yeux, obtenez de l'aide médicale.
29. L'aspirateur robot ne doit pas être entreposé, chargé ou utilisé à des températures inférieures à 10 °C (50 °F) ou supérieures à 40 °C (104 °F). Assurez-vous que la batterie et l'aspirateur sont à température pièce avant de les recharger ou de les utiliser. L'exposition du robot ou de la batterie à des températures hors de la plage indiquée peut endommager l'appareil et augmenter le risque d'incendie.
30. **N'EXPOSEZ PAS** l'aspirateur robot ou la batterie au feu ou à une température supérieure à 130 °C (265 °F), car cela peut provoquer une explosion.
31. Les batteries non rechargeables ne peuvent pas être rechargées.

CONSERVEZ CES INSTRUCTIONS

Pour les mises en garde et les avertissements les plus récents, allez à sharkclean.com/robothelp



INSTALLATION DE LA BASE



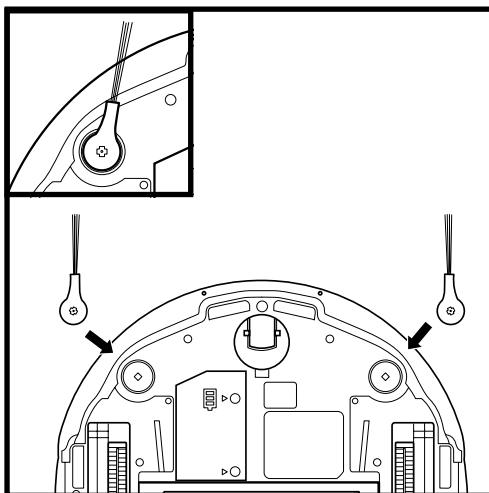
La **base à vidange automatique** charge votre robot, et contient la poussière et les débris provenant d'un maximum de 30 jours de nettoyage. Choisissez un emplacement permanent pour la base, car toutes les fois que vous la déplacez, votre robot devra créer une nouvelle carte de votre maison.

Choisissez une surface plane dans une aire centrale. Déplacez tous les objets situés à moins de 1 mètre (3 pieds) de chaque côté de la base, ou à moins de 1,5 mètre (5 pieds) à partir de l'avant. Placez la base dos contre le mur, dans un endroit où le signal du réseau Wi-Fi est fort. Configurez la base sur le **plancher à surface dure**, ou sur le **SharkMat**. Branchez le cordon de chargement et allumez l'interrupteur d'alimentation à l'arrière de la base. La base doit demeurer branchée pour que le robot puisse la trouver. Le **voyant indicateur** est vert lorsque la base est branchée.

REMARQUE : Pour des résultats optimaux, installez l'appareil sur un plancher dur ou un tapis mince avec le SharkMat.

REMARQUE : Ne pas placer la base contre des éléments chauffants, ou des plinthes, ou encore en plein soleil.

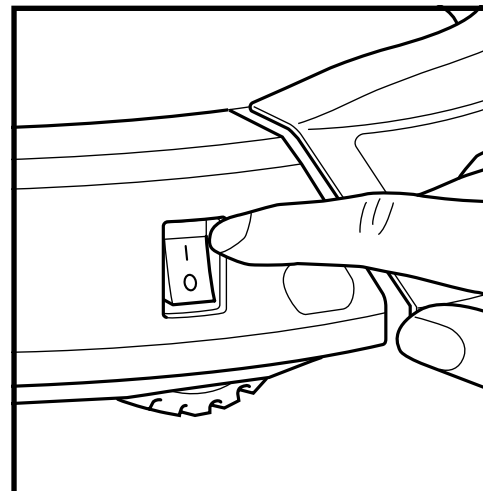
INSTALLATION DES BROSSES LATÉRALES



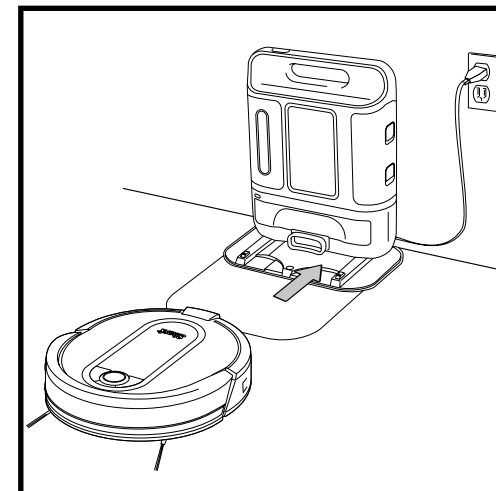
Enclenchez les 2 **brosses latérales** incluses sur les chevilles carrées situées sur le dessous du robot.

EN CHARGE

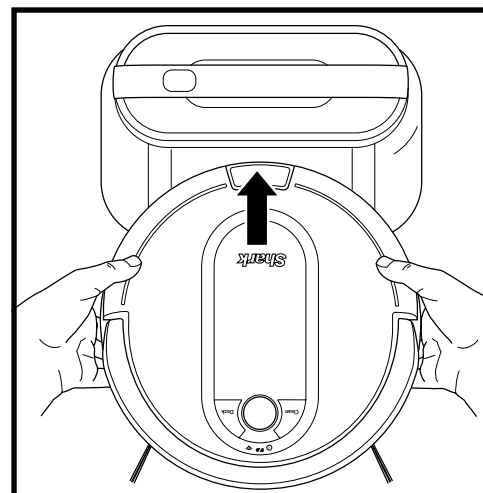
IMPORTANT : Le Shark iQ Robot™ est doté d'une batterie rechargeable préinstallée. La batterie doit être complètement chargée avant l'utilisation. Il pourrait falloir jusqu'à 6 heures pour une charge complète.



Pour charger, mettez le bouton **Power** (mise en marche) situé sur le côté du robot à la position ON (marche) (I). Le robot émettra un bip lorsque la charge commence.



Lorsque le cycle de nettoyage se termine, ou si la batterie est faible, le robot recherchera la base. Si votre robot ne retourne pas à la base, la charge de la batterie est peut-être épuisée.

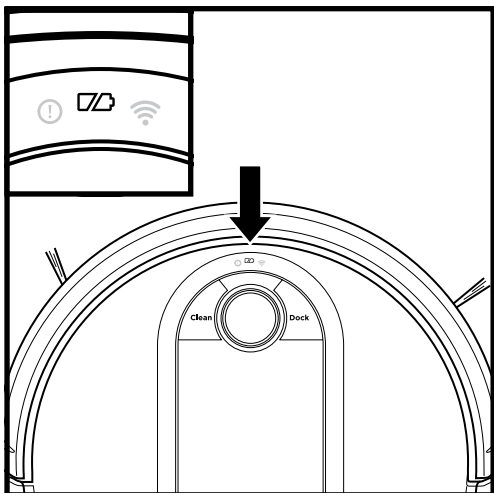


Si le robot n'a plus de charge et que le robot ne peut pas retourner à la base, placez-le vous-même sur la base. Le voyant indicateur clignote bleu et le robot émet un signal sonore lorsqu'il commence à charger.

REMARQUE : lors du placement manuel du robot sur la base, assurez-vous que les **tampons de chargement** de la partie inférieure du robot sont alignés sur ceux de la base et que le récipient à poussière du robot est en contact avec l'absorbeur de débris sur la base. Pendant que l'appareil se recharge, les deux voyants DEL bleus s'allumeront en alternance. Une fois l'appareil complètement chargé, les deux voyants bleus s'allumeront en continu.

REMARQUE : pendant que le robot charge, les deux voyants DEL bleus s'allument en alternance.

VOYANTS INDICATEURS DE RECHARGE



En cours d'utilisation



Complètement chargé (bleu)



Partiellement chargé (bleu)



Charge faible (rouge)

Pendant la charge (bleu)



Charge nulle ou éteint

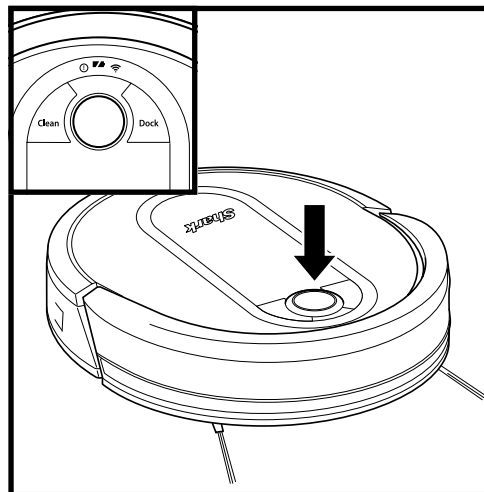


Les voyants indicateurs bleus indiquent la charge restante.

Pendant que le robot charge, les deux voyants DEL bleus s'allument en alternance. Une fois l'appareil complètement chargé, les deux voyants bleus s'allumeront en continu. Il pourrait falloir jusqu'à six heures pour charger entièrement votre robot.

REMARQUE : si le voyant de charge faible clignote en rouge, le robot n'a pas assez de charge pour qu'il puisse revenir à la station. Placez manuellement le robot sur la base.

BOUTONS ET VOYANTS INDICATEURS



VOYANTS INDICATEURS DE RECHARGE

Ces voyants indiquent la quantité de charge restante dans la batterie.



VOYANT INDICATEUR D'ERREUR « ! »

Consultez la section Dépannage pour voir la liste complète des codes d'erreurs.



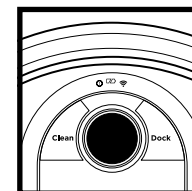
VOYANT INDICATEUR WI-FI

Voyant bleu : connecté au Wi-Fi.

Voyant rouge : non connecté.

Voyant bleu clignotant : mode de configuration.

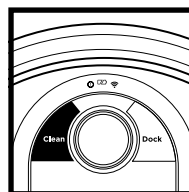
Aucun voyant : pas encore configuré.



MODULE DE NAVIGATION

Veillez le garder dégagé et ne pas le couvrir.

Capteur tourné vers le haut qui détecte des points de référence uniques pour permettre une navigation avancée.



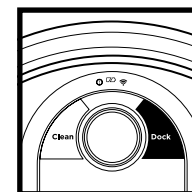
BOUTON CLEAN (nettoyer)

Appuyez pour commencer un cycle de nettoyage. Appuyez à nouveau sur le bouton pour l'arrêter.

RECHARGE & RESUME (RECHARGER ET CONTINUER)

Appuyez sur le bouton CLEAN (nettoyer) et maintenez-le enfoncé pendant 15 secondes pour activer ou désactiver la fonction Recharge & Resume (recharger et continuer).

Activez la fonction Recharge & Resume pour assurer une couverture complète des grandes maisons. Votre robot peut retourner à la base station de charge, puis reprendre le nettoyage là où il s'était arrêté.



BOUTON DOCK (station de recharge)

Appuyez pour arrêter le nettoyage et renvoyer le robot à la station de recharge.

EVACUE & RESUME (ÉVACUER ET CONTINUER)

Appuyez sur le bouton DOCK (station de recharge) et maintenez-le enfoncé pendant 15 secondes pour activer ou désactiver la fonction Evacuate & Resume (évacuer et continuer).

Activez l'option Evacuate & Resume (évacuer et continuer) en présence d'animaux dans la maison. Votre robot retournera plus souvent à la base station de recharge pour vider le récipient à poussière, puis il reprendra le nettoyage là où il s'était arrêté.

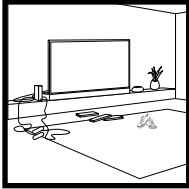
PRÉPAREZ VOTRE MAISON

Votre robot utilise une gamme de capteurs pour naviguer autour des murs, des pieds de meuble et d'autres obstacles au fur et à mesure qu'il nettoie. Utilisez les lanières BotBoundary™ comprises pour empêcher le robot de heurter certains objets ou créer des zones interdites. Pour de meilleurs résultats, préparez votre maison comme indiqué ci-dessous, et planifiez un nettoyage quotidien afin de vous assurer que toutes les zones du sol sont entretenues de façon régulière.

REMARQUE : On peut seulement effectuer la planification dans l'appli.

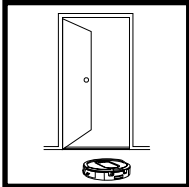
OBSTACLES

Déplacez les cordons, retirez les petits objets et ouvrez les portes pour une cartographie complète de votre maison.



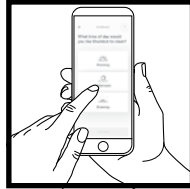
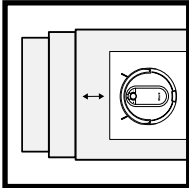
SEUILS

Votre robot pourrait éprouver de la difficulté avec certains seuils élevés. Bloquez l'accès aux seuils élevés en utilisant les lanières BotBoundary incluses.



ESCALIERS

Votre robot est équipé de capteurs de chute pour prévenir les chutes en bas des corniches. Pour que les capteurs de chute de votre robot fonctionnent adéquatement, tous les tapis ou les carpettes doivent être placés à un minimum de 20 cm (8 po) des escaliers (ou se prolonger par-dessus la limite des marches).



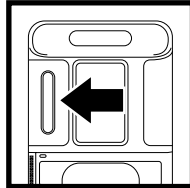
PROGRAMMATION

Pour maintenir une propreté constante, réglez un horaire de nettoyage dans l'application.



ÉVITEZ DE DÉPLACER LE ROBOT OU LA BASE

Évitez de soulever et de déplacer le robot lorsqu'il nettoie, ou de déplacer la base, car cela pourrait empêcher de cartographier correctement votre maison.



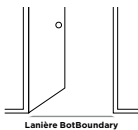
VÉRIFIEZ LE NIVEAU DU RÉSERVOIR DE LA BASE

Durant les premières semaines d'utilisation, votre robot fera une vidange plus souvent qu'à l'habitude. Vérifiez régulièrement le niveau du réservoir. Le récipient à poussière est conçu pour contenir jusqu'à 30 jours de débris, mais chaque maison est différente et le récipient pourrait se remplir plus rapidement chez certains.

LANIÈRES BOTBOUNDARY

CONSIGNES D'UTILISATION

- Vous pouvez couper les lanières BotBoundary pour les raccourcir au besoin (**au moins 45 cm ou 18 po**).
- Assurez-vous que chaque lanière BotBoundary se trouve complètement à plat contre le plancher.
- Pour obtenir de meilleurs résultats, placez les lanières entre des objets fixes, comme les cadres de porte ou les pattes de meuble.



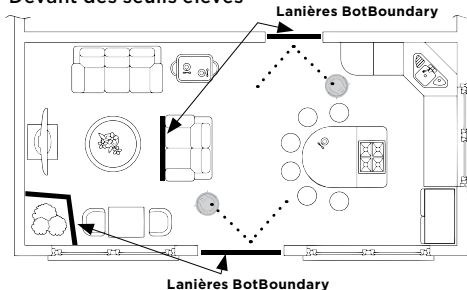
AVERTISSEMENT : Ne mettez pas de lanières BotBoundary près d'escaliers ou de corniches.

AVERTISSEMENT : Évitez de placer les lanières BotBoundary l'une sur l'autre.

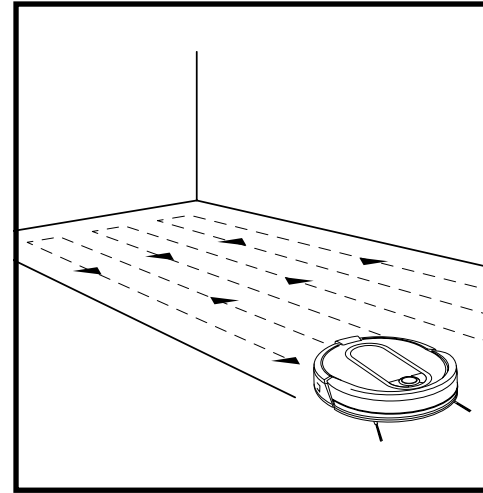
PRÉPARATION DE VOTRE MAISON À L'AIDE DES LANIÈRES BOTBOUNDARY

Utilisez les lanières BotBoundary pour créer rapidement et facilement des « no-go zones (zones interdites) » afin de tenir votre robot à l'écart des zones que vous souhaitez qu'il évite. Ces zones pourraient être, entre autres :

- Près des cordons d'alimentation
- Devant des seuils élevés



CARTOGRAPHIE ET NAVIGATION



Tandis qu'il nettoie, votre robot créera une carte de votre maison. Il pourrait falloir plusieurs nettoyages avant que le robot ne termine la création de la carte. Une fois la création de la carte terminée, une **carte interactive** de votre domicile sera disponible dans l'appli.

Carte interactive

La carte interactive dans l'appli vous permet de nommer des pièces, puis de sélectionner celles qu'il faut nettoyer et d'envoyer le robot immédiatement pour nettoyer un emplacement spécifique.

Avec davantage de nettoyages, le robot mettra à jour et améliorera son chemin afin de fournir une couverture de nettoyage optimisée. Après chaque nettoyage, un rapport de nettoyage sera disponible dans l'application.

MODE DE NETTOYAGE MANUEL

Pour démarrer un cycle de nettoyage manuellement, appuyez sur le bouton **Clean** (nettoyer), sur le robot ou dans l'application mobile. Pour arrêter le robot avant qu'il ne termine le nettoyage et retourne automatiquement à la base, appuyez sur le bouton Dock (station de recharge).

REMARQUE : assurez-vous de charger entièrement le robot avant son premier nettoyage, afin qu'il puisse explorer, créer une carte et nettoyer autant de votre domicile que possible. Il pourrait falloir jusqu'à six heures pour charger entièrement votre robot.

REMARQUE : évitez de soulever ou de déplacer le robot ou la base. Si on déplace l'un ou l'autre, le robot pourrait ne pas pouvoir suivre son chemin de nettoyage intelligent ou retourner à la base. Si on ramasse ou on déplace le robot pour quelque raison que ce soit, on devrait le replacer à une distance de moins de 15 cm (6 po) de son dernier remplacement.

UTILISATION DU SHARK IQ ROBOT™

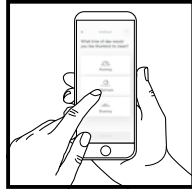
Veillez visiter sharkclean.com/app ou composer le 1 855 460-5423 pour toutes vos questions liées à l'appli.

UTILISATION DE L'APPLICATION SHARKCLEAN™ ET DES COMMANDES VOCALES

Profitez pleinement des fonctionnalités de votre Shark IQ Robot :



- **Room Select (sélection d'une pièce)**
Envoyez immédiatement votre robot à une pièce précise de cet étage.
- **Recharge and Resume (recharger et continuer)**
Utilisez cette fonction pour assurer une cou-verture complète et multi pièce dans votre maison.



- **Scheduling (programmation)**
Prévoyez le nettoyage de toute la maison pour une heure précise, une journée donnée.
- **Cleaning Reports (rapports de net-toyage)**
Pour chaque nettoyage de votre ro-bot, votre application produira un rapport de nettoyage.

Recherchez **Shark Clean** dans l'App Store et téléchargez l'application sur votre iPhone™ ou Android™.



RÉGLAGE DE LA COMMANDE VOCALE AVEC L'ASSISTANT GOOGLE OU ALEXA D'AMAZON

Visitez sharkclean.com/app pour obtenir des informations de configuration, qui comprennent la manière d'activer la compétence Shark pour Alexa d'Amazon et l'utilisation avec l'Assistant Google.

Assistant Google :

- « OK Google, dis à Shark de commencer le nettoyage. »
- « OK Google, dis à Shark d'arrêter mon robot. »
- « OK Google, dis à Shark d'envoyer mon robot à la station de recharge. »

Alexa d'Amazon :

- « Alexa, dis à Shark de commencer le nettoyage. »
- « Alexa, dis à Shark d'arrêter mon robot. »
- « Alexa, dis à Shark d'envoyer mon robot à la station. »

DÉPANNAGE POUR WI-FI

- Pour utiliser l'application, votre téléphone doit être connecté à un réseau **2,4 GHz**. L'application fonctionnera seulement sur un réseau 2,4 GHz.
- Les réseaux Wi-Fi domestiques typiques prennent en charge 2,4 GHz ainsi que 5 GHz.
- N'utilisez pas de RPV ni de serveur proxy.
- Assurez-vous que l'isolation Wi-Fi est éteinte sur le routeur.
- Si vous n'arrivez pas à vous connecter, composez le 1 855 460-5423.

PROBLÈMES DE DÉPANNAGE DU RÉSEAU WI-FI?

Redémarrez votre téléphone

Redémarrez votre robot

- Assurez-vous que l'interrupteur d'alimentation à l'arrière de la BASE est en position ON (marche).
- Appuyer sur le bouton d'alimentation du côté du ROBOT à la position OFF (arrêt) pendant 10 secondes, puis appuyer de nouveau pour remettre l'appareil sous tension.

Redémarrez votre routeur.

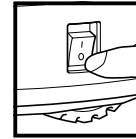
- Débranchez le câble d'alimentation du routeur pendant 30 secondes, puis rebranchez-le. Patientez quelques minutes, le temps que votre routeur se réinitialise complètement.

CODE D'ERREUR

PROBLÈME

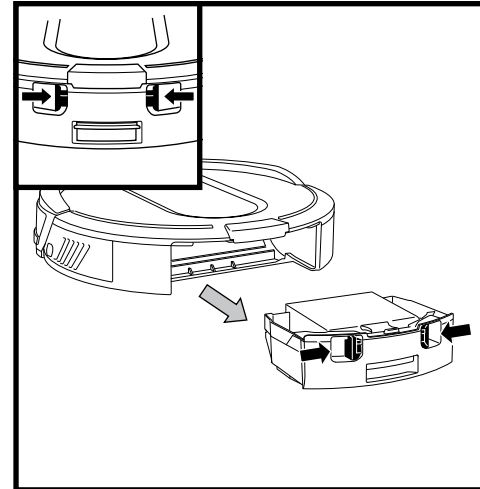
! (ROUGE) et indicateur Wi-Fi (ROUGE clignotant)	Mauvais mot de passe pour le Wi-Fi
! (Clignote en rouge) et Wi-Fi (ROUGE)	Impossible de trouver le SSID, essayez de connecter à nouveau
! et Wi-Fi (clignotent en rouge en alternance)	Mauvais nom d'utilisateur ou mot de passe pour votre compte Shark
! et Wi-Fi (clignote en rouge en même temps)	Impossible de se connecter au Wi-Fi

ENTRETIEN

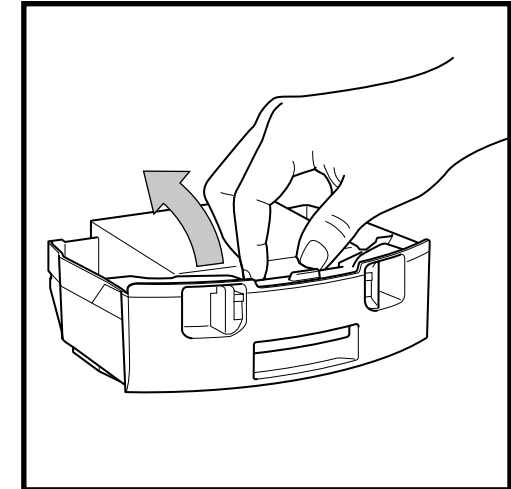


ATTENTION : Mettez l'appareil hors tension avant d'effectuer tout entretien.

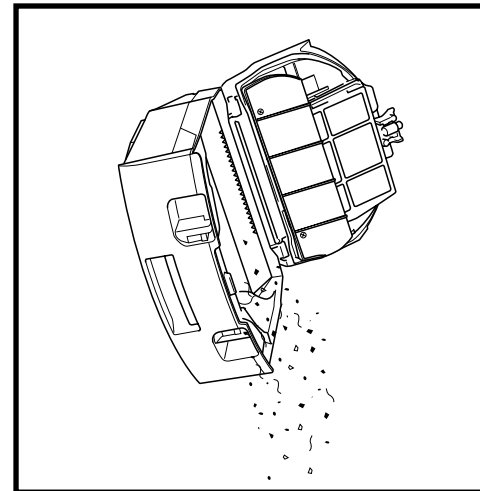
VIDANGE DU RÉCIPENT À POUSSIÈRE DU ROBOT



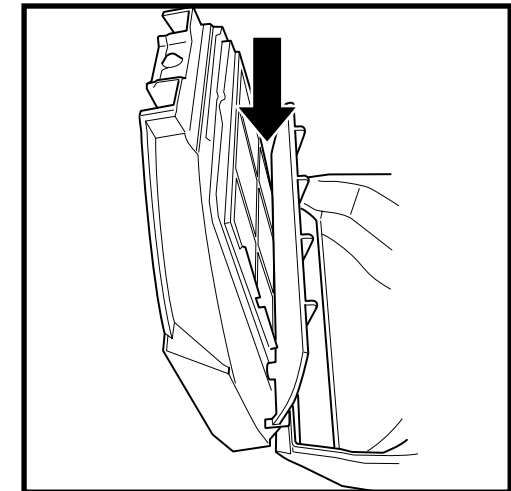
Appuyez sur les **languettes de dégagement du récipient à poussière** et faites glisser pour le retirer.



Pour éviter de renverser de la poussière, assurez-vous de tenir le réceptacle à poussière en position droite. Pincez et soulevez le couvercle.



Jetez les débris et la poussière aux ordures.

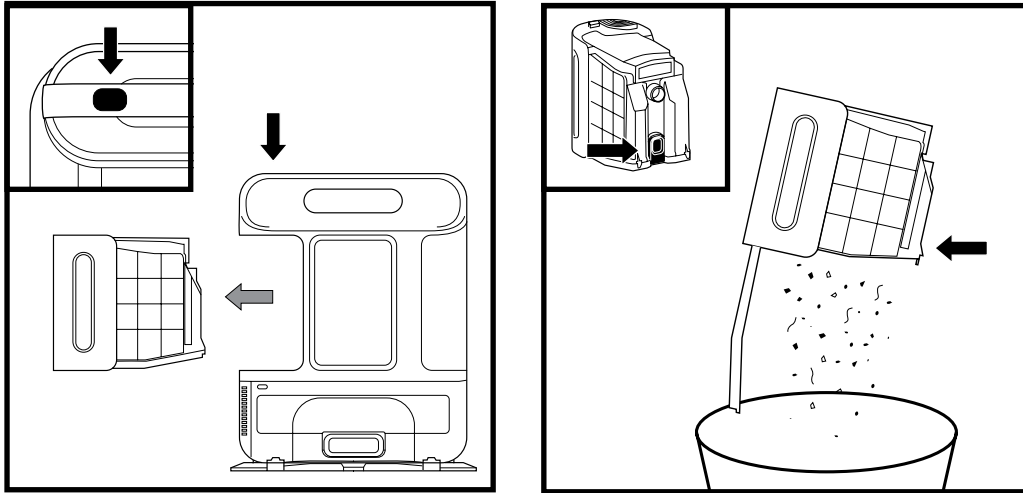


Vérifiez qu'aucun débris ne s'est accumulé entre le filtre et l'écran en plastique.

Au besoin, retirez les débris et nettoyez la zone avec un linge sec ou une brosse douce.

ENTRETIEN

VIDANGE DU RÉCIPIENT À POUSSIÈRE DE LA BASE



Le **réceptacle à poussière de la base** contient jusqu'à 30 jours de poussière et de débris. Videz le réceptacle lorsque le niveau de débris approche la ligne max fill (remplissage maximal).

Pour détacher le bac, appuyez sur la touche **Release (dégager)** sur le dessus et maintenez-la enfoncée, puis faites glisser le bac.

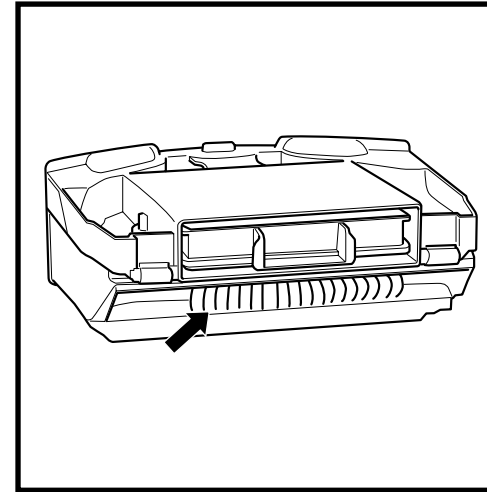
Pour vider le bac, tenez-le au-dessus d'une poubelle et appuyez sur le bouton **Empty (vidange)**.

ENTRETIEN

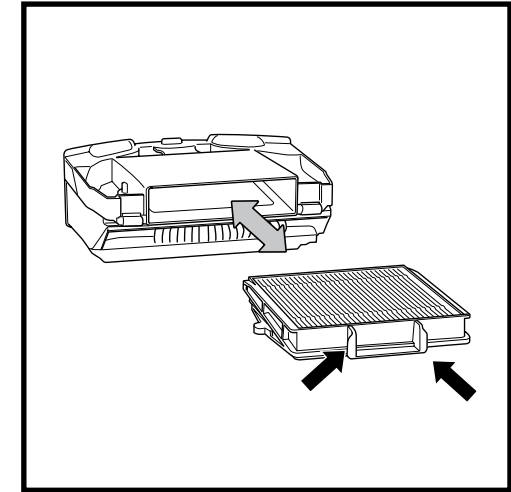
NETTOYAGE ET REMPLACEMENT DU FILTRE DU ROBOT

Pour une puissance d'aspiration maximale, nettoyez et remplacez régulièrement le filtre à l'intérieur du réceptacle à poussière du robot.
Pour les filtres de remplacement, consultez le site sharkaccessories.com.

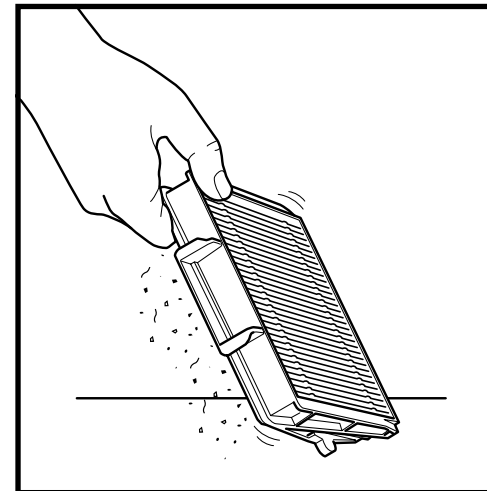
IMPORTANT : N'UTILISEZ PAS d'eau pour nettoyer les filtres du robot.



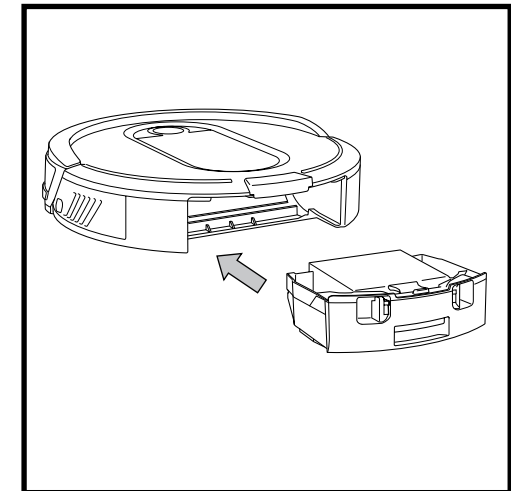
Retirez et videz le réceptacle à poussière du robot. Retirez tous les poils, cheveux et débris coincés dans le **peigne anti-enchevêtrement** situé à l'arrière du réceptacle à poussière.



Tirez sur la languette pour retirer le filtre du réceptacle à poussière.



Tapotez légèrement le filtre pour déloger la poussière et les débris.



Remettez le filtre dans le réceptacle à poussière du robot, puis remettez le réceptacle à poussière dans le robot en le faisant glisser.

REMARQUE : assurez-vous que le réceptacle à poussière s'encliquète en place, pour vous assurer qu'il est entièrement inséré.

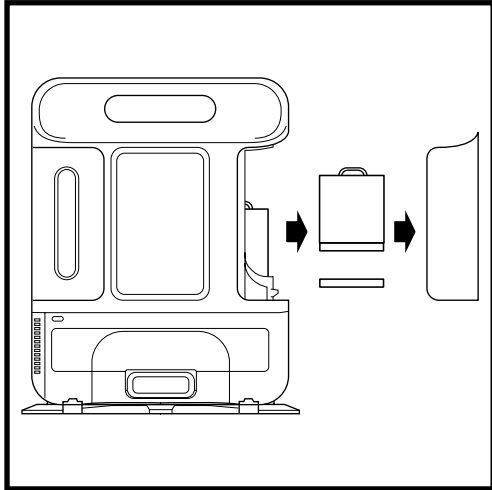
ENTRETIEN

NETTOYAGE ET REMPLACEMENT DES FILTRES DE LA BASE

Nettoyez régulièrement et remplacez vos filtres afin de conserver la puissance d'aspiration optimale de votre aspirateur.

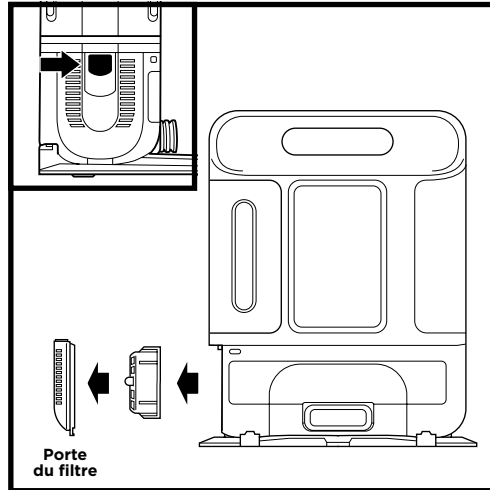
Afin de nettoyer les filtres, rincez-les avec de l'eau **SEULEMENT** afin d'éviter les dommages causés par les produits chimiques de nettoyage. Laissez tous les filtres sécher entièrement au moins 24 heures avant de les remettre dans l'aspirateur pour éviter que l'eau ne soit aspirée dans les composants électriques.

IMPORTANT : N'UTILISEZ PAS de savon pour nettoyer les filtres.



NETTOYEZ LES FILTRES PRÉ-MOTEURS UNE FOIS PAR MOIS

Retirez le **Boîtier du filtre pré-moteur** de la base, puis enlevez les deux **filtres pré-moteur**.



NETTOYEZ LE FILTRE POST-MOTEUR CHAQUE ANNÉE

Appuyez sur le bouton sur la partie supérieure de la **porte du filtre**, puis inclinez la porte et soulevez-la. Retirez le **filtre post-moteur** de la base. Pour réinstaller le filtre post-moteur, insérez-le dans la base et remplacez la porte du filtre.

REMARQUE : les filtres de mousse et de feutre pré-moteur devraient être remplacés tous les 2 ans et demi. Le filtre post-moteur devrait être remplacé tous les 3 ans.

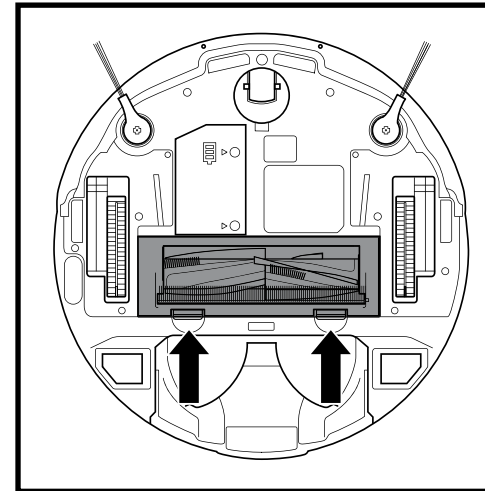
REMARQUE : nettoyez le filtre d'écran du récipient à poussière à l'aide d'une brosse de nettoyage chaque mois.

ENTRETIEN

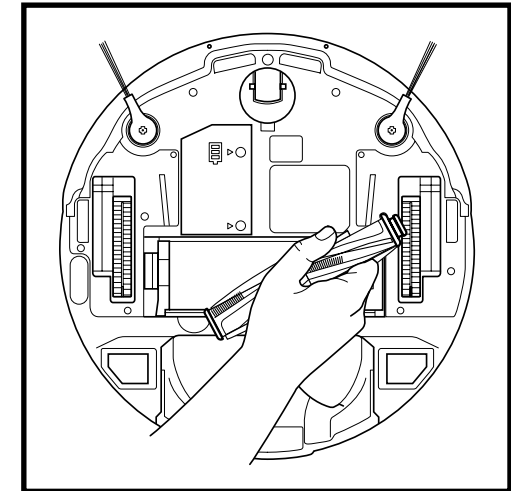
BROSSE ROTATIVE

La **brosse rotative** élimine les débris au fil des nettoyages. S'il reste des cheveux enroulés autour de la brosse, continuez le nettoyage afin que la brosse se nettoie elle-même.

En cas de débris tenaces, suivez les étapes suivantes pour nettoyer la brosse rotative.



Pour accéder à la brosse rotative, poussez les languettes de la porte d'accès à la brosse rotative vers le haut, puis retirez la porte.



Nettoyez les poils et autres débris. Réinstallez la brosse rotative et insérez la partie plate en premier.

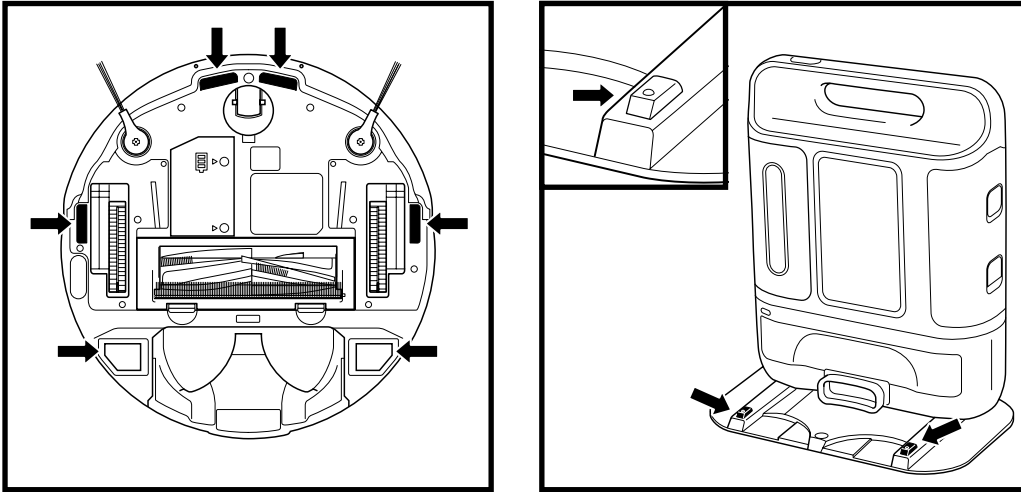
Fermez la porte d'accès à la brosse rotative et appuyez sur celle-ci jusqu'à ce que les deux côtés s'enclenchent.

REMARQUE : lors du découpage des débris, assurez-vous de ne pas couper la brosse rotative ou les autres parties du robot.

REMARQUE : remplacez la brosse rotative tous les 6 à 12 mois, ou lorsqu'elle est visiblement usée. Pour les pièces de rechange, consultez le site sharkaccessories.com. Pour les pièces de rechange, consultez le site sharkaccessories.com.

NETTOYAGE DES CAPTEURS ET DES TAMPONS DE CHARGEMENT

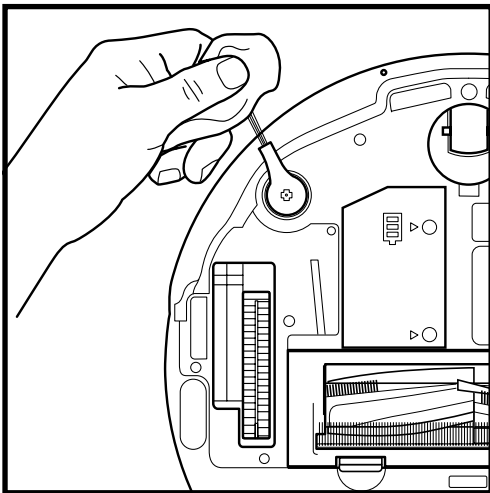
NETTOYEZ LES CAPTEURS ET LES TAMPONS DE CHARGEMENT AU BESOIN. Avec un chiffon sec ou une brosse de nettoyage, essuyez doucement les capteurs et les tampons situés sur le dessous du robot et sur la base.



IMPORTANT : le robot utilise des capteurs de chute pour éviter les escaliers et d'autres escarpements abrupts. Les capteurs fonctionnent moins efficacement lorsqu'ils sont sales. Pour de meilleurs résultats, nettoyez les capteurs régulièrement.

NETTOYAGE DES BROSSES LATÉRALES

NETTOYEZ LES BROSSES LATÉRALES AU BESOIN.



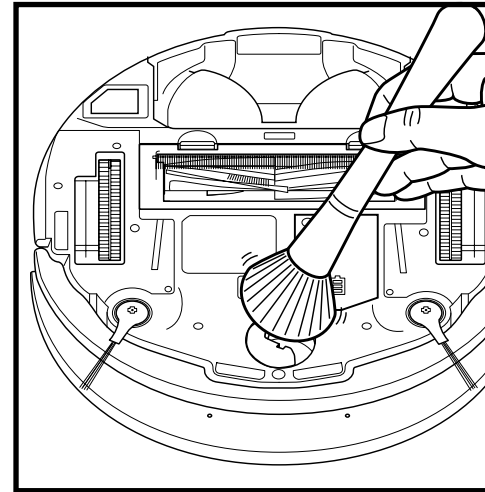
Dérivez soigneusement tout fil ou cheveu enroulé autour des brosses rotatives.

Essuyez délicatement les brosses avec un chiffon humide. Assurez-vous de laisser les filtres sécher complètement avant de les réinstaller.

REMARQUE : retirez les brosses latérales courbées ou endommagées. Pour retirer la brosse, soulevez-la de son ancrage.

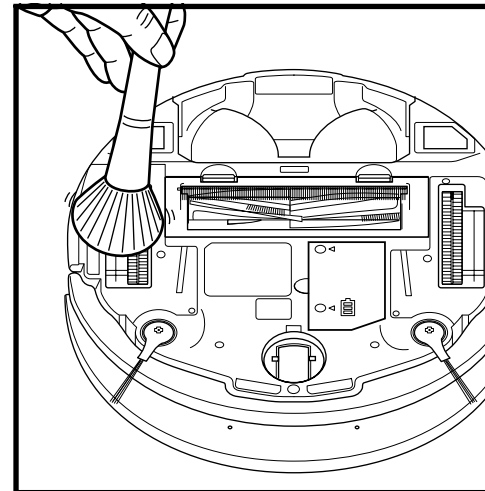
NETTOYAGE DES ROULETTES

NETTOYEZ LA ROULETTE PIVOTANTE AU BESOIN.
Pour les pièces de rechange, consultez le site sharkaccessories.com.



Nettoyez la cavité.

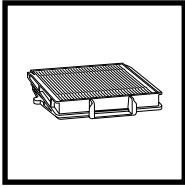
REMARQUE : des outils pourraient être nécessaires pour retirer la roulette.
REMARQUE : brosse non comprise.



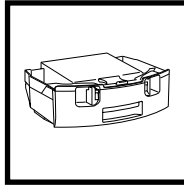
Nettoyez périodiquement les roues motrices et son boîtier. Pour nettoyer, tournez chaque roue motrice pendant l'époussetage.

ENTRETIEN

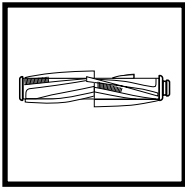
PIÈCES DE RECHANGE : ROBOT



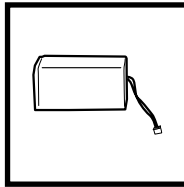
Filtre
RVFFK950



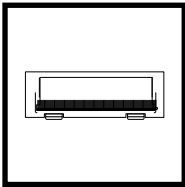
Réceptacle à poussière du robot
101KY1000AE



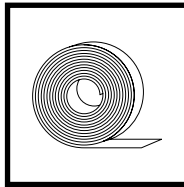
Self-Cleaning Brushroll
103KY1000



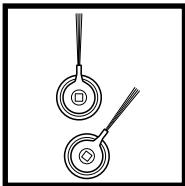
Batterie
RVBAT850



Porte de la brosse rotative
109KY1000

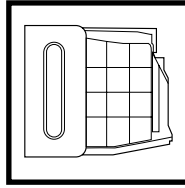


BotBoundary™
RVBBK850

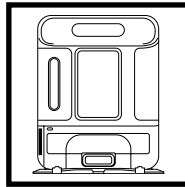


Brosses latérales
102KY1000

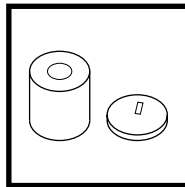
PIÈCES DE RECHANGE : BASE



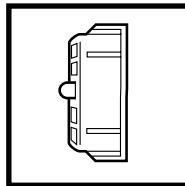
Réceptacle à poussière de la base
116KY1000A



Base à vidange automatique
XDKR1000A



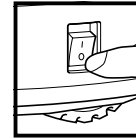
Trousse de filtre pré-moteur en mousse et en feutre
XMFRV1000A



Filtre post-moteur de remplacement
107KY1000AE

REMARQUE : pour commander des pièces de rechange ou des filtres, visitez le sharkaccessories.com.

ENTRETIEN



ATTENTION : Mettez l'appareil hors tension avant d'effectuer tout entretien.

DÉPANNAGE

Si des voyants d'erreur s'allument ou clignotent sur votre Shark iQ Robot™, consultez le tableau de codes d'erreur ci-dessous :

CODE D'ERREUR	SOLUTION
Le VOYANT CLEAN (nettoyer) (ROUGE) clignote	Le robot pourrait être coincé dans un obstacle. Soulevez le robot et déposez-le sur une surface plane.
Le VOYANT DOCK (station de recharge) (ROUGE) clignote	Le pare-choc avant pourrait être coincé. Nettoyez le pare-choc et assurez-vous qu'il se déplace librement.
Les VOYANTS CLEAN (nettoyer) (BLEU) ET DOCK (station de recharge) (ROUGE) sont allumés	Erreur BotBoundary™. Déplacez votre robot vers une surface plane au loin de la bande de limite magnétique et essayez d'effectuer à nouveau un nettoyage.
Les VOYANTS CLEAN (nettoyer) (ROUGE) ET DOCK (station de recharge) (BLEU) clignotent	Erreur du capteur de chute. Déplacez votre robot à un nouvel emplacement et nettoyez ses capteurs de chute.
Les VOYANTS CLEAN (nettoyer) (ROUGE) ET DOCK (station de recharge) (ROUGE) clignotent	Le réceptacle à poussière du robot doit être réinstallé. Insérez le réceptacle à poussière en poussant jusqu'à ce que vous entendiez un déclic.
Les VOYANTS DOCK (station de recharge) (ROUGE) ET ! (ROUGE) clignotent	Une brosse latérale est coincée. Enlevez tout débris autour des brosses latérales afin de leur permettre de bouger librement.
Les VOYANTS CLEAN (nettoyer) (ROUGE), DOCK (station de recharge) (ROUGE) ET ! (ROUGE) clignotent	Une roue motrice est bloquée. Nettoyez les roues et éliminez tout débris enroulé autour des essieux pour leur permettre de bouger librement.
Les VOYANTS CLEAN (nettoyer) (ROUGE) ET DOCK (station de recharge) (BLEU) alternent	Le robot est coincé. Déplacez votre robot à un nouvel emplacement et assurez-vous que le pare-choc avant se déplace librement.
CLEAN (NETTOYER) (BLEU) ET ! (ROUGE) clignotent	Obstruction dans la brosse rotative. Retirez les débris autour de la brosse rotative pour lui permettre de tourner librement.
Les VOYANTS CLEAN (nettoyer) (ROUGE), DOCK (station de recharge) (BLEU) ET ! (ROUGE) clignotent	Le robot a connu une erreur lors du démarrage. Veuillez l'éteindre et le rallumer.
Les VOYANTS CLEAN (nettoyer) (BLEU) ET DOCK (station de recharge) (ROUGE) clignotent	Assurez-vous que le voyant indicateur de la base vire au bleu pour confirmer que votre robot est placé correctement sur la base.
Le VOYANT BATTERY (BATTERIE) (ROUGE) clignote	Le niveau de la batterie est très faible; elle doit être rechargée. Veuillez soulever votre robot et le placer sur la station. Assurez-vous que le voyant indicateur de la base vire au bleu pour confirmer que votre robot est placé correctement sur la base.
Les VOYANTS CLEAN (nettoyer) (ROUGE) ET ! (ROUGE) alternent	Obstruction dans la brosse rotative. Retirez les débris autour de la brosse rotative pour lui permettre de tourner librement.
Les VOYANTS DOCK (station de recharge) (ROUGE) ET ! (ROUGE) sont allumés	Obstruction dans le réceptacle à poussière. Vérifiez que les réceptacles à poussière de la base et du robot ne sont pas obstrués. Éliminez tout débris et réinstallez le réceptacle à poussière, en vous assurant d'entendre le déclic indiquant qu'il est bien placé.
Les VOYANTS DOCK (station de recharge) (BLEU) ET ! (ROUGE) clignotent	Le robot a connu une erreur lors de la charge. Assurez-vous d'utiliser le bon cordon d'alimentation pour la base.
Les VOYANTS CLEAN (nettoyer) (ROUGE) ET ! (ROUGE) clignotent	Panne du moteur d'aspiration. Retirez et videz le réceptacle à poussière, nettoyez les filtres et éliminez les obstructions.
Les VOYANTS CLEAN (nettoyer) (BLEU), DOCK (station de recharge) (ROUGE) ET ! (ROUGE) clignotent	Erreur de l'encodeur de moteur de roue. Veuillez communiquer avec le service à la clientèle Shark au 1 855 460-5423.

Si vous rencontrez toute autre difficulté, veuillez contacter notre service à la clientèle au 1 855 460-5423.

IMPORTANT : VEUILLEZ LIRE ATTENTIVEMENT LES CONDITIONS DE CE CONTRAT DE LICENCE AVANT DE CONTINUER L'INSTALLATION DE CE PROGRAMME OU L'UTILISATION DE CE PRODUIT : Le contrat de licence d'utilisateur final (« CLUF ») de SharkNinja Operating LLC (« SharkNinja ») est un accord juridique entre vous (une entité morale ou une personne physique) et SharkNinja pour les logiciels de SharkNinja, y compris ceux que vous avez installés sur vos produits SharkNinja ou ceux qui sont déjà installés sur votre appareil, incluant tout le micrologiciel (ci-après dénommés les « APPLIS SN »). En installant, en copiant, en cochant une case, en cliquant sur un bouton confirmant votre accord à ces conditions, ou en continuant à utiliser les APPLIS SN, vous acceptez d'être lié par les conditions de ce CLUF. Ce contrat de licence représente l'intégralité de l'accord concernant les APPLIS SN entre vous et SharkNinja, et il remplace toute proposition, représentation ou entente antérieure entre les parties. Si vous n'acceptez pas les conditions de ce CLUF, n'installez pas les APPLIS SN, ne les utilisez pas et n'utilisez pas ce produit.

Les APPLIS SN sont protégées par les lois sur le droit d'auteur et les traités internationaux relatifs au droit d'auteur, ainsi que par d'autres lois et traités concernant la propriété intellectuelle.

1. OCTROI DE LICENCE. Les APPLIS SN font l'objet de la licence suivante :

1.1 Installation et utilisation. SharkNinja vous accorde le droit de télécharger, d'installer et d'utiliser les APPLIS SN sur la plate-forme indiquée pour laquelle les APPLIS SN ont été conçues et concernant les produits SharkNinja pour le fonctionnement desquels les APPLIS SN ont été créées (« dispositifs SN »).

1.2 Copies de sauvegarde. Vous pouvez également faire une copie des APPLIS SN que vous avez téléchargées et installées aux fins de sauvegarde et d'archivage.

2. DESCRIPTION DES AUTRES DROITS ET LIMITATIONS.

2.1 Conservation des avis de droit d'auteur. Vous ne devez pas supprimer ni modifier les avis de droit d'auteur sur toute copie des APPLIS SN.

2.2 Distribution. Il vous est interdit de distribuer des copies des APPLIS SN à des tiers.

2.3 Prohibition de désossage, de décompilation et de démontage. Il vous est interdit de faire le désossage, la décompilation ou le démontage des APPLIS SN, sauf et uniquement dans la mesure où cette activité est expressément autorisée par la loi applicable, en dépit de cette limitation.

2.4 Location. Il vous est interdit de louer ou de prêter les APPLIS SN sans l'autorisation écrite de SharkNinja.

2.5 LOGICIEL À REVENTE INTERDITE. Les applications portant la marque comme « revente interdite » ou « RI » ne peuvent être revendues, cédées ou utilisées à des fins autres que la démonstration, le test ou l'évaluation.

2.6 Services d'assistance. SharkNinja peut vous fournir des services d'assistance liés aux APPLIS SN (« services d'assistance »). Tout code de logiciel supplémentaire qui vous est fourni dans le cadre des services d'assistance fait partie intégrante des APPLIS SN et est assujéti aux conditions de ce CLUF.

2.7 Conformité aux lois applicables. Vous devez respecter toutes les lois applicables concernant l'utilisation des APPLIS SN.

3. MISES À JOUR. SharkNinja peut vous fournir des mises à niveau ou des mises à jour des APPLIS SN. Ce CLUF régira toutes les mises à niveau fournies par SharkNinja qui remplacent ou complètent les APPLIS SN, à moins que ladite mise à niveau soit accompagnée d'un CLUF distinct, auquel cas les conditions de ce dernier prévaudront. Si vous décidez de ne pas télécharger et de ne pas utiliser toute mise à niveau ou mise à jour fournie par SharkNinja, vous comprenez que vous pourriez exposer les APPLIS SN au risque de sérieuses menaces contre la sécurité ou rendre les APPLIS SN inutilisables ou instables.

4. DONNÉES ET CONFIDENTIALITÉ. SharkNinja s'engage à assurer le respect de votre vie privée en se conformant à des normes élevées d'équité et d'intégrité. Nous nous engageons à informer nos clients de la façon dont nous utilisons les informations que nous recueillons auprès de vous par l'entremise de l'utilisation de chacun de nos sites Web ou APPLIS SN sécurisés. Nos pratiques de respect de la vie privée sont décrites dans la politique de confidentialité de SharkNinja, ainsi que dans des avis séparés lorsqu'une application, un produit ou un service est acheté ou téléchargé. En utilisant les APPLIS SN ou en nous fournissant vos renseignements personnels, vous acceptez et consentez aux pratiques et aux conditions décrites dans la politique de confidentialité de SharkNinja. En tout temps, vos renseignements sont traités conformément à la politique de confidentialité de SharkNinja, qui est intégrée par référence dans ce CLUF et qui peut être visualisée à l'URL suivante : <http://www.sharkninja.com/privacypolicy>.

5. BIBLIOTHÈQUES D'APPLICATION ET LOGICIEL INTÉGRÉ PROVENANT DE TIERS.

5.1 Vous reconnaissez qu'Ayla Networks, Inc. (« Ayla ») a fourni certaines bibliothèques d'applications intégrées dans les APPLIS SN (« bibliothèques d'applications Ayla ») et permet aux dispositifs SN de se connecter au service nuagique d'Ayla (« logiciel intégré d'Ayla »).

5.2 Vous n'utiliserez pas les bibliothèques d'applications Ayla sauf en tant que partie intégrée des APPLIS SN, sans modification à la forme qui vous a été fournie.

5.3 Vous n'utiliserez pas le logiciel intégré d'Ayla sauf en tant que partie intégrale des dispositifs SN, sans modification à la forme qui vous a été fournie.

5.4 Vous ne devez pas modifier, adapter, traduire, décompiler, désassembler, désosser, tenter de dériver ou créer des travaux dérivés basés sur le code source ou les algorithmes sous-jacents des bibliothèques d'applications Ayla ou du logiciel intégré d'Ayla.

5.5 SharkNinja conserve la pleine propriété des APPLIS SN (et des bibliothèques d'applications Ayla qu'elles contiennent) et de tout logiciel installé sur les dispositifs SN (y compris le logiciel intégré d'Ayla) et la seule licence qui vous soit accordée concerne l'utilisation des APPLIS SN et des dispositifs SN.

5.6 Vous ne devez pas utiliser les bibliothèques d'applications Ayla ni le logiciel intégré d'Ayla pour tenter d'accéder ou d'utiliser de manière non autorisée les systèmes et les services des autres concédants de licence de SharkNinja; vous ne devez pas non plus transmettre des virus, des vers, des chevaux de Troie, des bombes à retardement, des logiciels espions, des logiciels malveillants, des robots d'annulation, des mécanismes de collecte passive, des robots, des logiciels d'exploration de données ou tout autre code ou programme malveillant ou invasif dans les systèmes et les services des autres concédants de licence de SharkNinja.

5.7 Vous ne devez pas utiliser les bibliothèques d'applications Ayla ni le logiciel intégré d'Ayla pour interférer, briser ou contourner toute fonctionnalité de sécurité, d'authentification ou autre qui restreint ou impose des limitations sur l'utilisation ou l'accès aux systèmes et aux services des autres concédants de licence de SharkNinja.

5.8 Vous ne devez pas sonder, attaquer, scanner, ni vérifier la vulnérabilité des systèmes et des services des autres concédants de licence de SharkNinja.

5.9 Les autres concédants de licence des APPLIS SN de SharkNinja, des bibliothèques d'applications Ayla et du logiciel intégré d'Ayla sont les bénéficiaires express du présent CLUF, et les dispositions de la présente section dudit CLUF sont expressément destinées au bénéfice desdits concédants et sont exécutoires par ces derniers.

6. RÉSILIATION. Sans porter atteinte à tout autre droit, SharkNinja peut résilier ce CLUF si vous ne respectez pas les conditions de ce dernier. Dans un tel cas, vous devez détruire toutes les copies des APPLIS SN en votre possession.

7. DROITS D'AUTEUR. Tous les droits, incluant, entre autres, les droits d'auteur, concernant les APPLIS SN et leurs copies sont la propriété de SharkNinja ou de ses fournisseurs. Tout titre et droit de propriété intellectuelle concernant le contenu auquel on peut accéder par l'entremise de l'utilisation des APPLIS SN appartient au propriétaire du contenu respectif et peut être protégé par des droits d'auteur ou d'autres lois et traités applicables en matière de propriété intellectuelle. Ce CLUF ne vous accorde aucun droit d'utiliser ledit contenu. Tous les droits qui ne sont pas expressément accordés sont réservés par SharkNinja.

8. LOGICIEL LIBRE. Vous reconnaissez par la présente que les APPLIS SN peuvent contenir un logiciel soumis à des licences de logiciel libre (« logiciel libre »). La licence accordée par le présent CLUF ne s'applique pas au logiciel libre contenu dans les APPLIS SN. Les conditions de la licence du logiciel libre applicable s'appliquent plutôt au logiciel libre. Rien dans ce CLUF ne limite vos droits ou ne vous accorde des droits qui remplacent toute licence de logiciel libre. Vous reconnaissez que le contrat de licence du logiciel libre est uniquement entre vous et le concédant de licence applicable dudit logiciel libre. Dans la mesure où les conditions des licences applicables au logiciel libre exigent que SharkNinja fasse une offre pour fournir le logiciel libre, cette offre est donc faite par la présente, et vous pouvez l'exercer en contactant SharkNinja à l'adresse ci-dessous.

9. AUCUNE GARANTIE. SharkNinja n'accorde expressément aucune garantie quant aux APPLIS SN, aux bibliothèques d'applications Ayla et au logiciel intégré d'Ayla. Les APPLIS SN, les bibliothèques d'applications Ayla et le logiciel intégré d'Ayla sont fournis « en l'état » sans garantie expresse ni implicite de quelque nature que ce soit, incluant, entre autres, les garanties de qualité marchande, d'absence de contrefaçon, d'adaptation à un usage particulier ou de titre. SharkNinja ne garantit ni n'assume aucune responsabilité quant à l'exactitude ou l'exhaustivité de toute information, texte, graphique, lien ou autre élément contenu dans les APPLIS SN. SharkNinja n'accorde aucune garantie contre tout préjudice pouvant être causé par la transmission d'un virus informatique, d'un ver, d'une bombe logique ou de tout autre programme informatique. En outre, SharkNinja ne fait expressément aucune garantie ni représentation envers tout tiers.

10. LIMITATION DE RESPONSABILITÉ. En aucun cas, SharkNinja ni ses fournisseurs ne sont tenus responsables de tout dommage particulier, accessoire, punitif, direct, indirect ou consécutif (incluant entre autres, les dommages-intérêts pour perte de profits ou divulgation d'informations confidentielles ou autres, pour interruption d'activité, pour préjudice personnel, pour la perte de la vie privée, pour le non-respect d'un devoir même après avoir agi de bonne foi ou avoir pris des soins raisonnables, pour toute négligence et pour toute autre perte financière ou autre) résultant ou lié de manière quelconque à l'utilisation ou à l'impossibilité d'utiliser les dispositifs SN ou les APPLIS SN, à la fourniture ou l'omission de fournir de l'assistance ou d'autres services, des informations, des logiciels et du contenu connexe par l'entremise du produit ou découlant de l'utilisation des APPLIS SN, ou de toute autre façon, quant à toute disposition de ce CLUF, même en cas de faute, de responsabilité délictuelle (y compris la négligence), de responsabilité stricte, de rupture de contrat ou de manquement à la garantie de SharkNinja ou de tout fournisseur, et même si SharkNinja ou tout fournisseur a été informé de la possibilité desdits dommages. SharkNinja n'est nullement tenue responsable quant au contenu des APPLIS SN ou de toute partie de ces dernières, incluant, entre autres, tous les cas d'erreurs ou d'omissions qui y sont contenues, de diffamation, d'infractions aux droits de publicité, à la vie privée ou aux droits de marque, d'interruption d'activité, de préjudice personnel, de perte de vie privée, aux droits moraux ou de la divulgation de renseignements confidentiels.

11. LOI APPLICABLE. Les lois du Commonwealth du Massachusetts régiront ce CLUF et vous consentez par la présente à la compétence d'attribution et à la compétence territoriale exclusives des tribunaux fédéraux et étatiques siégeant dans le Commonwealth du Massachusetts.

12. CESSIION. SharkNinja peut céder ce CLUF sans préavis au concédant.

13. INTÉGRALITÉ DU CONTRAT. Ce CLUF (incluant tout addenda ou modification à ce dernier qui est inclus avec les dispositifs SN) constitue l'intégralité de l'accord entre vous et SharkNinja concernant les APPLIS SN et remplace toutes les communications, propositions et représentations orales ou écrites antérieures ou contemporaines concernant les APPLIS SN ou tout autre sujet couvert par ledit CLUF. Dans la mesure où les conditions de toute politique ou de tout programme SharkNinja concernant les services d'assistance entrent en conflit avec les conditions de ce CLUF, les modalités de ce dernier sont exécutoires.

Si vous avez des questions concernant ce CLUF, veuillez contacter SharkNinja au 89 A Street, Suite 100, Needham, MA 02494.

GARANTIE LIMITÉE D'UN (1) AN

La garantie limitée d'un (1) an s'applique aux achats effectués auprès de détaillants autorisés de **SharkNinja Operating LLC**. La garantie s'applique uniquement au premier propriétaire et au produit original et n'est pas transférable.

SharkNinja garantit ce produit contre toute défectuosité de matériau ou de main-d'œuvre pour une période d'un (1) an à compter de la date d'achat, dans le cadre d'un usage domestique normal et si le produit est entretenu conformément aux exigences décrites dans le guide de l'utilisateur, sujet aux conditions, aux exclusions et aux exceptions ci-dessous.

Qu'est-ce qui est couvert par cette garantie?

1. L'appareil d'origine et/ou les composants inusables considérés comme défectueux, à la seule discrétion de SharkNinja, seront réparés ou remplacés jusqu'à un (1) an à compter de la date d'achat initiale.
2. Dans le cas d'un remplacement de l'appareil, la garantie prendra fin six (6) mois après la date de réception de l'appareil de remplacement ou pendant le reste de la période de garantie existante, selon la période la plus longue. SharkNinja se réserve le droit de le remplacer par un appareil de valeur égale ou supérieure.

Qu'est-ce qui n'est pas couvert par cette garantie?

1. L'usure normale des pièces (comme les filtres en mousse, les filtres HEPA, les tampons, etc.) qui nécessitent un entretien et/ou un remplacement réguliers afin d'assurer le bon fonctionnement de votre appareil n'est pas couverte par cette garantie. Vous pouvez faire l'achat de pièces de rechange par l'entremise du site sharkaccessories.com.
2. La garantie ne s'applique pas aux appareils utilisés de façon abusive ou à des fins commerciales.
3. Les dommages causés par une mauvaise utilisation (comme aspirer de l'eau ou d'autres liquides), un abus, une négligence lors de la manipulation, un manquement à la l'entretien nécessaire (comme ne pas nettoyer les filtres), ou un dommage dû à une mauvaise manipulation pendant le transport.
4. Les dommages indirects et accessoires.
5. Les défectuosités causées par des réparateurs non autorisés par SharkNinja. Ces défectuosités incluent les dommages causés lors du processus d'expédition, de modification ou de réparation du produit SharkNinja (ou de l'une de ses pièces) lorsque la réparation est effectuée par un réparateur non autorisé par SharkNinja.
6. Les produits achetés, utilisés ou mis en fonction à l'extérieur de l'Amérique du Nord.

Comment obtenir du service

Si votre appareil ne fonctionne pas correctement lorsque vous l'utilisez normalement à domicile durant la période de garantie, visitez le sharkclean.com/support pour obtenir de l'information sur les soins et entretien du produit que vous pouvez effectuer vous-même. Nos spécialistes du service à la clientèle sont aussi disponibles au **1 855 460-5423** pour de l'assistance sur les produits et les options de garantie de service offertes, y compris la possibilité de passer à nos options de garantie de service VIP pour certaines catégories de produits.

SharkNinja assumera les frais de retour de l'appareil à nos sites par le consommateur en vue de la réparation ou du remplacement de l'appareil. Un montant de 24,95 \$ (sujet à changement) sera facturé lorsque SharkNinja expédiera l'appareil réparé ou remplacé.


Comment présenter une demande de service sous garantie

Veuillez noter que vous devez téléphoner au **1 855 460-5423** pour soumettre une réclamation au titre de la garantie. Vous aurez besoin du reçu comme preuve d'achat. Un spécialiste du service à la clientèle vous fournira les directives d'emballage et de retour.

De quelle manière les lois d'État s'appliquent-elles?

Cette garantie vous accorde des droits spécifiques légaux et vous pouvez aussi bénéficier d'autres droits qui varient d'une province ou d'un État à l'autre. Certains États américains ou certaines provinces canadiennes n'acceptent pas l'exclusion ou la limitation de dommages accessoires ou indirects, ce qui fait que cette disposition peut ne pas s'appliquer à votre cas.

ENREGISTREZ VOTRE ACHAT :

 registryourshark.com



NOTEZ LES RENSEIGNEMENTS CI-DESSOUS

Numéro de modèle : _____

Code de date : _____

Date d'achat : _____
(Conservez la facture)

Magasin où l'appareil
a été acheté : _____

CONSEIL : Le numéro de modèle et le numéro de série sont indiqués sur l'étiquette de code QR, située au bas de la partie arrière du robot et de la batterie.

RENDEMENT PRÉVU

Délai de fonctionnement prévu : 60 minutes

Délai de chargement prévu : 6 heures



RETRAIT ET MISE AU REBUT DES BATTERIES

Ce produit utilise une batterie. Lorsque la charge maximale de la batterie devient insuffisante, il faut retirer la batterie de l'aspirateur et la recycler. **N'INCINÉREZ PAS** la batterie et **NE LA METTEZ PAS** au compost.

Lorsque la batterie au lithium-ion doit être remplacée, jetez-la ou recyclez-la conformément aux ordonnances ou aux règlements locaux. Dans certaines régions, il est illégal de déposer des batteries au lithium-ion usées au rebut ou dans un flux de déchets solides municipaux. Envoyez les batteries usées à un centre de recyclage autorisé ou retournez-les au détaillant aux fins de recyclage. Communiquez avec votre centre de recyclage local pour savoir où déposer la batterie usée.

Pour plus d'information sur le retrait des piles aux fins d'élimination, consultez : sharkclean.com/batterysupport.

Le sceau de la RBRC™ (Rechargeable Battery Recycling Corporation [Société de recyclage des piles et des batteries rechargeables]) sur la batterie au lithium-ion indique que SharkNinja a déjà payé les coûts de recyclage de la batterie à la fin de sa durée de vie. Dans certaines régions, il est illégal de déposer des batteries au lithium-ion usées au rebut ou dans un flux de déchets solides municipaux; le programme de la RBRC offre une solution de rechange respectueuse de l'environnement.

La RBRC, en collaboration avec SharkNinja et d'autres grands utilisateurs de batteries, a créé aux États-Unis et au Canada des programmes visant à faciliter la collecte de batteries au lithium-ion usées. Aidez à protéger l'environnement et à conserver les ressources naturelles en retournant la batterie au lithium-ion usée à un centre d'entretien SharkNinja autorisé ou à votre détaillant local à des fins de recyclage. Vous pouvez également composer le 1 800 798-7398 ou communiquer avec votre centre de recyclage local pour savoir où déposer la batterie usée.

PLEASE READ CAREFULLY AND KEEP FOR FUTURE REFERENCE.

This Owner's Guide is designed to help you keep your Shark iQ Self-Empty Robot™ running at peak performance.

SharkNinja Operating LLC
US: Needham, MA 02494
CAN: Ville St-Laurent, QC H4S 1A7
1-855-460-5423
sharkclean.com

Illustrations may differ from actual product. We are constantly striving to improve our products; therefore the specifications contained herein are subject to change without notice. For SharkNinja U.S. Patent information, visit sharkninja.com/uspatents

VEUILLEZ LIRE ATTENTIVEMENT LE PRÉSENT MODE D'EMPLOI ET LE CONSERVER À TITRE INFORMATIF.

Ce guide de l'utilisateur a été conçu afin que vous puissiez faire fonctionner votre Shark iQ Self-Empty Robot au maximum de ses performances.

SharkNinja Operating LLC
États-Unis : Needham, MA 02494
Canada : Saint-Laurent (QC) H4S 1A7
1 855 460-5423
sharkclean.com

Les illustrations peuvent différer du produit réel. Nous tentons constamment d'améliorer nos produits; par conséquent, les caractéristiques indiquées dans le présent guide peuvent être modifiées sans préavis.

Pour obtenir de l'information au sujet des brevets de SharkNinja aux États-Unis, consultez le site suivant : www.sharkninja.com/USPatents

© 2020 SharkNinja Operating LLC. SHARK is a registered trademark of SharkNinja Operating, LLC. BOTBOUNDARY, SHARKCLEAN, SHARK IQ ROBOT, and SHARK IQ ROBOT SELF-EMPTY are trademarks of SharkNinja Operating LLC. RBRC is a trademark of Rechargeable Battery Recycling Corporation. APP STORE is a service mark of Apple Inc., registered in the U.S. and other countries. GOOGLE, GOOGLE ASSISTANT, GOOGLE PLAY, the Google Play logo, and Android are trademarks of GOOGLE LLC.

© SharkNinja Operating LLC, 2020. SHARK est une marque déposée de SharkNinja Operating, LLC. BOTBOUNDARY, SHARKCLEAN, SHARK IQ ROBOT et SHARK IQ ROBOT SELF-EMPTY sont des marques commerciales de SharkNinja Operating, LLC. RBRC est une marque de commerce de la Rechargeable Battery Recycling Corporation. APP STORE est une marque de service d'Apple Inc., enregistrée aux États-Unis et dans d'autres pays. GOOGLE, GOOGLE ASSISTANT, GOOGLE PLAY, le logo Google Play et Android sont des marques de commerce de GOOGLE LLC.