

Shark

Rocket®

Corded Ultra-Light Vacuum

Aspirateur ultra-léger avec fil

Aspiradora ultraliviana con cable

ZS350 Series • Série • Serie

OWNER'S GUIDE

GUIDE DE L'UTILISATEUR

GUÍA DEL PROPIETARIO



ZERO·M®

IMPORTANT SAFETY INSTRUCTIONS

HOUSEHOLD USE ONLY

To reduce the risk of electric shock, this vacuum cleaner has a polarized plug (one blade is wider than the other). As a safety feature, this plug will fit into a polarized outlet only one way. If the plug does not fit fully into the outlet, reverse the plug. If it still does not fit, contact a qualified electrician. **DO NOT force into outlet or try to modify to fit.**

⚠ WARNING

TO REDUCE THE RISK OF FIRE, ELECTRIC SHOCK OR INJURY:

GENERAL WARNINGS

Your vacuum cleaner may consist of a motorized nozzle, wand, hose, and/or vacuum pod. This device contains electrical connections, electrical wiring, and moving parts that potentially present risk to the user.

Use only identical replacement parts.

Carefully observe and follow the instructions provided below to avoid improper use of the appliance. **DO NOT** use the vacuum for any purpose other than those described in this manual.

Before use, carefully inspect all parts for any damage. **DO NOT** use if any parts are damaged.

The use of an extension cord is **NOT** recommended.

This vacuum cleaner contains no serviceable parts.

USE WARNINGS

DO NOT allow the appliance to be used by children. Close supervision is necessary when used near children. This is not a toy.

Always turn off the vacuum cleaner before connecting or disconnecting any motorized nozzles or other accessories.

DO NOT handle plug or vacuum cleaner with wet hands.

DO NOT use without filters in place.

Only use Shark® branded filters and accessories. Failure to do so will also void the warranty.

DO NOT damage the power cord:

a) **DO NOT** pull or carry vacuum cleaner by the cord or use the cord as a handle.

b) **DO NOT** unplug by pulling on cord. Grasp the plug, not the cord.

c) **DO NOT** run the vacuum cleaner over the power cord, close a door on the cord, pull the cord around sharp corners, or leave the cord near heated surfaces.

DO NOT put any objects into nozzle or accessory openings. **DO NOT** use with any opening blocked; keep free of dust, lint, hair, and anything that may reduce airflow.

DO NOT use if nozzle or accessory airflow is restricted. If the air paths or the motorized floor nozzle become blocked, turn the vacuum cleaner off and unplug from electrical outlet. Remove all obstructions before you plug in and turn on the unit again.

Keep nozzle and all vacuum openings away from hair, face, fingers, uncovered feet, or loose clothing.

DO NOT use if vacuum cleaner is not working as it should, or has been dropped, damaged, left outdoors, or dropped into water.

SAVE THESE INSTRUCTIONS

READ ALL INSTRUCTIONS BEFORE USE

Use extra care when cleaning on stairs.

DO NOT leave the vacuum cleaner unattended while plugged in.

When powered on, keep the vacuum cleaner moving over the carpet surface at all times to avoid damaging the carpet fibers.

DO NOT place vacuum cleaner on unstable surfaces such as chairs or tables.

Your Shark® vacuum may not be designed to stand up on its own. When taking a break from cleaning, you may need to lean it against furniture or a wall, or lay it flat on the floor. Using the vacuum for an application where the unit lacks stability may result in personal injury.

DO NOT use to pick up:

- a) Liquids
- b) Large objects
- c) Hard or sharp objects (glass, nails, screws, or coins)
- d) Large quantities of dust (drywall dust, fireplace ash, or embers). **DO NOT** use as an attachment to power tools for dust collection.
- e) Smoking or burning objects (hot coals, cigarette butts, or matches)
- f) Flammable or combustible materials (lighter fluid, gasoline, or kerosene)
- g) Toxic materials (chlorine bleach, ammonia, or drain cleaner)

DO NOT use in the following areas:

- a) Poorly lit areas
- b) Wet or damp surfaces
- c) Outdoor areas
- d) Spaces that are enclosed and may contain explosive or toxic fumes or vapors (lighter fluid, gasoline, kerosene, paint, paint thinners, mothproofing substances, or flammable dust)

Turn off all controls before plugging in or unplugging the vacuum.

Unplug from electrical outlet when not in use and before any maintenance or cleaning.

Hand wash with water only. Washing with cleaning chemicals could damage the unit.

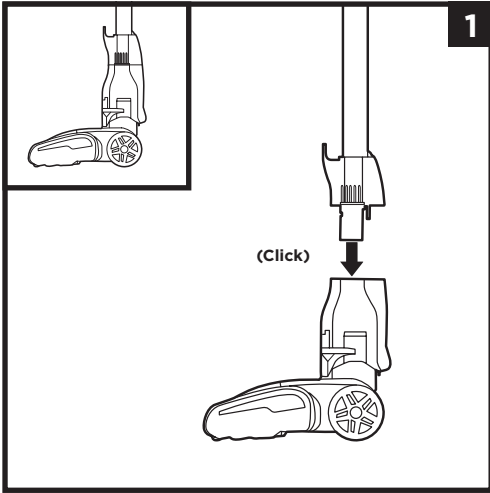
During cleaning or routine maintenance, **DO NOT** cut anything other than hair, fibers, or string wrapped around the brushroll.

Allow all filters to air-dry completely before replacing in the vacuum to prevent liquid from being drawn into electric parts.

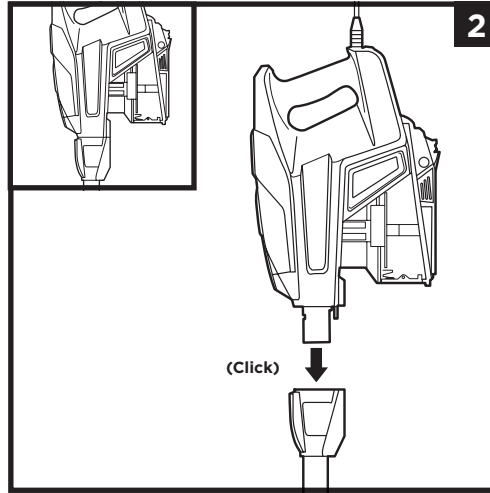
Make sure the dust cup and all filters are in place after routine maintenance.

If provided, secure the power cord around the two cord hooks during storage.

ASSEMBLY



1



2

1. Insert **Wand** into **Zero-M® Cleaner Head**.
2. Insert **Handheld Vacuum** into wand.

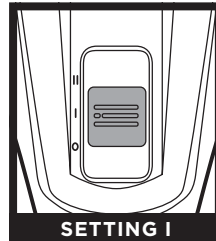
Ensure all connections click securely into place.

SETTINGS



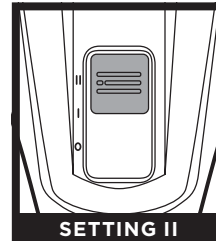
OFF

Slide switch to the bottom to turn off power. To begin vacuuming, slide switch to the appropriate setting.



SETTING I

Bare Floor/Small Area Rugs
The brushroll spins slowly to clean bare floors and delicate area rugs.

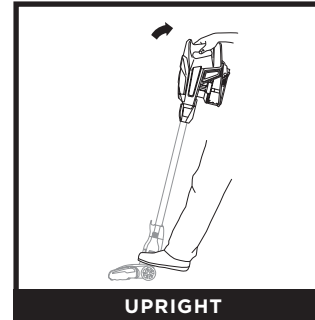


SETTING II

Carpet
The brushroll spins faster to pick up debris below the surface of your carpet.

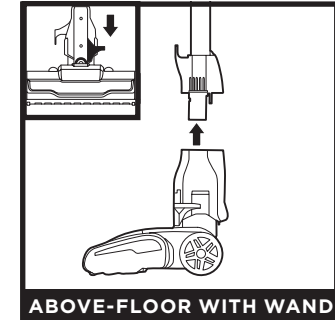
NOTE: For deep cleaning per ASTM F 608 (embedded dirt in carpets) please use setting II, Carpet.

CLEANING MODES



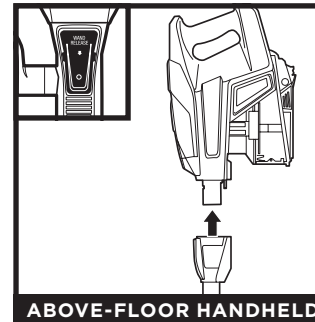
UPRIGHT

To clean floors, place foot on cleaner head and tilt handheld vacuum back.



ABOVE-FLOOR WITH WAND

Stand the vacuum upright. Step on the foot pedal on the bottom left side of the cleaner head and pull the wand up to disconnect it. Great for cleaning baseboards, ceiling fans, window sills, etc.



ABOVE-FLOOR HANDHELD

Press the **WAND RELEASE** button and lift the handheld vacuum off the wand. Great for cleaning stairs and furniture.

NOTE: All accessories attach to either the wand or the handheld vacuum.

WHAT DOES THE BRUSHROLL INDICATOR LIGHT MEAN?

Solid Green

The brushroll is on and working as it should.

Solid Red

There is a jam in the brushroll area. Turn your vacuum off and remove the blockage.

No Light: The vacuum is off.

Flashing Red: The vacuum has overheated. See Troubleshooting section.

AVAILABLE ACCESSORIES

NOTE: Not all accessories come with all units. Please see the enclosed Quick Start Guide for your unit's configuration. To order additional accessories, visit sharkaccessories.com.

A 5" Crevice Tool

This slender 5" tool can access corners, baseboards, tight spaces, and ceilings.

B 12" Crevice Tool

Clean in tight spaces or reach baseboards and ceilings with this slim crevice tool.

C Dusting Brush

Dust shelves, baseboards, window and door frames, and much more. Turn the brush head to adjust the angle to the surface you're cleaning.

D Pet/Upholstery Tool

Perfect for grabbing pet hair and lint from furniture and other upholstered surfaces.

E Pet Multi-Tool

A single convertible tool for cleaning tough pet messes two ways: first, a stiff bristle brush for cleaning stuck-on debris. Then take off the bristles to reveal an upholstery tool for removing stubborn pet hair.

F Duster Crevice Tool

Two cleaning tools in one. The crevice tool gives you extended cleaning reach for small spaces, while the dusting brush cleans a multitude of surfaces.

G Mini Motorized Brush

Powered by a motor, this small brush removes the clingiest pet hair and extracts dirt, dust, dander, and allergens from deep inside pillows, upholstery, and carpets.

H Under-Appliance Wand

Clean under and behind hard-to-move appliances and furniture with this adjustable 36" tool. Flip the extension piece over to clean the underside of appliances.

I Precision Duster

Flexible tube with micro-duster crevice tool on the end for cleaning around delicate objects and in difficult-to-reach spots like car interiors and computer keyboards.

J Flexible Hose

Stretch and flex this extension hose to clean around objects and get into hard-to-reach spaces. Attach the crevice tool or another accessory depending on what you are cleaning.

K Onboard Storage Clip

Removable clip attaches to the vacuum wand. Can hold up to two accessories at a time while cleaning or for storage.

L Wall Mount

Install the mount to hang your vacuum on the wall for convenient storage. Includes screws, anchors, and instruction sheet with mounting template for easy installation.

A



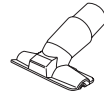
B



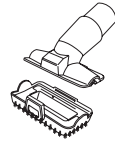
C



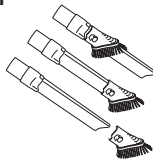
D



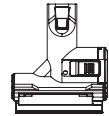
E



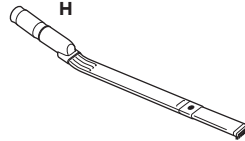
F



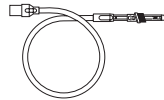
G



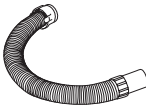
H



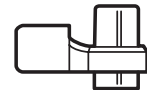
I



J



K

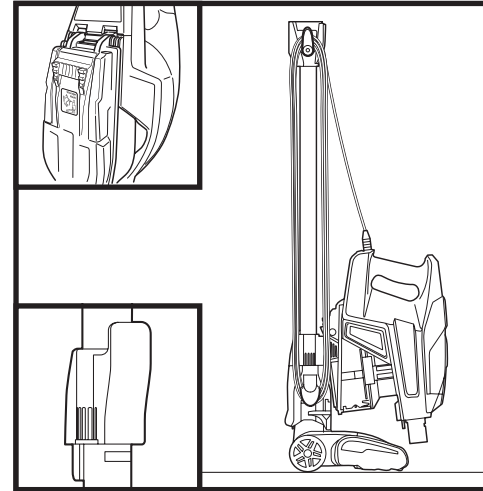


L



STORAGE

ONBOARD HOOK



Press the WAND RELEASE button on the top of the wand to detach the handheld vacuum. Align the catch on the bottom of the handheld vacuum with the storage hook on the wand. Slide handheld vacuum down so the catch hangs from the storage hook. Wrap the cord around the two cord hooks.

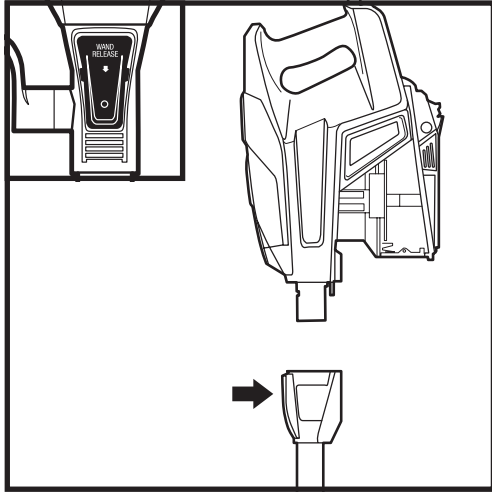
Note: Ensure there is slack where the cord connects to the handheld vacuum.

MAINTENANCE

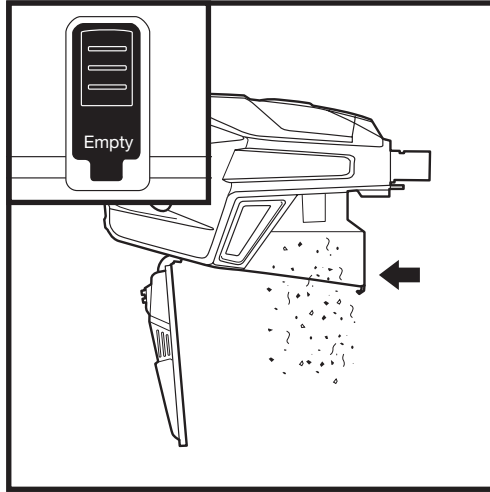
IMPORTANT: Unplug the vacuum before performing any maintenance.

EMPTYING THE DUST CUP

The dust cup needs to be emptied each time you vacuum and periodically during cleaning, when debris in the dust cup reaches the MAX fill line.

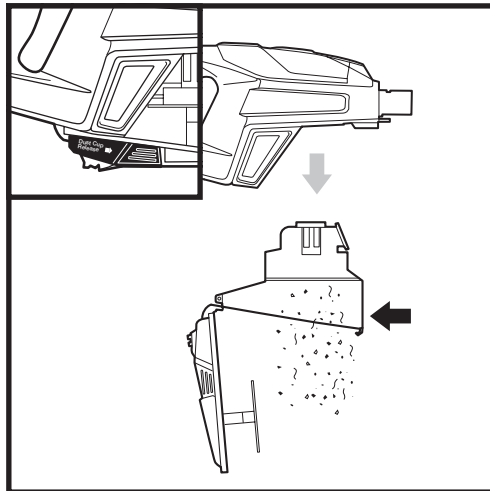


Press the WAND RELEASE button and lift the handheld vacuum off the wand.



With the dust cup attached to the handheld vacuum, press the **Empty** button on the front of the dust cup.

OR



To remove the dust cup from the handheld vacuum, squeeze the two **Dust Cup Release** buttons at the same time and pull out the dust cup. Press the Empty button on the front of the dust cup.

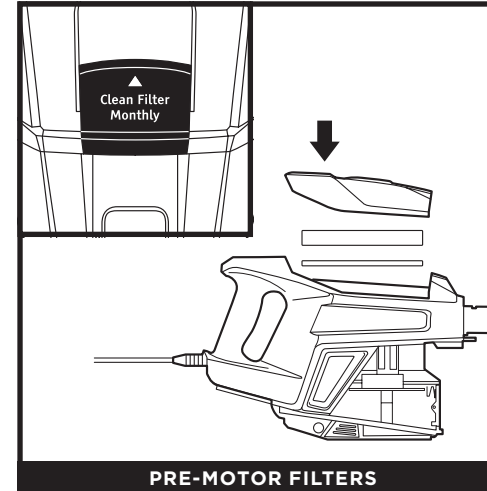
MAINTENANCE

IMPORTANT: Unplug the vacuum before performing any maintenance.

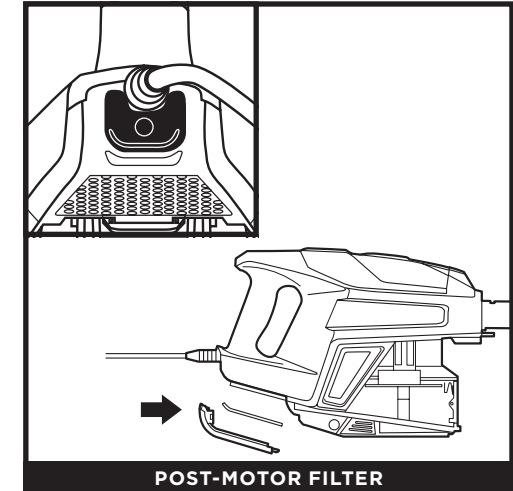
CLEANING FILTERS

Perform regular maintenance on your filters to keep your vacuum's suction power optimal.

IMPORTANT: To prevent damage, rinse filters with water **ONLY**. **DO NOT** use soap. Allow filters to air-dry for at least 24 hours before reinstalling them to prevent liquid from being drawn into electric parts.



Wash the pre-motor filters once a month.



Wash the post-motor filter every 9 months.

REPLACEMENT FILTERS

Replacement Pre-Motor Filter Kit
XPMFK320

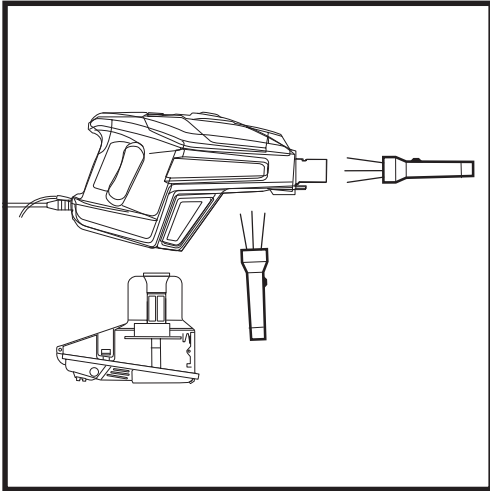
Replacement Post-Motor Filter
1084FTV320

NOTE: The pre-motor filters should be replaced every 2.5 years. The post-motor filter should be replaced every 3 years.

MAINTENANCE

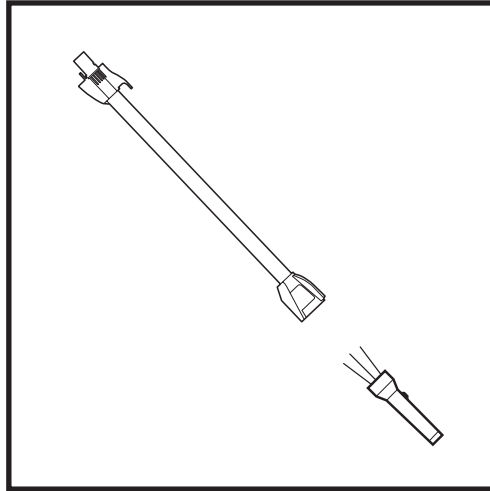
CHECKING FOR BLOCKAGES

CHECK HANDHELD



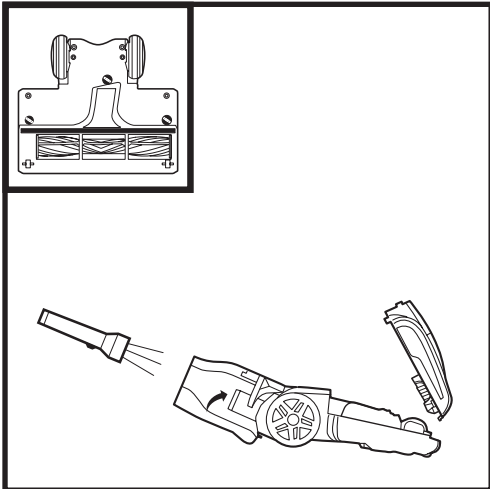
Remove the wand from the handheld vacuum and check all dust cup intake openings.

CHECK WAND



Detach the wand and check it for blockages.

CHECK CLEANER HEAD



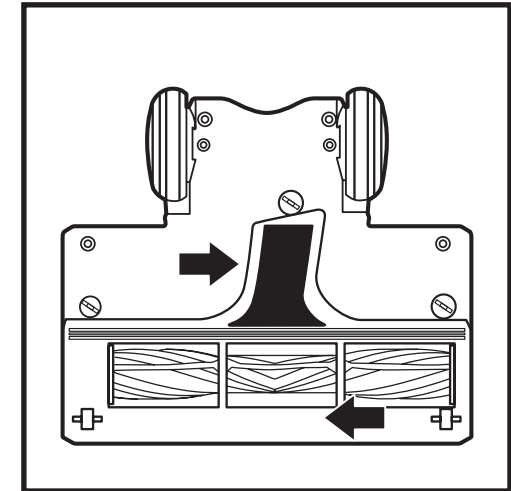
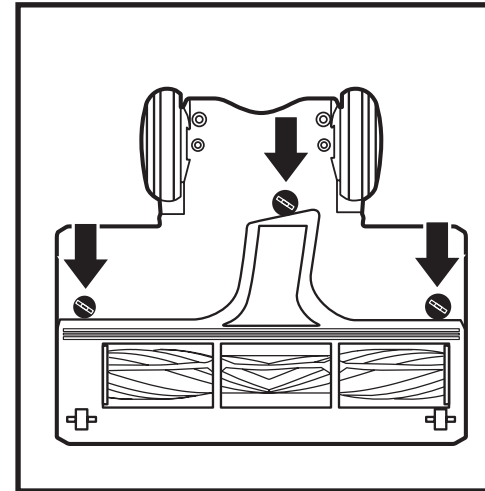
Detach the wand, then use the edge of a coin to open the three locks on the bottom of the cleaner head. Remove the cover, then tilt back the neck of the cleaner head and check the opening for blockages. Replace cover, pressing down firmly on all sides before turning locks clockwise to close.

MAINTENANCE

CLEANER HEAD MAINTENANCE

Zero-M® technology actively removes hair wrap from your brushroll while you vacuum. If you run over a hard or sharp object or notice a noise change while vacuuming, check for blockages or objects caught in the brushroll.

NOTE: If any hair is wrapped around the brushroll, continue cleaning, using Carpet mode on a bare floor surface, a low-pile carpet, or a small area rug. This will allow ZERO-M technology to remove the hair wrap and send it to the dust cup. If some fibers remain wrapped around the brushroll after continued use, carefully remove them.



1. Using a coin, turn locks counterclockwise to open, then lift off cover to access **Brushroll**.
2. Clear blockages from airway.
3. Replace cover, pressing down firmly on all sides, including along the front, before turning locks clockwise to close.

TROUBLESHOOTING

Vacuum is not picking up debris. No suction or light suction.
(Refer to Maintenance section for more information.)

- Check filters to see if they need cleaning. Follow instructions for rinsing and completely air-drying the filters before reinserting in the vacuum.
- Dust cup may be full; empty dust cup.
- Check cleaner head for blockages; clear blockages if required.
- Remove any string, carpet fibers, or hair that may be wrapped around the brushroll.
- Ensure the cover on the underside of the cleaner head is locked in place by pressing down firmly on all sides, including along the front, before turning the 3 gray locks clockwise to close.

Vacuum lifts area rugs.

- Suction is powerful. Take care when vacuuming area rugs or rugs with delicately sewn edges.
- Turn off the unit to disengage the brushroll. To restart, slide the Power switch to setting I, Bare Floor/ Small Area Rugs.

Brushroll does not spin.

- If the Brushroll Indicator Light turns red, immediately turn off and unplug the vacuum. Disconnect wand from cleaner head and clear any blockages. Reconnect wand, plug in vacuum, and turn on power.
- If Brushroll Indicator Light on the cleaner head is green, the blockage has been successfully cleared. If the light is still red, please contact Customer Service at 1-800-798-7398.

Vacuum turns off on its own or if the indicator light flashes red.

This vacuum is equipped with a motor-protective thermostat so it will shut off if it overheats. Should this occur, perform the following steps to restart the motor-protective thermostat:

1. Turn vacuum off and unplug it.
2. Empty dust cup and clean filters (see Maintenance section).
3. Check for blockages in hose, accessories, and inlet openings.
4. Allow unit to cool for a minimum of 45 minutes.
5. Plug in vacuum and turn it on.

For all other issues, visit sharkclean.com/support.

REGISTER YOUR PURCHASE



registryourshark.com



Benefits of registering your product and creating an account:

- Get easier, faster product support and access to warranty information
- Access troubleshooting and product care instructions
- Be among the first to know about exclusive product promotions

TIP: The model number is on the rating label behind the dust cup.

TIP: The date code is on one of the prongs of the power cord plug.

RECORD THIS INFORMATION

Model Number: _____

Date Code: _____

Date of Purchase: _____
(Keep receipt)

Store of Purchase: _____

TECHNICAL SPECIFICATIONS

Voltage: 120V, 60Hz

Watts: 500W

Amps: 4.2A

FIVE (5) YEAR LIMITED WARRANTY

The Five (5) Year Limited Warranty applies to purchases made from authorized retailers of **SharkNinja Operating LLC**. Warranty coverage applies to the original owner and to the original product only and is not transferable.

SharkNinja warrants that the unit shall be free from defects in material and workmanship for a period of five (5) years from the date of purchase when it is used under normal household conditions and maintained according to the requirements outlined in the Owner's Guide, subject to the following conditions and exclusions:

What is covered by this warranty?

1. The original unit and/or non-wearable components deemed defective, in SharkNinja's sole discretion, will be repaired or replaced up to five (5) years from the original purchase date.
2. In the event a replacement unit is issued, the warranty coverage ends six (6) months following the receipt date of the replacement unit or the remainder of the existing warranty, whichever is later. SharkNinja reserves the right to replace the unit with one of equal or greater value.

What is not covered by this warranty?

1. Normal wear and tear of wearable parts (such as foam filters, HEPA filters, pads, etc.), which require regular maintenance and/or replacement to ensure the proper functioning of your unit, are not covered by this warranty. Replacement parts are available for purchase at sharkaccessories.com.
2. Any unit that has been tampered with or used for commercial purposes.
3. Damage caused by misuse (e.g., vacuuming up water or other liquids), abuse, negligent handling, failure to perform required maintenance (e.g., not cleaning the filters), or damage due to mishandling in transit.
4. Consequential and incidental damages.
5. Defects caused by repair persons not authorized by SharkNinja. These defects include damages caused in the process of shipping, altering, or repairing the SharkNinja product (or any of its parts) when the repair is performed by a repair person not authorized by SharkNinja.
6. Products purchased, used, or operated outside North America.

How to get service

If your appliance fails to operate properly while in use under normal household conditions within the warranty period, visit sharkclean.com/support for product care and maintenance self-help. Our Customer Service Specialists are also available at **1-800-798-7398** to assist with product support and warranty service options, including the possibility of upgrading to our VIP warranty service options for select product categories.

SharkNinja will cover the cost for the customer to send in the unit to us for repair or replacement. A fee of \$24.95 (subject to change) will be charged when SharkNinja ships the repaired or replacement unit.

How to initiate a warranty claim

You must call **1-800-798-7398** to initiate a warranty claim. You will need the receipt as proof of purchase. A Customer Service Specialist will provide you with return and packing instruction information.

How state law applies

This warranty gives you specific legal rights, and you also may have other rights that vary from state to state. Some states do not permit the exclusion or limitation of incidental or consequential damages, so the above may not apply to you.

IMPORTANTES CONSIGNES DE SÉCURITÉ

USAGE DOMESTIQUE SEULEMENT

Pour réduire le risque de décharges électriques, cet aspirateur est muni d'une fiche polarisée (une lame est plus large que l'autre). Comme précaution, cette fiche s'insère dans une prise polarisée dans un seul sens. Si la fiche d'alimentation ne s'insère pas à fond dans la prise de courant, inversez alors le sens de la fiche. Si elle ne s'insère toujours pas, communiquez avec un électricien qualifié. **NE FORCEZ PAS** pour insérer la fiche dans la prise et ne tentez pas de la modifier.

⚠ AVERTISSEMENT

AFIN DE RÉDUIRE LES RISQUES D'INCENDIE, D'ÉLECTROCUTION OU DE BLESSURE :

AVERTISSEMENTS GÉNÉRAUX

Votre aspirateur pourrait être composé d'une buse motorisée, d'un tube, d'un tuyau et/ou d'un réceptacle. Cet appareil comporte des raccordements électriques, du filage électrique et des pièces amovibles pouvant exposer l'utilisateur à certains risques.

Utilisez uniquement des pièces de rechange identiques.

Respectez et suivez attentivement les instructions ci-dessous afin d'éviter tout usage inadéquat de l'appareil. **N'UTILISEZ PAS** l'aspirateur pour un usage autre que ceux décrits dans le présent manuel.

Avant d'utiliser, inspectez soigneusement toutes les pièces afin de déceler tout dommage. **NE L'UTILISEZ PAS** s'il est endommagé. L'utilisation d'une rallonge électrique **N'EST PAS** recommandée.

Cet aspirateur ne renferme aucune pièce qui peut être réparée.

AVERTISSEMENTS CONCERNANT L'UTILISATION

NE LAISSEZ PAS les enfants se servir de l'appareil. Une surveillance étroite est nécessaire lorsque l'appareil est utilisé en présence d'enfants. Cet appareil n'est pas un jouet.

Mettez toujours l'aspirateur hors tension avant d'attacher ou de détacher la buse motorisée ou un autre accessoire.

NE MANIPULEZ PAS la fiche ou l'aspirateur avec les mains mouillées.

N'UTILISEZ PAS l'appareil si les filtres ne sont pas en place.

Utilisez uniquement des filtres et des accessoires de marque Shark^{MD}. Sinon, la garantie sera annulée.

Prenez soin de **NE PAS ENDOMMAGER** le cordon d'alimentation :

- a) **N'UTILISEZ PAS** le cordon d'alimentation comme poignée pour porter ou pour tirer l'aspirateur.
- b) **NE DÉBRANCHEZ PAS** l'appareil en tirant sur le cordon d'alimentation. Agrippez la fiche et non le cordon.
- c) **NE PASSEZ PAS** l'aspirateur par-dessus le cordon d'alimentation, ne fermez pas une porte sur le cordon, ne tirez pas le cordon sur des coins pointus et ne laissez pas le cordon près de surfaces chaudes.

ÉVITEZ d'insérer des objets dans les ouvertures de la buse ou de tout autre accessoire. **N'UTILISEZ PAS** l'appareil si une ouverture est obstruée. Veillez à ce que les ouvertures ne soient pas bloquées par de la poussière, de la peluche, des cheveux ou tout autre élément qui pourrait gêner la circulation de l'air.

N'UTILISEZ PAS l'appareil si le flux d'air de la buse ou de l'accessoire est obstrué. Si la buse de plancher motorisée ou les conduits d'air deviennent obstrués, éteignez

CONSERVEZ CES INSTRUCTIONS

LISEZ TOUTES LES INSTRUCTIONS AVANT L'UTILISATION

l'aspirateur et débranchez-le de la prise de courant. Retirez toute obstruction avant de remettre l'appareil en marche.

Tenez la buse et tous les orifices de l'aspirateur éloignés des cheveux, du visage, des doigts, des pieds déchaussés ou des vêtements amples.

N'UTILISEZ PAS l'aspirateur s'il ne fonctionne pas comme prévu, ou s'il a été échappé sur le sol, endommagé, laissé à l'extérieur ou immergé.

Soyez extrêmement prudent lorsque vous nettoyez les escaliers.

NE LAISSEZ PAS l'aspirateur sans surveillance lorsqu'il est branché.

Lorsqu'il est en marche, gardez l'aspirateur en mouvement sur le tapis en tout temps, afin d'éviter d'endommager les fibres du tapis.

NE PLACEZ PAS l'aspirateur sur des surfaces instables comme des chaises ou des tables.

Votre aspirateur Shark^{MD} pourrait ne pas avoir été conçu pour se maintenir de lui-même en position verticale. Lorsque vous prenez une pause, vous devrez peut-être l'appuyer contre un meuble ou un mur, ou le placer sur le plancher. Toute utilisation où l'aspirateur serait dans une position instable pourrait entraîner des blessures corporelles.

N'UTILISEZ PAS l'appareil pour aspirer :

- a) Des liquides
- b) Des objets de grande taille
- c) Des objets durs ou tranchants (verre, clous, vis ou pièces de monnaie)
- d) De grandes quantités de poussière (poussière de cloison sèche, cendres ou braises de foyer). **N'UTILISEZ PAS** l'aspirateur comme accessoire pour un outil électrique pour l'aspiration de la poussière.

- e) Des objets fumants ou brûlants (charbons ardents, mégots de cigarettes ou allumettes)
- f) Des matériaux inflammables ou combustibles (essence à briquet, essence ou kérosène)
- g) Matières toxiques (eau de Javel, ammoniac ou produit débouchant)

N'UTILISEZ PAS l'appareil dans les endroits suivants :

- a) Endroits faiblement éclairés
- b) Surfaces humides ou mouillées
- c) À l'extérieur
- d) Dans des endroits fermés pouvant contenir des matières explosives, ou des fumées ou vapeurs toxiques (essence à briquet, essence, kérosène, peinture, diluants à peinture, produits de traitement antimite ou poussières inflammables)

Fermez toutes les commandes avant de brancher ou de débrancher l'aspirateur.

Débranchez l'appareil de la prise murale lorsqu'il n'est pas en usage, et avant d'en faire l'entretien ou de le nettoyer.

Lavez à la main avec de l'eau seulement. L'utilisation de produits chimiques de nettoyage pourrait endommager l'appareil.

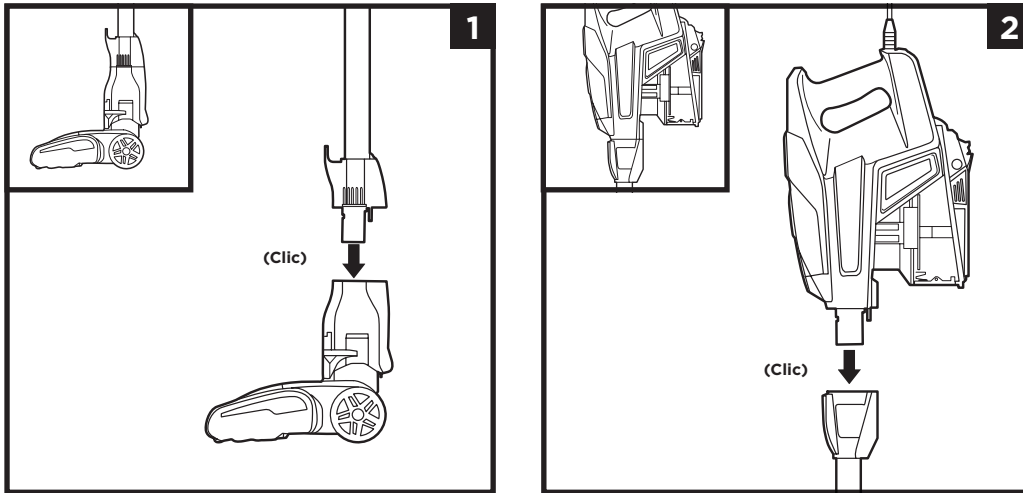
Pendant le nettoyage ou l'entretien, **NE COUPEZ AUCUNE** matière autre que des cheveux, des fibres ou de la ficelle enroulés autour de la brosse cylindrique rotative.

Laissez tous les filtres sécher complètement avant de les remettre dans l'aspirateur pour éviter que du liquide ne soit aspiré dans les composants électriques.

Après avoir effectué l'entretien de routine, assurez-vous que le récipient à poussière et tous les filtres sont en place.

Le cas échéant, fixez le cordon d'alimentation autour des deux crochets avant de ranger l'appareil.

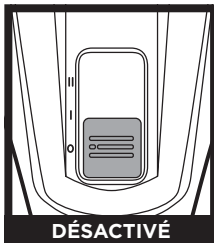
ASSEMBLAGE



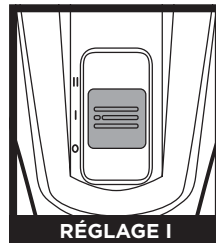
1. Insérez le **Tube** dans la **tête d'aspiration Zero-M[®]**.
2. Insérez **L'aspirateur Portatif** dans le tube.

Assurez-vous que tous les raccords sont bien enclenchés.

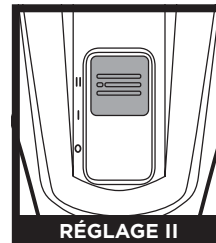
RÉGLAGES



Mettez l'interrupteur en position Off (arrêt) pour couper l'alimentation. Pour commencer à aspirer, faites glisser l'interrupteur au réglage approprié.



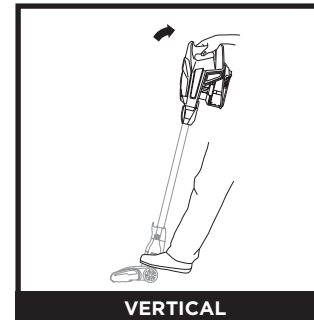
Planchers/carpettes
La brosse rotative tourne lentement pour nettoyer les planchers et les carpesettes délicates.



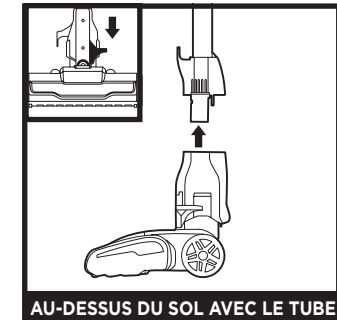
Tapis
Les brosses rotatives tournent plus rapidement pour aspirer les débris qui se trouvent sous la surface de votre tapis.

REMARQUE : Pour un nettoyage en profondeur conformément à la norme ASTM F 608 (saleté incrustée dans les tapis), veuillez utiliser le réglage II, soit le mode pour tapis.

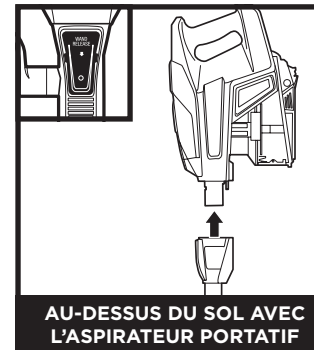
MODES DE NETTOYAGE



Pour nettoyer les planchers, placez un pied sur la tête d'aspiration et inclinez l'aspirateur portatif.



Placez l'aspirateur en position verticale. Appuyez sur la pédale située sur le côté gauche sous la tête d'aspiration et tirez sur le tube pour le débrancher. Idéal pour nettoyer les plinthes, les ventilateurs de plafond, les rebords de fenêtre, etc.



Appuyez sur le bouton **WAND RELEASE (dégagement du tube)** et soulevez l'aspirateur portatif pour le retirer du tube. Idéal pour nettoyer les escaliers et les meubles.

REMARQUE : Tous les accessoires peuvent être fixés au tube ou à l'aspirateur portatif.

QU'INDIQUENT LES VOYANTS LUMINEUX DE LA BROSSE ROTATIVE?

Vert fixe

La brosse rotative est en marche et fonctionne comme elle se doit.

Rouge fixe

Une obstruction a été détectée dans la zone de la brosse rotative. Éteignez l'aspirateur et retirez l'élément qui cause l'obstruction.

Aucune lumière : L'aspirateur est arrêté.

Rouge clignotant : L'aspirateur a surchauffé. Consultez la section de dépannage.

ACCESSOIRES DISPONIBLES

REMARQUE : Tous les accessoires ne sont pas fournis avec tous les appareils. Veuillez vous référer au guide de démarrage rapide inclus pour connaître la configuration de votre appareil. Pour acheter des accessoires additionnels, consultez le site sharkaccessories.com.

A Suceur plat de 12,5 cm (5 po)

Cet accessoire effilé de 12,5 cm (5 po) permet d'accéder aux coins, aux plinthes et aux endroits exigus et d'atteindre les plafonds.

B Suceur plat de 30 cm (12 po)

Nettoyez les endroits exigus et atteignez plinthes et plafonds avec ce suceur plat mince.

C Brosse à épousseter

Époussetez étagères, plinthes, cadres de portes et de fenêtres, et beaucoup plus. Tournez la tête de la brosse pour ajuster l'angle en fonction de la surface à nettoyer.

D Outil pour les poils d'animaux/à meubles

Idéal pour retirer les poils d'animaux et la charpie des meubles et d'autres surfaces rembourrées.

E Accessoire polyvalent pour les poils d'animaux de compagnie

Un seul accessoire convertible pour nettoyer les dégâts tenaces d'animaux de compagnie de deux manières : d'abord, une brosse aux soies douces pour nettoyer les débris tenaces.

Ensuite, retirez la brosse à soies pour exposer l'outil à meubles qui permet d'éliminer les poils d'animaux tenaces.

F Outil suceur plat avec brosse à épousseter

Deux accessoires pour le nettoyage en un. Le suceur plat vous permet de mieux atteindre des espaces restreints, et la brosse à épousseter peut nettoyer une multitude de surfaces.

G Mini brosse motorisée

Propulsée par un moteur, cette petite brosse élimine les poils d'animaux les plus collants et extrait saleté, poussière, squames et allergènes des oreillers, des meubles en tissu et des tapis.

H Tube d'extension pour l'espace sous les meubles

Utilisez cet accessoire réglable de 91,4 cm (36 po) pour nettoyer en dessous et à l'arrière des meubles et des appareils électroménagers difficiles à déplacer. Retournez l'accessoire de rallonge pour nettoyer en dessous des appareils électroménagers.

I Brosse à épousseter de précision

Tube flexible avec suceur plat muni à son extrémité d'une mini brosse à épousseter permettant de nettoyer autour d'objets délicats et dans des endroits difficiles d'accès comme dans les habitacles de voiture et sur les claviers d'ordinateur.

J Tuyau flexible

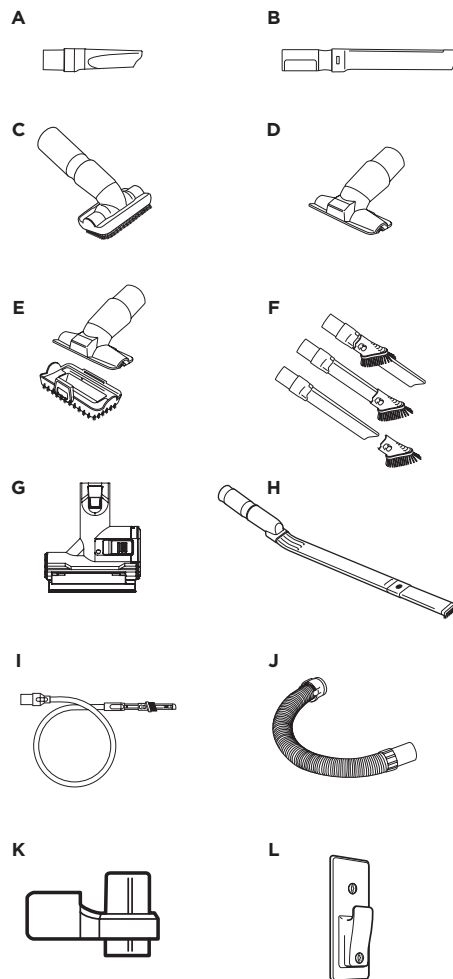
Étirez et pliez le tuyau de rallonge pour nettoyer autour des objets et atteindre les espaces difficiles d'accès. Fixez le suceur plat ou tout autre accessoire selon l'objet à nettoyer.

K Attache de rangement intégrée

L'attache amovible se fixe au tube de l'aspirateur. Peut contenir jusqu'à deux accessoires simultanément pendant le nettoyage ou pour l'entreposage.

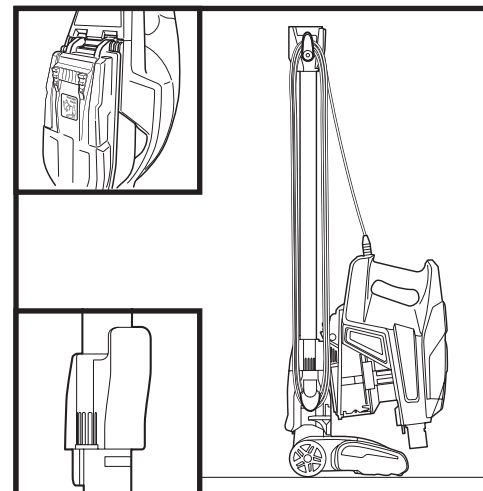
L Support mural

Installez le support pour accrocher votre aspirateur au mur pour un rangement commode. Comprend vis, chevilles et feuille d'instructions, avec modèle de montage facilitant l'installation.



RANGEMENT

CROCHET INTÉGRÉ



Appuyez sur le bouton WAND RELEASE (dégagement du tube) situé dans la partie supérieure de ce dernier pour le retirer de l'aspirateur portatif. Alignez le collecteur de la partie inférieure de l'aspirateur portatif avec le crochet de rangement situé sur le tube. Faites glisser l'aspirateur portatif de manière à ce que le collecteur pende du crochet de rangement. Enroulez le câble d'alimentation autour des deux crochets.

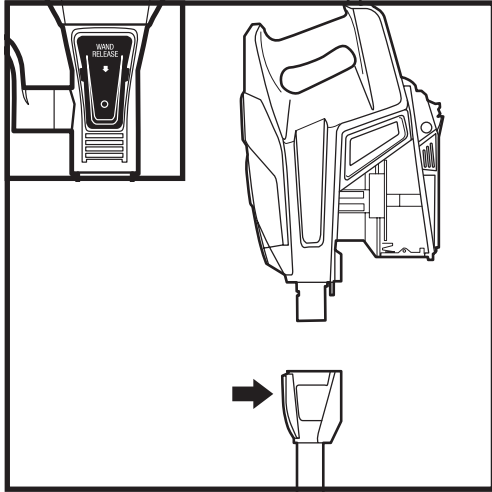
Remarque : Laissez du jeu à endroit où le fil se branche à l'aspirateur portatif.

ENTRETIEN

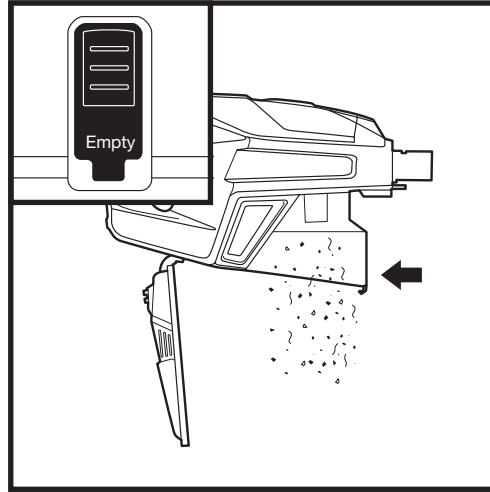
IMPORTANT : Débranchez l'aspirateur avant d'effectuer tout entretien.

VIDANGE DU RÉCIPIENT À POUSSIÈRE

Le récipient à poussière doit être vidé chaque fois que vous passez l'aspirateur et périodiquement pendant le nettoyage, lorsque les débris dans le récipient atteignent la ligne de remplissage MAX (maximum).

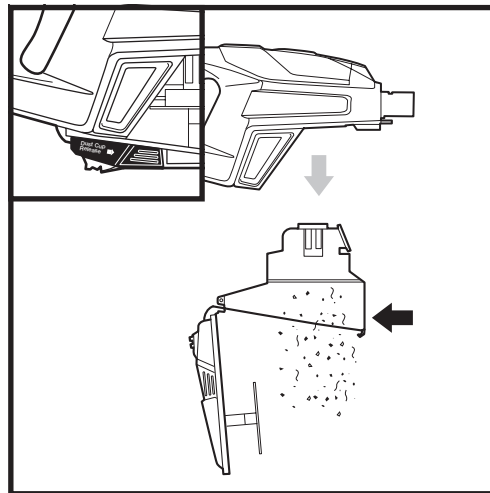


Appuyez sur le bouton WAND RELEASE (dégagement du tube) et soulevez l'aspirateur portable pour le retirer du tube.



Avec le récipient à poussière fixé à l'aspirateur portable, appuyez sur le bouton **Empty (vidange)** situé à l'avant du récipient.

OU



Pour retirer le récipient à poussière de l'aspirateur portable, appuyez simultanément sur les deux boutons **Dust Cup Release (déverrouillage du récipient à poussière)**, puis retirez le récipient. Appuyez sur le bouton Empty (vidange) situé à l'avant du récipient à poussière.

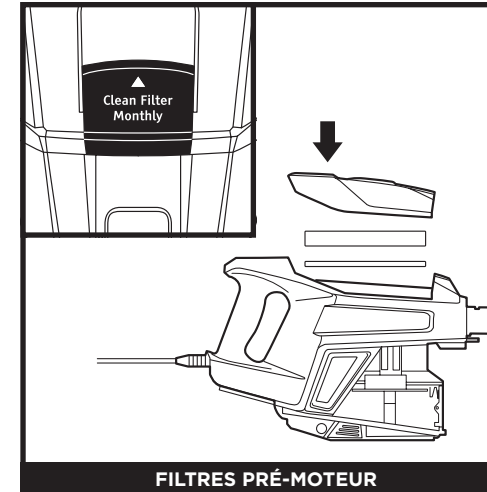
ENTRETIEN

IMPORTANT : Débranchez l'aspirateur avant d'effectuer tout entretien.

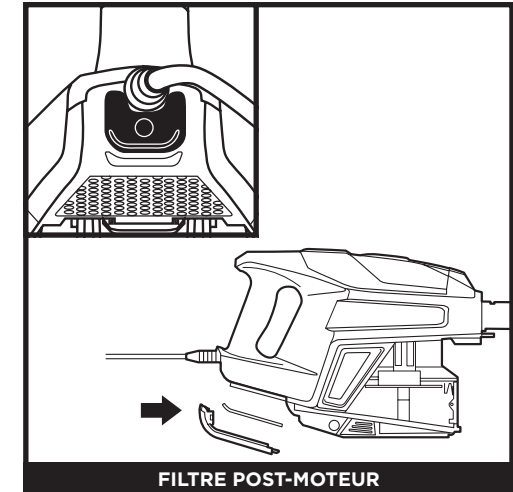
NETTOYAGE DES FILTRES

Effectuez régulièrement l'entretien de vos filtres afin que la puissance d'aspiration de votre appareil demeure optimale.

IMPORTANT : Pour éviter les dommages, rincez les filtres avec de l'eau **UNIQUEMENT**. **N'UTILISEZ PAS** de savon. Laissez les filtres sécher pendant au moins 24 heures avant de les remettre dans l'aspirateur pour éviter que de l'eau soit aspirée dans les composants électriques.



Nettoyez les filtres pré-moteur une fois par mois.



Nettoyez le filtre post-moteur tous les 9 mois.

FILTRES DE REMPLACEMENT

Trousse de remplacement du filtre pré-moteur
XPMFK320

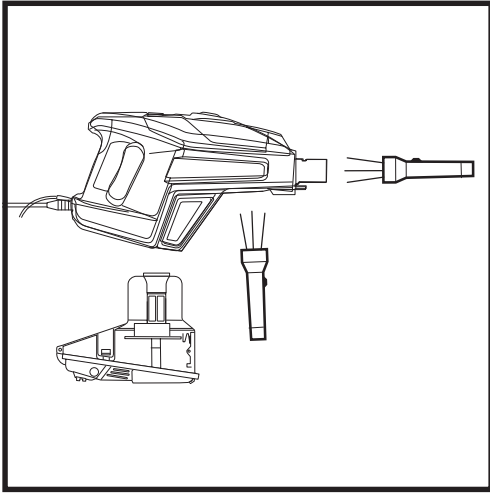
Filtre post-moteur de remplacement
1084FTV320

REMARQUE : Les filtres pré-moteur devraient être remplacés tous les 2 ans et demi. Le filtre post-moteur devrait être remplacé tous les 3 ans.

ENTRETIEN

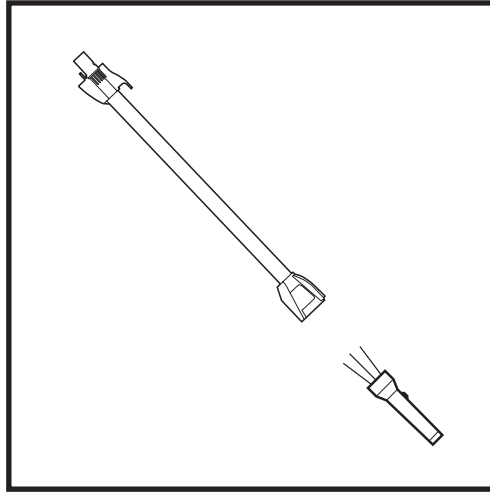
VÉRIFICATION DE LA PRÉSENCE D'OBSTRUCTIONS

VÉRIFIEZ L'ASPIRATEUR PORTATIF



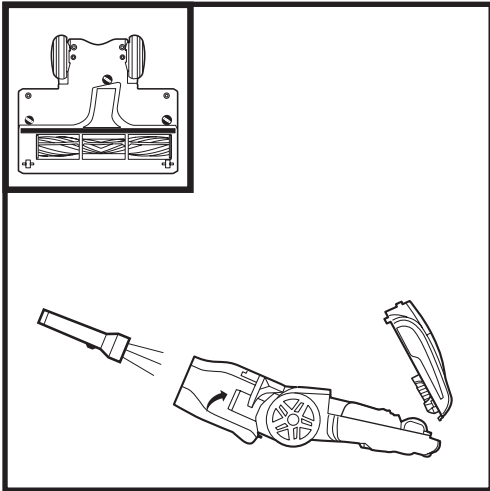
Retirez le tube de l'aspirateur portable et vérifiez toutes les entrées du récipient à poussière.

VÉRIFIEZ LE TUBE



Détachez le tube et vérifiez qu'il n'est pas obstrué.

VÉRIFIEZ LA TÊTE D'ASPIRATION



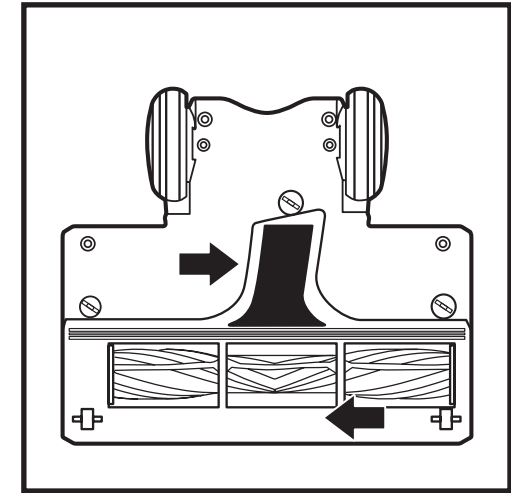
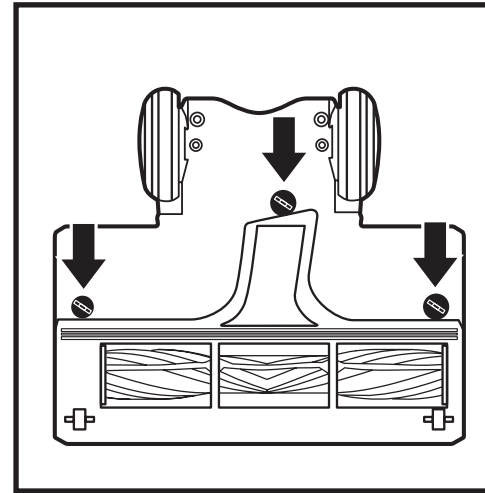
Détachez le tube, puis à l'aide d'une pièce de monnaie, ouvrez les trois verrous situés sous la tête d'aspiration. Retirez le couvercle, puis inclinez le col de la tête d'aspiration et vérifiez que l'ouverture n'est pas obstruée. Remplacez le couvercle en appuyant fermement sur tous les côtés avant de tourner les verrous dans le sens horaire pour fermer.

ENTRETIEN

ENTRETIEN DE LA TÊTE D'ASPIRATION

La technologie Zero-M® empêche les cheveux de s'enrouler autour de la brosse rotative pendant que vous passez l'aspirateur. Si vous passez l'aspirateur sur un objet dur ou tranchant ou que vous remarquez un changement de bruit pendant que vous passez l'aspirateur, vérifiez la présence d'obstructions ou d'objets coincés dans la brosse rotative.

REMARQUE : S'il y a des cheveux enroulés autour de la brosse rotative, continuez à nettoyer en utilisant le mode Tapis sur les planchers, les tapis à poils courts ou les carpettes. Cela permettra à la technologie ZERO-M d'éliminer les cheveux en les envoyant dans le récipient à poussière. Si certaines fibres restent enroulées autour de la brosse rotative après une utilisation continue, retirez soigneusement les débris de la brosse.



1. Au moyen d'une pièce de monnaie, faites tourner les verrous dans le sens antihoraire, puis soulevez le couvercle afin d'accéder à la **brosse rotative**.
2. Débloquez le conduit d'air.
3. Remplacez le couvercle en appuyant fermement sur tous les côtés, y compris à l'avant, avant de tourner les verrous dans le sens horaire pour fermer.

DÉPANNAGE

L'aspirateur ne ramasse pas la poussière. Aucune aspiration ou aspiration faible. (Consultez la section Entretien pour obtenir plus de renseignements.)

- Vérifiez les filtres pour voir si ceux-ci doivent être nettoyés. Suivez les instructions de rinçage et de séchage des filtres avant de les remettre dans l'aspirateur.
- Le récipient à poussière pourrait être plein; videz-le, le cas échéant.
- Vérifiez la tête d'aspiration pour vous assurer qu'elle n'est pas obstruée. Retirez toute obstruction, au besoin.
- Retirez les ficelles, fibres de tapis ou cheveux qui pourraient être enroulés autour de la brosse rotative.
- Assurez-vous que le couvercle sous la tête d'aspiration est verrouillé en appuyant fermement sur tous les côtés, y compris à l'avant, avant de faire pivoter les trois verrous gris dans le sens horaire pour le fermer.

L'aspirateur soulève les carpettes.

- La succion est puissante. Faites attention lorsque vous passez l'aspirateur sur les carpettes et les moquettes à bordure cousue délicatement.
- Éteignez l'appareil pour enlever la brosse rotative. Pour l'allumer à nouveau, faites glisser l'interrupteur au réglage I, planchers/carpettes petits.

La brosse rotative ne tourne pas.

- Si le voyant de la brosse rotative passe au rouge, éteignez-la immédiatement et débranchez l'aspirateur. Retirez le tube de la tête d'aspiration et éliminez toutes les obstructions. Remplacez le tube, branchez l'aspirateur et mettez-le sous tension.
- Si le voyant de la brosse rotative de la tête d'aspiration s'allume en vert, cela signifie que l'obstruction a été retirée. Si le témoin continue de s'allumer en rouge, communiquez avec le Service à la clientèle au 1 800 798-7398.

L'aspirateur s'éteint tout seul ou le voyant indicateur clignote en rouge.

Cet aspirateur est muni d'un thermostat de protection du moteur qui coupe l'alimentation lorsque celui-ci surchauffe. Dans cette éventualité, veuillez suivre les étapes suivantes pour redémarrer le thermostat de protection du moteur :

1. Éteignez l'aspirateur et débranchez-le.
2. Videz le récipient à poussière et nettoyez les filtres (consultez la section Entretien).
3. Vérifiez s'il y a des obstructions dans le tuyau, dans les accessoires et dans les orifices d'entrée.
4. Laissez refroidir l'appareil pendant au moins 45 minutes.
5. Branchez l'aspirateur et mettez-le en marche.

Si vous éprouvez toute autre difficulté, visitez sharkclean.com/support.

ENREGISTREZ VOTRE ACHAT



registeryourshark.com



Les avantages d'enregistrer votre produit et de créer un compte :

- Obtenez un support produit plus facile et plus rapide, et accédez aux informations de garantie
- Accédez aux instructions de dépannage et de maintenance produit
- Soyez parmi les premiers à connaître les promotions exclusives sur nos produits

CONSEIL : Le numéro de modèle est indiqué sur la plaque signalétique à l'arrière de l'appareil.

CONSEIL : Le code de la date est indiqué sur l'une des broches du cordon d'alimentation.

CONSIGNEZ LES RENSEIGNEMENTS CI-DESSOUS.

Numéro du modèle : _____

Code de date : _____

Date d'achat : _____

(conservez la facture)

Magasin où l'appareil a été acheté : _____

CARACTÉRISTIQUES TECHNIQUES

Tension électrique : 120 V, 60 Hz

Watts : 500 W

Puissance : 4,2 A

Shark NINJA

GARANTIE LIMITÉE CINQ (5) AN

La garantie limitée cinq (5) an s'applique aux achats effectués auprès de détaillants autorisés de **SharkNinja Operating LLC**. La garantie s'applique uniquement au premier propriétaire et au produit original et n'est pas transférable.

SharkNinja garantit ce produit contre toute défectuosité de matériau ou de main-d'œuvre pour une période cinq (5) an à compter de la date d'achat, dans le cadre d'un usage domestique normal et si le produit est entretenu conformément aux exigences décrites dans le guide de l'utilisateur, sujet aux conditions, aux exclusions et aux exceptions ci-dessous.

Qu'est-ce qui est couvert par cette garantie?

1. L'appareil d'origine et/ou les composants inusables considérés comme défectueux, à la seule discrétion de SharkNinja, seront réparés ou remplacés jusqu'à cinq (5) an à compter de la date d'achat initiale.
2. Dans le cas d'un remplacement de l'appareil, la garantie prendra fin six (6) mois après la date de réception de l'appareil de remplacement ou pendant le reste de la période de garantie existante, selon la période la plus longue. SharkNinja se réserve le droit de le remplacer par un appareil de valeur égale ou supérieure.

Qu'est-ce qui n'est pas couvert par cette garantie?

1. L'usure normale des pièces (comme les filtres en mousse, les filtres HEPA, les tampons, etc.) qui nécessitent un entretien et/ou un remplacement réguliers afin d'assurer le bon fonctionnement de votre appareil n'est pas couverte par cette garantie. Vous pouvez faire l'achat de pièces de rechange par l'entremise du site sharkaccessories.com.
2. La garantie ne s'applique pas aux appareils utilisés de façon abusive ou à des fins commerciales.
3. Les dommages causés par une mauvaise utilisation (comme aspirer de l'eau ou d'autres liquides), un abus, une négligence lors de la manipulation, un manquement à la l'entretien nécessaire (comme ne pas nettoyer les filtres), ou un dommage dû à une mauvaise manipulation pendant le transport.
4. Les dommages indirects et accessoires.
5. Les déficiences causées par des réparateurs non autorisés par SharkNinja. Ces déficiences incluent les dommages causés lors du processus d'expédition, de modification ou de réparation du produit SharkNinja (ou de l'une de ses pièces) lorsque la réparation est effectuée par un réparateur non autorisé par SharkNinja.
6. Les produits achetés, utilisés ou mis en fonction à l'extérieur de l'Amérique du Nord.

Comment obtenir du service

Si votre appareil ne fonctionne pas correctement lorsque vous l'utilisez normalement à domicile durant la période de garantie, visitez le sharkclean.com/support pour obtenir de l'information sur les soins et entretien du produit que vous pouvez effectuer vous-même. Nos spécialistes du service à la clientèle sont aussi disponibles au **1 800 798-7398** pour de l'assistance sur les produits et les options de garantie de service offertes, y compris la possibilité de passer à nos options de garantie de service VIP pour certaines catégories de produits.

SharkNinja assumera les frais de retour de l'appareil à nos sites par le consommateur en vue de la réparation ou du remplacement de l'appareil. Un montant de 24,95 \$ (sujet à changement) sera facturé lorsque SharkNinja expédiera l'appareil réparé ou remplacé.

Comment présenter une demande de service sous garantie

Veuillez noter que vous devez téléphoner au **1 800 798-7398** pour soumettre une réclamation au titre de la garantie. Vous aurez besoin du reçu comme preuve d'achat. Un spécialiste du service à la clientèle vous fournira les directives d'emballage et de retour.

De quelle manière les lois d'État s'appliquent-elles?

Cette garantie vous accorde des droits spécifiques légaux et vous pouvez aussi bénéficier d'autres droits qui varient d'une province ou d'un État à l'autre. Certains États américains ou certaines provinces canadiennes n'acceptent pas l'exclusion ou la limitation de dommages accessoires ou indirects, ce qui fait que cette disposition peut ne pas s'appliquer à votre cas.

REMARQUES

REMARQUES

INSTRUCCIONES IMPORTANTES DE SEGURIDAD

PARA USO DOMÉSTICO ÚNICAMENTE

Para reducir el riesgo de descarga eléctrica, esta aspiradora cuenta con un enchufe polarizado (una terminal es más ancha que la otra). Como característica de seguridad, este enchufe se conecta en un tomacorriente polarizado solo de una forma. Si el enchufe no entra por completo en el tomacorriente, invierta el enchufe. Si aun así no encaja, comuníquese con un electricista calificado. **NO lo fuerce en el tomacorriente ni trate de modificarlo para que encaje.**

⚠ ADVERTENCIA

PARA REDUCIR EL RIESGO DE INCENDIO, DESCARGA ELÉCTRICA O LESIÓN:

ADVERTENCIAS GENERALES

La aspiradora puede estar compuesta por una boquilla motorizada, un vástago, una manguera o un módulo aspirador. Este dispositivo contiene conexiones eléctricas, cables eléctricos y piezas móviles que presentan un riesgo potencial para el usuario.

Use únicamente piezas de repuesto idénticas.

Respete y siga atentamente las instrucciones a continuación para evitar un uso incorrecto del aparato.

NO use la aspiradora para ningún propósito que no se encuentre descrito en este manual.

Antes de su uso, inspeccione con cuidado todas las piezas para verificar si presentan daños. **NO** use la aspiradora si alguna pieza está dañada.

NO se recomienda el uso de cables de extensión.

Esta aspiradora no contiene piezas reparables.

ADVERTENCIAS DE USO

NO permita que los niños usen el aparato. Se necesita una supervisión estricta cuando se utiliza el aparato cerca de los niños. Este aparato no es un juguete.

Apague siempre la aspiradora antes de conectar o desconectar alguna boquilla motorizada u otro accesorio.

NO manipule el enchufe ni la aspiradora con las manos mojadas.

NO use la aspiradora sin los filtros puestos.

Use únicamente filtros y accesorios de la marca Shark®. Si no lo hace, se anulará la garantía.

NO dañe el cable de alimentación:

a) NO tire de la aspiradora ni la transporte por el cable, y no use el cable como mango.

b) NO desenchufe la aspiradora tirando del cable. Agarre el enchufe, no el cable.

c) NO pase la aspiradora por encima del cable de alimentación, cierre una puerta por la que pasa el cable, tire del cable en esquinas filosas ni deje el cable cerca de superficies calientes.

NO coloque ningún objeto en la boquilla ni en las aberturas de los accesorios. **NO** utilice la aspiradora si tiene alguna abertura obstruida; manténgala libre de polvo, pelusas, pelos y cualquier cosa que pueda disminuir el flujo de aire.

NO use la aspiradora si el flujo de aire por la boquilla o los accesorios se encuentra restringido. Si se obstruyen los pasos de aire o la boquilla para piso motorizada, apague la aspiradora y desenchúfela del tomacorriente. Retire todas las obstrucciones antes de volver a enchufar y encender la unidad.

CONSERVE ESTAS INSTRUCCIONES

LEA TODAS LAS INSTRUCCIONES ANTES DE USAR

Mantenga la boquilla y todas las aberturas de la aspiradora alejadas del cabello, el rostro, los dedos, los pies descalzos o la ropa suelta.

NO use si la aspiradora no está funcionando como debiera, o se ha caído, dañado, dejado al aire libre o caído al agua.

Tenga extremo cuidado cuando limpie en escaleras.

NO deje la aspiradora sin supervisión cuando esté enchufada.

Al estar encendida, mantenga la aspiradora en movimiento sobre la alfombra en todo momento para evitar dañar las fibras de la alfombra.

NO coloque la aspiradora sobre superficies inestables como sillas o mesas.

Es posible que su aspiradora Shark® no esté diseñada para mantenerse erguida por sí sola. Cuando deje de utilizarla por un momento, quizá deba apoyarla contra un mueble o una pared, o bien recostarla en el piso. El uso de la aspiradora en un lugar en el que la unidad no tenga estabilidad puede dar lugar a una lesión personal.

NO use la aspiradora para recoger:

a) Líquidos.

b) Objetos grandes.

c) Objetos duros o filosos (vidrio, clavos, tornillos o monedas).

d) Cantidades grandes de polvo (polvo de yeso, cenizas de chimenea ni brasas). NO use la aspiradora como accesorio de una herramienta eléctrica para recolectar polvo.

e) Objetos humeantes o ardientes (carbones calientes, colillas de cigarrillo, fósforos).

f) Materiales inflamables o combustibles (líquido de encendedor, gasolina, queroseno).

g) Materiales tóxicos (blanqueador a base de cloro, amoníaco, limpiador de drenaje).

NO use la aspiradora en las áreas siguientes:

a) Áreas poco iluminadas.

b) Superficies húmedas o mojadas.

c) Áreas al aire libre.

d) Espacios cerrados que puedan contener vapores o gases explosivos o tóxicos (líquido de encendedor, gasolina, queroseno, pintura, solventes de pintura, sustancias antipolillas o polvo inflamable).

Apague todos los controles antes de enchufar o desenchufar la aspiradora.

Desenchufe la aspiradora del tomacorriente cuando no la use y antes de realizar cualquier mantenimiento o limpieza.

Lave la aspiradora a mano con agua solamente. Lavar la unidad con sustancias químicas limpiadoras podría dañarla.

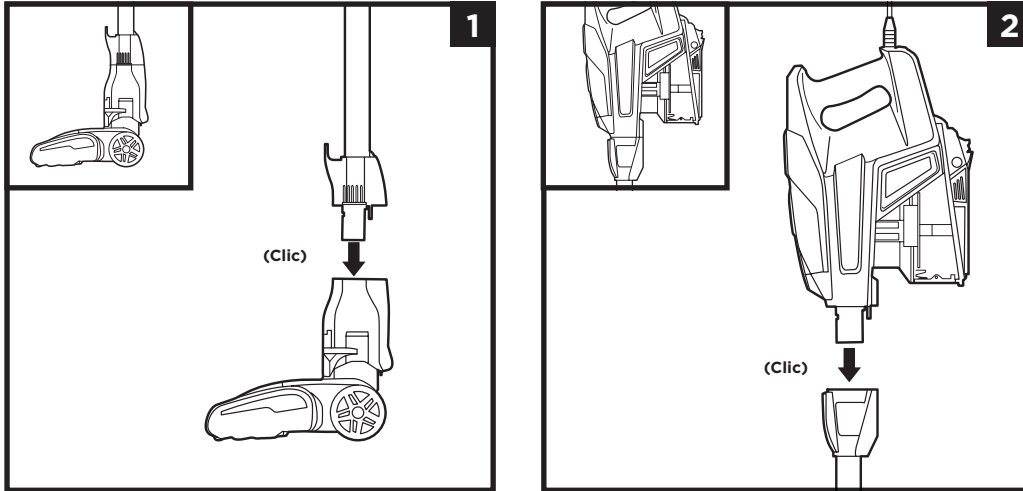
Al limpiar el aparato o realizarle mantenimiento de rutina, **NO** corte nada que no sean cabellos, fibras o hilos enredados en el cepillo rotatorio.

Deje secar por completo todos los filtros al aire antes de volver a colocarlos en la aspiradora a fin de evitar que penetre líquido en las piezas eléctricas.

Asegúrese de que el recipiente para el polvo y todos los filtros estén puestos después del mantenimiento de rutina.

Fije el cable de alimentación alrededor de los dos ganchos para cable durante el almacenamiento, si estos se proporcionan.

MONTAJE



1. Inserte el **Vástago** en el **cabezal limpiador Zero-M®**.
2. Inserte la **Aspiradora Portátil** en el vástago.

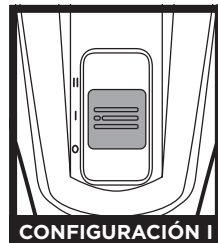
Asegúrese de que todas las conexiones estén trabadas de manera segura en su lugar.

AJUSTES



APAGADO

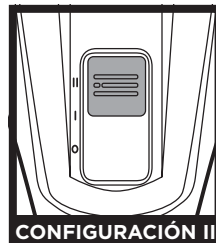
Deslice el interruptor hasta la parte inferior para apagar la unidad. Para empezar a aspirar, deslice el interruptor hasta el ajuste correspondiente.



CONFIGURACIÓN I

Piso descubierto/tapetes pequeños

El cepillo giratorio rota despacio para limpiar los pisos descubiertos y los tapetes pequeños delicados.



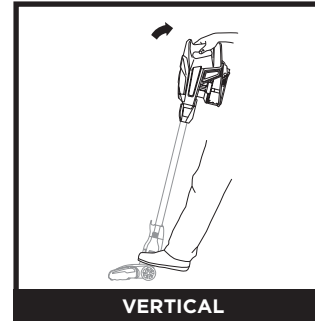
CONFIGURACIÓN II

Alfombra

El cepillo giratorio rota más rápido para recolectar los residuos que se encuentran debajo de la superficie de la alfombra.

NOTA: Para una limpieza profunda de acuerdo con el método ASTM F 608 (polvo metido en las alfombras), utilice la configuración II, alfombra.

MODOS DE LIMPIEZA



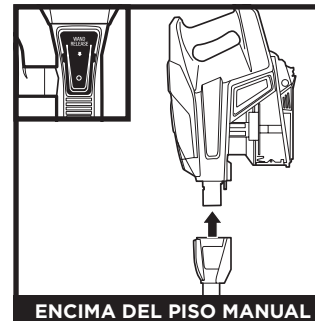
VERTICAL

Para limpiar pisos, coloque el pie en el cabezal limpiador e incline la aspiradora portátil hacia atrás.



ENCIMA DEL PISO CON VÁSTAGO

Coloque la aspiradora en posición vertical. Presione el pedal que está en la parte inferior izquierda del cabezal limpiador y jale el vástago hacia arriba para desconectarlo. Excelente para limpiar zócalos, ventiladores de techo, alféizares de ventanas, etc.



ENCIMA DEL PISO MANUAL

Presione el botón **WAND RELEASE (liberación del vástago)** y retire la aspiradora portátil del vástago. Excelente para limpiar escaleras y muebles.

NOTA: todos los accesorios se acoplan al vástago o a la aspiradora portátil.

¿QUÉ SIGNIFICA LA LUZ INDICADORA DEL CEPILLO GIRATORIO?

Verde continuo

El cepillo giratorio está encendido y funciona correctamente.

Rojo continuo

Hay un atasco en el área del cepillo giratorio. Apague la aspiradora y retire la obstrucción.

Sin luz: La aspiradora está apagada.

Rojo intermitente: La aspiradora se ha sobrecalentado. Consulte la sección de solución de problemas.

ACCESORIOS DISPONIBLES

NOTA: No se incluyen todos los accesorios en todas las unidades. Consulte la Guía de inicio rápido adjunta para conocer la configuración de su unidad. Para adquirir más accesorios, visite sharkaccessories.com.

A Herramienta para grietas de 12,7 cm (5 in)

Esta herramienta delgada de 12,7 cm (5 in) puede acceder a rincones, zócalos, espacios reducidos y techos.

B Herramienta para grietas de 30 cm (12 in)

Limpie espacios reducidos o alcance zócalos y techos gracias a esta delgada herramienta para grietas.

C Cepillo para polvo

Limpie estantes, zócalos, marcos de ventanas y puertas y mucho más. Gire el cabezal del cepillo para ajustar el ángulo a la superficie que desea limpiar.

D Herramienta para tapizado/pelo de mascotas

Es perfecta para recolectar el pelo de las mascotas y las pelusas de los muebles y de otras superficies tapizadas.

E Accesorio múltiple para pelo de mascotas

Una herramienta convertible para limpiar la suciedad difícil que deja su mascota de dos maneras: en primer lugar, un cepillo de cerdas duras para limpiar la suciedad adherida. Luego retire las cerdas para utilizar una herramienta para tapizados que sirve para eliminar pelos de mascotas difíciles de quitar.

F Herramienta para grietas/cepillo para polvo

Dos herramientas de limpieza en una. La herramienta para grietas le proporciona un alcance de limpieza extendido para los espacios pequeños, mientras que el cepillo para polvo limpia diversas superficies.

G Cepillo pequeño motorizado

Alimentado por un motor, este pequeño cepillo remueve el pelo de mascota más aferrado y quita tierra, polvo, caspa y alérgenos de lo más profundo de las almohadas, tapizados y alfombras.

H Vástago para limpiar debajo de electrodomésticos

Limpie debajo y detrás de los electrodomésticos y los muebles difíciles de mover con esta herramienta ajustable de 91,4 cm (36 in). Dele vuelta a la pieza extensible para limpiar el lado inferior de los electrodomésticos.

I Desempolvador de precisión

Tubo flexible con microherramienta para grietas con cepillo para polvo en el extremo para limpiar alrededor de objetos delicados y en lugares difíciles de alcanzar, como el interior del automóvil y los teclados de computadoras.

J Manguera flexible

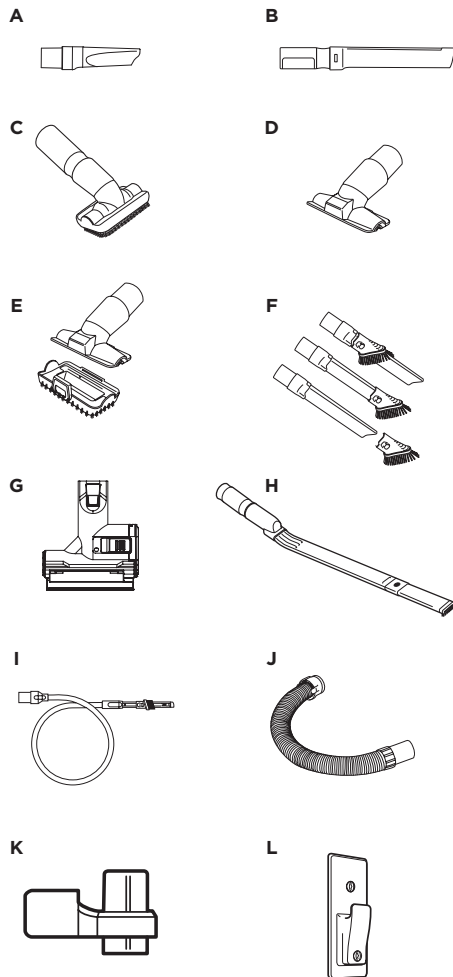
Estire y doble esta manguera extensible para limpiar alrededor de los objetos y llegar a espacios difíciles de alcanzar. Coloque la herramienta para grietas u otros accesorios según lo que vaya a limpiar.

K Broche de almacenamiento incorporado

El broche extraíble se acopla al vástago de la aspiradora. Puede albergar hasta dos accesorios a la vez durante la limpieza o el almacenamiento.

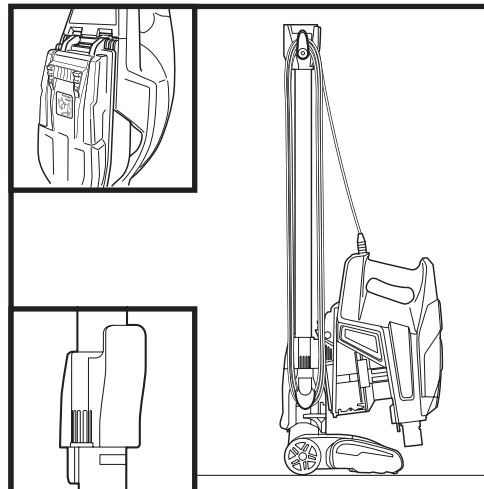
L Montaje para pared

Instale el montaje a fin de colgar su aspiradora en la pared para un almacenamiento cómodo. Incluye tornillos, tarugos y hoja de instrucciones con una plantilla de montaje para una instalación sencilla.



ALMACENAMIENTO

GANCHO INCORPORADO



Presione el botón WAND RELEASE (liberación del vástago) que se encuentra en la parte superior del vástago para liberar la aspiradora portátil. Alinee el enganche que se encuentra en la parte inferior de la aspiradora portátil con el gancho de almacenamiento en el vástago. Deslice la aspiradora portátil hacia abajo para que el enganche cuelgue del gancho de almacenamiento. Enrolle el cable alrededor de los dos ganchos para el cable.

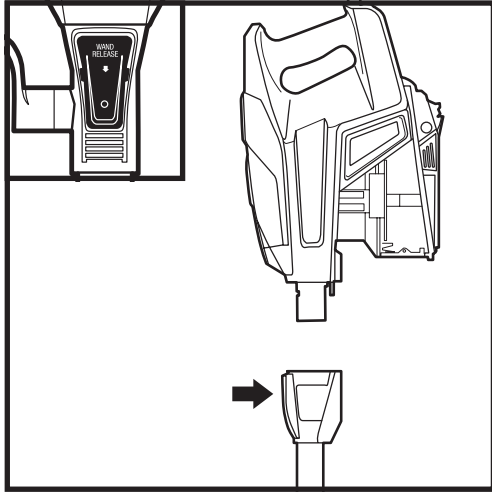
Nota: Asegúrese de que el cable esté un poco suelto donde se conecta con la aspiradora portátil.

MANTENIMIENTO

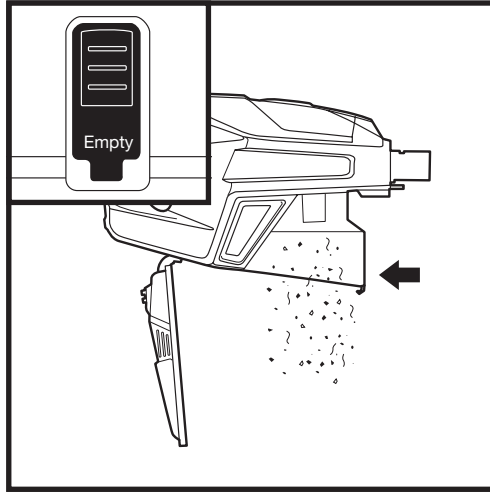
IMPORTANTE: Desenchufe la aspiradora antes de realizar cualquier mantenimiento.

VACIADO DEL RECIPIENTE PARA EL POLVO

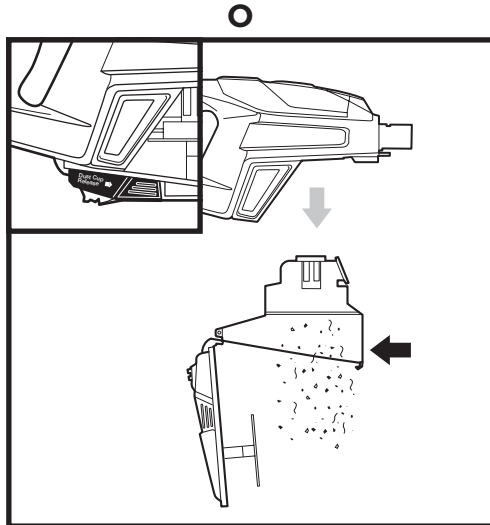
El recipiente para el polvo debe ser vaciado cada vez que utilice la aspiradora y de manera periódica durante la limpieza, cuando la basura dentro del recipiente para el polvo alcance la línea de llenado MAX (máximo).



Presione el botón WAND RELEASE (liberación del vástago) y retire la aspiradora portátil del vástago.



Con el recipiente para el polvo acoplado a la aspiradora portátil, presione el botón **Empty (vaciar)** al frente del recipiente para el polvo.



Para retirar el recipiente para el polvo de la aspiradora portátil, presione al mismo tiempo los dos botones **Dust Cup Release (liberación del recipiente para el polvo)** y jale el recipiente. Presione el botón **Empty (vaciar)** al frente del recipiente para el polvo.

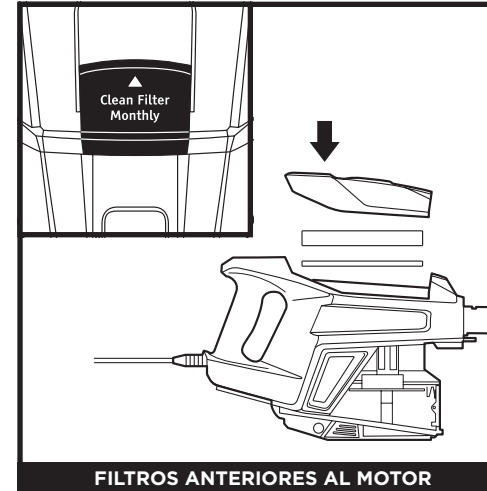
MANTENIMIENTO

IMPORTANTE: desenchufe la aspiradora antes de realizar cualquier mantenimiento.

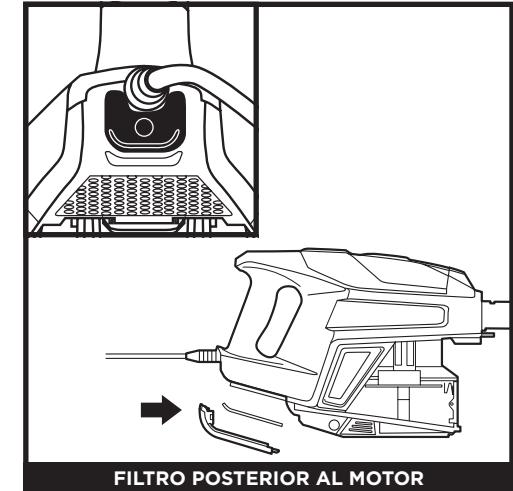
CÓMO LIMPIAR LOS FILTROS

Realice un mantenimiento regular de sus filtros para mantener una óptima potencia de succión de su aspiradora.

IMPORTANTE: para evitar daños, lave los filtros **SOLO** con agua. **NO** use jabón. Deje secar los filtros al aire durante al menos 24 horas antes de reinstalarlos a fin de evitar que penetre líquido en las piezas eléctricas.



Lave los filtros anteriores al motor una vez al mes.



Lave el filtro posterior al motor cada 9 meses.

FILTROS DE REEMPLAZO

Kit de reemplazo de filtro anterior al motor
XPMFK320

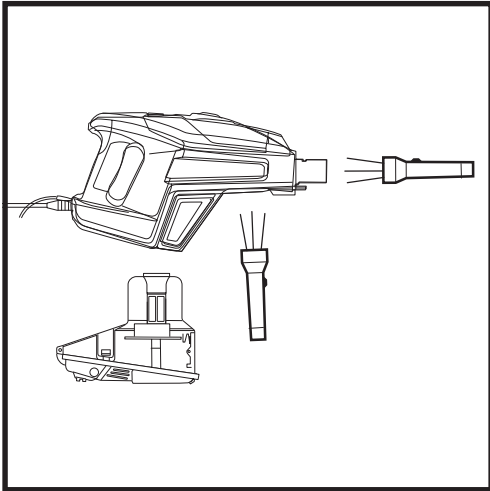
Kit de reemplazo de filtro posterior al motor
1084FTV320

NOTA: Los filtros anteriores al motor se deben reemplazar cada dos años y medio. El filtro posterior al motor se debe reemplazar cada tres años.

MANTENIMIENTO

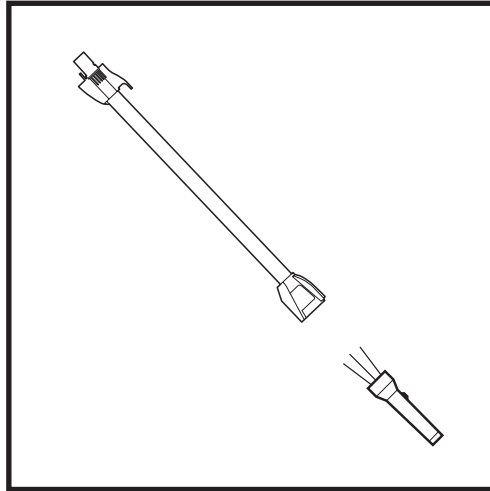
CONTROL DE OBSTRUCCIONES

COMPRUEBE LA ASPIRADORA PORTÁTIL



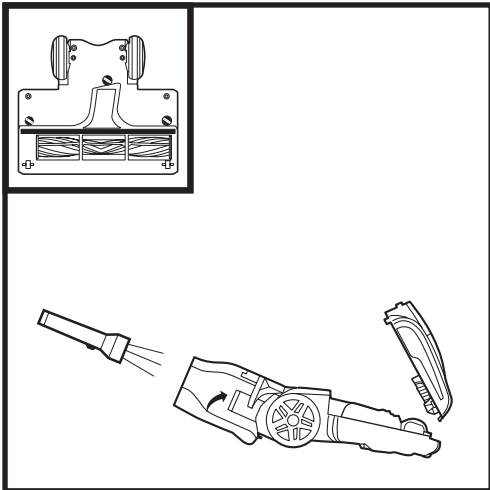
Retire el vástago de la aspiradora portátil y controle todas las aberturas de entrada del recipiente para el polvo.

COMPRUEBE EL VÁSTAGO



Separe el vástago y compruebe que no haya obstrucciones.

COMPRUEBE EL CABEZAL LIMPIADOR



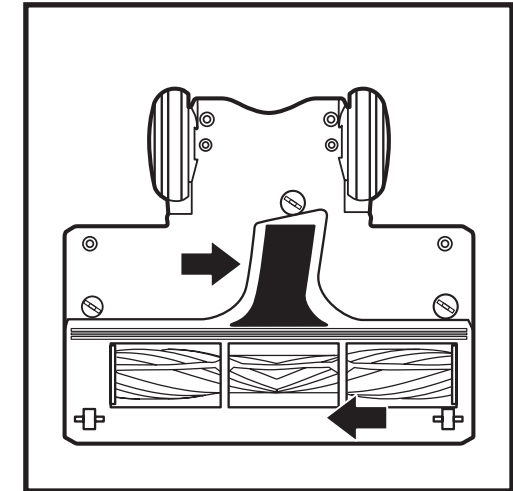
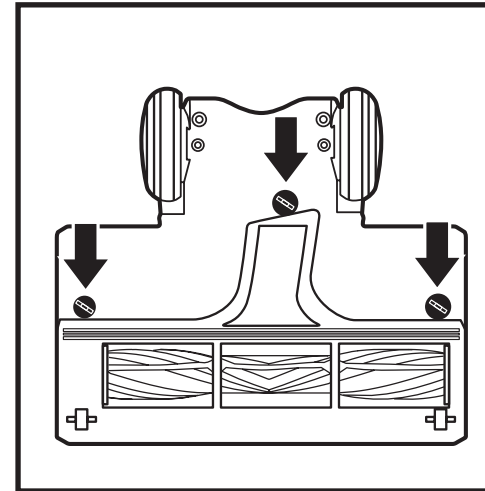
Separe el vástago, luego utilice el borde de una moneda para abrir los tres seguros que se encuentran en la parte inferior del cabezal limpiador. Quite la tapa, luego incline el cuello del cabezal limpiador hacia atrás y compruebe que no haya obstrucciones en la abertura. Vuelva a colocar la tapa, presionando firmemente sobre todos los lados antes de girar los seguros en el sentido de las manecillas del reloj para cerrarlos.

MANTENIMIENTO

MANTENIMIENTO DEL CABEZAL LIMPIADOR

La tecnología Zero-M® elimina activamente el pelo que se engancha en el cepillo giratorio mientras aspira. Si pasa sobre un objeto duro o filoso o escucha un ruido extraño mientras aspira, compruebe que no haya obstrucciones ni objetos enganchados en el cepillo giratorio.

NOTA: Si cualquier pelo se enrolla en el cepillo giratorio, siga limpiando con el modo para alfombras sobre una superficie de piso descubierto, una alfombra de pelo corto o tapete pequeño. Esto permitirá que la tecnología ZERO-M elimine el pelo enrollado y lo envíe al recipiente para el polvo. Si quedan enrolladas algunas fibras en el cepillo giratorio después de un uso continuo, quite cuidadosamente los restos del cepillo giratorio.



1. Usando una moneda, gire los cierres en sentido contrario a las manecillas del reloj para abrirlos, luego levante la tapa para acceder al **cepillo giratorio**.
2. Limpie cualquier obstrucción de la vía de aire.
3. Vuelva a colocar la tapa, presionando firmemente sobre todos los lados, incluso a lo largo de la parte frontal, antes de girar los seguros en el sentido de las manecillas del reloj para cerrarlos.

SOLUCIÓN DE PROBLEMAS

La aspiradora no recoge la basura. No hay succión ni succión leve.
(Para obtener más información, consulte la sección Mantenimiento).

- Revise los filtros para verificar si necesitan limpieza. Siga las instrucciones para enjuagar y secar al aire por completo los filtros antes de volver a colocarlos en la aspiradora.
- El recipiente para el polvo puede estar lleno; vacíe el recipiente para el polvo.
- Compruebe que el cabezal limpiador no esté obstruido; despeje las obstrucciones si fuera necesario.
- Elimine cualquier hilo, fibra de alfombra o cabello que pudiera estar enredado en el cepillo giratorio.
- Asegúrese de que la tapa en el reverso del cabezal limpiador esté trabada en su lugar presionando firmemente sobre todos los lados, incluyendo a lo largo de la parte frontal, antes de girar en sentido horario los 3 seguros de color gris para cerrarlos.

La aspiradora levanta los tapetes pequeños.

- La succión es potente. Tenga cuidado cuando pase la aspiradora por tapetes pequeños o alfombras con bordes de costuras delicadas.
- Apague la unidad para desconectar el cepillo giratorio. Para volver a encender, deslice el interruptor a la configuración I, Piso descubierto/tapetes pequeños.

El cepillo giratorio no gira.

- Si la luz indicadora del cepillo giratorio se torna roja, inmediatamente apague la aspiradora y desenchúfela. Desconecte el vástago del cabezal limpiador y remueva cualquier obstrucción. Reconecte el vástago, enchufe la aspiradora y enciéndala.
- Si la luz indicadora del cepillo giratorio en el cabezal limpiador es verde, es señal de que la obstrucción se ha solucionado correctamente. Si la luz sigue roja, comuníquese con el servicio al cliente llamando al 1-800-798-7398.

La aspiradora se apaga sola o la luz indicadora titila en rojo.

Esta aspiradora cuenta con un termostato que protege el motor que hace que la unidad se apague en caso de sobrecalentamiento. Si esto sucediera, lleve a cabo los siguientes pasos para reiniciar el termostato que protege el motor:

1. Apague la aspiradora y desenchúfela.
2. Vacíe el recipiente para el polvo y limpie los filtros (consulte la sección Mantenimiento).
3. Revise que no haya obstrucciones en la manguera, en los accesorios y en las aberturas de entrada.
4. Deje que la unidad se enfríe durante 45 minutos como mínimo.
5. Enchufe y encienda la aspiradora.

Para el resto de los problemas, visite sharkclean.com/support.

REGISTRE SU COMPRA



registeryourshark.com



Beneficios de registrar su producto y crear una cuenta:

- Obtenga un servicio de asistencia para el producto más fácil y rápido, así como acceso a información de la garantía
- Acceda a instrucciones para la solución de problemas y cuidado de su producto
- Sea uno de los primeros en recibir promociones de productos exclusivos

CONSEJO: El número de modelo se encuentra en la etiqueta que indica las características, detrás del recipiente para el polvo.

CONSEJO: El código de fecha se ubica en una de las clavijas del enchufe del cable de alimentación.

GUARDE ESTA INFORMACIÓN

Número de modelo: _____

Código de fecha: _____

Fecha de compra: _____
(conservar el recibo)

Tienda de compra: _____

ESPECIFICACIONES TÉCNICAS

Voltaje: 120 V, 60 Hz

Vatios: 500 W

Amperaje: 4,2 A

Shark NINJA

GARANTÍA LIMITADA CINCO (5) AÑO

La garantía limitada cinco (5) años se aplica a las compras realizadas a los vendedores minoristas autorizados de **SharkNinja Operating LLC**. La cobertura de garantía se aplica solo al propietario y al producto originales, y no puede transferirse.

SharkNinja garantiza que la unidad estará libre de defectos materiales y de mano de obra durante un período cinco (5) años desde la fecha de compra, siempre y cuando se use en condiciones domésticas normales y se efectúe su mantenimiento de acuerdo con los requisitos descritos en este manual del propietario, sujeto a las siguientes condiciones y exclusiones:

¿Qué cubre esta garantía?

1. La unidad original o los componentes que no se gastan que se consideren defectuosos, a criterio exclusivo de SharkNinja, serán reparados o reemplazados un período máximo cinco (5) años a partir de la fecha de compra original.
2. En el caso de que se entregue una unidad de reemplazo, la cobertura de la garantía termina seis (6) meses después de la fecha de recepción de la unidad de reemplazo o cuando termine el plazo restante de la garantía vigente, lo que sea posterior. SharkNinja se reserva el derecho a reemplazar la unidad con una de igual o mayor valor.

¿Qué no cubre esta garantía?

1. Esta garantía no cubre el desgaste normal de las piezas que se gastan (como los filtros de espuma, los filtros HEPA, las almohadillas, etc.), que requieren mantenimiento o reemplazo regular para asegurar el funcionamiento adecuado de la unidad. Se pueden comprar piezas de repuesto disponibles en sharkaccessories.com.
2. Cualquier unidad que haya sido alterada o usada con fines comerciales.
3. Daños causados por el uso incorrecto (p. ej.: aspirar agua u otros líquidos), abuso, manipulación negligente, falta de mantenimiento necesario (p. ej.: no limpiar los filtros) o daños debidos al mal trato durante el transporte.
4. Daños emergentes o incidentales.
5. Defectos causados por personas que hacen reparaciones y no estén autorizadas por SharkNinja. Estos defectos incluyen daños causados en el proceso de envío, modificación o reparación del producto SharkNinja (o cualquiera de sus piezas) cuando la reparación es realizada por una persona que no está autorizada por SharkNinja.
6. Productos comprados, usados u operados fuera de Norteamérica.

Cómo solicitar el servicio técnico

Si su aparato no funciona adecuadamente cuando se usa en condiciones domésticas normales dentro del período de garantía, visite sharkclean.com/support para obtener instrucciones de cuidado y mantenimiento del producto que usted mismo pueda llevar a cabo. Nuestros especialistas de servicio al cliente también están a su disposición si llama al **1-800-798-7398** para asistirlo con todas las opciones de servicio de garantía y soporte del producto, incluida la posibilidad de mejorar su garantía a nuestras opciones de servicio de garantía VIP para categorías de productos exclusivos.

SharkNinja cubrirá el costo de envío de la unidad por parte del cliente para ser reparada o reemplazada. Se cobrará una tarifa de 24,95 USD (sujeto a cambios) cuando SharkNinja envíe la unidad reparada o el reemplazo.

Cómo iniciar un reclamo de garantía

Debe llamar al **1-800-798-7398** para iniciar un reclamo de garantía. Necesitará el recibo como prueba de compra. Un especialista de servicio al cliente le proporcionará instrucciones para la devolución y el embalaje.

Cómo se aplica la ley estatal

Esta garantía le otorga derechos legales específicos, y usted también puede tener otros derechos que varían según el estado. Algunos estados no permiten la exclusión o la limitación de los daños incidentales o emergentes, por lo que lo anterior puede no aplicarse en su caso.

PLEASE READ CAREFULLY AND KEEP FOR FUTURE REFERENCE.

This Owner's Guide is designed to help you get a complete understanding of your new Shark® Rocket® Corded Ultra-Light Vacuum.

SharkNinja Operating LLC
US: Needham, MA 02494
CAN: Ville St-Laurent, QC H4S 1A7
1-800-798-7398
sharkclean.com

Illustrations may differ from actual product. We are constantly striving to improve our products; therefore the specifications contained herein are subject to change without notice.

For SharkNinja U.S. Patent information, visit sharkninja.com/uspatents

VEUILLEZ LIRE ATTENTIVEMENT LE PRÉSENT MODE D'EMPLOI ET LE CONSERVER À TITRE INFORMATIF.

Ce guide de l'utilisateur a été conçu pour vous aider à acquérir une compréhension approfondie de votre nouvel aspirateur ultra léger avec fil Shark Rocket.

SharkNinja Operating LLC
États-Unis : Needham, MA 02494
Canada : Saint-Laurent (QC) H4S 1A7
1 800 798-7398
sharkclean.com

Les illustrations peuvent différer du produit réel. Nous tentons constamment d'améliorer nos produits; par conséquent, les caractéristiques indiquées dans le présent guide peuvent être modifiées sans préavis.

Pour obtenir de l'information sur les brevets de SharkNinja aux É.-U., visitez sharkninja.com/uspatents

LEA ESTAS INSTRUCCIONES DETENIDAMENTE Y CONSÉRVELAS PARA REFERENCIA FUTURA.

Este Manual del propietario está diseñado para ayudarlo a comprender en profundidad su nueva aspiradora ultraliviana con cable Shark Rocket

SharkNinja Operating LLC
EE. UU.: Needham, MA 02494
CAN: Ville St-Laurent, QC H4S 1A7
1-800-798-7398
sharkclean.com

Las ilustraciones pueden diferir del producto real. Nos esforzamos constantemente por mejorar nuestros productos, por lo que las especificaciones que se incluyen en el presente pueden cambiar sin previo aviso.

Si desea información sobre las patentes de SharkNinja en los EE. UU., visite sharkninja.com/uspatents

© 2019 SharkNinja Operating LLC. ROCKET, ZERO-M, and SHARK are registered trademarks of SharkNinja Operating LLC. ZS350_Series_IB_E_F_S_MP_REV_Mv8
PRINTED IN CHINA

© 2019 SharkNinja Operating LLC. ROCKET, ZERO-M, et SHARK sont des marques déposées de SharkNinja Operating LLC. ZS350_Series_IB_E_F_S_MP_REV_Mv8
IMPRIMÉ EN CHINE

© 2019 SharkNinja Operating LLC. ROCKET, ZERO-M, y SHARK son marcas comerciales registradas de SharkNinja Operating LLC.
ZS350_Series_IB_E_F_S_MP_REV_Mv8
IMPRESO EN CHINA



@sharkcleaning