

# **Shark** VERTEX™

**DuoClean® PowerFins™  
Powered Lift-Away™  
with Self-Cleaning Brushroll  
Upright Vacuum**

**Aspirateur vertical DuoClean®  
PowerFins™ Powered Lift-Away™  
avec brosse rotative autonettoyante**

AZ2000 Series • Séries

**OWNER'S GUIDE  
GUIDE DE L'UTILISATEUR**

---

**duo** clean™ **POWERFINS™**



# IMPORTANT SAFETY INSTRUCTIONS

FOR HOUSEHOLD USE ONLY

## **⚠** WARNING

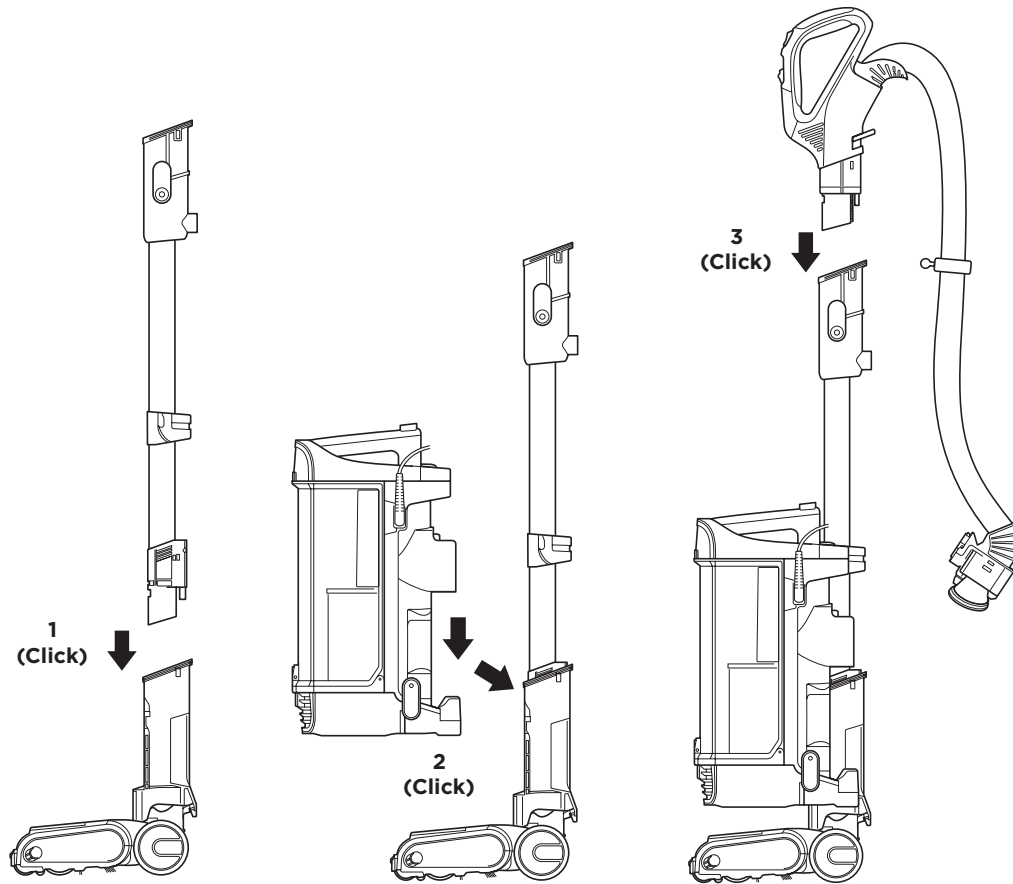
To reduce the risk of fire, electric shock, injury, or property damage, when using an electrical appliance, basic precautions should always be followed, including the following:

### READ ALL INSTRUCTIONS BEFORE USING THIS VACUUM

1. Inspect power cord and plug for any damage before use. **DO NOT** use vacuum cleaner with a damaged cord or plug. Turn off all controls before plugging in or unplugging the vacuum cleaner. Store your vacuum cleaner with the power cord secured around the two cord hooks. To minimize the risk of power cord damage, do not allow the motorized brush roll to ingest the cord. If this occurs, immediately shut off power to the vacuum and remove the cord.
  2. This appliance has a polarized plug, if the plug does not fit fully into the outlet, reverse the plug (one blade is wider than the other). If it still does not fit, contact a qualified electrician. **DO NOT** force into outlet or try to modify to fit.
  3. Your vacuum cleaner may consist of a motorized nozzle, wand, hose, and/or vacuum pod. This device contains electrical connections, electrical wiring, and moving parts that potentially present risk to the user.
  4. Use only identical replacement parts.
  5. Carefully observe and follow the instructions provided below to avoid improper use of the appliance. **DO NOT** use the vacuum for any purpose other than those described in this manual.
  6. Before use, carefully inspect all parts for any damage. **DO NOT** use if any parts are damaged.
  7. The use of an extension cord is **NOT** recommended.
  8. This vacuum cleaner contains no serviceable parts.
  9. This appliance can be used by persons with reduced physical, sensory or mental capabilities or lack of experience and knowledge if they have been given supervision or instruction concerning use of the appliance in a safe way and understand the hazards involved. Cleaning and user maintenance shall not be made by children. Keep the appliance and its cord out of reach of children. **DO NOT** allow the appliance to be used by children. **DO NOT** allow to be used as a toy. Close supervision is necessary when used near children.
  10. Always turn off the vacuum cleaner before connecting or disconnecting any motorized nozzles or other accessories.
  11. **DO NOT** handle plug or vacuum cleaner with wet hands.
  12. **DO NOT** use without filters in place.
  13. Only use Shark® branded filters and accessories.
  14. **DO NOT** damage the power cord:
    - a) **DO NOT** pull or carry vacuum cleaner by the cord or use the cord as a handle.
    - b) **DO NOT** unplug by pulling on cord. Grasp the plug, not the cord.
    - c) **DO NOT** run the vacuum cleaner over the power cord, close a door on the cord, pull the cord around sharp corners, or leave the cord near heated surfaces.
  15. **DO NOT** put any objects into nozzle or accessory openings. **DO NOT** use with any opening blocked; keep free of dust, lint, hair, and anything that may reduce airflow.
  16. **DO NOT** use if nozzle or accessory airflow is restricted. If the air paths or the motorized floor nozzle become blocked, turn the vacuum cleaner off and unplug from electrical outlet. Remove all obstructions before you plug in and turn on the unit again.
  17. Keep nozzle and all vacuum openings away from hair, face, fingers, uncovered feet, or loose clothing.
  18. **DO NOT** use if vacuum cleaner is not working as it should, or has been dropped, damaged, left outdoors, or dropped into water.
  19. Use extra care when cleaning on stairs.
  20. **DO NOT** leave the vacuum cleaner unattended while plugged in.
  21. When powered on, keep the vacuum cleaner moving over the carpet surface at all times to avoid damaging the carpet fibers.
  22. **DO NOT** place vacuum cleaner on unstable surfaces such as chairs or tables.
  23. Your Shark® vacuum may not be designed to stand up on its own. When taking a break from cleaning, you may need to lean it against furniture or a wall, or lay it flat on the floor. Using the vacuum for an application where the unit lacks stability may result in personal injury.
  24. **DO NOT** use to pick up:
    - a) Liquids
    - b) Large objects
    - c) Hard or sharp objects (glass, nails, screws, or coins)
  - d) Large quantities of dust (drywall dust, fireplace ash, or embers). **DO NOT** use as an attachment to power tools for dust collection.
  - e) Smoking or burning objects (hot coals, cigarette butts, or matches)
  - f) Flammable or combustible materials (lighter fluid, gasoline, or kerosene)
  - g) Toxic materials (chlorine bleach, ammonia, or drain cleaner)
- 25. DO NOT** use in the following areas:
- a) Poorly lit areas
  - b) Wet or damp surfaces
  - c) Outdoor areas
  - d) Spaces that are enclosed and may contain explosive or toxic fumes or vapors (lighter fluid, gasoline, kerosene, paint, paint thinners, mothproofing substances, or flammable dust)
26. Turn off all controls before plugging in or unplugging the vacuum.
  27. Unplug from electrical outlet when not in use and before any maintenance or cleaning.
  28. Hand wash with water only. Washing with cleaning chemicals could damage the unit.
  29. During cleaning or routine maintenance, **DO NOT** cut anything other than hair, fibers, or string wrapped around the brushroll.
  30. Allow all filters to air-dry completely before replacing in the vacuum to prevent liquid from being drawn into electric parts.
  31. Make sure the dust cup and all filters are in place after routine maintenance.
  32. If provided, secure the power cord around the two cord hooks during storage.

## SAVE THESE INSTRUCTIONS

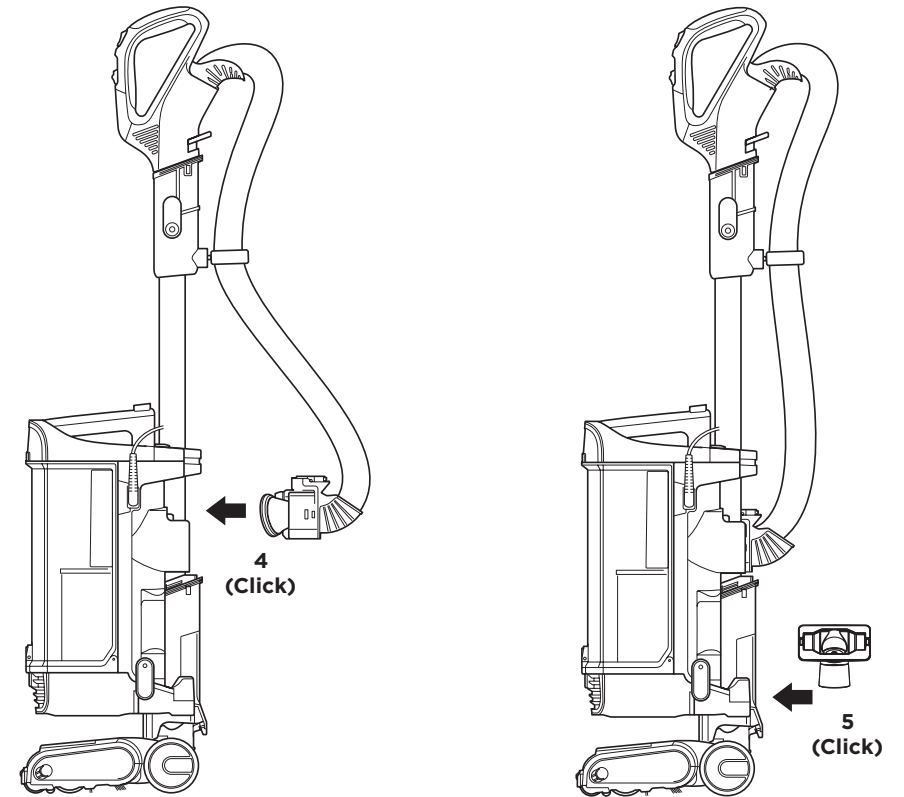
ASSEMBLY



1. Place motorized **Nozzle** on floor and insert **Wand**, pressing it in until it clicks securely into place.
2. Place **Pod** onto wand and slide down to connect.
3. Insert **Handle** into wand, pressing it in until it clicks securely into place.
4. Connect **Hose** to back of pod, pressing it in until it clicks securely into place.
5. Store included accessories on the **Accessory Posts** on the pod.

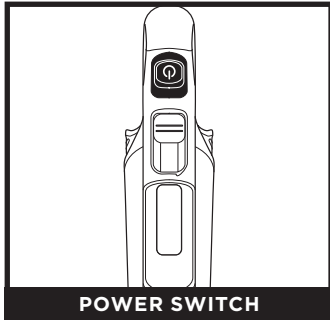
**IMPORTANT:** For proper operation, ensure all connections are securely clicked into place.

ASSEMBLY



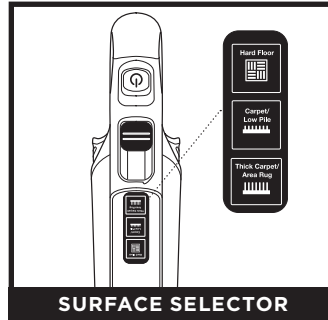
## WHOLE-HOME CLEANING

### SETTINGS



POWER SWITCH

Press power button to turn on vacuum. Please note the brushrolls will not spin unless the wand is reclined.



SURFACE SELECTOR

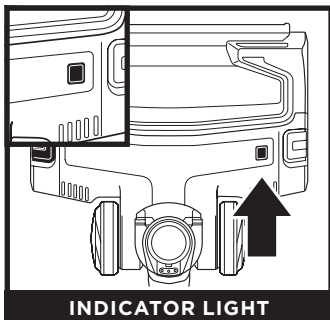
**Thick Carpet & Area Rug Cleaning**  
Slide the surface switch to the top position to select Thick Carpet/Area Rug.

**Carpet & Low Pile Cleaning**  
Slide the surface switch to the middle position to select Carpet/Low Pile to increase the speed of the brushrolls and to help remove stuck-on dust and debris.

**Hard Floor Cleaning**  
Slide the surface switch to the bottom position to select Hard Floor.

**NOTE:** Try using Hard Floor mode for low pile area rugs.

### BRUSHROLL INDICATOR LIGHT



INDICATOR LIGHT

#### WHAT DOES THE BRUSHROLL INDICATOR LIGHT MEAN?

**Solid Green:** The brushrolls are spinning and working as they should.

**Solid Red:** There is a jam in the brushroll area. Turn off the vacuum and unplug it, then remove any blockages in the nozzle.

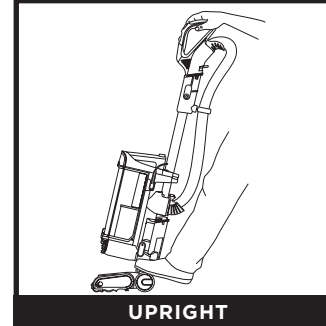
**Flashing Green:** The vacuum is operating in an environment that is either too hot or too cold. This vacuum will only function properly in temperatures ranging from 32°F to 104°F. Turn the vacuum off and adjust the room temperature. Once the temperature has reached the operating range, turn the vacuum back on.

**Flashing Red:** The motorized floor nozzle is overheating. Turn off the vacuum, unplug it, and remove any blockages. Let the vacuum cool down for at least 60 minutes before restarting. See Troubleshooting section for more information.

**NOTE:** For deep cleaning per ASTM F 608 (embedded dirt in carpets) please set to **Carpet/Low Pile**.  
**NOTE:** For maximum suction for above-floor cleaning per ASTM F558, set to **Hard Floor** mode.

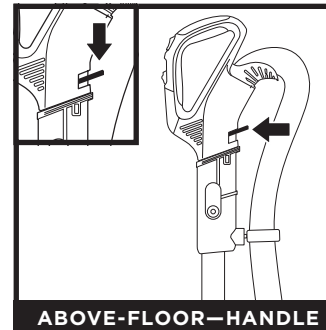
## WHOLE-HOME CLEANING

### CLEANING MODES



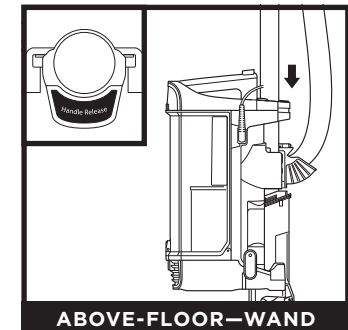
UPRIGHT

To engage brushrolls, step on floor nozzle and tilt handle back.



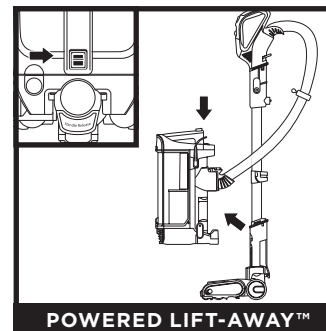
ABOVE-FLOOR—HANDLE

Press the **Handle Release** latch to detach the handle from the wand.



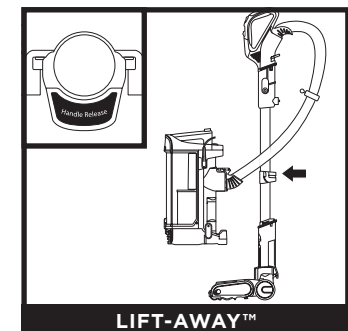
ABOVE-FLOOR—WAND

Press the **Wand Release** button to detach the wand from the pod.



POWERED LIFT-AWAY™

Press the **Lift-Away** button to detach the pod from the floor nozzle.

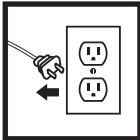


LIFT-AWAY™

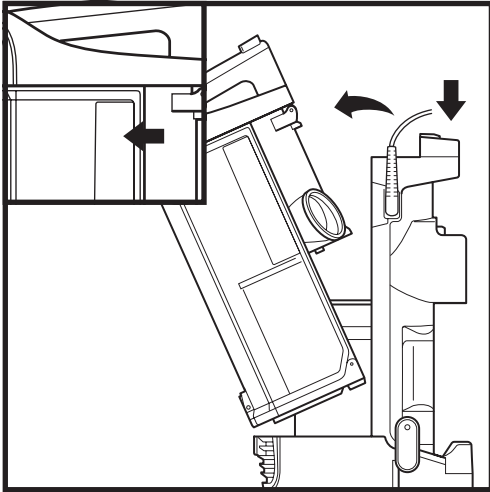
With pod removed, press the **Wand Release** button to detach the wand from the floor nozzle.

**NOTE:** All accessories are compatible with both the wand and the handle.

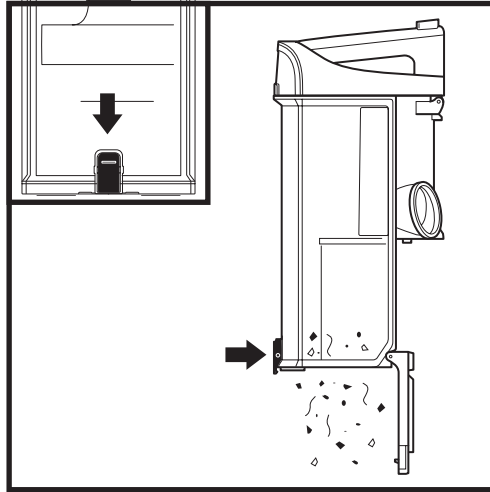
## EMPTYING THE DUST CUP



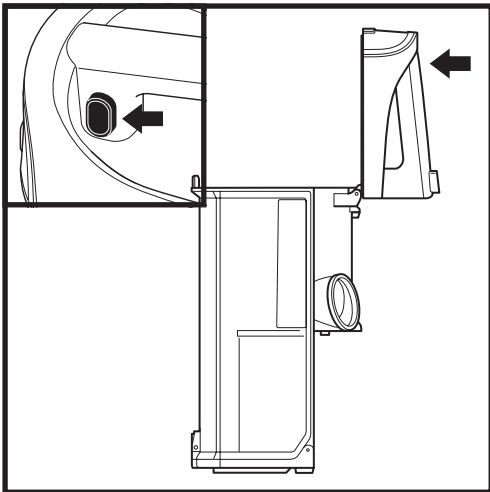
**IMPORTANT:** Unplug the power cord before performing any maintenance.



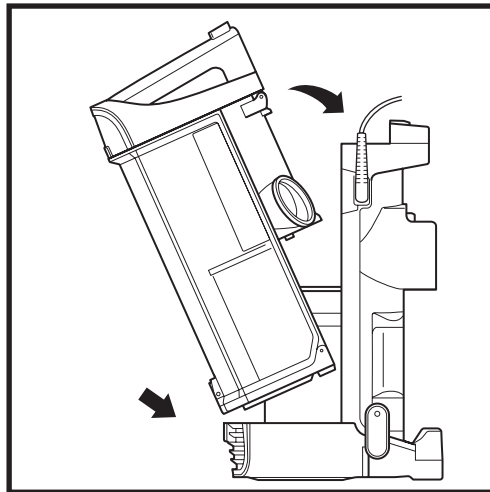
To remove **Dust Cup**, press release button on top of the pod. Tilt dust cup away from wand, then lift to remove.



To empty debris into trash, press lower release button and bottom of dust cup will drop open.



To remove collected debris from **Lint Screen**, press top release button and lift handle to access screen.



To reinstall, place bottom of dust cup into pod and then tilt until it clicks into place.

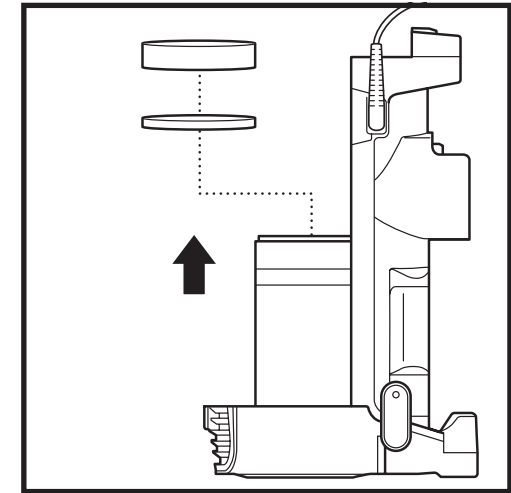
## CLEANING AND REPLACING THE FILTERS

### CLEANING FILTERS

**Regularly rinse and replace the pre-motor and HEPA filters to maintain your vacuum's suction power.**

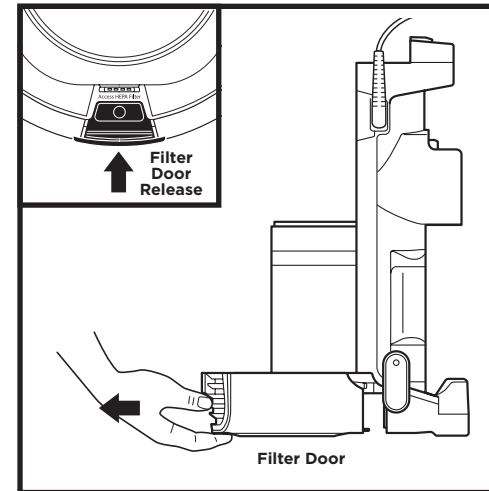
To prevent damage from cleaning chemicals, rinse filters with cold water only. Allow all filters to air-dry for at least 24 hours before reinstalling them to prevent liquid from being drawn into electric parts.

**IMPORTANT: DO NOT** use soap when cleaning the filters.



CLEAN PRE-MOTOR FILTERS EVERY MONTH

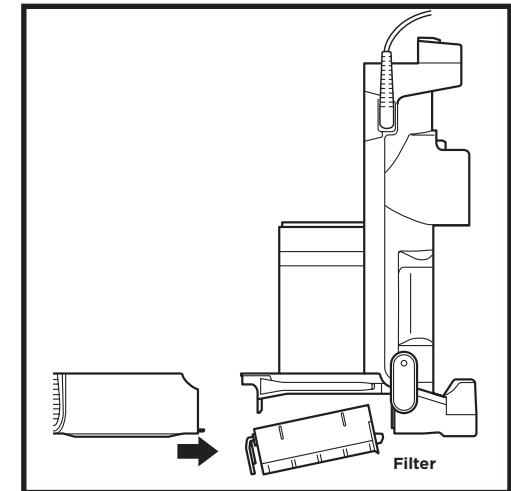
Remove **Dust Cup**, then lift out **Filters**.



CLEAN HEPA FILTER EVERY YEAR

With the dust cup removed, press button on **Filter Door**. Pull forward and slide out to remove, then take out **HEPA Filter**.

To reinstall, insert HEPA filter into unit and replace filter door.



**NOTE:** The pre-motor filters should be replaced every 2.5 years. The post-motor filter should be replaced every 3 years.

## MAINTENANCE

### NOZZLE MAINTENANCE

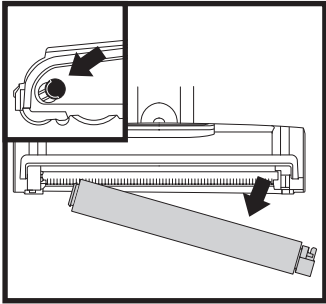
#### SELF-CLEANING BRUSHROLL

If any hair is wrapped around the brushroll, continue vacuuming, using Carpet/Low Pile mode on a bare floor surface, a low-pile carpet, or a small area rug. This will allow the self-cleaning brushroll to remove the hair wrap and send it to the dust cup.

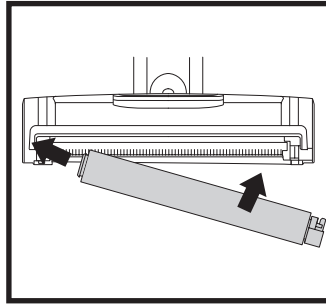
If you run over a hard or sharp object or notice a noise change while vacuuming, check for blockages or objects caught in the brushroll.

If some fibers remain wrapped around the brushroll after continued use, clear them from the brushroll.

#### CLEANING THE SOFT ROLLER

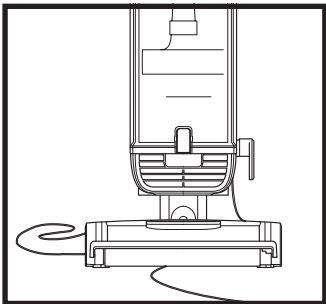


Slide the Soft Roller access button forward to release the Soft Roller.



Hand wash the Soft Roller as needed. Use only water, and allow it to air-dry completely for at least 24 hours. Reinsert the Soft Roller in the front of the nozzle until it clicks into place.

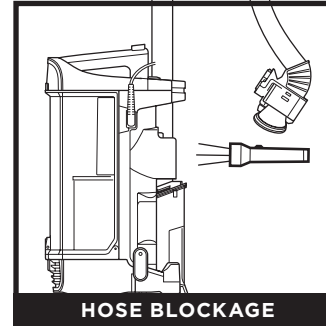
### CORD MAINTENANCE



To minimize the risk of power cord damage, **DO NOT** run the vacuum over the power cord. If this occurs, immediately shut off power to the vacuum and remove the cord from the brushroll or nozzle.

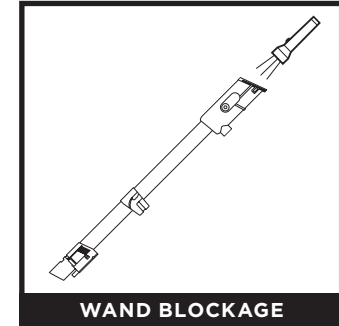
1. **DO NOT** pull or carry vacuum cleaner by the cord or use cord as a handle.
2. **DO NOT** unplug by pulling on the cord. Grasp the plug, not the cord.
3. **DO NOT** close the door on the cord.
4. **DO NOT** pull the cord around sharp corners.
5. **DO NOT** leave the cord near heated surfaces.

## CHECKING FOR BLOCKAGES



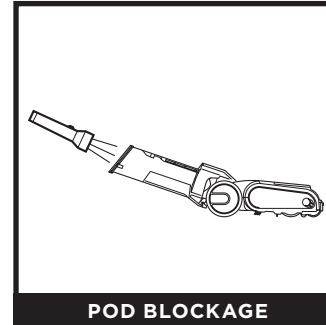
HOSE BLOCKAGE

Detach hose from vacuum pod, and check hose and opening on back of pod for blockages.



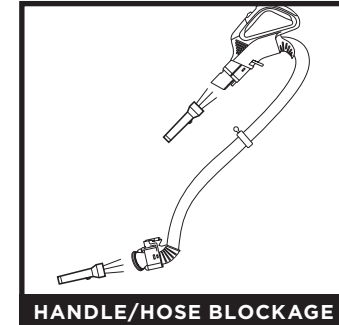
WAND BLOCKAGE

Detach wand from floor nozzle and handle, and check both ends for blockages.



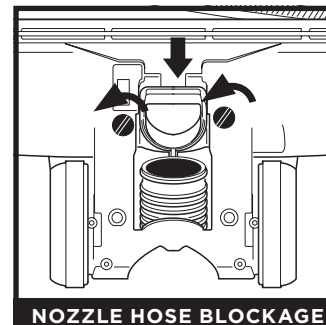
POD BLOCKAGE

Detach wand from floor nozzle, tilt nozzle neck back, and check opening for blockages.



HANDLE/HOSE BLOCKAGE

Detach handle from wand and hose from the vacuum pod, and check openings for blockages.



NOZZLE HOSE BLOCKAGE

To access the nozzle hose, open the locks on the bottom of the nozzle. With a coin, turn the locks counterclockwise, then lift the cover and clear any blockages.

## AVAILABLE ACCESSORIES

### A Crevice Tool

This slender tool offers extended reach to access corners, baseboards, tight spaces, and ceilings.

### B Pet Crevice Tool

This versatile, slender 8" tool removes pet hair from hard-to-reach spaces like corners, ceilings, and between couch cushions.

### C Upholstery Tool

Picks up hair, dust, and large debris from mattresses, couches, curtains, lampshades, and other delicate upholstered fabrics.

### D Dusting Brush

This brush dusts and cleans delicate surfaces. Great for use on fans, blinds, lampshades, and keyboards.

### E Pet Power Brush

The turbine brush loosens and removes pet hair and debris from carpets, and powerfully deep-cleans dander out of upholstery and other surfaces.

### F Under-Appliance Wand

Clean under and behind hard-to-move appliances and furniture with this adjustable 36" tool. Flip the extension piece over to clean the underside of appliances.

### G Anti-Allergen Dust Brush

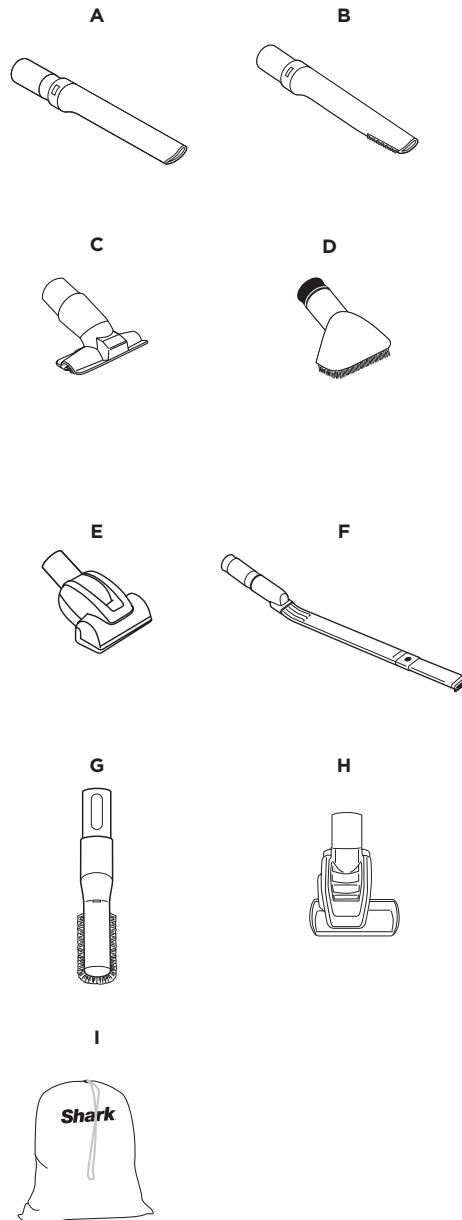
This brush features nylon fiber bristles specifically designed for removing fine dust and allergen particles from the most delicate surfaces.

### H Self-Cleaning Pet Power Brush

Tackles pet hair and ground-in dirt from above-floor areas like carpeted stairs and upholstery, while actively removing hair wrap as it cleans.

### J Accessory Bag

This convenient accessory storage bag measures 32 cm x 70 cm and fits the Under-Appliance Wand. Smaller size available at [sharkaccessories.com](http://sharkaccessories.com).



**NOTE:** Not all accessories come with all units. For a list of the accessories included with this model, see the top inside flap of the box. To order additional accessories, visit [sharkaccessories.com](http://sharkaccessories.com).

## TROUBLESHOOTING

### Power cord caught in brushroll or floor nozzle.

- To minimize the risk of power cord damage, DO NOT run the vacuum over the power cord. If this occurs, immediately shut off power to the vacuum and remove the cord from the brushroll or nozzle.
- Inspect power cord and plug for any damage before use. DO NOT use vacuum cleaner with a damaged cord or plug. Turn off all controls before plugging in or unplugging the vacuum cleaner. Store your vacuum cleaner with the power cord secured around the two cord hooks.

### Vacuum is not picking up debris. No suction or light suction.

- Check filters to see if they need cleaning. Follow instructions for rinsing and air-drying the filters before reinstalling them.
- Dust cup may be full; empty dust cup.
- Check hose, hose connections, nozzle, wand, pod, and accessories for blockages. Clear any blockages found. See Checking for Blockages section for more information.
- If any hair, string, or carpet fibers are wrapped around the brushroll, extend cleaning time to allow the self-cleaning brushroll to remove them. If some hair or fibers remain wrapped around brushroll after continued use, carefully remove them. See Cleaning the Brushroll section for more information.

### Vacuum lifts area rugs.

- Make sure Surface Selector switch is set to Thick Carpet & Area Rug Cleaning.
- Suction is powerful. Take care when vacuuming area rugs or rugs with delicately sewn edges.

### Brushrolls do not spin.

- If the Brushroll Indicator Light turns red, immediately turn off and unplug the vacuum. Remove pod and wand from floor nozzle and clear any blockages. Reconnect nozzle, plug in vacuum, and turn on power.
- With the power on, recline the handle, which will automatically turn on the brushrolls.

### Vacuum turns off on its own or indicator light flashes red.

If your vacuum overheats, the thermostat will automatically turn off the motor. Perform the following steps to restart:

- Turn vacuum off and unplug it.
- Empty dust cup and clean filters. See Emptying the Dust Cup and Cleaning the Filters section for more information.
- Check for blockages in hose, wand, floor nozzle, accessories, and inlet openings.
- Allow unit to cool for a minimum of 60 minutes.
- Plug in vacuum and turn it on.

For all other issues, please call Customer Service 1-800-798-7398.

## FIVE (5) YEAR LIMITED WARRANTY

The Five (5) Year Limited Warranty applies to purchases made from authorized retailers of **SharkNinja Operating LLC**. Warranty coverage applies to the original owner and to the original product only and is not transferable.

SharkNinja warrants that the unit shall be free from defects in material and workmanship for a period of five (5) years from the date of purchase when it is used under normal household conditions and maintained according to the requirements outlined in the Owner's Guide, subject to the following conditions and exclusions:

### What is covered by this warranty?

1. The original unit and/or non-wearable parts deemed defective, in SharkNinja's sole discretion, will be repaired or replaced up to five (5) years from the original purchase date.
2. In the event a replacement unit is issued, the warranty coverage ends six (6) months following the receipt date of the replacement unit or the remainder of the existing warranty, whichever is later. SharkNinja reserves the right to replace the unit with one of equal or greater value.

### What is not covered by this warranty?

1. Normal wear and tear of wearable parts (such as foam filters, HEPA filters, pads, etc.), which require regular maintenance and/or replacement to ensure the proper functioning of your unit, are not covered by this warranty. Replacement parts are available for purchase at [sharkaccessories.com](http://sharkaccessories.com).
2. Any unit that has been tampered with or used for commercial purposes.
3. Damage caused by misuse (e.g., vacuuming up water or other liquids), abuse, negligent handling, failure to perform required maintenance (e.g., not cleaning the filters not removing debris from the brushroll), or damage due to mishandling in transit.
4. Consequential and incidental damages.
5. Defects caused by repair persons not authorized by SharkNinja. These defects include damages caused in the process of shipping, altering, or repairing the SharkNinja product (or any of its parts) when the repair is performed by a repair person not authorized by SharkNinja.
6. Products purchased, used, or operated outside North America.

### How to get service

If your appliance fails to operate properly while in use under normal household conditions within the warranty period, visit [sharkclean.com/support](http://sharkclean.com/support) for product care and maintenance self-help. Our Customer Service Specialists are also available at **1-800-798-7398** to assist with product support and warranty service options, including the possibility of upgrading to our VIP warranty service options for select product categories. So we may better assist you, please register your product online at [registeryourshark.com](http://registeryourshark.com) and have the product on hand when you call.

SharkNinja will cover the cost for the customer to send in the unit to us for repair or replacement. A fee of \$25.95 (subject to change) will be charged when SharkNinja ships the repaired or replacement unit.



### How to initiate a warranty claim

You must call **1-800-798-7398** to initiate a warranty claim. You will need the receipt as proof of purchase. We also ask that you register your product online at [registeryourshark.com](http://registeryourshark.com) and have the product on hand when you call, so we may better assist you. A Customer Service Specialist will provide you with return and packing instruction information.

### How state law applies

This warranty gives you specific legal rights, and you also may have other rights that vary from state to state. Some states do not permit the exclusion or limitation of incidental or consequential damages, so the above may not apply to you.

## REGISTER YOUR PURCHASE

-  [registeryourshark.com](http://registeryourshark.com)
-  Scan QR code using mobile device



Benefits of registering your product and creating an account:

- Get easier, faster product support and access to warranty information
- Access troubleshooting and product care instructions
- Be among the first to know about exclusive product promotions

**TIP:** You can find the model and serial numbers on the QR code label on the bottom of the back of the vacuum pod.

## RECORD THIS INFORMATION

Model Number: \_\_\_\_\_

Serial Number: \_\_\_\_\_

Date of Purchase: \_\_\_\_\_  
(Keep receipt)

Store of Purchase: \_\_\_\_\_

## TECHNICAL SPECIFICATIONS

Voltage: 120V~, 60Hz

Watts: 1300W



# CONSIGNES DE SÉCURITÉ IMPORTANTES

POUR USAGE DOMESTIQUE SEULEMENT

## **A** AVERTISSEMENT

**Pour réduire le risque d'incendie, de décharge électrique, de blessure ou de dommages matériels lors de l'utilisation d'un appareil électrique, il faut toujours suivre les précautions de base suivantes :**

### LISEZ TOUTES LES INSTRUCTIONS AVANT D'UTILISER CET ASPIRATEUR

1. Inspectez le cordon d'alimentation et la fiche pour déceler d'éventuels dommages avant l'utilisation. **N'UTILISEZ PAS** l'aspirateur si le cordon d'alimentation ou la fiche sont endommagés. Fermez toutes les commandes avant de brancher ou de débrancher l'aspirateur. Rangez l'aspirateur en prenant soin d'enrouler le cordon d'alimentation autour des deux crochets à cordon. Pour minimiser le risque d'endommager le cordon d'alimentation, ne laissez pas la brosse rotative motorisée ingérer le cordon. Si cela se produit, coupez immédiatement l'alimentation de l'aspirateur et retirez le cordon.
2. Cet appareil est muni d'une fiche polarisée. Si la fiche ne s'insère pas complètement dans la prise électrique, inversez la fiche (une lame est plus large que l'autre). Si elle ne s'insère toujours pas, communiquez avec un électricien qualifié. **NE FORCEZ PAS** pour insérer la fiche dans la prise et ne tentez pas de la modifier.
3. Votre aspirateur pourrait être composé d'une buse motorisée, d'un tube, d'un tuyau ou d'un réceptacle. Cet appareil comporte des raccordements électriques, du filage électrique et des pièces amovibles pouvant exposer l'utilisateur à certains risques.
4. Utilisez uniquement des pièces de rechange identiques.
5. Respectez et suivez attentivement les instructions ci-dessous afin d'éviter tout usage inadéquat de l'appareil. **N'UTILISEZ PAS** l'aspirateur pour un usage autre que ceux décrits dans le présent manuel.
6. Avant d'utiliser l'appareil, inspectez soigneusement toutes les pièces afin de déceler tout dommage. **NE L'UTILISEZ PAS** s'il est endommagé.

7. L'utilisation d'une rallonge électrique **N'EST PAS** recommandée.
8. Cet aspirateur ne contient aucune pièce pouvant être réparée par l'utilisateur.

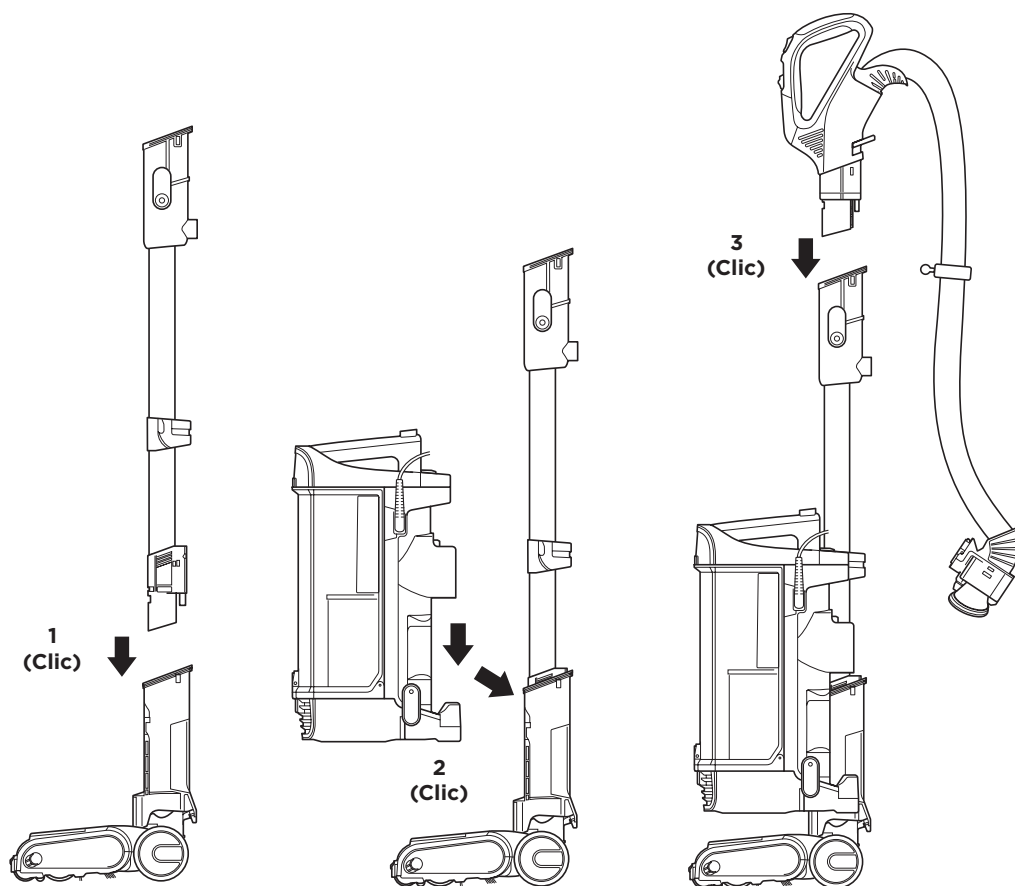
### AVERTISSEMENTS CONCERNANT L'UTILISATION

9. Cet appareil peut être utilisé par des personnes dont les capacités physiques, sensorielles ou mentales sont réduites ou qui manquent d'expérience et de connaissances seulement si elles ont été supervisées ou instruites par rapport à l'utilisation sécuritaire de l'appareil et si elles comprennent les dangers possibles. Les enfants ne peuvent pas nettoyer ni entretenir l'appareil. Gardez l'appareil et son câble hors de la portée des enfants. **NE LAISSEZ PAS** les enfants se servir de l'appareil. **NE PERMETTEZ PAS** de l'utiliser comme un jouet. Une surveillance étroite est nécessaire lorsque l'appareil est utilisé en présence d'enfants.
10. Mettez toujours l'aspirateur hors tension avant d'attacher ou de détacher la buse motorisée ou un autre accessoire.
11. **NE MANIPULEZ PAS** la fiche ou l'aspirateur avec les mains mouillées.
12. **N'UTILISEZ PAS** l'appareil si les filtres ne sont pas en place.
13. Utilisez uniquement des filtres et des accessoires de marque Shark®.
14. **N'ENDOMMAGEZ PAS** le cordon d'alimentation :
  - a) **N'UTILISEZ PAS** le cordon d'alimentation comme poignée pour transporter ou pour tirer l'aspirateur.
  - b) **NE DÉBRANCHEZ PAS** l'appareil en tirant sur le cordon d'alimentation. Agrippez la fiche et non le cordon d'alimentation.
  - c) **NE PASSEZ PAS** l'aspirateur sur le cordon d'alimentation, ne fermez pas de porte sur le cordon, ne tendez pas le cordon sur des coins pointus et ne laissez pas le cordon près de surfaces chaudes.

15. **ÉVITEZ** d'insérer des objets dans les ouvertures de la buse ou de tout autre accessoire. **N'UTILISEZ PAS** l'appareil si une ouverture est obstruée. Veillez à ce que les ouvertures ne soient pas bloquées par de la poussière, de la peluche, des cheveux ou tout autre élément qui pourrait gêner la circulation de l'air.
  16. **N'UTILISEZ PAS** l'appareil si le flux d'air de la buse ou de l'accessoire est obstrué. Si la buse de plancher motorisée ou les conduits d'air deviennent obstrués, éteignez l'aspirateur et débranchez-le de la prise de courant. Retirez toute obstruction avant de remettre l'appareil en marche.
  17. Tenez la buse et tous les orifices de l'aspirateur éloignés des cheveux, du visage, des doigts, des pieds déchaussés ou de vêtements amples.
  18. **N'UTILISEZ PAS** l'aspirateur s'il ne fonctionne pas comme prévu, ou s'il a été échappé sur le sol, endommagé, laissé à l'extérieur ou immergé.
  19. Soyez extrêmement prudent lorsque vous nettoyez les escaliers.
  20. **NE LAISSEZ PAS** l'aspirateur sans surveillance lorsqu'il est branché.
  21. Lorsqu'il est en marche, gardez l'aspirateur en mouvement sur le tapis en tout temps, afin d'éviter d'endommager les fibres du tapis.
  22. **NE PLACEZ PAS** l'aspirateur sur des surfaces instables comme des chaises ou des tables.
  23. Votre aspirateur Shark® pourrait ne pas avoir été conçu pour se maintenir de lui-même en position verticale. Lorsque vous prenez une pause, vous devez peut-être l'appuyer contre un meuble ou un mur, ou le placer sur le plancher. Toute utilisation où l'aspirateur serait dans une position instable pourrait entraîner des blessures corporelles.
  24. **N'UTILISEZ PAS** l'appareil pour aspirer :
    - a) Des liquides
    - b) Des objets de grande taille
    - c) Des objets durs ou tranchants (verre, clous, vis ou pièces de monnaie)
  - d) De grandes quantités de poussière (poussière de cloison sèche, cendres ou braises de foyer). **N'UTILISEZ PAS** l'aspirateur comme accessoire pour un outil électrique pour l'aspiration de la poussière.
  - e) Des objets fumants ou brûlants (charbons ardents, mégots de cigarettes ou allumettes)
  - f) Des matériaux inflammables ou combustibles (essence à briquet, essence ou kérosène)
  - g) Des matières toxiques (eau de Javel, ammoniac ou produit débouchant)
- 25. N'UTILISEZ PAS** l'appareil dans les endroits suivants :
- a) Les endroits faiblement éclairés
  - b) Les surfaces humides ou mouillées
  - c) À l'extérieur
  - d) Endroits fermés pouvant contenir des matières explosives ou des fumées ou des vapeurs toxiques (essence à briquet, essence, kérosène, peinture, diluants à peinture, produits de traitement antimite ou poussières inflammables)
26. Fermez toutes les commandes avant debrancher ou de débrancher l'aspirateur.
  27. Débranchez l'appareil de la prise murale lorsqu'il n'est pas en usage, et avant d'en faire l'entretien ou de le nettoyer.
  28. Lavez à la main avec de l'eau seulement. L'utilisation de produits chimiques de nettoyage pourrait endommager l'appareil.
  29. Pendant le nettoyage ou l'entretien, **NE COUPEZ AUCUNE** matière autre que des cheveux, des fibres ou de la ficelle enroulés autour de la brosse rotative.
  30. Laissez tous les filtres sécher complètement avant de les remettre dans l'aspirateur pour éviter que du liquide ne soit aspiré dans les composants électriques.
  31. Après avoir effectué l'entretien de routine, assurez-vous que le récipient à poussière et tous les filtres sont en place.
  32. Le cas échéant, fixez le cordon d'alimentation autour des deux crochets avant de ranger l'appareil.

## CONSERVEZ CES INSTRUCTIONS

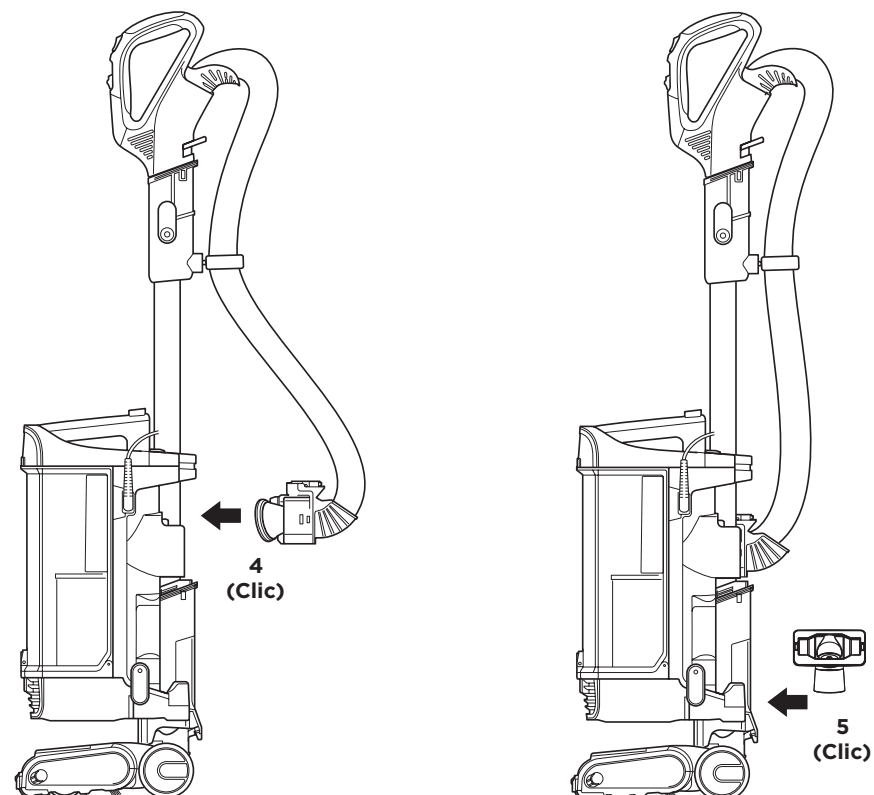
## ASSEMBLAGE



1. Placez la **buse** motorisée sur le sol et insérez le **tube** à l'intérieur, de manière à entendre un déclic indiquant qu'il est bien en place.
2. Faites glisser le **réceptacle** sur le tube afin de les raccorder.
3. Insérez la **poignée** dans le tube de manière à entendre un déclic indiquant qu'elle est bien en place.
4. Fixez le **tuyau** à l'arrière du réceptacle de manière à entendre un déclic indiquant qu'il est bien en place.
5. Rangez les accessoires inclus sur les **supports d'accessoires** sur le réceptacle.

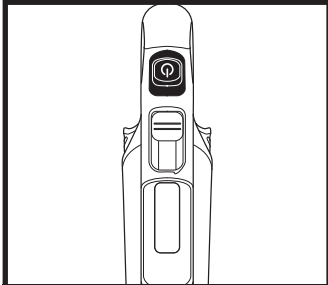
**IMPORTANT :** Afin que l'appareil fonctionne correctement, assurez-vous que tous les branchements sont maintenus fermement en place.

## ASSEMBLAGE



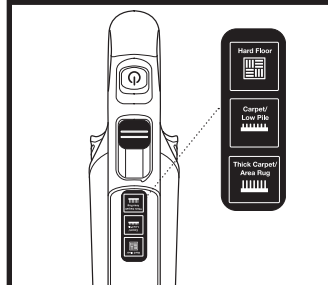
## NETTOYAGE DOMESTIQUE COMPLET

### RÉGLAGES



**INTERRUPTEUR D'ALIMENTATION**

Appuyez sur l'interrupteur d'alimentation pour mettre l'aspirateur en marche. Veuillez noter que la brosse rotative est activée uniquement lorsque l'aspirateur est incliné vers l'arrière.



**SÉLECTEUR DE SURFACE**

#### Nettoyage de tapis épais et décoratifs

Réglez le sélecteur de surface à la position du haut pour sélectionner Thick Carpet/Area Rug (tapis épais/tapis décoratifs).

#### Nettoyage des carpettes et des tapis à poils courts

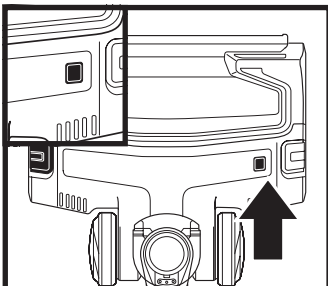
Réglez le sélecteur de surface à la position du milieu pour sélectionner Carpet/Low Pile (carpettes/tapis à poils courts) afin d'accélérer la vitesse des brosses rotatives et d'aider à enlever la poussière et les débris collés.

#### Nettoyage du plancher

Réglez le sélecteur de surface à la position du bas pour sélectionner Hard Floor (plancher).

**REMARQUE :** Essayez d'utiliser le mode Hard Floor (plancher) pour les carpettes à poil court.

### VOYANT INDICATEUR DE LA BROSSEROTATIVE



**VOYANT INDICATEUR**

#### QU'INDIQUENT LES VOYANTS INDICATEURS DE LA BROSSEROTATIVE?

**Vert uni :** Les brosses rotatives tournent et fonctionnent adéquatement.

**Rouge uni :** Une obstruction a été détectée dans la zone de la brosse rotative. Éteignez l'aspirateur, débranchez-le et retirez tout élément causant l'obstruction dans la buse.

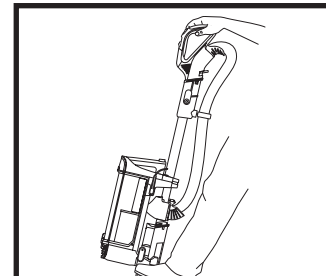
**Rouge clignotant :** La buse de plancher motorisée surchauffe. Éteignez l'aspirateur, débranchez-le et retirez tout élément causant l'obstruction. Laissez l'aspirateur refroidir pendant au moins 60 minutes avant de le remettre en marche. Consultez la section de dépannage pour obtenir plus de renseignements.

**REMARQUE :** Pour un nettoyage en profondeur selon la norme ASTM F 608 (élimination des saletés incrustées dans les tapis), sélectionnez le réglage **Carpet/Low Pile** (carpettes/tapis à poils courts).

**REMARQUE :** Pour une aspiration maximale selon la norme ASTM F558 lors du nettoyage au-dessus du plancher, réglez l'appareil en mode **Hard Floor** (plancher).

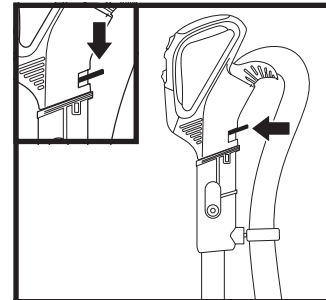
## NETTOYAGE DOMESTIQUE COMPLET

### MODES DE NETTOYAGE



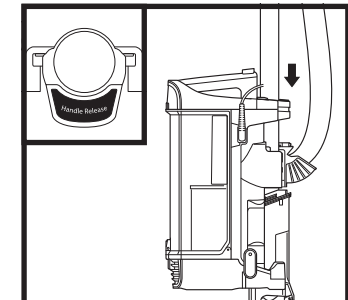
**VERTICAL**

Pour activer les brosses rotatives, appuyez sur la buse de plancher et inclinez la poignée vers l'arrière.



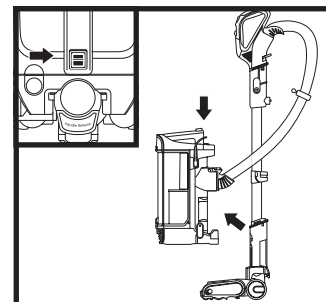
**AU-DESSUS DU SOL - POIGNÉE**

Appuyez sur le loquet **Handle Release** (dégagement de la poignée) afin de détacher la poignée du tube.



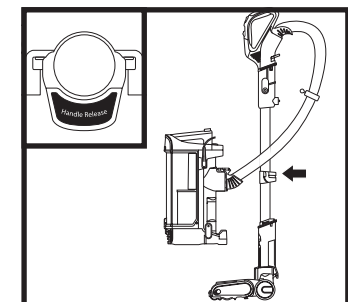
**AU-DESSUS DU SOL - TUBE**

Appuyez sur le bouton **Wand Release** (dégagement du tube) afin de détacher le tube du réceptacle.



**POWERED LIFT-AWAY™**

Appuyez sur le bouton **Lift-Away** (déverrouillage) afin de détacher le réceptacle de la buse de plancher.

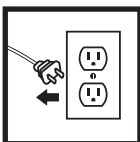


**LIFT-AWAY™**

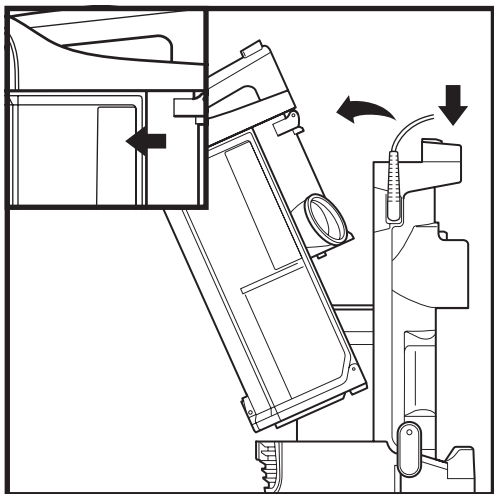
Une fois le réceptacle retiré, appuyez sur le bouton **Wand Release** (dégagement du tube) afin de détacher le tube de la buse de plancher.

**REMARQUE :** Tous les accessoires sont compatibles avec le tube et la poignée.

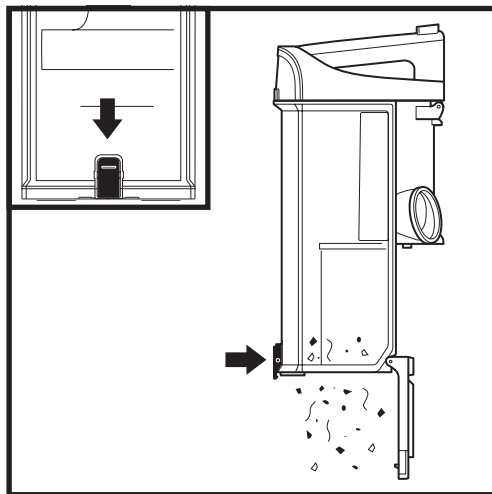
## VIDANGE DU RÉCIPENT À POUSSIÈRE



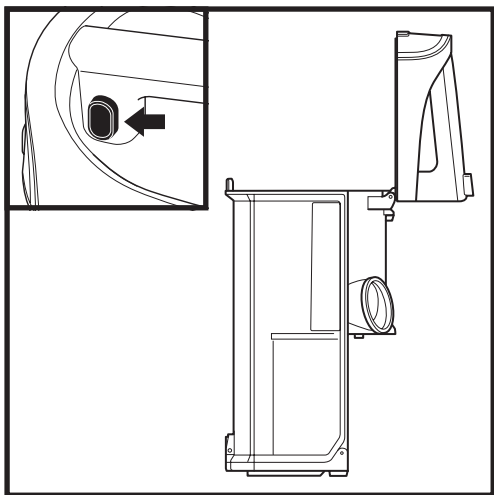
**IMPORTANT :** Débranchez le cordon d'alimentation avant d'effectuer tout entretien.



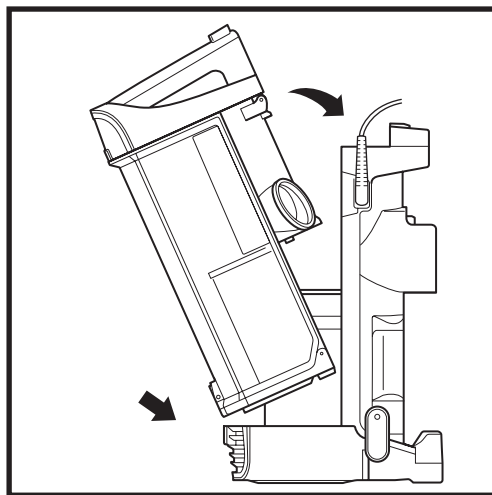
Pour retirer le **réceptacle à poussière**, appuyez sur le bouton de dégagement au-dessus du réceptacle. Inclinez le réceptacle à poussière en direction opposée du tube, puis soulevez-le afin de le retirer.



Pour jeter les débris aux ordures, appuyez sur le bouton de dégagement inférieur et le bas du réceptacle à poussière s'ouvrira.



Afin de retirer les débris ramassés dans le **filtre à charpie**, appuyez sur le bouton de dégagement du dessus et tirez la poignée pour accéder au filtre.



Afin de réinstaller le réceptacle à poussière, placez son dessous sur le réceptacle, puis inclinez le réceptacle à poussière jusqu'à ce que vous entendiez un déclic.

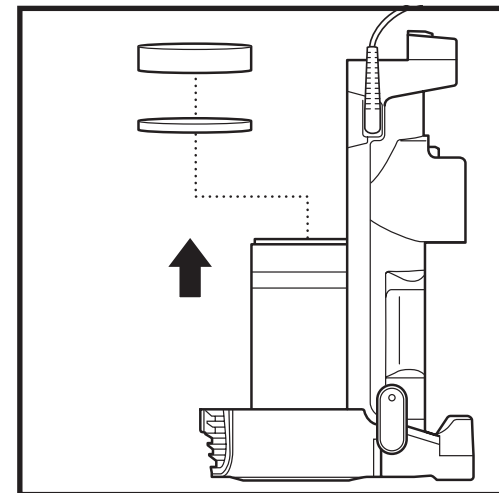
## NETTOYAGE ET REMPLACEMENT DES FILTRES

### NETTOYAGE DES FILTRES

**Rincez et remplacez régulièrement le pré-moteur et les filtres HEPA pour maintenir la puissance d'aspiration de votre aspirateur.**

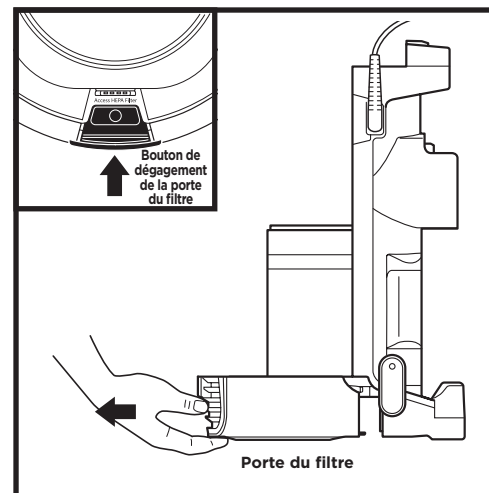
Rincez les filtres avec de l'eau froide seulement afin d'éviter les dégâts résultant de l'utilisation de produits chimiques. Laissez tous les filtres sécher entièrement au moins 24 heures avant de les remettre dans l'aspirateur pour éviter que l'eau ne soit aspirée dans les composants électriques.

**IMPORTANT :** N'UTILISEZ PAS de savon pour nettoyer les filtres.

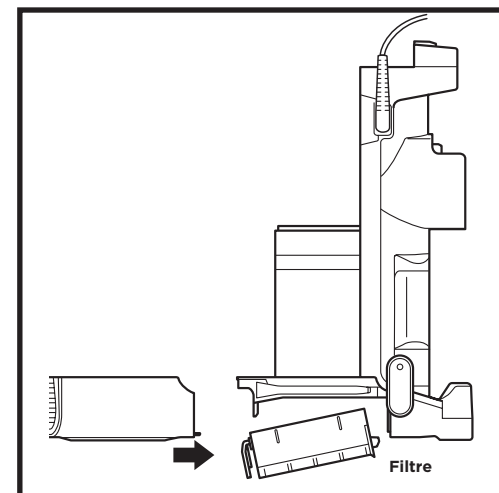


NETTOYEZ LES FILTRES PRÉ-MOTEUR À CHAQUE MOIS

Retirez le **réceptacle à poussière**, puis soulevez les **filtres**.



Porte du filtre



Filtre

NETTOYEZ LE FILTRE HEPA CHAQUE ANNÉE

Lorsque le réceptacle à poussière est retiré, appuyez sur le bouton qui se trouve sur la **porte du filtre**. Tirez et faites glisser l'accessoire vers l'extérieur pour le retirer, puis sortez le **filtre HEPA**. Pour le réinstaller, insérez le filtre HEPA dans l'appareil et remplacez la porte du filtre.

**REMARQUE :** Les filtres pré-moteur devraient être remplacés tous les 2 ans et demi. Le filtre post-moteur devrait être remplacé tous les 3 ans.

## ENTRETIEN

### ENTRETIEN DE LA BUSE

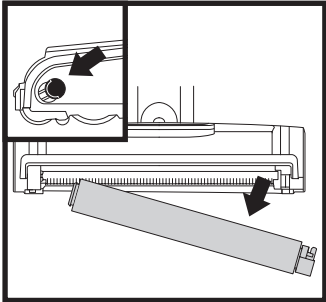
#### BROSSE ROTATIVE AUTONETTOYANTE

S'il y a des cheveux enroulés autour de la brosse rotative, continuez à passer l'aspirateur en utilisant le mode Carpet/Low Pile (carpettes/tapis à poils courts) sur les planchers, les tapis à poils courts ou les carpettes. Ainsi, la brosse rotative autonettoyante pourra enlever les cheveux enroulés et les envoyer dans le récipient à poussière.

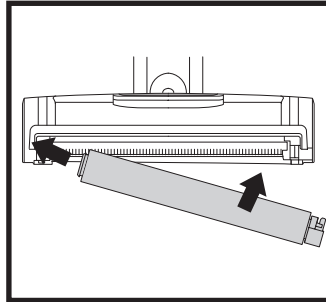
Si vous passez l'aspirateur sur un objet dur ou tranchant ou que vous remarquez un changement de bruit pendant que vous passez l'aspirateur, vérifiez la présence d'obstructions ou d'objets coincés dans la brosse rotative.

Si certaines fibres restent enroulées autour de la brosse rotative après une utilisation continue, retirez-les de la brosse.

#### NETTOYAGE DU ROULEAU DOUX

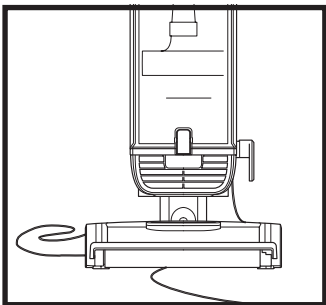


Pour enlever le rouleau doux, faites glisser le bouton d'accès de ce dernier vers l'avant.



Lavez le rouleau doux à la main au besoin. Utilisez uniquement de l'eau et laissez-le sécher entièrement à l'air libre pendant au moins 24 heures. Réinsérez le rouleau doux à l'avant de la buse jusqu'à ce qu'un clic se fasse entendre.

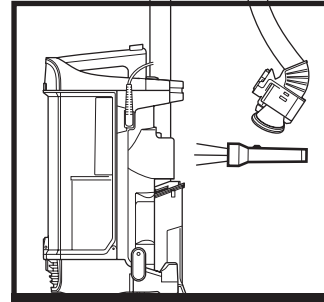
#### ENTRETIEN DU CORDON



Pour minimiser le risque d'endommager le cordon d'alimentation, NE PAS faire passer l'aspirateur sur le cordon d'alimentation. Si cela se produit, coupez immédiatement l'alimentation de l'aspirateur et retirez le cordon de la brosse rotative ou de la buse.

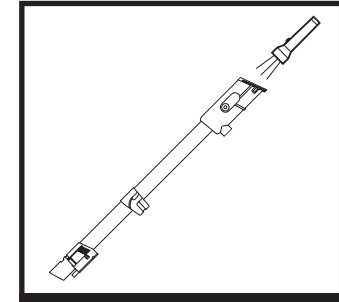
1. **N'UTILISEZ PAS** le cordon d'alimentation comme poignée, pour porter ou pour tirer l'aspirateur.
2. **NE DÉBRANCHEZ PAS** l'appareil en tirant sur le cordon d'alimentation. Agrippez par la fiche et non le cordon.
3. **NE FERMEZ PAS** de porte sur le cordon d'alimentation.
4. **NE TIREZ PAS** le cordon autour d'un coin pointu.
5. **NE LAISSEZ PAS** le cordon près de surfaces chauffées.

## VÉRIFICATION DE LA PRÉSENCE D'OBSTRUCTIONS



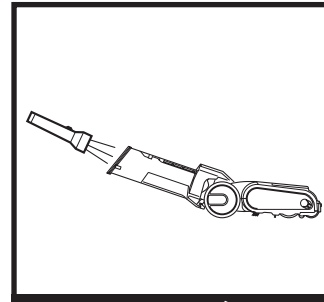
**OBSTRUCTION DU TUYAU**

Détachez le tuyau du réceptacle de l'aspirateur et vérifiez le tuyau et l'ouverture du réceptacle pour voir s'il y a des obstructions.



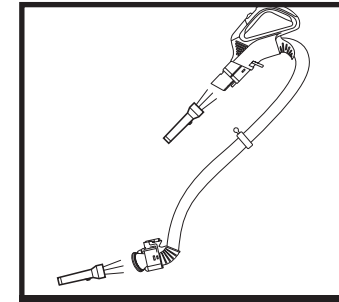
**OBSTRUCTION DU TUBE**

Détachez le tube de la buse de plancher et de la poignée et vérifiez s'il y a des obstructions des deux côtés.



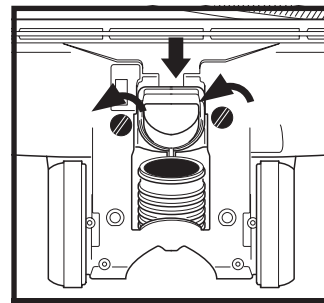
**OBSTRUCTION DU RÉCEPTACLE**

Détachez le tube de la buse de plancher, inclinez la buse vers l'arrière, et vérifiez s'il y a des obstructions dans l'ouverture.



**OBSTRUCTION DE LA POIGNÉE/TUYAU**

Détachez la poignée du tube et le tuyau du réceptacle de l'aspirateur afin de vérifier s'il y a des obstructions aux extrémités.



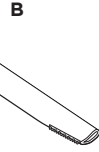
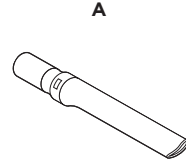
**BLOCAGE DE LA BUSE DU TUYAU**

Pour accéder à la buse du tuyau, ouvrez les verrous au fond de la buse. Avec une pièce de monnaie, tournez les verrous dans le sens antihoraire, puis soulevez le couvercle et dégagez toute obstruction.

## ACCESSOIRES DISPONIBLES

### A Suceur plat

Cet accessoire effilé permet d'accéder aux coins, aux plinthes et aux endroits exigus et d'atteindre les plafonds.

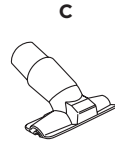


### B Suceur plat pour animaux

Cet outil fin et polyvalent élimine les poils d'animaux dans les espaces difficiles d'accès comme les coins, les plafonds et entre les coussins de divans.

### C Outil à meubles

Enlève les cheveux, la poussière et les gros débris des matelas, des canapés, des rideaux, des abat-jours et des autres tissus rembourrés délicats.

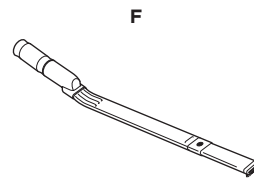


### D Brosse à épousseter

Cette brosse dépoussière et nettoie les surfaces délicates. Idéale pour les ventilateurs, les stores, les abat-jour et les claviers.

### E Brosse motorisée pour les poils d'animaux

La brosse à turbine détache et élimine les poils d'animaux et les débris des tapis, et nettoie en profondeur et avec puissance les squames des tissus d'ameublement et d'autres surfaces.

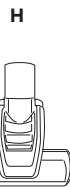


### F Tube d'extension pour l'espace sous les meubles

Utilisez cet outil réglable de 91 cm pour nettoyer en dessous et à l'arrière des meubles et des appareils électroménagers difficiles à déplacer. Retournez l'accessoire de rallonge pour nettoyer en dessous des appareils électroménagers.

### G Brosse à épousseter anti-allergène

Cette brosse est dotée de poils en fibre de nylon spécialement conçus pour enlever la poussière fine et les particules allergènes des surfaces les plus délicates.



### H Labrosse motorisée pour les poils d'animaux autonettoyante

s'attaque aux poils d'animaux domestiques et à la saleté incrustée dans les zones surélevées, comme les marches recouvertes de tapis et les meubles en tissu, tout en retirant activement l'enroulement de poils et de cheveux pendant qu'elle nettoie.

### I Sac d'accessoires

Ce sac de rangement pratique pour accessoires de 32 cm x 70 cm peut contenir le tube d'extension pour l'espace sous les meubles. Version en format réduit proposée sur [sharkaccessories.com](http://sharkaccessories.com).



## DÉPANNAGE

### Le cordon d'alimentation est coincé dans la brosse rotative ou dans la buse de plancher.

- Pour minimiser le risque d'endommager le cordon d'alimentation, NE PAS faire passer l'aspirateur sur le cordon d'alimentation. Si cela se produit, coupez immédiatement l'alimentation de l'aspirateur et retirez le cordon de la brosse rotative ou de la buse.
- Avant d'utiliser l'appareil, inspectez le cordon d'alimentation et la fiche pour déceler d'éventuels dommages. N'UTILISEZ PAS l'aspirateur si le cordon d'alimentation ou la fiche sont endommagés. Fermez toutes les commandes avant de brancher ou de débrancher l'aspirateur. Rangez l'aspirateur en prenant soin d'enrouler le cordon d'alimentation autour des deux crochets à cordon.

### L'aspirateur ne ramasse pas la poussière. Aucune aspiration ou aspiration faible.

- Vérifiez les filtres pour voir s'ils doivent être nettoyés. Suivez les instructions de rinçage et de séchage des filtres avant de les réinsérer.
- Le récipient à poussière pourrait être plein; videz-le, le cas échéant.
- Vérifiez le tuyau, les raccords du tuyau, la buse, le tube, le réceptacle et les accessoires pour déterminer s'ils sont obstrués. Éliminez toute obstruction, le cas échéant. Consultez la section Vérification des obstructions pour plus d'informations.
- Si des poils, une ficelle ou des fibres de tapis sont enroulés autour de la brosse rotative, prolongez la durée de nettoyage pour permettre à la brosse rotative autonettoyante de les retirer pour vous. Si des cheveux ou certaines fibres restent enroulées autour de la brosse rotative après une utilisation continue, enlevez-les soigneusement. Vérifiez la section Nettoyage de la brosse rotative pour plus d'informations.

### L'aspirateur soulève les carpettes.

- Assurez-vous que le sélecteur de surface est réglé sur Nettoyage de tapis épais et de tapis.
- La succion est puissante. Faites attention lorsque vous passez l'aspirateur sur les carpettes et sur les tapis à bordure cousue délicate.

### Les brosses rotatives ne tournent pas.

- Si le voyant indicateur de la brosse rotative devient rouge, éteignez et débranchez immédiatement l'aspirateur. Retirez le réceptacle et le tube de la buse de plancher et éliminez toutes les obstructions. Refixez la buse, branchez l'aspirateur et mettez-le en marche.
- Lorsque l'aspirateur est en marche, inclinez la poignée; cela activera automatiquement les brosses rotatives.

### L'aspirateur s'éteint tout seul ou le voyant indicateur clignote en rouge.

En cas de surchauffe de l'aspirateur, le thermostat éteint automatiquement le moteur de l'appareil. Suivez les étapes ci-dessous pour réinitialiser l'appareil :

1. Éteignez l'aspirateur et débranchez-le.
2. Videz le récipient à poussière et nettoyez les filtres. Reportez-vous aux sections Vidange du récipient à poussière et Nettoyage des filtres pour plus de renseignements.
3. Vérifiez s'il y a des obstructions dans le tuyau, le tube, la buse de plancher, les accessoires et les orifices d'entrée.
4. Laissez refroidir l'appareil pendant au moins 60 minutes.
5. Branchez l'aspirateur et mettez-le en marche.

**REMARQUE :** Tous les accessoires ne sont pas fournis avec tous les appareils. Pour une liste des accessoires inclus avec ce modèle, consultez le rabat intérieur supérieur de la boîte. Pour acheter des accessoires supplémentaires, consultez le site [sharkaccessories.com](http://sharkaccessories.com).

Si vous rencontrez toute autre difficulté, veuillez contacter notre service à la clientèle au 1 800 798-7398.

## GARANTIE LIMITÉE DE CINQ (5) ANS

La garantie limitée cinq (5) an s'applique aux achats effectués auprès de détaillants autorisés de **SharkNinja Operating LLC**. La garantie s'applique uniquement au premier propriétaire et au produit original et n'est pas transférable.

SharkNinja garantit ce produit contre toute défectuosité de matériau ou de main-d'œuvre pour une période cinq (5) an à compter de la date d'achat, dans le cadre d'un usage domestique normal et si le produit est entretenu conformément aux exigences décrites dans le guide de l'utilisateur, sujet aux conditions, aux exclusions et aux exceptions ci-dessous.

### Qu'est-ce qui est couvert par cette garantie?

1. L'appareil d'origine et/ou des pièces inusables considérés comme défectueux, à la seule discrétion de SharkNinja, seront réparés ou remplacés jusqu'à cinq (5) an à compter de la date d'achat initiale.
2. Dans le cas d'un remplacement de l'appareil, la garantie prendra fin six (6) mois après la date de réception de l'appareil de remplacement ou pendant le reste de la période de garantie existante, selon la période la plus longue. SharkNinja se réserve le droit de le remplacer par un appareil de valeur égale ou supérieure.

### Qu'est-ce qui n'est pas couvert par cette garantie?

1. L'usure normale des pièces (comme les filtres en mousse, les filtres HEPA, les tampons, etc.) qui nécessitent un entretien et/ou un remplacement réguliers afin d'assurer le bon fonctionnement de votre appareil n'est pas couverte par cette garantie. Vous pouvez faire l'achat de pièces de rechange par l'entremise du site [sharkaccessories.com](http://sharkaccessories.com).
2. La garantie ne s'applique pas aux appareils utilisés de façon abusive ou à des fins commerciales.
3. Les dommages causés par une mauvaise utilisation (comme aspirer de l'eau ou d'autres liquides), un abus, une négligence lors de la manipulation, un manquement à l'entretien nécessaire (comme ne pas nettoyer les filtres ou ne pas retirer les débris de la brosse rotative), ou un dommage dû à une mauvaise manipulation pendant le transport.
4. Les dommages indirects et accessoires.
5. Les défectuosités causées par des réparateurs non autorisés par SharkNinja. Ces défectuosités incluent les dommages causés lors du processus d'expédition, de modification ou de réparation du produit SharkNinja (ou de l'une de ses pièces) lorsque la réparation est effectuée par un réparateur non autorisé par SharkNinja.
6. Les produits achetés, utilisés ou mis en fonction à l'extérieur de l'Amérique du Nord.

### Comment obtenir du service

Si votre appareil ne fonctionne pas correctement lorsque vous l'utilisez normalement à domicile durant la période de garantie, visitez le [sharkclean.com/support](http://sharkclean.com/support) pour obtenir de l'information sur les soins et entretien du produit que vous pouvez effectuer vous-même. Nos spécialistes du service à la clientèle sont aussi disponibles au **1 800 798-7398** pour de l'assistance sur les produits et les options de garantie de service offertes, y compris la possibilité de passer à nos options de garantie de service VIP pour certaines catégories de produits. Afin que nous puissions mieux vous aider, veuillez enregistrer votre produit en ligne à l'adresse [registryourshark.com](http://registryourshark.com) et avoir le produit en main lorsque vous nous appelez.

SharkNinja assumera les frais de retour de l'appareil à nos sites par le consommateur en vue de la réparation ou du remplacement de l'appareil. Un montant de 25,95 \$ (sujet à changement) sera facturé lorsque SharkNinja expédiera l'appareil réparé ou remplacé.

### Comment présenter une demande de service sous garantie

Veuillez noter que vous devez téléphoner au **1 800 798-7398** pour soumettre une réclamation au titre de la garantie. Vous aurez besoin du reçu comme preuve d'achat. Nous vous demandons également d'enregistrer votre produit en ligne à l'adresse [registryourshark.com](http://registryourshark.com) et d'avoir le produit en main lorsque vous nous appelez afin que nous puissions mieux vous aider. Un spécialiste du service à la clientèle vous fournira les directives d'emballage et de retour.

### De quelle manière les lois d'État s'appliquent-elles?

Cette garantie vous accorde des droits spécifiques légaux et vous pouvez aussi bénéficier d'autres droits qui varient d'une province ou d'un État à l'autre. Certains États américains ou certaines provinces canadiennes n'acceptent pas l'exclusion ou la limitation de dommages accessoires ou indirects, ce qui fait que cette disposition peut ne pas s'appliquer à votre cas.

## ENREGISTREZ VOTRE ACHAT



[registryourshark.com](http://registryourshark.com)



Numérisez le code QR avec votre appareil mobile



Avantages d'enregistrer votre produit et de créer un compte :

- Obtenez un service après-vente plus facile et plus rapide, et accédez aux informations de garantie
- Accédez au dépannage et aux instructions d'entretien du produit
- Soyez parmi les premiers à connaître les promotions exclusives de produits

**CONSEIL :** Le numéro de modèle et le numéro de série sont indiqués sur l'étiquette de code QR située en bas, à l'arrière du réceptacle de l'aspirateur.

## NOTEZ LES RENSEIGNEMENTS CI-DESSOUS

Numéro de modèle : \_\_\_\_\_

Numéro de série : \_\_\_\_\_

Date d'achat : \_\_\_\_\_

(Conservez la facture)

Magasin où l'appareil a été acheté : \_\_\_\_\_

## CARACTÉRISTIQUES TECHNIQUES

Tension : 120 V~, 60 Hz

Puissance : 1300 W





**PLEASE READ CAREFULLY AND KEEP FOR FUTURE REFERENCE.**

This Owner's Guide is designed to help you get a complete understanding of your new Shark® Vertex™ DuoClean® PowerFins™ Powered Lift-Away™ with Self-Cleaning Brushroll Upright Vacuum.

SharkNinja Operating LLC  
US: Needham, MA 02494  
CAN: Ville St-Laurent, QC H4S 1A7  
1-800-798-7398  
sharkclean.com

Illustrations may differ from actual product. We are constantly striving to improve our products; therefore the specifications contained herein are subject to change without notice.

This product may be covered by one or more U.S. patents. See [sharkninja.com/patents](http://sharkninja.com/patents) for more information.

**VEUILLEZ LIRE ATTENTIVEMENT LE PRÉSENT MODE D'EMPLOI ET LE CONSERVER À TITRE INFORMATIF.**

Ce guide de l'utilisateur a été conçu pour vous aider à acquérir une compréhension approfondie de votre nouvel aspirateur vertical Shark® Vertex™ DuoClean® PowerFins™ Powered Lift-Away™ avec brosse rotative autonettoyante.

SharkNinja Operating LLC  
États-Unis : Needham, MA 02494  
Canada : Saint-Laurent (Québec) H4S 1A7  
1 800 798-7398  
sharkclean.com

Les illustrations peuvent différer du produit réel. Nous tentons constamment d'améliorer nos produits; par conséquent, les caractéristiques indiquées dans le présent guide peuvent être modifiées sans préavis.

Ce produit peut être couvert par un ou plusieurs brevets américains. Voir [sharkninja.com/patents](http://sharkninja.com/patents) pour plus d'informations.

---

© 2022 SharkNinja Operating LLC. DUOCLEAN and SHARK are registered trademarks of SharkNinja Operating LLC. LIFT-AWAY, POWERED LIFT-AWAY, and VERTEX are trademarks of SharkNinja Operating LLC.

© SharkNinja Operating LLC, 2022. DUOCLEAN et SHARK sont des marque déposée de SharkNinja Operating LLC. LIFT-AWAY, POWERED LIFT-AWAY, et VERTEX sont des marques déposées de SharkNinja Operating, LLC.



@sharkcleaning