

# ***Shark.* AI ROBOT**

**Robot Vacuum  
Aspirateur Robot  
Aspiradora Robot**

**RV2000**

**Series • Série • Serie**

**OWNER'S GUIDE  
GUIDE DE L'UTILISATEUR  
GUÍA DEL PROPIETARIO**

---



# IMPORTANT SAFETY INSTRUCTIONS

PLEASE READ CAREFULLY BEFORE USE • FOR HOUSEHOLD USE ONLY

If the charging cable plug does not fit fully into the outlet, reverse the plug. If it still does not fit, contact a qualified electrician. DO NOT force into outlet or try to modify to fit.

## **⚠ WARNING**

To reduce the risk of fire, electric shock, injury, or property damage:

### GENERAL WARNINGS

When using an electrical appliance, basic precautions should always be followed, including the following:

1. This appliance consists of a robotic vacuum and charging dock with power supply. These components contain electrical connections, electrical wiring, and moving parts that potentially present risk to the user.
2. Before each use, carefully inspect all parts for any damage. If a part is damaged, discontinue use.
3. Use only identical replacement parts.
4. This robotic vacuum cleaner contains no serviceable parts.
5. Use only as described in this manual. **DO NOT** use the robotic vacuum cleaner for any purpose other than those described in this manual.
6. With the exception of filters, **DO NOT** expose any parts of the robotic vacuum cleaner to water or other liquids.

### USE WARNINGS

7. This appliance can be used by persons with reduced physical, sensory or mental capabilities or lack of experience and knowledge if they have been given supervision or instruction concerning use of the appliance in a safe way and understand the hazards involved.
  - a) Children shall not play with the appliance.
  - b) Cleaning and user maintenance shall not be made by children without supervision.
8. Always turn off the robotic vacuum cleaner before inserting or removing the filter or dust bin.
9. **DO NOT** handle plug, charging dock, charging cable, or robotic vacuum cleaner with wet hands. Cleaning and user maintenance shall not be made by children without supervision.
10. **DO NOT** use without robot dust bin and filters in place.

11. **DO NOT** damage the charging cord:
  - a) **DO NOT** pull or carry charging dock by the cord or use the cord as a handle.
  - b) **DO NOT** unplug by pulling on cord. Grasp the plug, not the cord.
  - c) **DO NOT** close a door on the cord, pull the cord around sharp corners, or leave the cord near heated surfaces.
12. **DO NOT** put any objects into nozzle or accessory openings. **DO NOT** use with any opening blocked; keep free of dust, lint, hair, and anything that may reduce airflow.
13. **DO NOT** use if robotic vacuum cleaner airflow is restricted. If the air paths become blocked, turn the vacuum cleaner off and remove all obstructions before turning on the unit again.
14. Keep nozzle and all vacuum openings away from hair, face, fingers, uncovered feet, or loose clothing.
15. **DO NOT** use if robotic vacuum cleaner is not working as it should, or has been dropped, damaged, left outdoors, or dropped into water.
16. **DO NOT** place vacuum cleaner on unstable surfaces,
17. When manually moving the robot to a new location, it must be placed at least 1.5 feet (45 cm) away from any stairs or cliffs.
18. **DO NOT** use to pick up:
  - a) Liquid spills
  - b) Large objects
  - c) Hard or sharp objects (glass, nails, screws, or coins)
  - d) Large quantities of dust (drywall dust, fireplace ash, or embers). **DO NOT** use as an attachment to power tools for dust collection.
  - e) Smoking or burning objects (hot coals, cigarette butts, or matches)
  - f) Flammable or combustible materials (lighter fluid, gasoline, or kerosene)
  - g) Toxic materials (chlorine bleach, ammonia, or drain cleaner)

19. **DO NOT** use in the following areas:
  - a) Outdoor areas near fireplaces with unobstructed entrances
  - b) Spaces that are enclosed and may contain explosive or toxic fumes or vapors (lighter fluid, gasoline, kerosene, paint, paint thinners, mothproofing substances, or flammable dust
  - c) In an area with a space heater
  - d) Near fireplaces with unobstructed entrances
  - e) On wet or slippery surfaces
20. Turn off the robotic vacuum cleaner before any adjustment, cleaning, maintenance or troubleshooting. Note: in the OFF (O) position, the robot still uses a small amount of power.
21. Allow all filters to air-dry completely before replacing in the robotic vacuum cleaner to prevent liquid from being drawn into electric parts.
22. **DO NOT** modify or attempt to repair the robotic vacuum cleaner or the battery yourself, except as indicated in this manual. **DO NOT** use the vacuum if it has been modified or damaged.
23. Remove all spilled or leaked liquid from the base or floor, as it could lead to risk of electrical shock.
24. For your robot's cliff sensors to work properly, all runners, rugs, or carpets must be 8 inches away from any stairs (or it must be continuous and extend over the edge of the stairs). If a runner, rug, or carpet edge is less than 8 inches from the cliff edge or stairs, then the use of a BotBoundary® strip is required to block off the stairs and any cliff edge. BotBoundary strips are not included with your robot but can be purchased by contacting Shark Customer Service at 1-855-460-5425.

### BATTERY USE

25. The battery is the power source for the vacuum. Carefully read and follow all charging instructions.
26. To prevent unintentional starting, ensure the vacuum is powered off before picking up or carrying the vacuum. **DO NOT** carry the appliance with your finger on the power switch.

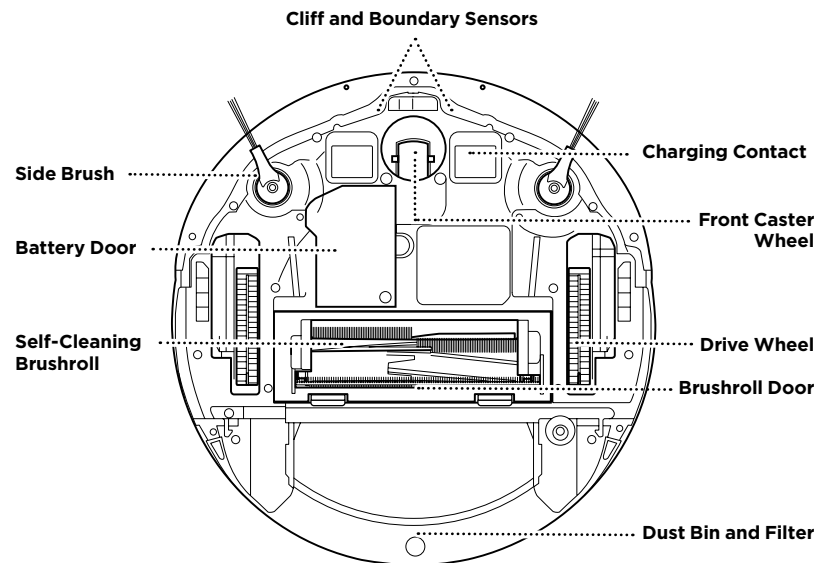
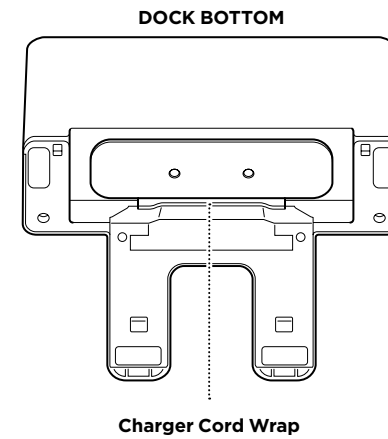
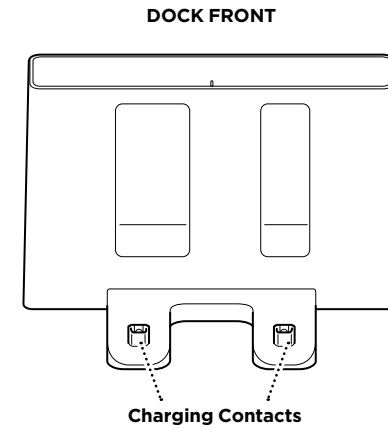
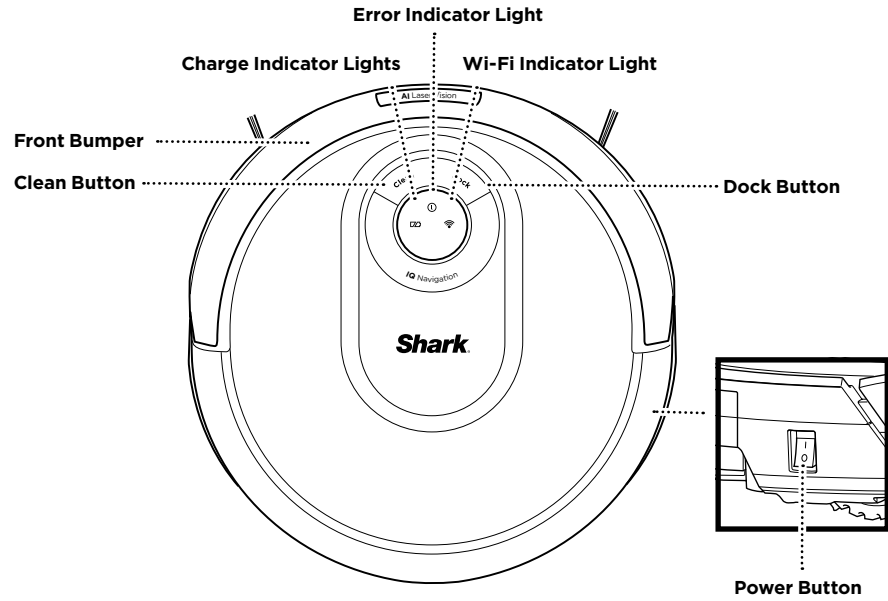
27. Use **ONLY** the Shark® charging dock XDCKRV2000 and use only battery RVBAT850A. Use of batteries or battery chargers other than those indicated may create a risk of fire.
28. Keep the battery away from all metal objects such as paper clips, coins, keys, nails, or screws. Shorting the battery terminals together increases the risk of fire or burns.
29. Under abusive conditions, liquids may be ejected from the battery. Avoid contact with this liquid, as it may cause irritation or burns. If contact occurs, flush with water. If liquid contacts eyes, seek medical help.
30. Robotic vacuum cleaner should not be stored, charged, or used at temperatures below 50°F (10°C) or above 104°F (40°C). Ensure the battery and vacuum have reached room temperature before charging or use. Exposing the robot or battery to temperatures outside of this range may damage the battery and increase the risk of fire.
31. **DO NOT** expose the robotic vacuum cleaner or battery to fire or temperatures above 265°F (130°C) as it may cause explosion.
32. Non-rechargeable batteries cannot be recharged.

### BOTBOUNDARY® STRIPS

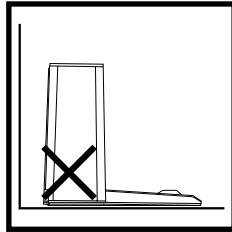
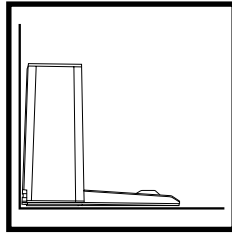
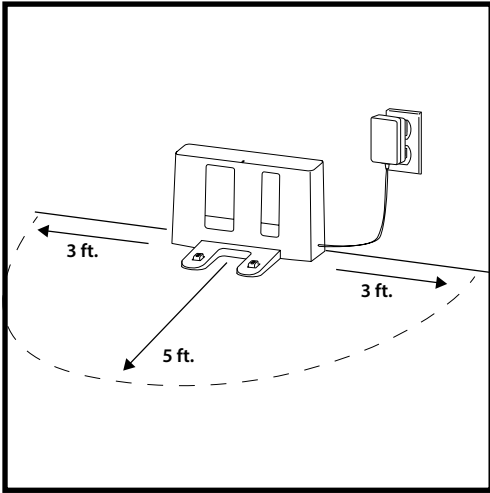
33. **DO NOT** put BotBoundary strips underneath carpet or rugs.
34. **DO NOT** place BotBoundary strips on top of one another.
35. Always use BotBoundary strips around reflective flooring and surfaces.
36. BotBoundary strips should always be used near carpeted stairs.
37. **DO NOT** place BotBoundary strips within 10 feet of the dock.
38. For your robot's cliff sensors to work properly, all runners, rugs, or carpets must be eight inches from any stairs (or it must be continuous and extend over the edge of the stairs). If a runner, rug or carpet edge that is less than eight inches from the stairs cannot be moved, you must use a BotBoundary strip to block off the stairs.

## SAVE THESE INSTRUCTIONS

For the latest warnings and cautions, go to [sharkclean.com/robothelp](https://sharkclean.com/robothelp)

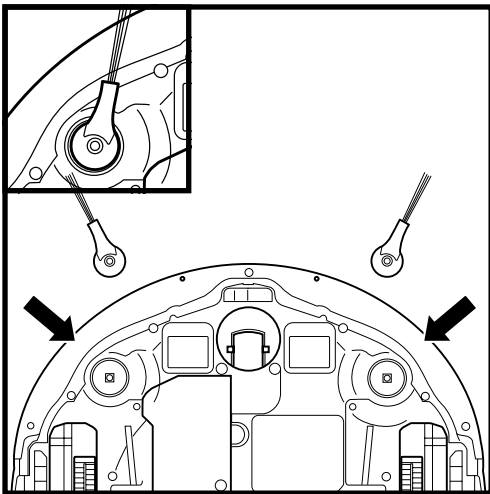


## DOCK SETUP



- Select a permanent location for the **Charging Dock**, because every time you relocate it, your robot will have to completely re-map your house.
- Place the dock with its back against a wall. Select a level surface on bare floor, in a central area. Do not place dock against baseboards or heating elements.
- Remove any objects that are closer than 3 feet from either side of the dock, or closer than 5 feet from the front of the dock.
- Plug in the dock. The indicator light will illuminate green when the dock has power.

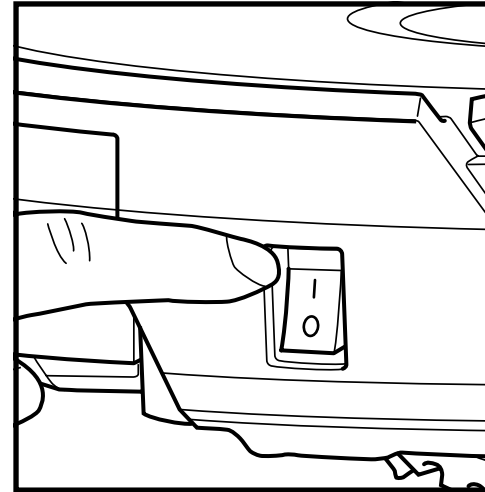
## INSTALLING THE SIDE BRUSHES



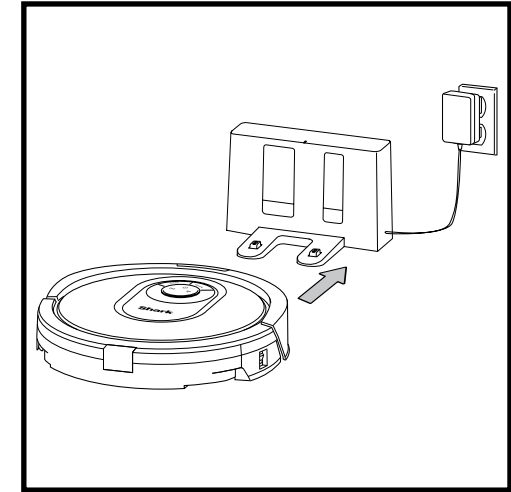
Snap the 2 included **Side Brushes** onto the square pegs on the bottom of the robot.

## CHARGING

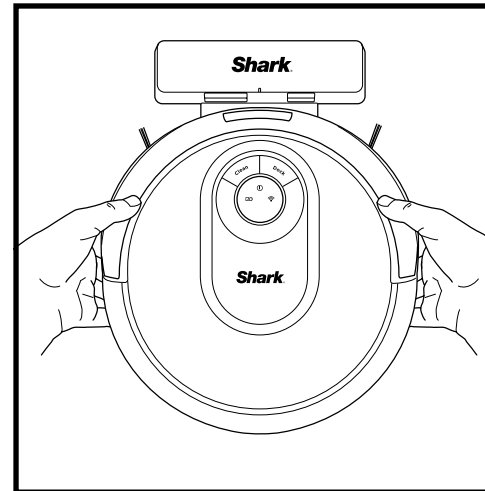
**IMPORTANT:** The Shark® AI Robot has a pre-installed rechargeable battery. Charge the battery completely before first use. It may take up to 6 hours to fully charge.



To charge, place the robot on the dock. The **Power** button on the side of the robot must be in the ON position (I). The robot will beep when charging begins.



When the cleaning cycle is complete, the battery is low, or when programmed to in a recharge/resume mission, the robot will search for the dock. If the robot doesn't return to dock, its charge may have run out.

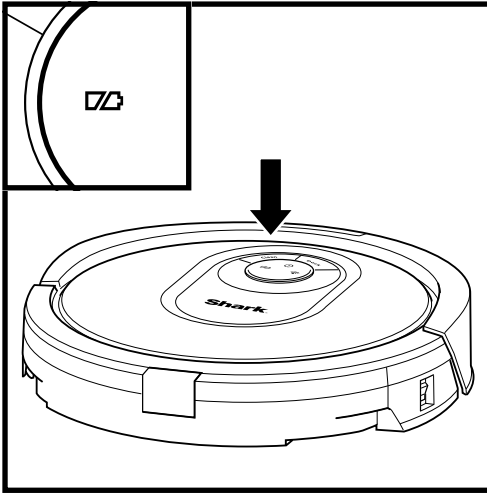


If the robot has no charge or it cannot return to the dock, manually place it on the dock. The indicator light on the dock will change to blue and the robot will beep when charging begins.

**NOTE:** When manually placing the robot on the dock, make sure the **Charging Contacts** on the bottom of the robot are touching the ones on the dock. While the robot is charging, both white LED lights will flash. When charging is complete, lights will illuminate steadily.

**NOTE:** When picking up the robot, be careful not to place fingers between the bumper and the base of the robot.

## CHARGE INDICATOR LIGHTS



In Use



While Charging (White)



No Charge or Off



The white charge indicator lights show how much battery power is remaining.

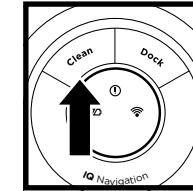
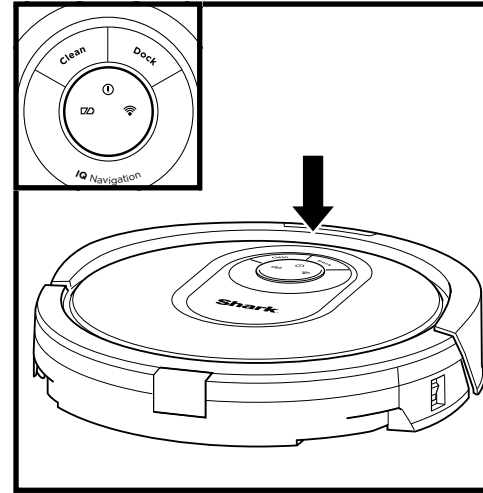
While the robot is charging, both white LED lights will flash. When charging is complete, both will illuminate steadily. It may take up to 6 hours to fully charge your robot.

If the robot is idle and away from the charging dock for 10 minutes, it will enter **Sleep Mode**. The indicator lights will turn off, but the battery and Wi-Fi lights will remain on in sleep mode. Wake up the robot by pressing any button.

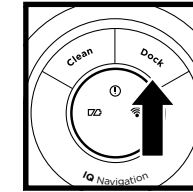
**NOTE:** If the low charge light is blinking red, there is not enough battery power for the robot to return to the dock. Manually place the robot on the dock.

**TIP:** To preserve battery life, turn off the power switch if the robot will not be used for a long period of time. The robot should be recharged at least once every three months. The switch must be in the ON position to charge the robot.

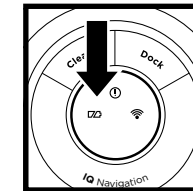
## BUTTONS AND INDICATOR LIGHTS



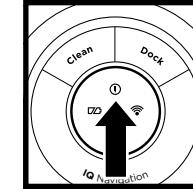
**CLEAN BUTTON**  
Press to begin a cleaning session. Press again to stop.



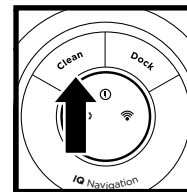
**DOCK BUTTON**  
Press to stop cleaning and send robot back to the charging dock.



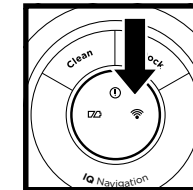
**CHARGE INDICATOR LIGHTS**  
Display the amount of charge remaining in the battery.



**“!” ERROR INDICATOR**  
See Troubleshooting section for full list of error codes.



**RECHARGE & RESUME**  
Press and hold the CLEAN button for 15 seconds to turn Recharge & Resume ON or OFF.



**WI-FI INDICATOR**  
White light: connected to Wi-Fi.  
Red light: not connected.  
Flashing White: setup mode.  
No light: not set up yet.

The Recharge & Resume function is turned OFF by default. Turn ON Recharge & Resume for complete coverage if your home's floor plan is bigger than 1500 sq. ft. Your robot will return to the dock, recharge, and can pick up where it left off.

**IMPORTANT:** Before cleaning an entire room for the first time, we recommend that you first test your robot on a small section of the floor to ensure there is no scratching.

## PREP YOUR HOME

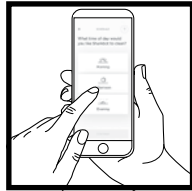
Your robot uses an array of sensors to navigate around walls, furniture legs, and other obstacles while it cleans. To prevent the robot from entering areas you don't want it to, set up no-go zones in the app. For best results, prepare your home as indicated below, and schedule a daily cleaning to ensure all floor areas are regularly maintained.

**NOTE:** Scheduling is one of many features that can only be done in the app.



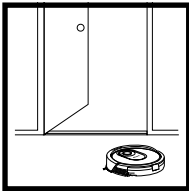
### OBSTRUCTIONS

Clear cords and objects smaller than 2.8" in height from floors and open interior doors to ensure a complete map of your home.



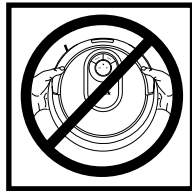
### SCHEDULING

Schedule whole-home vacuuming runs with the app.



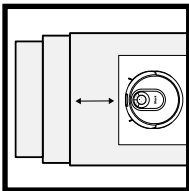
### THRESHOLDS

Your robot can easily climb over most thresholds, but if one is too high, set up a no-go zone in the app to block it off.



### AVOID MOVING THE ROBOT & DOCK

While your robot is cleaning, do not pick it up and move it, or move the charging dock—this will impact the robot's navigation and ability to return to dock when cleaning is complete.

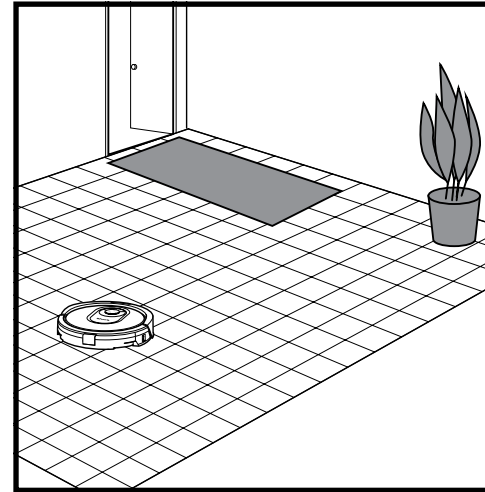


### STAIRS

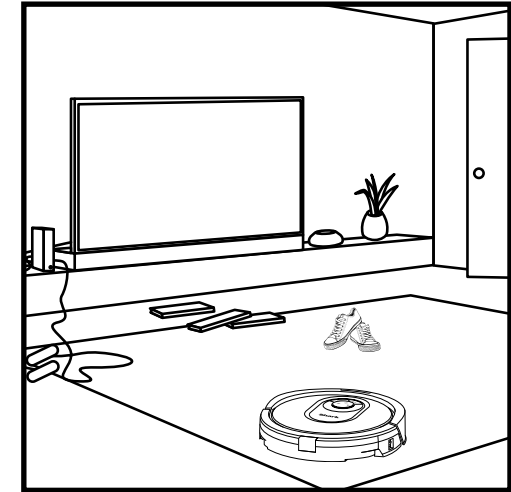
Your robot's cliff sensors will prevent it from falling off ledges. For the cliff sensors to work properly in any mode, all runners, rugs, or carpets must be at least 8 inches from any stairs, or must extend over the edge of the stairs.

## USING THE SHARK® AI ROBOT

### IQ NAVIGATION™ AND AI LASER VISION



After setup is complete, your robot will conduct an **Explore Run** to create an initial map of your home. The robot will travel from room to room to identify walls, furniture, and other obstacles as it cleans. This run will take less time than a full cleaning, as it doesn't cover the entire floor.



The robot's object detection technology helps it navigate around obstacles taller than 2.8" in height. Create no-go zones in the app to block off areas you do not want the robot to enter. You can set up no-go zones around small objects, or use them to block off large areas.

### MANUAL CLEANING MODE

To manually start a cleaning cycle, press the **Clean** button on the robot or on the mobile app. To immediately send the robot back to the dock, press the Dock button.

**NOTE:** Be sure to charge the robot completely before its first cleaning so that it can explore, map, and clean as much of your home as possible. It may take up to 6 hours to fully charge your robot.

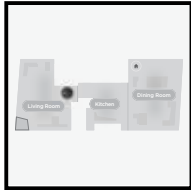
**NOTE:** Avoid moving the dock. If it is relocated, the robot may not be able to find its way back to the dock. If the robot is relocated while in use, it may not be able to follow its intelligent cleaning path, or find its way back to the dock.

## USING THE SHARK® AI ROBOT

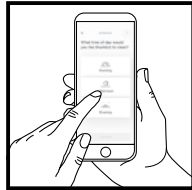
Please visit [sharkclean.com/app](http://sharkclean.com/app) or call 1-855-460-5425 for answers to all your app questions.

### USING THE SHARKCLEAN™ APP AND VOICE CONTROLS

Get the most out of your Shark AI Robot with these app features:



- Recharge and Resume**  
 Enable this feature to handle multi-room cleaning in larger homes. The robot will return to the dock, recharge, and can pick up where it left off.
- Go Zones, No-Go Zones**  
 Use the no-go zones in the app to keep your robot out of the areas you would like it to avoid.



- Scheduling**  
 Set whole-home cleanings for any time, any day.
- Control From Anywhere**  
 Wherever you are, you're in control of your robot.
- Cleaning Reports**  
 Each time your robot cleans, your app will generate a cleaning report.

Search for **SharkClean** in the app store and download the app to your iPhone™ or Android™.



#### SETTING UP VOICE CONTROL WITH THE GOOGLE ASSISTANT OR AMAZON ALEXA

Visit [sharkclean.com/app](http://sharkclean.com/app) for setup instructions which include how to enable Shark Skill for Amazon Alexa and using with Google Assistant.

**Google Assistant:**

- “OK Google, tell Shark to start cleaning.”
- “OK Google, tell Shark to pause my robot.”
- “OK Google, tell Shark to send my robot to the dock.”

**Amazon Alexa:**

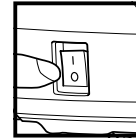
- “Alexa, tell Shark to start cleaning.”
- “Alexa, tell Shark to pause my robot.”
- “Alexa, tell Shark to send my robot to the dock.”

### WI-FI TROUBLESHOOTING

- To use the app, your phone must be connected to a 2.4GHz network. The app will only work on a 2.4GHz network.
- Typical home Wi-Fi networks support both 2.4GHz and 5GHz.
- Do not use a VPN or a proxy server.
- Make sure Wi-Fi isolation is turned off on the router.
- If you cannot connect, call 1-855-460-5425.

ERROR CODE	PROBLEM
! (RED) + Wi-Fi indicator (RED Flashing)	Wrong password for Wi-Fi
! (Flashing red) + Wi-Fi (RED)	SSID cannot be found, try connecting again
! + Wi-Fi (Flashing RED at the same time)	Cannot connect to Wi-Fi

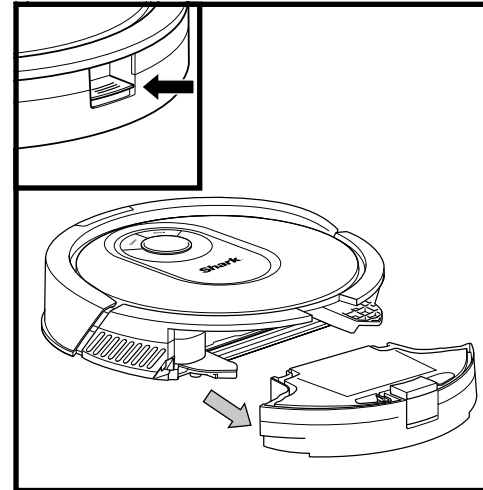
## MAINTENANCE



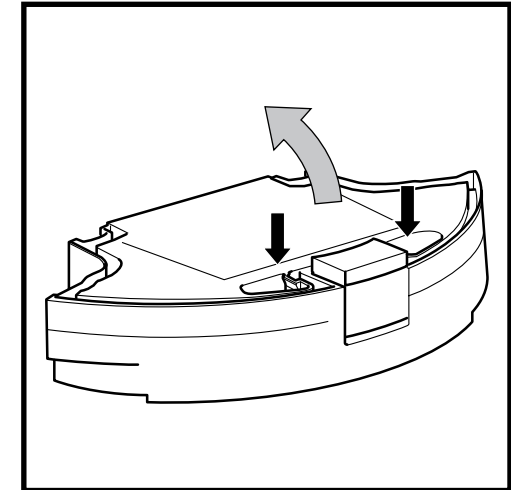
**CAUTION:** Turn off power before performing any maintenance.

**NOTE:** in the OFF (O) position, the robot still uses a small amount of power.

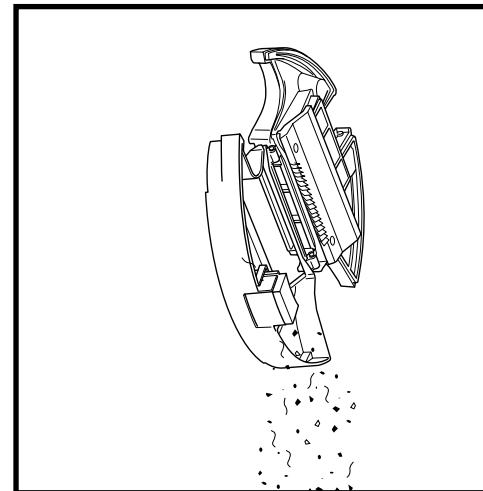
### EMPTYING THE DUST BIN



Press the **Dust Bin Release Button** and slide out the dust bin.

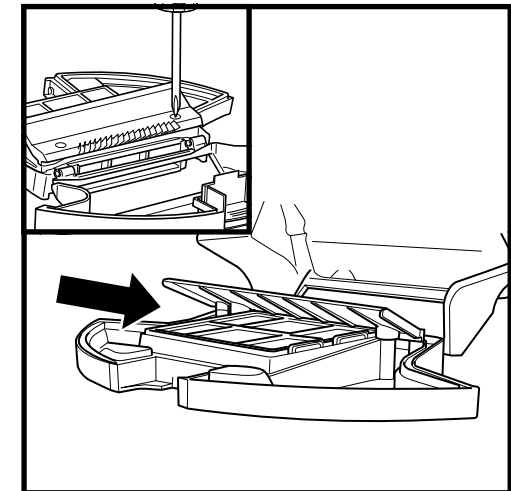


To open the dust bin lid, press and hold the button while lifting the lid, using the finger slots.



Empty debris and dust into trash. Remove filter and wash dust bin if necessary.

**NOTE:** Make sure to insert the dust bin completely, until it clicks into place.



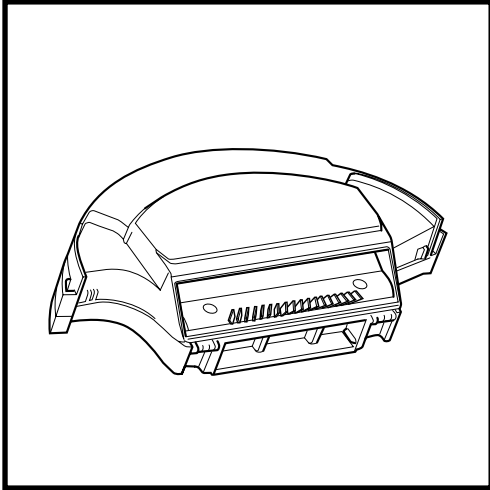
Look between the filter and the plastic shield and make sure there is no debris buildup.

Remove shield and clear any debris buildup with a dry cloth or soft brush.

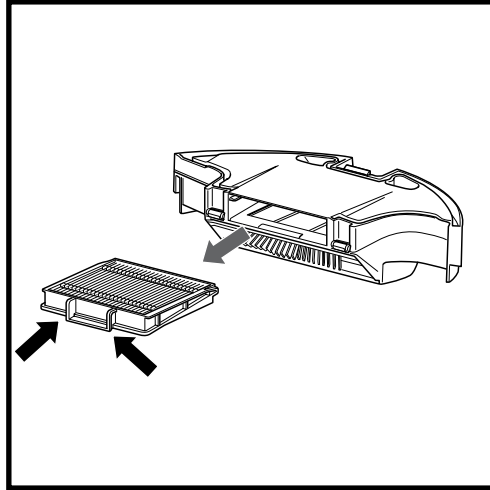
## MAINTENANCE

### CLEANING AND REPLACING THE FILTER

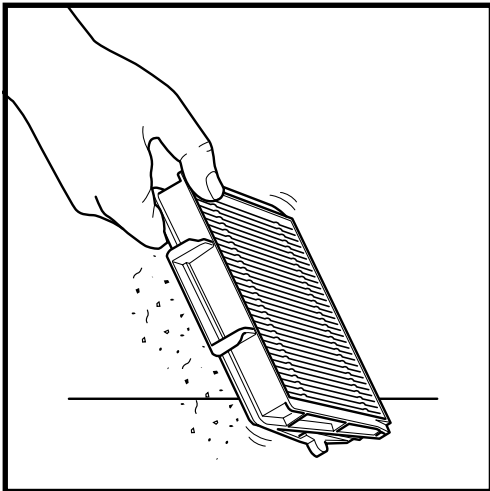
For optimal suction power, after each use, clean and reinsert the filter inside the robot's dust bin. See [sharkaccessories.com](http://sharkaccessories.com) for replacement filters.



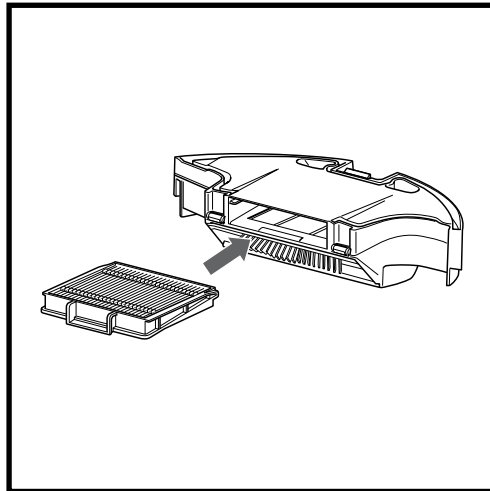
Remove and empty the dust bin. Clean any hair or debris off the **Anti-Tangle Comb** on the back of the dust bin.



Pull filter out of the dust bin by the tabs.



Lightly tap the filter to remove debris every time you empty the dust bin. For a deeper clean, rinse the filter with water once a month. Allow the filter to air-dry for up to 24 hours before reinstalling.

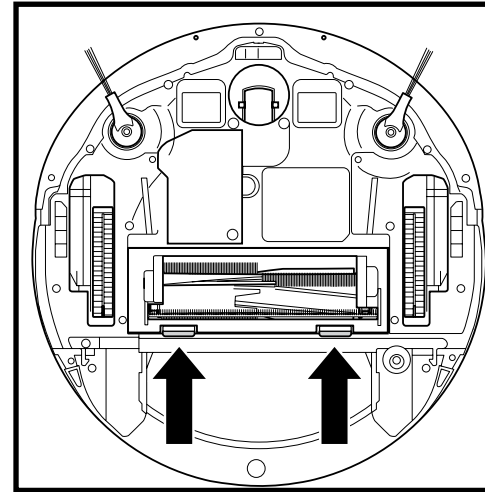


Reinsert the filter into the dust bin, then slide the dust bin back into the robot until it clicks into place.

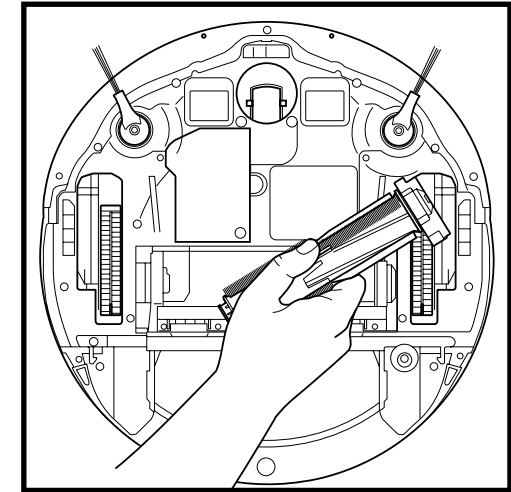
## MAINTENANCE

### SELF-CLEANING BRUSHROLL

The **Self-Cleaning Brushroll** actively removes hair wrap while your robot cleans. If some debris remains wrapped around the brushroll, continue to run the robot to give the brushroll time to clean itself. If some hair wrap or debris remains after continued cleaning, carefully remove it from the brushroll.



To access the brushroll, push up on the tabs on the brushroll door, then lift off the door.



Lift out the brushroll and remove any debris. Reinstall the brushroll, inserting the flat end first. Close the brushroll access door and press down until both sides click into place.

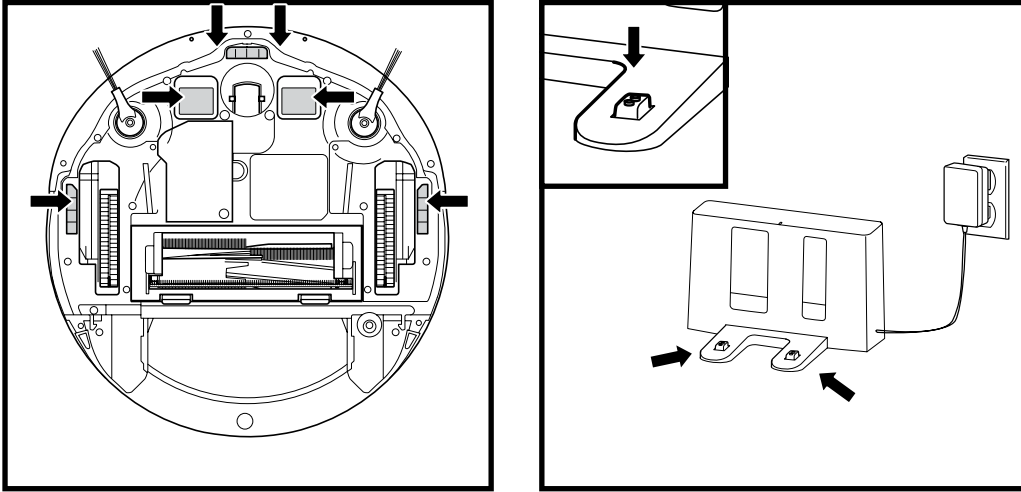
**NOTE:** Replace brushroll every 6 to 12 months, or when visibly worn. See [sharkaccessories.com](http://sharkaccessories.com) for replacement parts.



## MAINTENANCE

### CLEANING SENSORS AND CHARGING CONTACTS

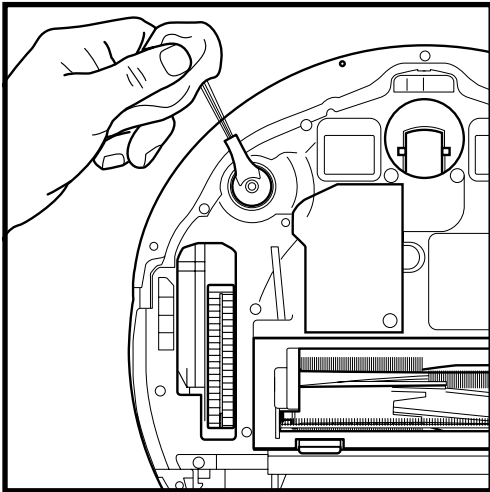
**CLEAN SENSORS AND CHARGING CONTACTS AS NEEDED.** With a dry cloth, gently dust off the sensors and contacts located on the bottom of the robot and on the dock.



**IMPORTANT:** The robot uses cliff sensors to avoid stairs and other steep drops. Sensors may work less effectively when they are dirty. For best results, clean sensors regularly.

### CLEANING SIDE BRUSHES

**CLEAN SIDE BRUSHES AS NEEDED.**



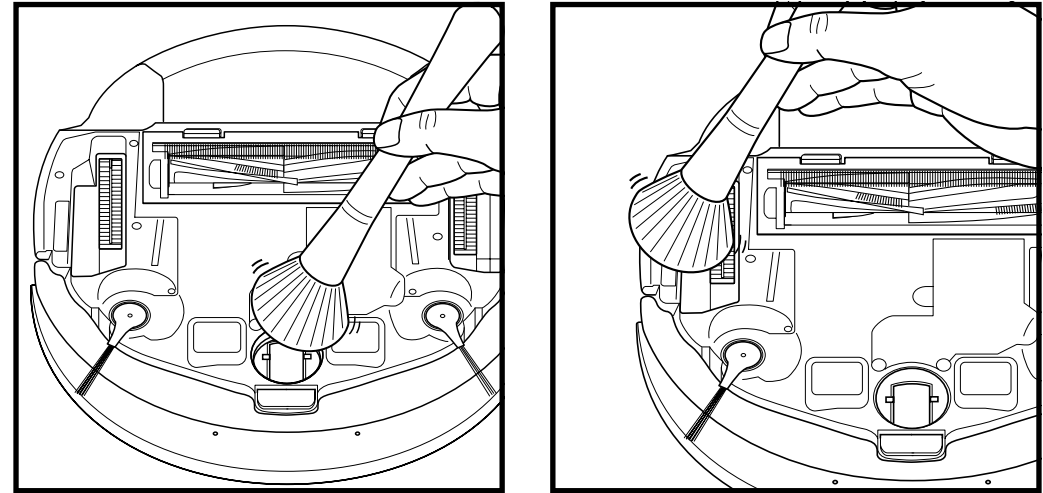
Carefully unwind and remove any string or hair wrapped around brushes.  
Gently wipe brushes with a dry cloth. To reinstall, snap the brushes over the pegs. Spin the brushes manually to make sure they are installed correctly.

**NOTE:** Remove and replace any side brushes that are bent or damaged. To remove a brush, lift it off its peg.

## MAINTENANCE

### CLEANING THE WHEELS

**CLEAN FRONT WHEEL HOUSING PERIODICALLY.**  
See [sharkaccessories.com](http://sharkaccessories.com) for replacement parts.



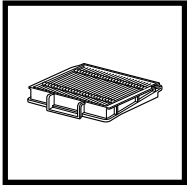
Rotate the front wheel while lightly brushing away dirt and debris. Clean the wheel and the housing around it.

Periodically clean the drive wheels and the housing around them. To clean, rotate each drive wheel while dusting.

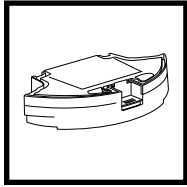
**NOTE:** Brush not included.

## REPLACEMENT PARTS

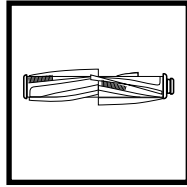
**NOTE:** To order replacement parts and filters, visit [sharkaccessories.com](http://sharkaccessories.com).



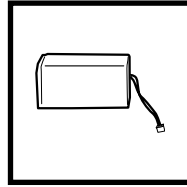
**Washable Filter**



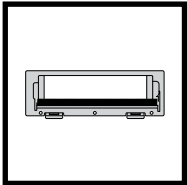
**Robot Dust Bin**



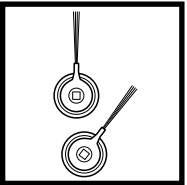
**Brushroll**



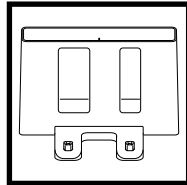
**Battery**



**Brushroll Door**

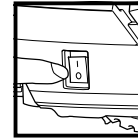


**Side Brushes**



**Charging Dock**

## MAINTENANCE



**CAUTION:** Turn off power before performing any maintenance.

## TROUBLESHOOTING

If any error lights are illuminated or flashing on your Shark® AI Robot, see the error code chart below:

ERROR CODE	SOLUTION
<b>CLEAN (RED) + ! (RED)</b> flashing	Suction motor failure. Remove and empty the dust bin, clean the filters, and remove blockages to ensure nothing is reducing suction.
<b>CLEAN (RED)</b> flashing	Robot may be stuck on an obstacle. Move robot to a new location on a level surface.
<b>DOCK (RED)</b> flashing	Front bumper may be jammed. Clean the bumper and make sure it moves in and out freely.
<b>CLEAN (WHITE) + DOCK (RED)</b> solid	BotBoundary® error. Move your robot to a flat surface away from the magnetic boundary strip and try cleaning again.
<b>CLEAN (RED) + DOCK (WHITE)</b> flashing	Cliff sensor error. Move your robot to a new location and clean its cliff sensors.
<b>CLEAN (RED) + DOCK (RED)</b> flashing	Robot dust bin has been removed and needs to be reinserted.
<b>DOCK (RED) + ! (RED)</b> flashing	Side brush is stuck. Remove any debris from around the side brushes.
<b>CLEAN (RED) + DOCK (RED) + ! (RED)</b> flashing	A drive wheel is stuck. Clean the wheels and remove any debris wrapped around the axles.
<b>CLEAN (WHITE) + DOCK (RED) + ! (RED)</b> flashing	Wheel motor encoder failure. Please turn the power off and back on.
<b>CLEAN (WHITE) + ! (RED)</b> flashing	Blockage in brushroll. Remove any debris from around the brushroll.
<b>CLEAN (RED) + DOCK (WHITE) + ! (RED)</b> flashing	Robot has encountered an error while booting. Please turn the power off and back on.
<b>CLEAN (WHITE) + DOCK (RED)</b> flashing	Robot cannot locate dock. Please pick up your robot and place it on the dock.
<b>BATTERY ICON (RED)</b> flashing	Battery is critically low and needs recharging. If your robot is unable to dock, place the robot manually on the dock.
<b>CLEAN (RED) + DOCK (WHITE) flashing + ! (RED)</b>	Robot is stuck. Please move to a level surface.

For all other issues, please call Customer Service at 1-855-460-5425.

## END-USER LICENSE AGREEMENT FOR SHARKNINJA SOFTWARE

**IMPORTANT: PLEASE READ THE TERMS AND CONDITIONS OF THIS LICENSE AGREEMENT CAREFULLY BEFORE CONTINUING WITH THIS PROGRAM INSTALL OR USE OF THIS PRODUCT:** SharkNinja Operating LLC's ("SharkNinja") End-User License Agreement ("EULA") is a legal agreement between You (either a single entity or an individual) and SharkNinja for SharkNinja's Software Applications, including those installed by You onto your SharkNinja products or already installed on your device, including all firmware (referred hereafter as "SN APPS"). By installing, copying, checking a box, clicking a button confirming your agreement to these terms, or otherwise continuing to use the SN APPS, You agree to be bound by the terms of this EULA. This license agreement represents the entire agreement concerning SN APPS between You and SharkNinja, and it supersedes any prior proposal, representation, or understanding between the parties. If You do not agree to the terms of this EULA, do not install or use the SN APPS or this product. The SN APPS are protected by copyright laws and international copyright treaties, as well as other intellectual property laws and treaties.

### 1. GRANT OF LICENSE. The SN APPS are licensed as follows:

- 1.1 Installation and Use. SharkNinja grants You the right to download, install, and use SN APPS on the specified platform for which the SN APP was designed and in connection with SharkNinja products with which the SN APPS are designed to operate ("SN Devices").
- 1.2 Backup Copies. You may also make a copy of SN APPS downloaded and installed by You for backup and archival purposes.
2. DESCRIPTION OF OTHER RIGHTS AND LIMITATIONS.
  - 2.1 Maintenance of Copyright Notices. You must not remove or alter any copyright notices on any and all copies of the SN APPS.
  - 2.2 Distribution. You may not distribute copies of the SN APPS to third parties.
  - 2.3 Prohibition on Reverse Engineering, Decompilation, and Disassembly. You may not reverse engineer, decompile, or disassemble SN APPS, except and only to the extent that such activity is expressly permitted by applicable law notwithstanding this limitation.
  - 2.4 Rental. You may not rent, lease, or lend SN APPS without written permission from SharkNinja.
  - 2.5 NOT FOR RESALE SOFTWARE. Applications identified as "Not for Resale" or "NFR," may not be resold, transferred, or used for any purpose other than demonstration, test, or evaluation.
  - 2.6 Support Services. SharkNinja may provide You with support services related to SN APPS ("Support Services"). Any supplemental software code provided to You as part of the Support Services shall be considered part of SN APPS and subject to the terms and conditions of this EULA.
  - 2.7 Compliance with Applicable Laws. You must comply with all applicable laws regarding use of SN APPS.

**3. UPDATES.** SharkNinja may provide You with upgrades or updates to SN APPS. This EULA will govern any upgrades provided by SharkNinja that replace and/or supplement SN APPS, unless such upgrade is accompanied by a separate EULA, in which case the terms of that EULA will govern. If You decide not to download and use an upgrade or update provided by SharkNinja, You understand that You could put SN Apps at risk to serious security threats or cause SN Apps to become unusable or unstable.

**4. DATA AND PRIVACY.** SharkNinja is committed to ensuring your privacy by adhering to high standards of fairness and integrity. We are committed to keeping our customers informed about how we use the information we gather from You through the use of each of our websites or SN APPS. Our privacy practices are described in SharkNinja's Privacy Policy, as well as in separate notices given when an app, product, or service is purchased or downloaded. By using SN APPS or providing us with your personal information, You are accepting and consenting to the practices, terms, and conditions described in SharkNinja's Privacy Policy. At all times your information will be treated in accordance with the SharkNinja Privacy Policy, which is incorporated by reference into this EULA and can be viewed at the following URL: <http://www.sharkninja.com/privacypolicy>.

### 5. THIRD-PARTY APPLICATION LIBRARIES AND EMBEDDED SOFTWARE.

- 5.1 You acknowledge that Ayla Networks, Inc. ("Ayla") has provided certain application libraries that have been embedded into SN APPS ("Ayla Application Libraries") and enables SN Devices to connect to the Ayla Cloud Service ("Ayla Embedded Software").
- 5.2 You will not use the Ayla Application Libraries except as an incorporated portion of SN APPS, unmodified from the form provided to You.
- 5.3 You will not use the Ayla Embedded Software except as an incorporated portion of SN Devices, unmodified from the form provided to You.
- 5.4 You will not modify, adapt, translate, or create derivative works based on, or decompile, disassemble, reverse engineer, or otherwise attempt to derive the source code or underlying algorithms of, the Ayla Application Libraries or the Ayla Embedded Software.
- 5.5 SharkNinja retains all ownership of SN APPS (and the Ayla Application Libraries contained therein) and any software installed on SN Devices (including the Ayla Embedded Software) and only a license thereto is granted to You for use in connection with the SN APPS and SN Devices.

## END-USER LICENSE AGREEMENT FOR SHARKNINJA SOFTWARE

5.6 You will not use the Ayla Application Libraries or Ayla Embedded Software to attempt to gain unauthorized access to or use of the systems/services of SharkNinja's other licensors; nor will You transmit viruses, worms, Trojan horses, time bombs, spyware, malware, cancelbots, passive collection mechanisms, robots, data mining software, or any other malicious or invasive code or program into the systems/services of SharkNinja's other licensors.

5.7 You will not use the Ayla Application Libraries or Ayla Embedded Software to interfere with, breach, or circumvent any security feature, authentication feature, or any other feature that restricts or enforces limitations on the use of, or access to, the systems/services of SharkNinja's other licensors.

5.8 You will not probe, attack, scan, or test the vulnerability of the systems/services of SharkNinja's other licensors.

5.9 SharkNinja's other licensors of the SN APPS, Ayla Application Libraries, and the Ayla Embedded Software are the express third-party beneficiaries of this EULA, and the provisions of this Section of this EULA are made expressly for the benefit of such licensors, and are enforceable by such licensors.

**6. TERMINATION.** Without prejudice to any other rights, SharkNinja may terminate this EULA if You fail to comply with the terms and conditions of this EULA. In such event, You must destroy all copies of SN APPS in your possession.

**7. COPYRIGHT.** All title, including but not limited to copyrights, in and to SN APPS and any copies thereof are owned by SharkNinja or its suppliers. All title and intellectual property rights in and to the content which may be accessed through use of SN APPS are the property of the respective content owner and may be protected by applicable copyright or other intellectual property laws and treaties. This EULA grants You no rights to use such content. All rights not expressly granted are reserved by SharkNinja.

**8. OPEN SOURCE SOFTWARE.** You hereby acknowledge that SN APPS may contain software that is subject to "open source" or "free software" licenses ("Open Source Software"). The license granted by this EULA does not apply to Open Source Software contained in the SN APPS. Rather, the terms and conditions in the applicable Open Source Software license shall apply to the Open Source Software. Nothing in this EULA limits your rights under, or grants You rights that supersede, any Open Source Software license. You acknowledge that the Open Source Software license is solely between You and the applicable licensor of the Open Source Software. To the extent the terms of the licenses applicable to the Open Source Software require SharkNinja to provide the Open Source Software, in either source or executable form, or to provide copies of applicable license terms or other required information, You may obtain a copy of the software by contacting SharkNinja at the below physical address. Additional information about the Open Source Software, and its terms of use, may be found at [www.sharkclean.com/opensource](http://www.sharkclean.com/opensource).

**9. NO WARRANTIES.** SharkNinja expressly disclaims any warranty for SN APPS, Ayla Application Libraries, or Ayla Embedded Software. SN APPS, Ayla Application Libraries, and Ayla Embedded Software are provided 'As Is' without any express or implied warranty of any kind, including but not limited to any warranties of merchantability, noninfringement, fitness of a particular purpose, or title. SharkNinja does not warrant or assume responsibility for the accuracy or completeness of any information, text, graphics, links, or other items contained within the SN APPS. SharkNinja makes no warranties respecting any harm that may be caused by the transmission of a computer virus, worm, logic bomb, or other such computer program. SharkNinja further expressly disclaims any warranty or representation to any third party.

**10. LIMITATION OF LIABILITY.** In no event shall SharkNinja or its suppliers be liable for any special, incidental, punitive, indirect, or consequential damages whatsoever (including, but not limited to, damages for loss of profits or confidential or other information, for business interruption, for personal injury, for loss of privacy, for failure to meet any duty including of good faith or of reasonable care, for negligence, and for any other pecuniary or other loss whatsoever) arising out of or in any way related to the use of or inability to use SN Devices or SN APPS, the provision of or failure to provide support or other services, information, software, and related content through the product or otherwise arising out of the use of SN APPS, or otherwise under or in connection with any provision of this EULA, even in the event of the fault, tort (including negligence), strict liability, breach of contract, or breach of warranty of SharkNinja or any supplier, and even if SharkNinja or any supplier has been advised of the possibility of such damages. SharkNinja shall have no liability with respect to the content of the SN APPS or any part thereof, including but not limited to errors or omissions contained therein, libel, infringements of rights of publicity, privacy, trademark rights, business interruption, personal injury, loss of privacy, moral rights, or the disclosure of confidential information.

**11. APPLICABLE LAW.** The laws of the Commonwealth of Massachusetts will govern this EULA and You hereby consent to exclusive jurisdiction and venue in the state and federal courts sitting in the Commonwealth of Massachusetts.

**12. ASSIGNMENT.** SharkNinja may assign this EULA without notice to Licensor.

**13. ENTIRE AGREEMENT.** This EULA (including any addendum or amendment to this EULA which is included with the SN Devices) is the entire agreement between You and SharkNinja relating to the SN APPS and supersedes all prior or contemporaneous oral or written communications, proposals and representations with respect to the SN APPS or any other subject matter covered by this EULA. To the extent the terms of any SharkNinja policies or programs for support services conflict with the terms of this EULA, the terms of this EULA shall control.

If You have questions regarding this EULA, please contact SharkNinja at 89 A Street, Suite 100, Needham, MA 02494.

## ONE (1) YEAR LIMITED WARRANTY

The One (1) Year Limited Warranty applies to purchases made from authorized retailers of **SharkNinja Operating LLC**. Warranty coverage applies to the original owner and to the original product only and is not transferable.

SharkNinja warrants that the unit shall be free from defects in material and workmanship for a period of one (1) year from the date of purchase when it is used under normal household conditions and maintained according to the requirements outlined in the Owner's Guide, subject to the following conditions and exclusions:

### What is covered by this warranty?

1. The original unit and/or non-wearable components deemed defective, in SharkNinja's sole discretion, will be repaired or replaced up to one (1) year from the original purchase date.
2. In the event a replacement unit is issued, the warranty coverage ends six (6) months following the receipt date of the replacement unit or the remainder of the existing warranty, whichever is later. SharkNinja reserves the right to replace the unit with one of equal or greater value.

### What is not covered by this warranty?

1. Normal wear and tear of wearable parts (such as foam filters, filters, etc.), which require regular maintenance and/or replacement to ensure the proper functioning of your unit, are not covered by this warranty. Replacement parts are available for purchase at [sharkaccessories.com](http://sharkaccessories.com).
2. Any unit that has been tampered with or used for commercial purposes.
3. Damage caused by misuse (e.g., vacuuming up water or other liquids), abuse, negligent handling, failure to perform required maintenance (e.g., not cleaning the filters), or damage due to mishandling in transit.
4. Consequential and incidental damages.
5. Defects caused by repair persons not authorized by SharkNinja. These defects include damages caused in the process of shipping, altering, or repairing the SharkNinja product (or any of its parts) when the repair is performed by a repair person not authorized by SharkNinja.
6. Products purchased, used, or operated outside North America.

### How to get service

If your appliance fails to operate properly while in use under normal household conditions within the warranty period, visit [sharkclean.com/support](http://sharkclean.com/support) for product care and maintenance self-help. Our Customer Service Specialists are also available at **1-855-460-5425** to assist with product support and warranty service options, including the possibility of upgrading to our VIP warranty service options for select product categories. Please register your product and have it with you when contacting Customer Service.

SharkNinja will cover the cost for the customer to send in the unit to us for repair or replacement. A fee of \$24.95 (subject to change) will be charged when SharkNinja ships the repaired or replacement unit.


### How to initiate a warranty claim

You must call **1-855-460-5425** to initiate a warranty claim. You will need the receipt as proof of purchase. A Customer Service Specialist will provide you with return and packing instruction information.

### How state law applies

This warranty gives you specific legal rights, and you also may have other rights that vary from state to state. Some states do not permit the exclusion or limitation of incidental or consequential damages, so the above may not apply to you.

## REGISTER YOUR PURCHASE

 [registryyourshark.com](http://registryyourshark.com)



## RECORD THIS INFORMATION

Model Number: \_\_\_\_\_

Date Code: \_\_\_\_\_

Date of Purchase: \_\_\_\_\_  
(Keep receipt)

Store of Purchase: \_\_\_\_\_

**TIP:** You can find the model and serial numbers on the QR code labels on the bottom of the robot and battery.

## EXPECTED PERFORMANCE

Expected runtime: 60 minutes

Expected charging time: 6 hours



### FCC WARNINGS

This equipment has been tested and found to comply with the limits for a Class B digital device, pursuant to parts 15 of the FCC Rules. These limits are designed to provide reasonable protection against harmful interference in a residential installation. This equipment generates, uses, and can radiate radio frequency energy and, if not installed and accordance with the instructions, may cause harmful interference to radio communications. However, there is no guarantee that interference will not occur in a particular installation. If this equipment does cause harmful interference to radio or television reception, which can be determined by turning the equipment off and on, the user is encouraged to try to correct the interference by one or more of the following measures:

- Reorient or relocate the receiving antenna.
- Increase the separation between the equipment and receiver.
- Connect the equipment into an outlet on a circuit different from that to which the receiver is connected.
- Consult the dealer or an experienced radio/TV technician for help.

This Device complies with part 15 of the FCC rules. Operation is subject to the following conditions:

1 This device may not cause harmful interference

2 This device must accept any interference received, including interference that may cause undesired operation.

Changes or modifications not expressly approved by the party responsible for compliance could void the user's authority to operate this device.



### BATTERY REMOVAL AND DISPOSAL

This product uses a battery. When the battery no longer holds a charge, it should be removed from the vacuum and recycled. **DO NOT** incinerate or compost the battery.

When your lithium-ion battery needs to be replaced, dispose of it or recycle it in accordance with local ordinances or regulations. In some areas, it is illegal to place spent lithium-ion batteries in the trash or in a municipal solid waste stream. Return spent battery to an authorized recycling center or to retailer for recycling. Contact your local recycling center for information on where to drop off the spent battery.

**For more information on battery removal for disposal, please visit [sharkclean.com/batterysupport](http://sharkclean.com/batterysupport).**

The RBRC™ (Rechargeable Battery Recycling Corporation) seal on the lithium-ion battery indicates that the costs to recycle the battery at the end of its useful life have already been paid by SharkNinja. In some areas, it is illegal to place spent lithium-ion batteries in the trash or municipal solid waste stream and the RBRC program provides an environmentally conscious alternative.

RBRC, in cooperation with SharkNinja and other battery users, has established programs in the United States and Canada to facilitate the collection of spent lithium-ion batteries. Help protect our environment and conserve natural resources by returning the spent lithium-ion battery to an authorized SharkNinja service center or to your local retailer for recycling. You may also contact your local recycling center for information on where to drop off the spent battery, or call 1-800-798-7398.

# CONSIGNES DE SÉCURITÉ IMPORTANTES

VEUILLEZ LES LIRE ATTENTIVEMENT AVANT L'UTILISATION • POUR UN USAGE DOMESTIQUE SEULEMENT

Si le cordon d'alimentation du chargeur ne s'insère pas à fond dans la prise de courant, inversez alors le sens de la fiche. Si elle ne s'insère toujours pas, communiquez avec un électricien qualifié. **NE FORCEZ PAS** pour insérer la fiche dans la prise et ne tentez pas de la modifier.

## ⚠ AVERTISSEMENT

Afin de réduire les risques d'incendie, de décharges électriques, de blessure ou de dommage matériel :

### AVERTISSEMENTS GÉNÉRAUX

Lors de l'utilisation d'un appareil électrique, il faut toujours suivre les précautions de base, y compris les suivantes :

1. Cet appareil comprend l'aspirateur robot et une station de recharge ainsi qu'un bloc d'alimentation. Ces composants comportent des raccordements électriques, du filage électrique et des pièces amovibles pouvant exposer l'utilisateur à certains risques.
2. Avant chaque utilisation, inspectez soigneusement toutes les pièces afin de déceler tout dommage. Si une pièce est endommagée, cessez son utilisation.
3. Utilisez uniquement des pièces de recharge identiques.
4. Cet aspirateur robot ne renferme aucune pièce qui peut être réparée.
5. Utilisez cet appareil uniquement aux fins décrites dans ce manuel. **N'UTILISEZ PAS** l'aspirateur robot pour un usage autre que ceux décrits dans le présent manuel.
6. À l'exception des filtres, **N'EXPOSEZ** aucune des pièces de l'aspirateur robot à l'eau ou à d'autres liquides.

### AVERTISSEMENTS CONCERNANT L'UTILISATION

7. Cet appareil peut être utilisé par des personnes dont les capacités physiques, sensorielles ou mentales sont réduites ou qui manquent d'expérience et de connaissances si ces personnes sont supervisées ou informées sur l'utilisation sécuritaire de l'appareil et si elles comprennent les dangers possibles.
  - a) Les enfants ne doivent pas jouer avec l'appareil.
  - b) Les enfants ne peuvent pas nettoyer ni entretenir l'appareil sans supervision.
8. Éteignez toujours l'aspirateur robot avant d'insérer ou de retirer le filtre ou le récipient à poussière.
9. **NE MANIPULEZ PAS** la prise, la station de recharge, le cordon d'alimentation ou l'aspirateur robot avec les mains mouillées. Les enfants ne peuvent pas nettoyer ni entretenir l'appareil sans supervision.
10. **N'UTILISEZ PAS** l'appareil sans que le récipient à poussière du robot et tous les filtres soient bien en place.

11. **N'ENDOMMAGEZ PAS** le cordon d'alimentation :

- a) **N'UTILISEZ PAS** le cordon comme une poignée pour porter ou tirer la station de recharge.
- b) **NE DÉBRANCHEZ PAS** l'appareil en tirant le cordon d'alimentation. Agrippez la fiche non le cordon.
- c) **NE FERMEZ PAS** une porte sur le cordon, ne tirez pas le cordon sur des coins pointus et ne laissez pas le cordon près de surfaces chaudes.

12. **ÉVITEZ** d'insérer des objets dans les ouvertures de la buse ou de tout autre accessoire. **N'UTILISEZ PAS** l'appareil si une ouverture est obstruée. Veillez à ce que les ouvertures ne soient pas bloquées par de la poussière, de la peluche, des cheveux ou tout autre élément qui pourrait gêner la circulation de l'air.

13. **N'UTILISEZ PAS** l'aspirateur robot si son débit d'air est obstrué. Si les conduits d'air se bloquent, éteignez l'aspirateur et retirez toutes les obstructions avant d'allumer l'appareil de nouveau.

14. Tenez la buse et tous les orifices d'aspiration éloignés des cheveux, du visage, des doigts, des pieds déchaussés ou de vêtements amples.

15. **N'UTILISEZ PAS** l'aspirateur robot s'il ne fonctionne pas comme prévu, ou s'il a été échappé sur le sol, endommagé, laissé à l'extérieur ou immergé.

16. **NE PLACEZ PAS** l'aspirateur sur des surfaces instables,

17. Lorsque le robot est déplacé manuellement vers un nouvel emplacement, il doit être placé à au moins 45 cm de tout escalier ou de toute chute.

18. **N'UTILISEZ PAS** l'appareil pour aspirer :

- a) Des liquides déversés
- b) De gros objets
- c) Des objets durs ou tranchants (verre, clous, vis ou pièces de monnaie)
- d) De grandes quantités de poussière (poussière de cloison sèche, cendres ou braises de foyer). **N'UTILISEZ PAS** l'aspirateur comme accessoire d'un outil électrique pour l'aspiration de la poussière.
- e) Des objets produisant de la fumée ou à combustion (braises chaudes, embouts de cigarettes ou allumettes)

- f) Des matières inflammables ou combustibles (essence à briquet, essence ou kérosène)
- g) Des matières toxiques (eau de Javel, ammoniacale ou produit débouchant)

19. **N'UTILISEZ PAS** dans les zones suivantes :
  - a) Zones extérieures à proximité de foyers dont la porte n'est pas obstruée
  - b) Dans des endroits fermés pouvant contenir des matières explosives, ou des fumées ou vapeurs toxiques (essence à briquet, essence, kérosène, peinture, diluants à peinture, produits de traitement antimite ou poussières inflammables)
  - c) Dans une zone avec chauffage d'appoint
  - d) Près des cheminées avec entrées sans obstruction
  - e) Sur des surfaces humides ou glissantes
20. Éteignez l'aspirateur robot avant de procéder à tout ajustement, nettoyage, entretien ou dépannage. Remarque : en position OFF (arrêt) (O), le robot continue de consommer une petite quantité d'énergie.

21. Laissez tous les filtres sécher complètement avant de les remettre dans l'aspirateur robot pour éviter que du liquide ne soit aspiré dans les composants électriques.

22. **NE MODIFIEZ PAS** ni ne tentez de réparer l'aspirateur robot ou la batterie vous-même, à moins d'indication contraire dans ce manuel. **N'UTILISEZ PAS** l'aspirateur s'il a été modifié ou endommagé.

23. Retirez tout liquide renversé ou ayant fui de la base ou du sol, car il pourrait entraîner un risque de choc électrique.

24. Pour que les capteurs de chute de votre robot fonctionnent adéquatement, tous les tapis ou les carpettes doivent être placés à un minimum de 20 cm des escaliers (ou se prolonger de façon continue par-dessus la limite des marches). Si l'extrémité d'un tapis ou d'une carpette à moins de 20 cm des marches ne peut être déplacée, utilisez une lanière BotBoundary® pour bloquer l'accès aux escaliers ou à la limite des chutes. Les lanières BotBoundary ne sont pas incluses avec votre robot mais peuvent être achetées en contactant le service à la clientèle au 1 855 460-5425

### UTILISATION DE LA BATTERIE

25. La batterie est la source d'alimentation de l'aspirateur. Lisez attentivement et respectez les instructions de chargement.
26. Afin d'éviter qu'il ne se mette en marche par erreur, assurez-vous que l'aspirateur est éteint avant de le soulever ou de le transporter. **NE TRANSPORTEZ PAS** l'appareil avec votre doigt sur l'interrupteur d'alimentation.

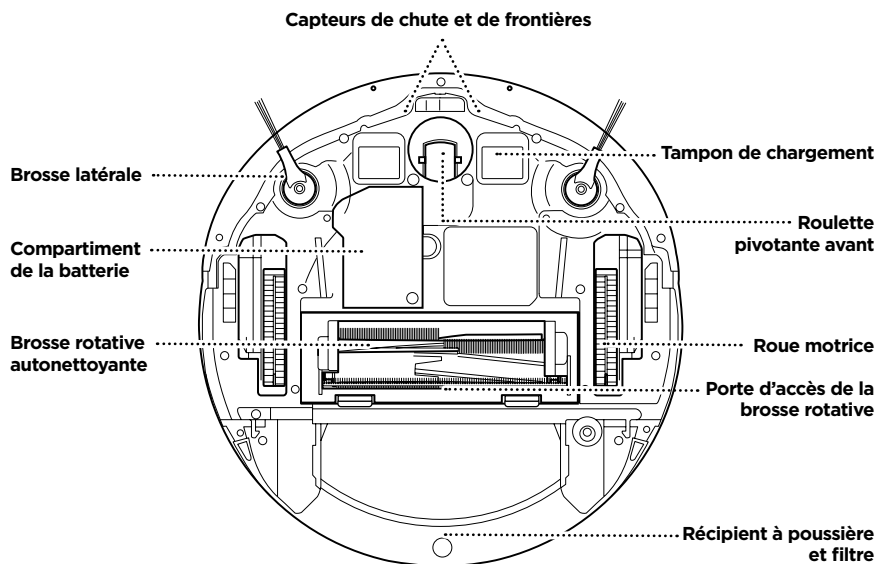
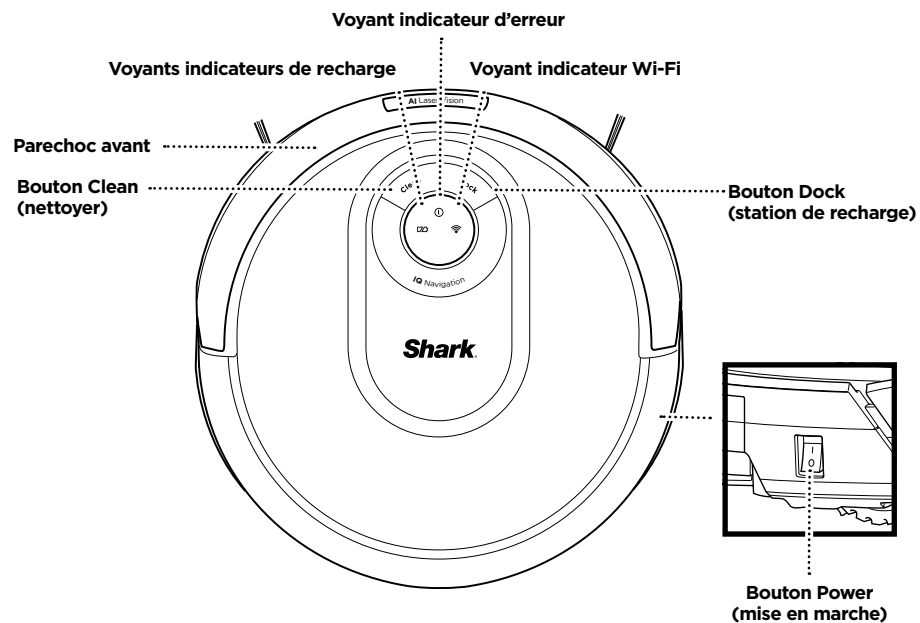
27. Utilisez **UNIQUEMENT** la station de recharge Shark® XDCKRV2000 et la batterie RVBAT850A. L'utilisation d'autres chargeurs ou d'autres batteries que celles-ci pourrait causer un risque d'incendie.
28. Gardez la batterie à l'écart des objets métalliques comme des trombones, de la monnaie, des clés, des clous ou des vis. Court-circuiter les bornes de la batterie augmente le risque d'incendie ou de brûlures.
29. Si la batterie est utilisée de façon inappropriée, il se peut que du liquide s'en échappe. Évitez le contact avec ce liquide, car il pourrait causer des irritations ou des brûlures. En cas de contact, rincez à l'eau. Si le liquide entre en contact avec les yeux, obtenez de l'aide médicale.
30. L'aspirateur robot ne doit pas être entreposé, chargé ou utilisé à des températures inférieures à 10 °C ou supérieures à 40 °C. Assurez-vous que la batterie et l'aspirateur sont à température pièce avant de les recharger ou de les utiliser. L'exposition du robot ou de la batterie à des températures hors de la plage indiquée peut endommager l'appareil et augmenter le risque d'incendie.
31. **N'EXPOSEZ PAS** l'aspirateur robot ou la batterie au feu ou à une température supérieure à 130 °C, car cela peut provoquer une explosion.
32. Les batteries non rechargeables ne peuvent pas être rechargées.

### LANIÈRES BOTBOUNDARY®

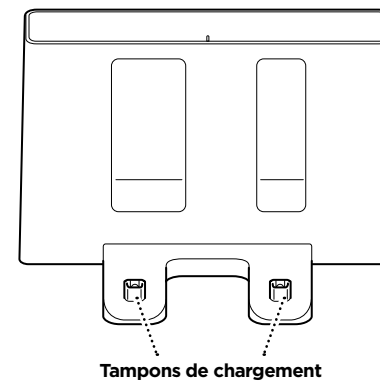
33. **NE PLACEZ PAS** les lanières BotBoundary sous les tapis ou les carpettes.
34. **NE PLACEZ PAS** les lanières BotBoundary l'une sur l'autre.
35. Utilisez toujours des lanières BotBoundary autour des planchers et surfaces réfléchissants.
36. Les lanières BotBoundary doivent toujours être utilisées près des marches recouvertes de tapis.
37. **NE PLACEZ PAS** les lanières BotBoundary à moins de trois mètres de la station de recharge.
38. Pour que les capteurs de chute de votre robot fonctionnent adéquatement, tous les tapis ou les carpettes doivent être placés à un minimum de 20 cm des escaliers (ou se prolonger de façon continue par-dessus la limite des marches). Si l'extrémité d'un tapis ou d'une carpette qui est à moins de 20 cm des marches ne peut être déplacée, vous devez utiliser une lanière BotBoundary pour bloquer l'accès aux escaliers.

## CONSERVEZ CES INSTRUCTIONS

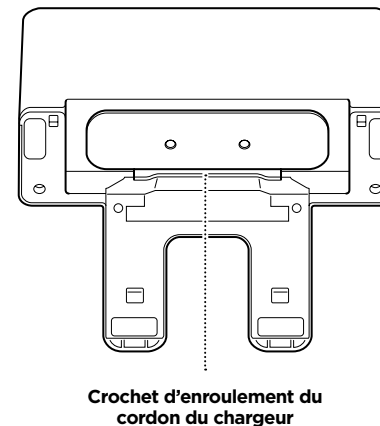
Pour les mises en garde et les avertissements les plus récents, allez à [sharkclean.com/robothelp](https://sharkclean.com/robothelp)



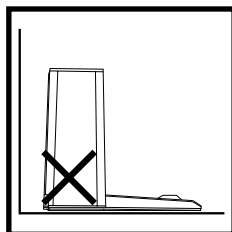
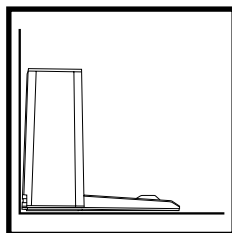
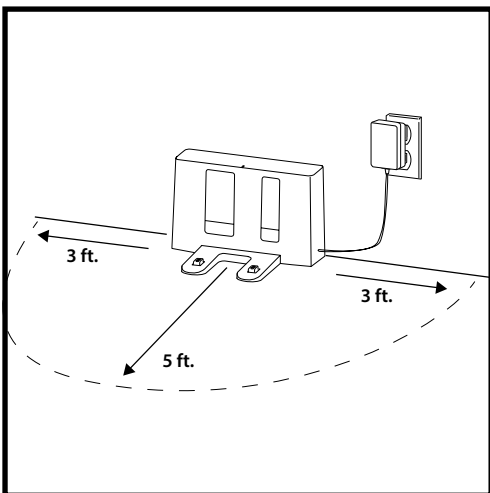
PARTIE AVANT DE LA DE LA STATION DE RECHARGE



PARTIE INFÉRIEURE DE LA STATION DE RECHARGE

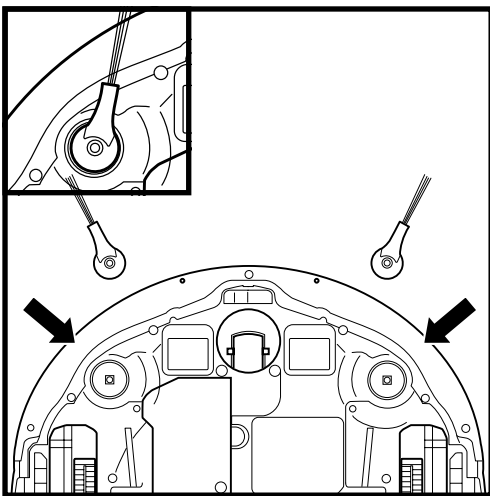


## CONFIGURATION DE LA STATION DE RECHARGE



- Choisissez un emplacement permanent pour la **station de recharge**, car toutes les fois que vous la déplacez, votre robot devra de nouveau cartographier complètement votre maison.
- Placez la station de recharge, dos contre un mur. Choisissez une surface plane sur le plancher, dans une zone centrale. Ne placez pas contre une plinthe ou près d'un élément chauffant.
- Déplacez tous les objets situés à moins de 1 m de chaque côté de la station de recharge, ou à moins de 1,5 m de l'avant de la station de recharge.
- Branchez la station de recharge. Le voyant indicateur devient vert lorsque la station de recharge est branchée.

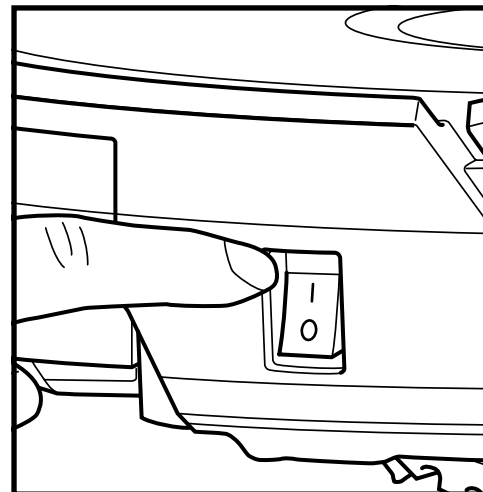
## INSTALLATION DES BROSSES LATÉRALES



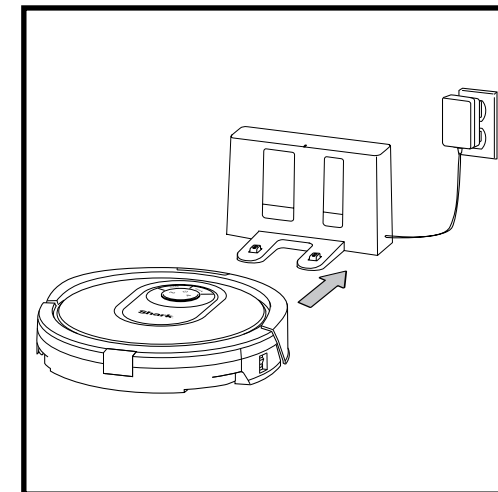
Insérez les deux **brosses latérales** comprises dans les chevilles carrées logées sur le dessous du robot.

## EN CHARGE

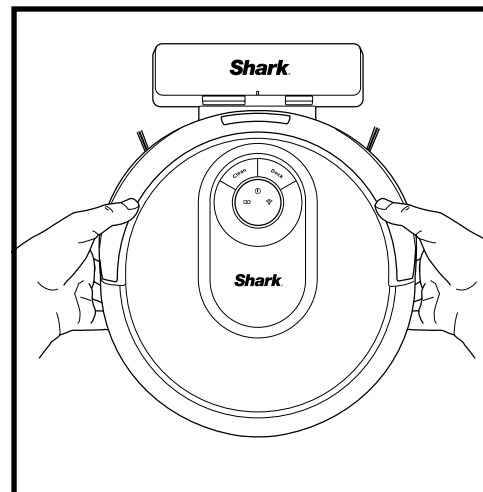
**IMPORTANT :** Le Shark® AI Robot est doté d'une batterie rechargeable préinstallée. Chargez complètement la batterie avant la première utilisation. Il pourrait falloir jusqu'à 6 heures pour une charge complète.



Pour charger le robot, placez-le sur la station de recharge. Mettez le bouton **Power** (mise en marche), situé sur le côté du robot, à la position ON (marche) (1). Le robot émet un signal sonore lorsqu'il commence à se charger.



Lorsque le cycle de nettoyage se termine, ou si la batterie est faible, le robot recherchera la station de recharge. Si le robot ne retourne pas à la station de recharge, la charge de la batterie est peut-être épuisée.

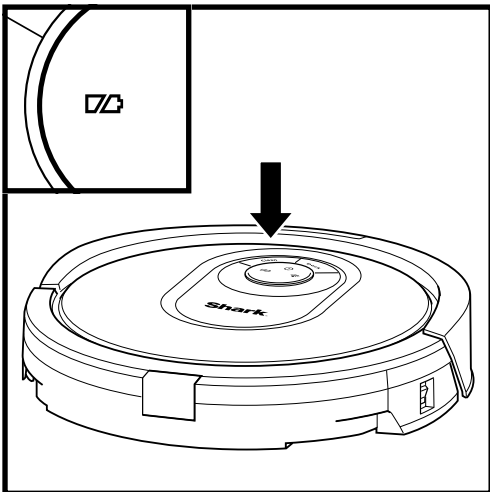


Si le robot n'a plus de charge et ne peut pas retourner à la station de recharge, placez-le vous-même. Le voyant lumineux du socle passera au bleu et le robot émettra un bip lorsque la charge commencera.

**REMARQUE :** Lors du placement manuel du robot sur la station de recharge, assurez-vous que les **contacts de charge**, situés sur le dessous du robot, sont alignés sur les contacts de la station de recharge. Pendant que le robot charge, les deux voyants DEL blancs s'allument en alternance. Une fois l'appareil complètement chargé, des voyants s'allumeront en continu.

**REMARQUE :** Au moment de ramasser le robot, évitez de placer vos doigts entre le parechoc et la base du robot.

## VOYANTS INDICATEURS DE RECHARGE



En cours d'utilisation



Durant la charge (Blanc)



Charge nulle ou éteint



Les voyants indicateurs de recharge blancs indiquent la charge de batterie restante.

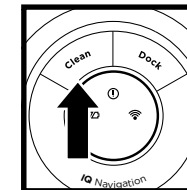
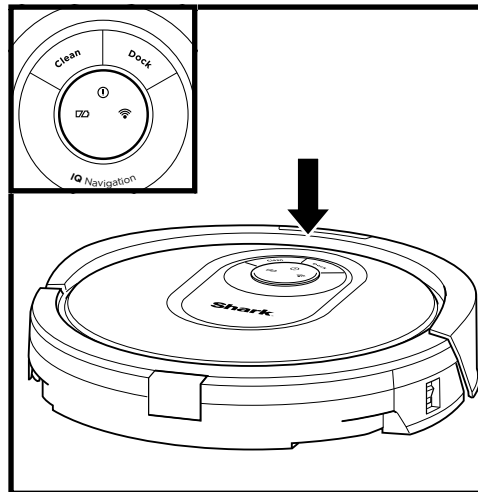
Pendant que le robot charge, les deux voyants DEL blancs s'allument en alternance. Une fois l'appareil complètement chargé, les deux voyants s'allumeront en continu. Il pourrait falloir jusqu'à six heures pour charger entièrement votre robot.

Si le robot est en mode inactif et à l'écart de la station de recharge pendant 10 minutes, il entrera en **Mode veille**. Les voyants indicateurs s'éteignent, mais la batterie et les voyants Wi-Fi restent allumés en mode veille. Réveillez le robot en appuyant sur n'importe quel bouton.

**REMARQUE :** Si le voyant de charge faible clignote en rouge, il n'y a pas assez de charge de batterie pour que le robot puisse revenir à la station. Placez manuellement le robot sur la station de recharge.

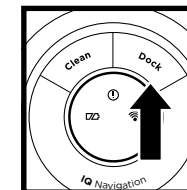
**CONSEIL :** Pour préserver la durée de vie de la batterie lorsque le robot n'est pas utilisé pendant une période prolongée, mettez l'interrupteur d'alimentation en position d'arrêt. Le robot doit être rechargé au moins une fois par trimestre. L'interrupteur doit être en position ON (marche) pour charger le robot.

## BOUTONS ET VOYANTS INDICATEURS



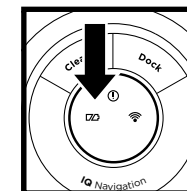
### BOUTON CLEAN (NETTOYER)

Appuyez sur le bouton pour commencer un cycle de nettoyage. Appuyez à nouveau sur le bouton pour l'arrêter.



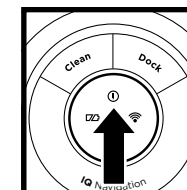
### BOUTON DOCK (STATION DE RECHARGE)

Appuyez pour arrêter le nettoyage et renvoyer l'appareil sur la station de recharge.



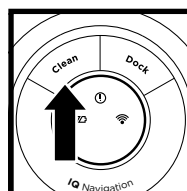
### LES VOYANTS INDICATEURS DE RECHARGE

indiquent la quantité de charge restante dans la batterie.



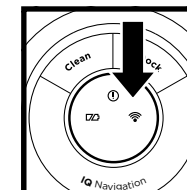
### VOYANT INDICATEUR D'ERREUR « ! »

Consultez la section Dépannage pour voir la liste complète des codes d'erreurs.



### RECHARGE & RESUME (RECHARGER ET CONTINUER)

Appuyez sur le bouton CLEAN (nettoyer) et maintenez-le enfoncé pendant 15 secondes pour activer ou désactiver la fonction Recharge & Resume (recharger et continuer).



### VOYANT INDICATEUR WI-FI

Voyant blanc : connecté au Wi-Fi.  
Voyant rouge : non connecté.  
Voyant blanc clignotant : mode de configuration.  
Aucun voyant : pas encore configuré.

La fonction Recharge & Resume (recharger et continuer) est désactivée par défaut. Activez la fonction Recharge & Resume (recharger et continuer) pour une couverture complète si le plan d'étage de votre maison est supérieur à 140 m<sup>2</sup>. Votre robot retournera à la station de recharge, se rechargera, puis pourra reprendre le nettoyage là où il s'est arrêté.

**IMPORTANT :** Avant de nettoyer une pièce entière pour la première fois, nous vous recommandons de tester d'abord votre appareil sur une petite partie du plancher afin de vous assurer qu'il ne cause pas de rayures.



## PRÉPAREZ VOTRE MAISON

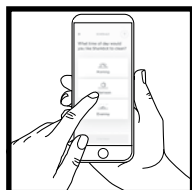
Votre robot utilise une gamme de capteurs pour naviguer autour des murs, des pieds de meuble et d'autres obstacles au fur et à mesure qu'il nettoie. Pour éviter que le robot n'entre dans des zones que vous souhaitez exclure, définissez des No-Go Zones (zones interdites) dans l'application. Pour de meilleurs résultats, préparez votre maison comme indiqué ci-dessous, et planifiez un nettoyage quotidien afin de vous assurer que toutes les zones du sol sont entretenues de façon régulière.

**REMARQUE :** La programmation est l'une des nombreuses fonctions disponibles uniquement dans l'application.



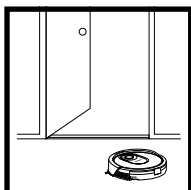
### OBSTRUCTIONS

Retirez les cordons et les petits objets d'une hauteur de moins de 7 cm des planchers et ouvrez les portes intérieures pour une cartographie complète de votre maison.



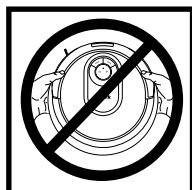
### PROGRAMMATION

Planifiez des nettoyages de toute la maison avec l'application.



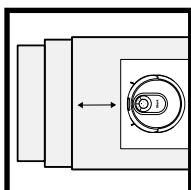
### SEUILS

Votre robot peut franchir la plupart des seuils pour se rendre d'une pièce à l'autre, mais si l'un d'entre eux est trop élevé, créez une zone interdite dans l'application pour le bloquer.



### ÉVITER DE DÉPLACER LE ROBOT ET LA STATION DE RECHARGE

Pendant que le robot s'active au nettoyage, ne le ramassez pas pour le déplacer ou pour le mettre sur la station de recharge : cela nuira à la navigation du robot et à sa capacité de retourner à la station de recharge une fois le nettoyage réalisé.

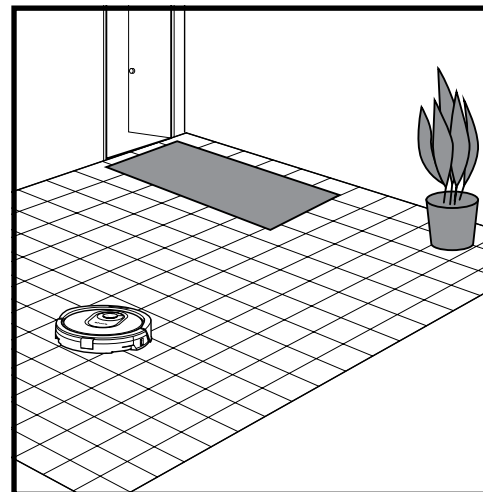


### ESCALIERS

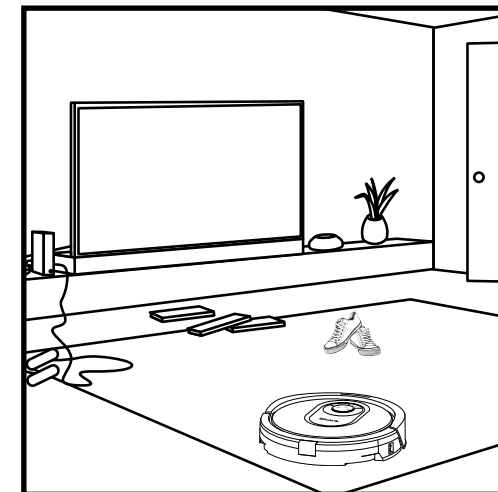
Votre robot est équipé de capteurs de chute pour prévenir les chutes en bas des corniches. Pour que les capteurs de chute fonctionnent adéquatement dans tous les modes, tous les tapis ou les carpettes doivent être placés à un minimum de 20 cm des escaliers (ou se prolonger par-dessus la limite des marches).

## UTILISATION DU SHARK® AI ROBOT

### IQ NAVIGATION™ ET VISION LASER PAR IA



Une fois la configuration terminée, votre robot effectuera un **Explore Run** (un parcours d'exploration) afin de créer une première carte de votre maison. Le robot se déplacera de pièce en pièce pour déterminer les murs, les meubles et les autres obstacles pendant qu'il nettoie. Ce parcours prendra moins de temps qu'un nettoyage complet, car il ne couvre pas tout le sol.



La technologie de détection d'objets du robot l'aide à contourner les obstacles d'une hauteur de moins de 7 cm.

Créez des zones interdites dans l'application pour bloquer les zones dans lesquelles vous ne voulez pas que le robot entre. Vous pouvez créer des zones interdites autour de petits objets ou les utiliser pour bloquer des zones d'une surface élevée.

### MODE DE NETTOYAGE MANUEL

Pour démarrer manuellement un cycle de nettoyage, appuyez sur le bouton **Clean** (nettoyer) situé sur le robot ou dans l'appli mobile. Pour indiquer au robot de retourner immédiatement à la station de recharge, appuyez sur le bouton **DOCK** (station de recharge).

**REMARQUE :** Assurez-vous de charger entièrement le robot avant son premier nettoyage, afin qu'il puisse explorer, créer une carte et nettoyer autant de votre domicile que possible. Il pourrait falloir jusqu'à six heures pour charger entièrement votre robot.

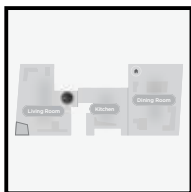
**REMARQUE :** Évitez de déplacer la station de recharge. Si elle est déplacée, le robot risque de ne pas pouvoir retrouver son chemin vers la station de recharge. Si on déplace le robot pendant l'utilisation, il pourrait ne pas être en mesure de suivre son itinéraire de nettoyage intelligent ou retourner à la station de recharge.

## UTILISATION DU SHARK® AI ROBOT

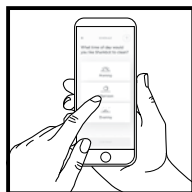
Veuillez visiter [sharkclean.com/app](http://sharkclean.com/app) ou composer le 1 855 460-5425 pour toutes vos questions liées à l'appli.

### UTILISATION DE L'APPLICATION SHARKCLEAN™ ET DES COMMANDES VOCALES

Profitez pleinement des fonctionnalités de votre Shark AI Robot :



- **Recharge and Resume (recharger et continuer)**  
Activez cette fonction pour gérer le nettoyage de plusieurs pièces dans les grandes maisons. Votre robot retournera à la station de recharge, se rechargera, puis pourra reprendre le nettoyage là où il s'est arrêté.



- **Scheduling (programmation)**  
Prévoyez le nettoyage de toute la maison pour une heure précise, une journée donnée.
- **Control From Anywhere (exercer le contrôle de tout endroit)**  
Peu importe où vous êtes, vous contrôlez votre robot.

- **Zone autorisées, zones interdites**  
Au moyen des zones interdites de l'application, maintenez votre robot en dehors des zones que vous souhaitez qu'il évite.

- **Cleaning Reports (rapports de nettoyage)**  
Pour chaque nettoyage de votre robot, votre appli produira un rapport de nettoyage.

Recherchez **Shark Clean** dans la boutique d'applications et téléchargez l'appli sur votre iPhone™ ou Android™.



#### CONFIGURER LA COMMANDE VOCALE AVEC ASSISTANT GOOGLE OU ALEXA AMAZON

Visitez [sharkclean.com/app](http://sharkclean.com/app) pour obtenir des informations de configuration, qui comprennent la manière d'activer la compétence Shark pour Alexa Amazon et l'utilisation avec l'Assistant Google.

Assistant Google :

- « OK Google, dis à Shark de commencer le nettoyage. »
- « OK Google, dis à Shark d'arrêter mon robot. »
- « OK Google, dis à Shark d'envoyer mon robot à la station de recharge. »

Alexa d'Amazon :

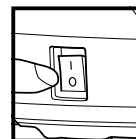
- « Alexa, dis à Shark de commencer le nettoyage. »
- « Alexa, dis à Shark d'arrêter mon robot. »
- « Alexa, dis à Shark d'envoyer mon robot à la station de recharge. »

#### DÉPANNAGE POUR WI-FI

- Pour utiliser l'application, votre téléphone doit être connecté à un réseau 2,4 GHz. L'application fonctionnera seulement sur un réseau 2,4 GHz.
- Les réseaux Wi-Fi domestiques typiques prennent en charge 2,4 GHz ainsi que 5 GHz.
- N'utilisez pas de RPV ni de serveur proxy.
- Assurez-vous que l'isolation Wi-Fi est éteinte sur le routeur.
- Si vous n'arrivez pas à vous connecter, composez le 1 855 460-5425

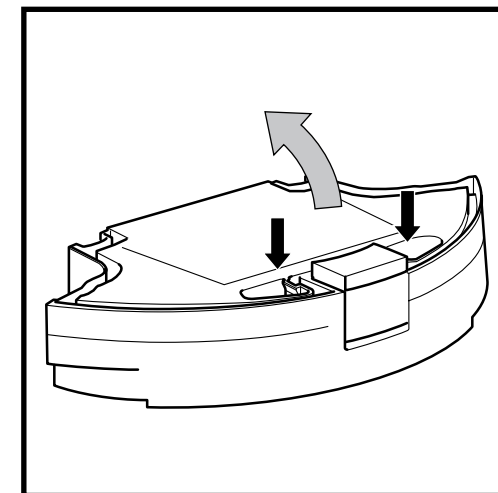
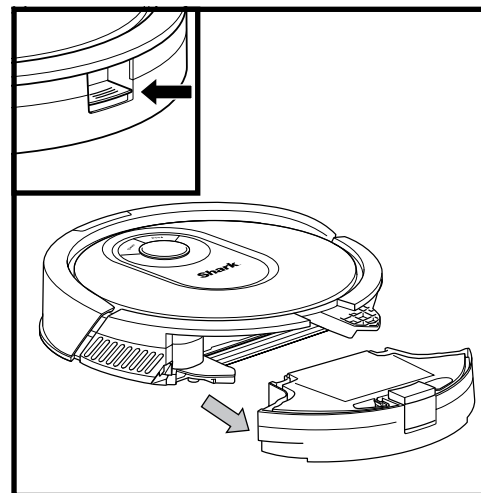
CODE D'ERREUR	PROBLÈME
! (ROUGE) + voyant indicateur Wi-Fi (ROUGE clignotant)	Mauvais mot de passe pour le Wi-Fi
! (Clignote en rouge) + Wi-Fi (ROUGE)	Impossible de trouver le SSID, essayez de connecter à nouveau
! et Wi-Fi (clignote en rouge en même temps)	Impossible de se connecter au Wi-Fi

## ENTRETIEN



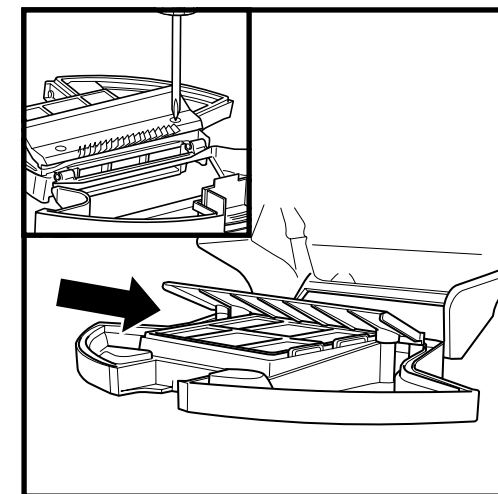
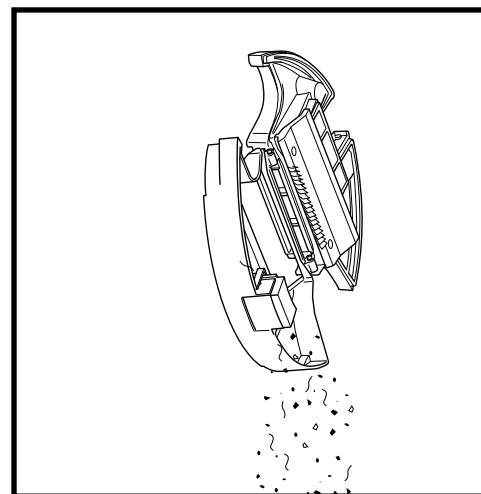
**ATTENTION :** Mettez l'appareil hors tension avant d'effectuer tout entretien.  
**REMARQUE :** en position OFF (arrêt) (O), le robot continue de consommer une petite quantité d'énergie.

### VIDANGE DU RÉCIPENT À POUSSIÈRE



Appuyez sur le **bouton Release (dégager) du récipient à poussière** et faites glisser pour le retirer.

Pour ouvrir le récipient à poussière, appuyez et maintenez le bouton tout en soulevant le couvercle à l'aide des fentes pour les doigts.



Jetez les débris et la poussière aux ordures. Retirez le filtre et lavez le récipient à poussière si nécessaire.

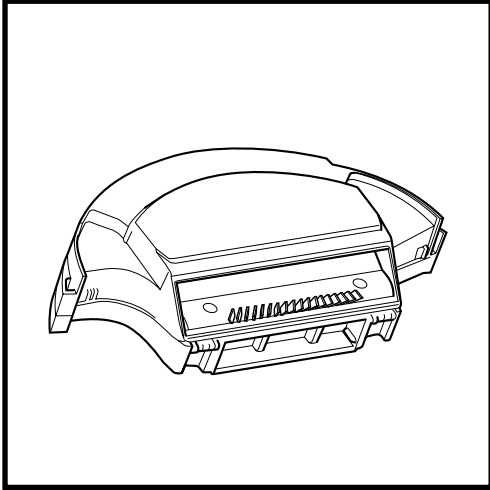
Vérifiez qu'aucun débris ne s'est accumulé entre le filtre et l'écran en plastique.

**REMARQUE :** Assurez-vous de bien insérer le récipient à poussière de manière à ce qu'il s'enclenche en place.

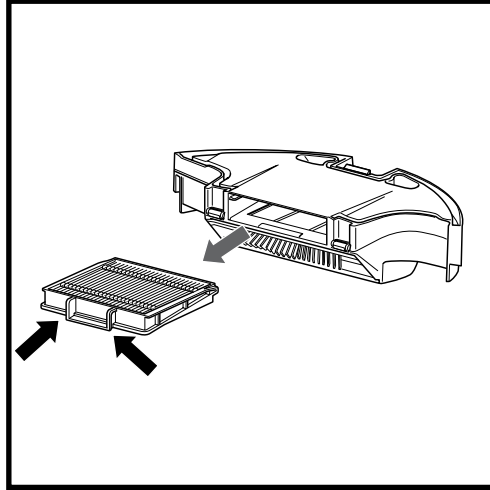
Retirez la grille et éliminez toute accumulation de débris avec un linge sec ou une brosse douce.

NETTOYAGE ET REMPLACEMENT DU FILTRE

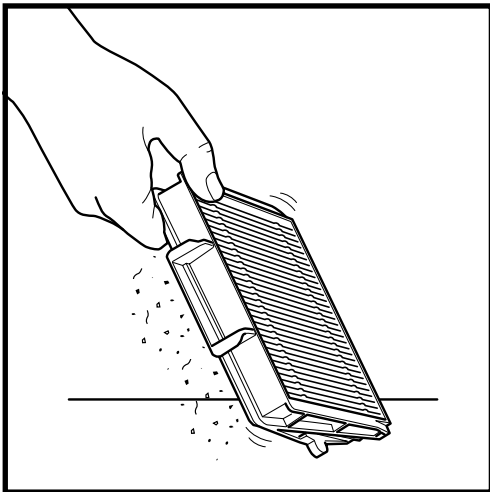
Pour une puissance d'aspiration optimale, nettoyez et remplacez le filtre qui se trouve à l'intérieur du récipient à poussière du robot après chaque usage. **Pour les filtres de remplacement, consultez le site [sharkaccessories.com](http://sharkaccessories.com).**



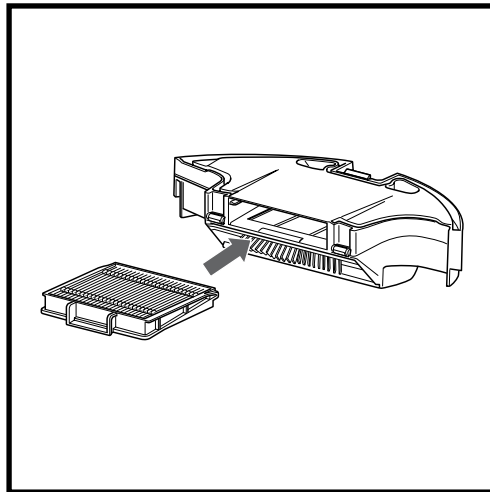
Retirez et videz le récipient à poussière. Retirez tous les poils, cheveux et débris coincés dans le **peigne anti-enchevêtrement** situé à l'arrière du récipient à poussière.



Tirez sur la languette pour retirer le filtre du récipient à poussière.



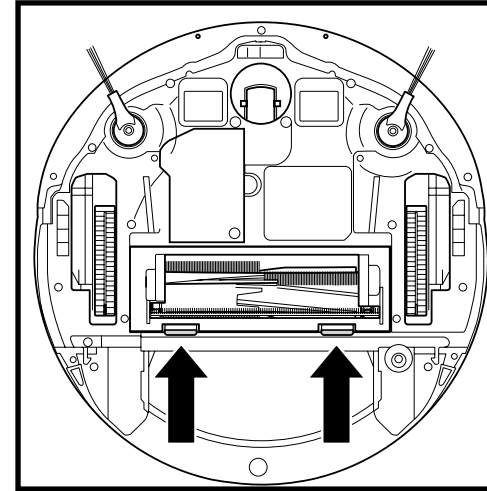
Tapotez légèrement le filtre pour éliminer les débris chaque fois que vous videz le récipient à poussière. Pour un nettoyage en profondeur, rincez le filtre à l'eau une fois par mois. Laissez le filtre sécher à l'air pendant 24 heures avant de le replacer.



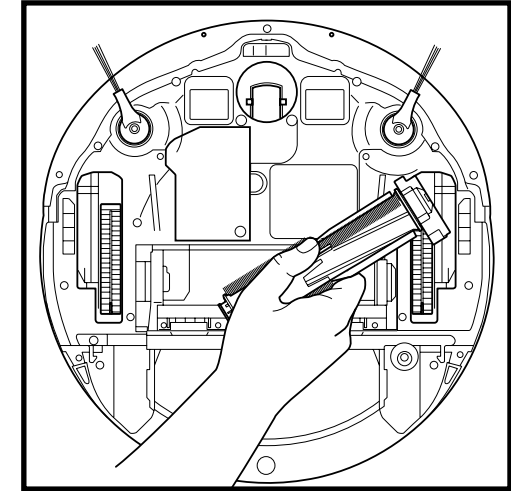
Remettez le filtre dans le récipient à poussière, puis réinsérez le récipient à poussière dans le robot en le faisant glisser jusqu'à ce qu'il s'enclenche.

BROSSE ROTATIVE AUTONETTOYANTE

La **brosse rotative autonettoyante** élimine activement l'enroulement des poils et cheveux pendant que votre robot nettoie. Si des débris restent enroulés autour de la brosse rotative, continuez à faire fonctionner le robot pour laisser le temps à la brosse rotative de s'autonettoyer. S'il reste un enroulement de poils et de cheveux ou des débris après un nettoyage continu, retirez-le doucement de la brosse rotative.



Pour accéder à la brosse rotative, relevez les languettes de la porte de la brosse rotative, puis retirez la porte.



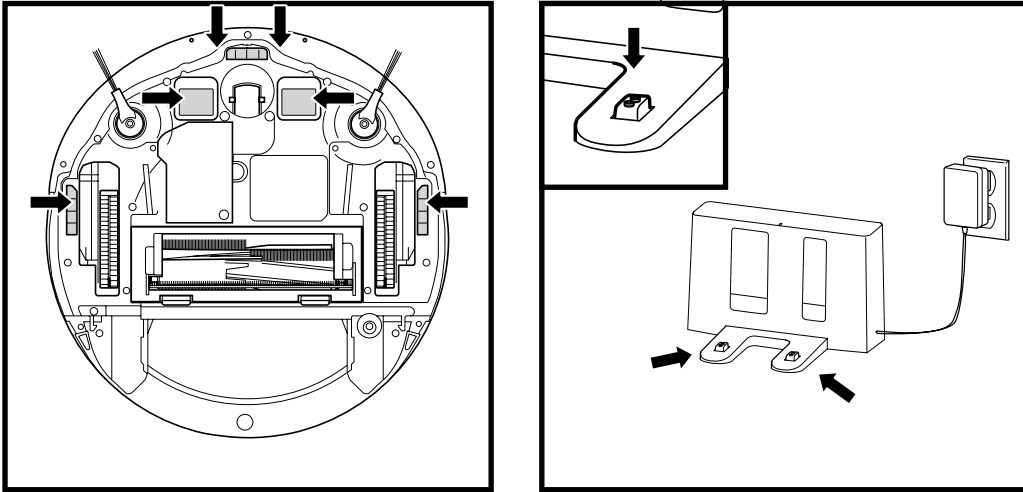
Soulevez la brosse rotative et enlevez les débris. Réinstallez la brosse rotative en insérant la partie plate en premier. Fermez la porte d'accès à la brosse rotative et appuyez sur celle-ci jusqu'à ce que les deux côtés s'enclenchent.

**REMARQUE :** Remplacez la brosse rotative tous les 6 à 12 mois ou lorsqu'elle est visiblement usée. Pour les pièces de rechange, consultez le site [sharkaccessories.com](http://sharkaccessories.com).

## ENTRETIEN

### NETTOYAGE DES CAPTEURS ET DES CONTACTS DE CHARGEMENT

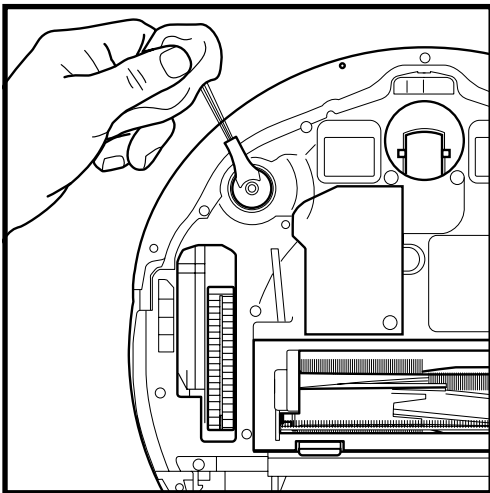
**NETTOYEZ LES CAPTEURS ET LES CONTACTS DE CHARGEMENT AU BESOIN.** Avec un chiffon sec, essuyez doucement les capteurs et les contacts situés sur le dessous du robot et sur la station de recharge.



**IMPORTANT :** Le robot utilise des capteurs de chute pour éviter tout escalier et toute chute brutale. Les capteurs fonctionnent moins efficacement lorsqu'ils sont sales. Pour de meilleurs résultats, nettoyez les capteurs régulièrement.

### NETTOYAGE DES BROSSES LATÉRALES

**NETTOYEZ LES BROSSES LATÉRALES AU BESOIN.**



Déroulez soigneusement tout fil ou cheveu enroulé autour des brosses rotatives.

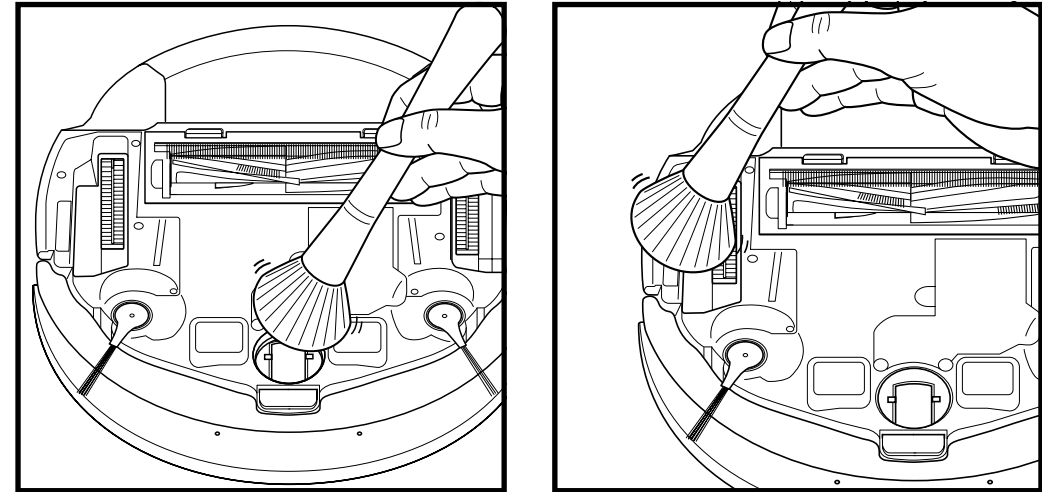
Essuyez délicatement les brosses avec un linge sec. Pour la réinstallation, enclenchez les brosses sur les chevilles. Tournez les brosses manuellement pour s'assurer de leur bonne installation.

**REMARQUE :** Retirez et remplacez les brosses latérales courbées ou endommagées. Pour retirer la brosse, soulevez-la de sa cheville.

## ENTRETIEN

### NETTOYAGE DES ROULETTES

**NETTOYEZ LA CAVITÉ DE LA ROUE AVANT RÉGULIÈREMENT.**  
Pour les pièces de rechange, consultez le site [sharkaccessories.com](http://sharkaccessories.com).



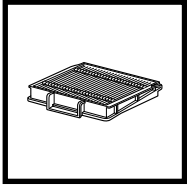
Faites tourner la roue avant tout en balayant légèrement la saleté et les débris. Nettoyez la roue et la cavité qui l'entoure.

Nettoyez périodiquement les roues motrices et leur cavité. Pour nettoyer, tournez chaque roue motrice pendant l'époussetage.

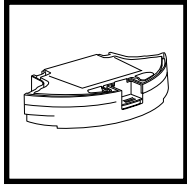
**REMARQUE :** Brosse non comprise.

## PIÈCES DE RECHANGE

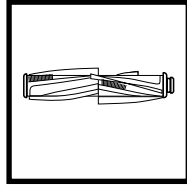
**REMARQUE :** Pour commander des pièces de rechange ou des filtres, visitez le [sharkaccessories.com](http://sharkaccessories.com).



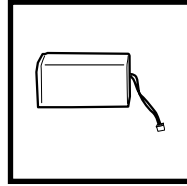
Filtre lavable



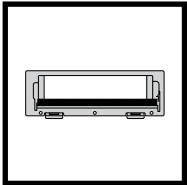
Réceptacle à poussière du robot



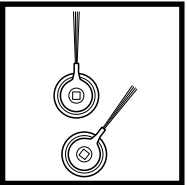
Brosse rotative



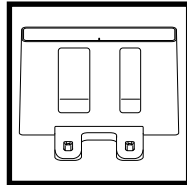
Batterie



Porte de la brosse rotative



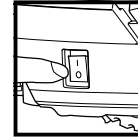
Brosses latérales



Station de recharge

**REMARQUE :** Pour commander des pièces de rechange ou des filtres, visitez le [sharkaccessories.com](http://sharkaccessories.com).

## ENTRETIEN



**ATTENTION :** Mettez l'appareil hors tension avant d'effectuer tout entretien.

## DÉPANNAGE

Si des voyants d'erreur s'allument ou clignotent sur votre Shark® AI Robot, consultez le tableau de codes d'erreur ci-dessous :

CODE D'ERREUR	SOLUTION
<b>CLEAN (NETTOYER) (ROUGE) + ! (ROUGE)</b> clignotent	Panne du moteur d'aspiration. Retirez et videz le récipient à poussière, nettoyez les filtres et éliminez les obstructions afin de vous assurer que rien ne réduit l'aspiration.
<b>LE VOYANT CLEAN (NETTOYER) (ROUGE)</b> clignote	Le robot pourrait être coincé dans un obstacle. Soulevez le robot et déposez-le sur une surface plane.
<b>LE VOYANT DOCK (STATION DE RECHARGE) (ROUGE)</b> clignote	Le parechoc avant pourrait être coincé. Nettoyez le parechoc et assurez-vous qu'il se déplace librement.
<b>LES VOYANTS CLEAN (NETTOYER) (BLANC) ET DOCK (STATION DE RECHARGE) (ROUGE)</b> sont allumés	Erreur BotBoundary™. Déplacez votre robot vers une surface plane au loin de la bande de limite magnétique et essayez d'effectuer à nouveau un nettoyage.
<b>LES VOYANTS CLEAN (NETTOYER) (ROUGE) ET DOCK (STATION DE RECHARGE) (BLANC)</b> clignotent	Erreur du capteur de chute. Déplacez votre robot à un nouvel emplacement et nettoyez ses capteurs de chute.
<b>LES VOYANTS CLEAN (NETTOYER) (ROUGE) ET DOCK (STATION DE RECHARGE) (ROUGE)</b> clignotent	Le récipient à poussière du robot a été retiré et doit être réinséré.
<b>LES VOYANTS DOCK (STATION DE RECHARGE) (ROUGE) ET ! (ROUGE)</b> clignotent	Une brosse latérale est coincée. Enlevez tout débris autour des brosses latérales.
<b>CLEAN (NETTOYER) (ROUGE) + DOCK (STATION DE RECHARGE) (ROUGE) + ! (ROUGE)</b> clignotent	Une roue motrice est bloquée. Nettoyez les roues et éliminez tout débris enroulé autour des essieux.
<b>LES VOYANTS CLEAN (NETTOYER) (BLANC), DOCK (STATION DE RECHARGE) (ROUGE) ET ! (ROUGE)</b> clignotent	Erreur de l'encodeur de moteur de roue. Veuillez éteindre et rallumer l'appareil.
<b>CLEAN (NETTOYER) (BLANC) ET ! (ROUGE)</b> clignotent	Obstruction dans la brosse rotative. Enlevez tout débris autour de la brosse rotative.
<b>CLEAN (NETTOYER) (ROUGE) ET DOCK (STATION DE RECHARGE) ET ! (ROUGE)</b> clignotent	Le robot a connu une erreur lors du démarrage. Veuillez l'éteindre et le rallumer.
<b>LES VOYANTS CLEAN (NETTOYER) (BLANC) ET DOCK (STATION DE RECHARGE) (ROUGE)</b> clignotent	Le robot n'arrive pas à trouver la station. Veuillez prendre votre robot et le placer sur la station.
<b>LE VOYANT BATTERY (BATTERIE) (ROUGE)</b> clignote	Le niveau de la batterie est très faible; elle doit être rechargée. Si votre robot ne parvient pas à se rattacher à la station de recharge, placez-le manuellement sur la station.
<b>LES VOYANTS CLEAN (NETTOYER) (ROUGE) ET DOCK (STATION DE RECHARGE) (BLANC)</b> clignotent + <b>! (ROUGE)</b>	Le robot est coincé. Veuillez le déplacer sur une surface plane.

Si vous éprouvez d'autres difficultés, veuillez contacter notre service à la clientèle au 1 855 460-5425

**IMPORTANT : VEUILLEZ LIRE ATTENTIVEMENT LES CONDITIONS DE CE CONTRAT DE LICENCE AVANT DE CONTINUER L'INSTALLATION DE CE PROGRAMME OU L'UTILISATION DE CE PRODUIT :** Le Contrat de licence d'utilisateur final (« CLUF ») de SharkNinja Operating LLC (« SharkNinja ») est un accord juridique entre vous (une entité morale ou une personne physique) et SharkNinja pour les logiciels de SharkNinja, y compris ceux que vous avez installés sur vos produits SharkNinja ou ceux qui sont déjà installés sur votre appareil, y compris tout micrologiciel (ci-après dénommés les « APPLIS SN »). En installant, en copiant, en cochant une case, en cliquant sur un bouton confirmant votre accord à ces conditions, ou en continuant à utiliser les APPLIS SN, vous acceptez d'être lié par les conditions de ce CLUF. Ce contrat de licence représente l'intégralité de l'accord concernant les APPLIS SN entre vous et SharkNinja, et il remplace toute proposition, représentation ou entente antérieure entre les parties. Si vous n'acceptez pas les conditions de ce CLUF, n'installez pas les APPLIS SN, ne les utilisez pas et n'utilisez pas ce produit.

Les APPLIS SN sont protégées par les lois sur le droit d'auteur et les traités internationaux relatifs au droit d'auteur, ainsi que par d'autres lois et traités concernant la propriété intellectuelle.

**1. OCTROI DE LICENCE. Les APPLIS SN font l'objet de la licence suivante :**

1.1 Installation et utilisation. SharkNinja vous accorde le droit de télécharger, d'installer et d'utiliser les APPLIS SN sur la plate-forme indiquée pour laquelle les APPLIS SN ont été conçues et concernant les produits SharkNinja pour le fonctionnement desquels les APPLIS SN ont été créées (« dispositifs SN »).

1.2 Copies de sauvegarde. Vous pouvez également faire une copie des APPLIS SN que vous avez téléchargées et installées aux fins de sauvegarde et d'archivage.

**2. DESCRIPTION DES AUTRES DROITS ET LIMITATIONS.**

2.1 Conservation des avis de droit d'auteur. Vous ne devez pas supprimer ni modifier les avis de droit d'auteur sur toute copie des APPLIS SN.

2.2 Distribution. Il vous est interdit de distribuer des copies des APPLIS SN à des tiers.

2.3 Prohibition de désossage, de décompilation et de démontage. Il vous est interdit de faire le désossage, la décompilation ou le démontage des APPLIS SN, sauf et uniquement dans la mesure où cette activité est expressément autorisée par la loi applicable, en dépit de cette limitation.

2.4 Location. Il vous est interdit de louer ou de prêter les APPLIS SN sans l'autorisation écrite de SharkNinja.

2.5 LOGICIEL À REVENTE INTERDITE. Les applications portant la marque « revente interdite » ou « RI » ne peuvent être revendues, cédées ou utilisées à des fins autres que la démonstration, le test ou l'évaluation.

2.6 Services d'assistance. SharkNinja peut vous fournir des services d'assistance liés aux APPLIS SN (« services d'assistance »). Tout code de logiciel supplémentaire qui vous est fourni dans le cadre des services d'assistance fait partie intégrante des APPLIS SN et est assujéti aux conditions de ce CLUF.

2.7 Conformité aux lois applicables. Vous devez respecter toutes les lois applicables concernant l'utilisation des APPLIS SN.

**3. MISES À JOUR.** SharkNinja peut vous fournir des mises à niveau ou des mises à jour des APPLIS SN. Ce CLUF régira toutes les mises à niveau fournies par SharkNinja qui remplacent ou complètent les APPLIS SN, à moins que ladite mise à niveau soit accompagnée d'un CLUF distinct, auquel cas les conditions de ce dernier prévaudront. Si vous décidez de ne pas télécharger et de ne pas utiliser toute mise à niveau ou mise à jour fournie par SharkNinja, vous comprenez que vous pourriez exposer les APPLIS SN au risque de sérieuses menaces contre la sécurité ou rendre les APPLIS SN inutilisables ou instables.

**4. DONNÉES ET CONFIDENTIALITÉ.** SharkNinja s'engage à assurer le respect de votre vie privée en se conformant à des normes élevées d'équité et d'intégrité. Nous nous engageons à informer nos clients de la façon dont nous utilisons les informations que nous recueillons auprès de vous par l'entremise de l'utilisation de chacun de nos sites Web ou APPLIS SN sécurisés. Nos pratiques de respect de la vie privée sont décrites dans la politique de confidentialité de SharkNinja, ainsi que dans des avis séparés lorsqu'une application, un produit ou un service est acheté ou téléchargé. En utilisant les APPLIS SN ou en nous fournissant vos renseignements personnels, vous consentez aux pratiques et aux conditions décrites dans la politique de confidentialité de SharkNinja. En tout temps, vos renseignements sont traités conformément à la politique de confidentialité de SharkNinja, qui est intégrée par référence dans ce CLUF et qui peut être visualisée à l'URL suivante : <http://www.sharkninja.com/privacypolicy>.

**5. BIBLIOTHÈQUES D'APPLICATIONS ET LOGICIEL INTÉGRÉ PROVENANT DE TIERS.**

5.1 Vous reconnaissez qu'Ayla Networks, Inc. (« Ayla ») a fourni certaines bibliothèques d'applications intégrées dans les APPLIS SN (« bibliothèques d'applications Ayla ») et permet aux dispositifs SN de se connecter au service nuagique d'Ayla (« logiciel intégré d'Ayla »).

5.2 Vous n'utiliserez pas les bibliothèques d'applications Ayla sauf en tant que partie intégrée des APPLIS SN, sans modification à la forme qui vous a été fournie.

5.3 Vous n'utiliserez pas le logiciel intégré d'Ayla sauf en tant que partie intégrale des dispositifs SN, sans modification à la forme qui vous a été fournie.

5.4 Vous ne devez pas modifier, adapter, traduire, décompiler, désassembler, désosser, tenter de dériver ou créer des travaux dérivés basés sur le code source ou les algorithmes sous-jacents des bibliothèques d'applications Ayla ou du logiciel intégré d'Ayla.

5.5 SharkNinja conserve la pleine propriété des APPLIS SN (et des bibliothèques d'applications Ayla qu'elles contiennent) et de tout logiciel installé sur les dispositifs SN (y compris le logiciel intégré d'Ayla) et la seule licence qui vous soit accordée concerne l'utilisation des APPLIS SN et des dispositifs SN.

5.6 Vous ne pouvez pas utiliser les bibliothèques d'applications Ayla ni le logiciel intégré d'Ayla pour tenter d'accéder ou d'utiliser de manière non autorisée les systèmes et les services des autres concédants de licence de SharkNinja ; vous ne pouvez pas non plus transmettre des virus, des vers, des chevaux de Troie, des bombes à retardement, des logiciels espions, des logiciels malfaiteurs, des robots d'annulation, des mécanismes de collecte passive, des robots, des logiciels d'exploration de données ou tout autre code ou programme malveillant ou invasif dans les systèmes et les services des autres concédants de licence de SharkNinja.

5.7 Vous ne devez pas utiliser les bibliothèques d'applications Ayla ni le logiciel intégré d'Ayla pour interférer, briser ou contourner toute fonctionnalité de sécurité, d'authentification ou autre qui restreint ou impose des limitations sur l'utilisation ou l'accès aux systèmes et aux services des autres concédants de licence de SharkNinja.

5.8 Vous ne devez pas sonder, attaquer, scanner, ni vérifier la vulnérabilité des systèmes et des services des autres concédants de licence de SharkNinja.

5.9 Les autres concédants de licence des APPLIS SN de SharkNinja, des bibliothèques d'applications Ayla et du logiciel intégré d'Ayla sont les bénéficiaires expressus du présent CLUF, et les dispositions de la présente section dudit CLUF sont expressément destinées au bénéfice desdits concédants et sont exécutoires par ces derniers.

**6. RÉSILIATION.** Sans porter atteinte à tout autre droit, SharkNinja peut résilier ce CLUF si vous ne respectez pas les conditions de ce dernier. Dans un tel cas, vous devez détruire toutes les copies des APPLIS SN en votre possession.

**7. DROITS D'AUTEUR.** Tous les droits, y compris, entre autres, les droits d'auteur, concernant les APPLIS SN et leurs copies sont la propriété de SharkNinja ou de ses fournisseurs. Tout titre et droit de propriété intellectuelle concernant le contenu auquel on peut accéder par l'entremise de l'utilisation des APPLIS SN appartient au propriétaire du contenu respectif et peut être protégé par des droits d'auteur ou d'autres lois et traités applicables en matière de propriété intellectuelle. Ce CLUF ne vous accorde aucun droit d'utiliser ledit contenu. Tous les droits qui ne sont pas expressément accordés sont réservés par SharkNinja.

**8. LOGICIEL OUVERT.** Vous reconnaissez par la présente que les APPLIS SN peuvent contenir un logiciel soumis à des licences de « logiciel ouvert » ou « logiciel libre » (« logiciel ouvert »). La licence accordée par le présent CLUF ne s'applique pas au logiciel ouvert contenu dans les APPLIS SN. Les conditions de la licence du logiciel ouvert applicable s'appliquent plutôt au logiciel ouvert. Rien dans ce CLUF ne limite vos droits ou ne vous accorde des droits qui remplacent toute licence de logiciel ouvert. Vous reconnaissez que le contrat de licence du logiciel ouvert est uniquement entre vous et le concédant de licence applicable dudit logiciel ouvert. Dans la mesure où les conditions des licences applicables au logiciel ouvert exigent que SharkNinja fournisse le logiciel ouvert, sous forme de code source ou sous forme exécutable, ou qu'il fournisse des copies des conditions de licence applicables ou d'autres renseignements requis, vous pouvez obtenir une copie du logiciel en contactant SharkNinja à l'adresse physique ci-dessous. Des renseignements supplémentaires sur le logiciel ouvert et ses conditions d'utilisation sont disponibles à l'adresse [www.sharkclean.com/opensource](http://www.sharkclean.com/opensource).

**9. AUCUNE GARANTIE.** SharkNinja n'accorde expressément aucune garantie quant aux APPLIS SN, aux bibliothèques d'applications Ayla et au logiciel intégré d'Ayla. Les APPLIS SN, les bibliothèques d'applications Ayla et le logiciel intégré d'Ayla sont fournis « en l'état » sans garantie expresse ni implicite de quelque nature que ce soit, y compris, entre autres, les garanties de qualité marchande, d'absence de contrefaçon, d'adaptation à un usage particulier ou de titre. SharkNinja ne garantit ni n'assume aucune responsabilité quant à l'exactitude ou l'exhaustivité de toute information, texte, graphique, lien ou autre élément contenu dans les APPLIS SN. SharkNinja n'accorde aucune garantie contre tout préjudice pouvant être causé par la transmission d'un virus informatique, d'un ver, d'une bombe logique ou de tout autre programme informatique. En outre, SharkNinja ne fait expressément aucune garantie ni représentation envers tout tiers.

**10. LIMITATION DE RESPONSABILITÉ.** En aucun cas, SharkNinja ni ses fournisseurs ne sont tenus responsables de tout dommage particulier, accessoire, punitif, direct, indirect ou consécutif (y compris entre autres, les dommages-intérêts pour perte de profits ou divulgation d'informations confidentielles ou autres, pour interruption d'activité, pour préjudice personnel, pour la perte de la vie privée, pour le non-respect d'un devoir même après avoir agi de bonne foi ou avoir pris des soins raisonnables, pour toute négligence et pour toute autre perte financière ou autre) résultant ou lié de manière quelconque à l'utilisation ou à l'impossibilité d'utiliser les dispositifs SN ou les APPLIS SN, à la fourniture ou l'omission de fournir de l'assistance ou d'autres services, des informations, des logiciels et du contenu connexe par l'entremise du produit ou découlant de l'utilisation des APPLIS SN, ou de toute autre façon, quant à toute disposition de ce CLUF, même en cas de faute, de responsabilité délictuelle (y compris la négligence), de responsabilité stricte, de rupture de contrat ou de manquement à la garantie de SharkNinja ou de tout fournisseur, et même si SharkNinja ou tout fournisseur a été informé de la possibilité desdits dommages. SharkNinja n'est nullement tenue responsable quant au contenu des APPLIS SN ou de toute partie de ces dernières, y compris, entre autres, tous les cas d'erreurs ou d'omissions qui y sont contenues, de diffamation, d'infractions aux droits de publicité, à la vie privée ou aux droits de marque, d'interruption d'activité, de préjudice personnel, de perte de vie privée, aux droits moraux ou de la divulgation de renseignements confidentiels.

**11. LOI APPLICABLE.** Les lois du Commonwealth du Massachusetts régiront ce CLUF et vous consentez par la présente à la compétence d'attribution et à la compétence territoriale exclusives des tribunaux fédéraux et étatiques siégeant dans le Commonwealth du Massachusetts.

**12. CESSIION.** SharkNinja peut céder ce CLUF sans préavis au concédant.

**13. INTÉGRALITÉ DU CONTRAT.** Ce CLUF (y compris tout addenda ou toute modification à ce dernier qui est inclus avec les dispositifs SN) constitue l'intégralité de l'accord entre vous et SharkNinja concernant les APPLIS SN et remplace toutes les communications, propositions et représentations orales ou écrites antérieures ou contemporaines concernant les APPLIS SN ou tout autre sujet couvert par ledit CLUF. Dans la mesure où les conditions de toute politique ou de tout programme SharkNinja concernant les services d'assistance entrent en conflit avec les conditions de ce CLUF, les modalités de ce dernier sont exécutoires.

Si vous avez des questions concernant ce CLUF, veuillez contacter SharkNinja au 89 A Street, Suite 100, Needham, MA 02494.

## GARANTIE LIMITÉE D'UN (1) AN

La garantie limitée d'un (1) an s'applique aux achats effectués auprès de détaillants autorisés de **SharkNinja Operating LLC**. La garantie s'applique uniquement au premier propriétaire et au produit original et n'est pas transférable.

SharkNinja garantit ce produit contre toute défectuosité de matériau ou de main-d'œuvre pour une période d'un (1) an à compter de la date d'achat, dans le cadre d'un usage domestique normal et si le produit est entretenu conformément aux exigences décrites dans le guide de l'utilisateur, sujet aux conditions, aux exclusions et aux exceptions ci-dessous.

### Qu'est-ce qui est couvert par cette garantie?

1. L'appareil d'origine et/ou des pièces inusables considérés comme défectueux, à la seule discrétion de SharkNinja, seront réparés ou remplacés jusqu'à un (1) an à compter de la date d'achat initiale.
2. Dans le cas d'un remplacement de l'appareil, la garantie prendra fin six (6) mois après la date de réception de l'appareil de remplacement ou pendant le reste de la période de garantie existante, selon la période la plus longue. SharkNinja se réserve le droit de le remplacer par un appareil de valeur égale ou supérieure.

### Qu'est-ce qui n'est pas couvert par cette garantie?

1. L'usure normale des pièces (comme les filtres en mousse, les filtres HEPA, les tampons, etc.) qui nécessitent un entretien et/ou un remplacement régulier afin d'assurer le bon fonctionnement de votre appareil n'est pas couverte par cette garantie. Vous pouvez faire l'achat de pièces de rechange par l'entremise du site [sharkaccessories.com](http://sharkaccessories.com).
2. La garantie ne s'applique pas aux appareils utilisés de façon abusive ou à des fins commerciales.
3. Les dommages causés par une mauvaise utilisation (comme aspirer de l'eau ou d'autres liquides), un abus, une négligence lors de la manipulation, un manquement à la l'entretien nécessaire (comme ne pas nettoyer les filtres), ou un dommage dû à une mauvaise manipulation pendant le transport.
4. Les dommages indirects et accessoires.
5. Les défectuosités causées par des réparateurs non autorisés par SharkNinja. Ces défectuosités incluent les dommages causés lors du processus d'expédition, de modification ou de réparation du produit SharkNinja (ou de l'une de ses pièces) lorsque la réparation est effectuée par un réparateur non autorisé par SharkNinja.
6. Les produits achetés, utilisés ou mis en fonction à l'extérieur de l'Amérique du Nord.

### Comment obtenir du service

Si votre appareil ne fonctionne pas correctement lorsque vous l'utilisez normalement à domicile durant la période de garantie, visitez le [sharkclean.com/support](http://sharkclean.com/support) pour obtenir de l'information sur les soins et entretien du produit que vous pouvez effectuer vous-même. Nos spécialistes du service à la clientèle sont aussi disponibles au **1 855 460-5425** pour de l'assistance sur les produits et les options de garantie de service offertes, y compris la possibilité de passer à nos options de garantie de service VIP pour certaines catégories de produits. Afin que nous puissions mieux vous aider, veuillez enregistrer votre produit en ligne à l'adresse [registryourshark.com](http://registryourshark.com) et avoir le produit en main lorsque vous nous appelez.

SharkNinja assumera les frais de retour de l'appareil à nos sites par le consommateur en vue de la réparation ou du remplacement de l'appareil. Un montant de 24,95 \$ (sujet à changement) sera facturé lorsque SharkNinja expédiera l'appareil réparé ou remplacé.


### Comment présenter une demande de service sous garantie

Veuillez noter que vous devez téléphoner au **1 855 460-5425** pour soumettre une réclamation au titre de la garantie. Vous aurez besoin du reçu comme preuve d'achat. Nous vous demandons également d'enregistrer votre produit en ligne à l'adresse [registryourshark.com](http://registryourshark.com) et d'avoir le produit en main lorsque vous nous appelez afin que nous puissions mieux vous aider. Un spécialiste du service à la clientèle vous fournira les directives d'emballage et de retour.

### De quelle manière les lois d'État s'appliquent-elles?

Cette garantie vous accorde des droits spécifiques légaux et vous pouvez aussi bénéficier d'autres droits qui varient d'une province ou d'un État à l'autre. Certains États américains ou certaines provinces canadiennes n'acceptent pas l'exclusion ou la limitation de dommages accessoires ou indirects, ce qui fait que cette disposition peut ne pas s'appliquer à votre cas.

## ENREGISTREZ VOTRE ACHAT

 [registryourshark.com](http://registryourshark.com)



## NOTEZ LES RENSEIGNEMENTS CI-DESSOUS

Numéro de modèle : \_\_\_\_\_

Code de date : \_\_\_\_\_

Date d'achat : \_\_\_\_\_  
(Conservez la facture)

Magasin où l'appareil a été acheté : \_\_\_\_\_

**CONSEIL :** Le numéro de modèle et le numéro de série sont indiqués sur l'étiquette de code QR, située au bas de la partie arrière du robot et de la batterie.

## RENDEMENT PRÉVU

Autonomie prévue : 60 minutes

Délai de chargement prévu : 6 heures



### AVERTISSEMENTS DE LA FCC

Cet équipement a été testé et déclaré conforme aux limites d'un appareil numérique de classe B, conformément à la section 15 des règles de la FCC. Ces limites sont conçues pour fournir une protection raisonnable contre les interférences nuisibles dans une installation domestique. Cet équipement génère, utilise et peut émettre de l'énergie de radiofréquence, et s'il n'est pas installé et utilisé conformément aux instructions, il peut causer des interférences nuisibles aux communications radio. Cependant, il n'y a aucune garantie que des interférences ne se produiront pas dans toute installation particulière. Si cet équipement provoque des interférences nuisibles à la réception de diffusion radio et télévision (ce qui peut être déterminé en éteignant et en allumant l'équipement), l'utilisateur est encouragé à essayer de corriger les interférences en prenant au moins l'une des mesures suivantes :

- Réorientez ou déplacez l'antenne de réception.
- Augmentez la distance entre l'équipement et le récepteur.
- Connectez l'équipement à une prise de courant qui est sur un circuit différent de celui sur lequel le récepteur est branché.
- Consultez le détaillant ou un technicien expérimenté en radio et en télévision pour obtenir de l'aide.

Cet appareil est conforme à la section 15 des règlements de la FCC. L'opération est soumise aux conditions suivantes :

**1** Cet appareil ne doit pas causer d'interférences nuisibles

**2** Cet appareil doit accepter toute interférence reçue, y compris celles qui peuvent engendrer un fonctionnement indésirable.

Tout changement ou modification non expressément approuvés par la partie responsable de la conformité pourraient annuler l'autorisation de l'utilisateur d'utiliser cet appareil.



### RETRAIT ET MISE AU REBUT DES BATTERIES

Ce produit utilise une batterie. Lorsque la charge maximale de la batterie devient insuffisante, il faut retirer la batterie de l'aspirateur et la recycler. **N'INCINÉREZ PAS** la batterie et ne la mettez pas au compost.

Lorsque la batterie au lithium-ion doit être remplacée, jetez-la ou recyclez-la conformément aux ordonnances ou aux règlements locaux. Dans certaines régions, il est illégal de déposer des batteries au lithium-ion usées au rebut ou dans un flux de déchets solides municipaux. Envoyez les batteries usées à un centre de recyclage autorisé ou retournez-les au détaillant aux fins de recyclage. Communiquez avec votre centre de recyclage local pour savoir où déposer la batterie usée.

Pour plus d'information sur le retrait des piles aux fins d'élimination, consultez: [sharkclean.com/batterysupport](http://sharkclean.com/batterysupport).

Le sceau de la RBRC™ (Rechargeable Battery Recycling Corporation [Société de recyclage des piles et des batteries rechargeables]) sur la batterie au lithium-ion indique que SharkNinja a déjà payé les coûts de recyclage de la batterie à la fin de sa durée de vie. Dans certaines régions, il est illégal de déposer des batteries au lithium-ion usées au rebut ou dans un flux de déchets solides municipaux ; le programme de la RBRC offre une solution de rechange respectueuse de l'environnement.

La RBRC, en collaboration avec SharkNinja et d'autres grands utilisateurs de batteries, a créé aux États-Unis et au Canada des programmes visant à faciliter la collecte de batteries au lithium-ion usées. Aidez à protéger l'environnement et à conserver les ressources naturelles en retournant la batterie au lithium-ion usée à un centre d'entretien SharkNinja autorisé ou à votre détaillant local à des fins de recyclage. Vous pouvez également composer le 1 800 798-7398 ou communiquer avec votre centre de recyclage local pour savoir où déposer la batterie usée.

# INSTRUCCIONES DE SEGURIDAD IMPORTANTES

LEA DETENIDAMENTE ANTES DE USAR • SOLO PARA USO DOMÉSTICO

Si el enchufe del cable de carga no cabe en la toma de corriente completamente, invierta el enchufe. Si de todas formas no encaja, comuníquese con un electricista calificado. NO lo fuerce en la toma de corriente ni intente modificarlo para que se adapte.

## ⚠ ADVERTENCIA

Para reducir el riesgo de incendio, descarga eléctrica, lesión o daños a la propiedad:

### ADVERTENCIAS GENERALES

Al utilizar un electrodoméstico, siempre se deben seguir precauciones básicas, que incluyen las siguientes:

- Este electrodoméstico consiste en un robot aspirador y una base de carga con fuente de alimentación. Estos componentes contienen conexiones eléctricas, cableado eléctrico y piezas móviles que pueden representar un riesgo para el usuario.
- Antes de cada uso, inspeccione todas las piezas para verificar que no tengan daños. Si una pieza está dañada, suspenda el uso.
- Use únicamente piezas de repuesto idénticas.
- Este robot aspirador contiene piezas que no se reparan.
- Use el producto únicamente según se indica en este manual. NO use el robot aspirador para otro fin que no sea el que se indica en este manual.
- A excepción de los filtros, NO permita que las piezas del robot aspirador entren en contacto con agua u otros líquidos.

### ADVERTENCIAS PARA EL USO

- Las personas con capacidades físicas, sensoriales o mentales disminuidas o que carecen de experiencia y conocimientos pueden utilizar este electrodoméstico bajo supervisión o si han recibido instrucciones sobre su uso de forma segura y comprenden los peligros relacionados.
  - Los niños no deben jugar con el electrodoméstico.
  - Los niños no deben realizar la limpieza y el mantenimiento del aparato sin supervisión.
- Siempre apague el robot aspirador antes de insertar o retirar el filtro o el recipiente para el polvo.
- NO manipule el enchufe, la base de carga, el cable de carga ni el robot aspirador con las manos mojadas. Los niños no deben realizar la limpieza ni el mantenimiento del aparato sin supervisión.
- NO use el robot sin el recipiente para el polvo y los filtros colocados en su lugar.

- NO dañe el cable de carga:
  - NO tire del cable ni cargue la base de carga del cable ni use el cable como un mango.
  - NO desenchufe tirando del cable. Sujete el enchufe, no el cable.
  - NO cierre una puerta sobre el cable, ni tire del cable alrededor de esquinas afiladas, y tampoco deje el cable cerca de superficies calientes.
- NO coloque ningún objeto dentro de la boquilla de piso o los orificios de accesorios. NO la use con un orificio obstruido; mantenga el electrodoméstico libre de polvo, pelusas, pelo y cualquier otra cosa que pueda reducir el flujo de aire.
- NO lo use si el flujo de aire del robot aspirador está restringido. Si los pasajes de aire se bloquean, apáguelo y quite todos los obstáculos antes de volver a encender la unidad.
- Mantenga la boquilla de piso y todos los orificios de la aspiradora alejados del pelo, rostro, dedos, pies descalzos o ropa suelta.
- NO use el robot aspirador si no funciona correctamente como debe ser o si se le cayó, dañó, se dejó en áreas exteriores o se cayó en agua.
- NO coloque la aspiradora en superficies poco estables,
- Cuando mueva el robot de forma manual a otra ubicación, debe colocarlo por lo menos a 45 cm (1.5 pies) de cualquier escalera o desnivel.
- NO lo use para recoger lo siguiente:
  - Líquidos derramados
  - Objetos grandes
  - Objetos duros o afilados (vidrio, clavos, tornillos o monedas)
  - Grandes cantidades de polvo (polvo de placas de yeso, cenizas de chimenea o brasas). NO lo use como accesorio para recolección de polvo de herramientas eléctricas.
  - Objetos humeantes o incandescentes (carbón caliente, colillas de cigarrillo o fósforos)
  - Materiales inflamables o combustibles (líquido de encendedor, gasolina o queroseno)
  - Materiales tóxicos (blanqueador con cloro, amoníaco o limpiador alcalino para drenajes)

- NO lo use en las siguientes áreas:
  - Espacios exteriores cerca de chimeneas con entradas sin obstrucciones
  - Espacios cerrados y que puedan contener gases o vapores explosivos o tóxicos (líquido de encendedor, gasolina, queroseno, pintura, diluyente de pintura, sustancias antipolillas o polvo inflamable)
  - Un lugar con calentador
  - Cerca de chimeneas con entradas sin obstrucciones
  - Superficies húmedas o resbalosas
- Apague el robot aspirador antes de hacer cualquier ajuste, limpieza, mantenimiento o solucionar cualquier problema. Nota: cuando está en la posición de apagado (O), el robot aún utiliza una cantidad pequeña de energía.

- Permita que todos los filtros se sequen al aire libre completamente antes de volver a colocarlos en el robot aspirador para impedir que ingrese líquido a las piezas eléctricas.
- NO modifique ni intente reparar el robot aspirador o la batería usted mismo, excepto según se indica en este manual. NO lo use si ha sido modificado o se dañó.
- Retire todo líquido vertido o derramado de la base o del suelo, ya que ello podría conllevar riesgos de descarga eléctrica.
- Para que los sensores de desnivel del robot funcionen correctamente, todas las alfombras de pasillo, los tapetes o alfombras deben estar al menos a 20 cm (8 pulgadas) de cualquier escalera (o deben ser largos y extenderse sobre el borde de la escalera). Si el borde de una alfombra de pasillo, tapete o alfombra está a menos de 20 cm (8 pulgadas) de algún desnivel o de las escaleras, se debe usar una tira BotBoundary® para bloquear las escaleras y cualquier desnivel. Las tiras BotBoundary no se incluyen con el robot, pero se pueden comprar si se pone en contacto con el Servicio al Cliente de Shark al 1-855-460-5425.

### USO DE LA BATERÍA

- La batería es la fuente de alimentación de la aspiradora. Lea atentamente y siga todas las instrucciones de carga.
- Para evitar el arranque involuntario, asegúrese de que la aspiradora esté apagada antes de levantarla o cargarla. NO cargue el electrodoméstico con el dedo en el interruptor de alimentación.
- Use ÚNICAMENTE la base de carga Shark® XDCKRV2000 y la batería RVBAT850A. El uso de baterías o cargadores distintos de los indicados puede implicar un riesgo de incendio.

- Mantenga la batería alejada de cualquier objeto metálico, tales como ganchos, monedas, llaves, clavos o tornillos. Si se unen los terminales de la batería, se incrementa el riesgo de incendio o quemaduras.
- En condiciones desmesuradas, es posible que salga líquido expulsado de la batería. Evite el contacto con dicho líquido, ya que puede provocar irritación o quemaduras. Si se produce contacto, enjuague con agua. Si el líquido entra en contacto con los ojos, busque asistencia médica.
- El robot aspirador no se debe almacenar, cargar ni utilizar a temperaturas inferiores a los 10 °C (50 °F) o superiores a los 40 °C (104 °F). Asegúrese de que la batería y la aspiradora hayan alcanzado la temperatura ambiente antes de cargarlas o usarlas. Exponer el robot o la batería a temperaturas que rebasen estos límites puede dañar la batería e incrementar el riesgo de incendio.
- NO exponga el robot aspirador ni la batería al fuego o a temperaturas superiores a los 130 °C (265 °F) ya que puede causar una explosión.
- Las baterías no recargables no se pueden recargar.

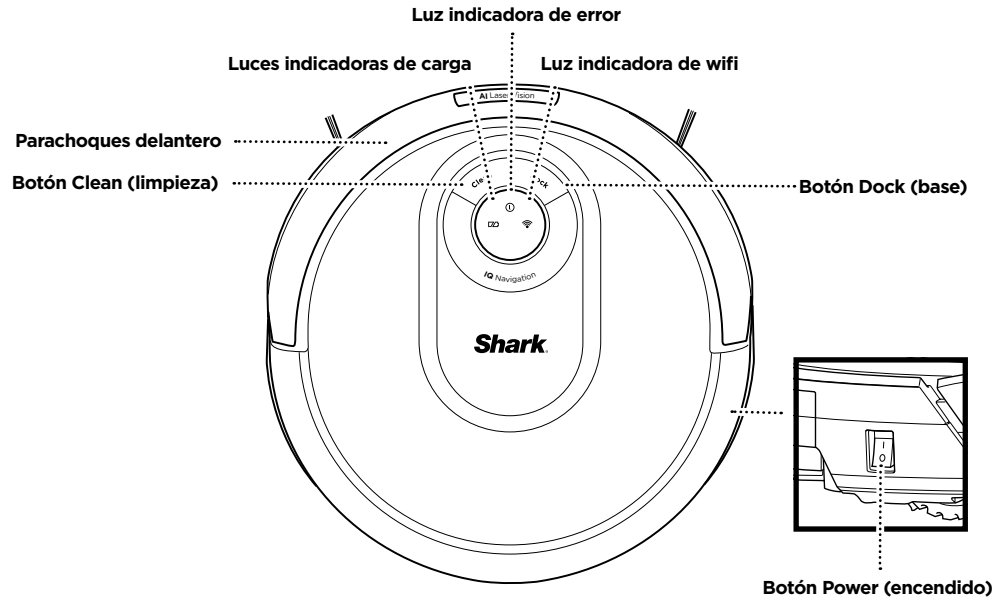
### CINTAS BOTBOUNDARY®

- NO coloque las cintas BotBoundary por debajo de alfombras o tapetes.
- NO coloque las cintas BotBoundary una encima de otra.
- Siempre use cintas BotBoundary alrededor de pisos y superficies reflectantes.
- Las cintas BotBoundary siempre deben usarse cerca de escaleras alfombradas.
- NO coloque las cintas BotBoundary a menos de 3 m (10 pies) de la base.
- Para que los sensores de desnivel de su robot funcionen correctamente, todas las alfombras de pasillo, tapetes u otras alfombras deben estar a 20 cm (8 pulgadas) de cualquier escalera (o deben ser continuos y extenderse sobre el borde de la escalera). Si el borde de una alfombra de pasillo, tapete o alfombra se encuentra a menos de 20 cm (8 pulgadas) de las escaleras y no es posible cambiarlo, use una cinta BotBoundary® para bloquear las escaleras.

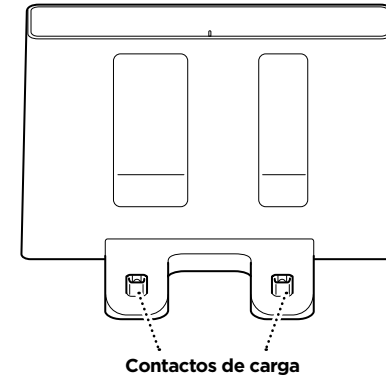
## GUARDE ESTAS INSTRUCCIONES

Para conocer las advertencias y precauciones más recientes, visite [sharkclean.com/robohelp](https://sharkclean.com/robohelp).

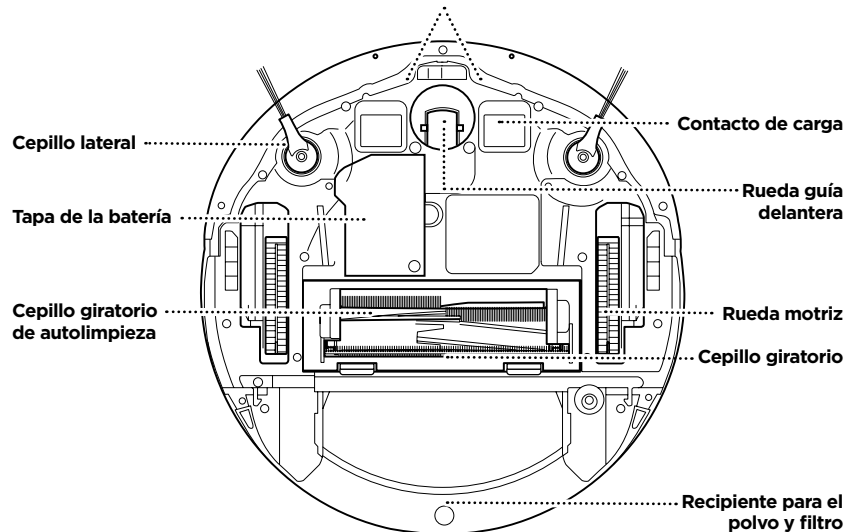




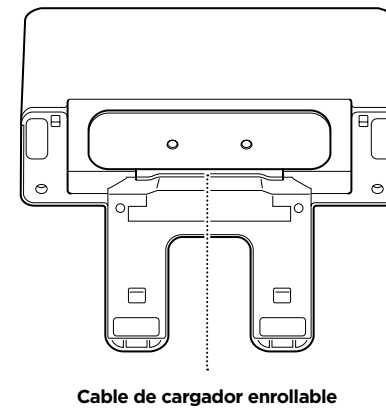
PARTE FRONTAL DE LA BASE



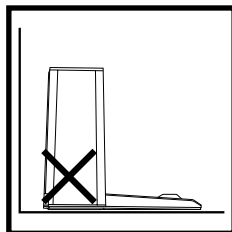
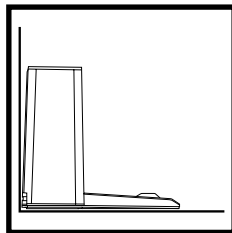
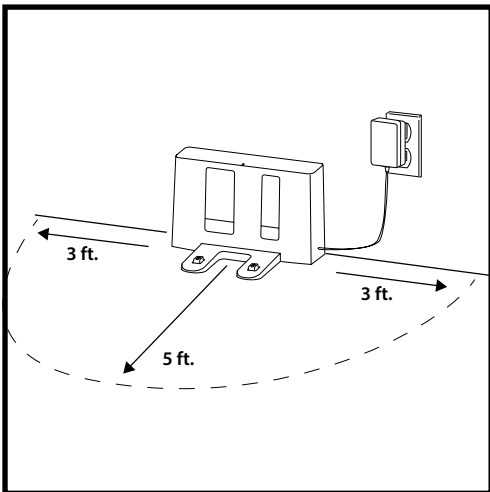
Sensores de bordes y desniveles



PARTE INFERIOR DE LA BASE

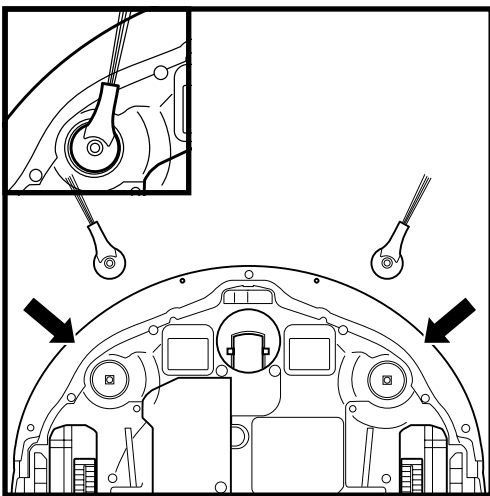


## CONFIGURACIÓN DE LA BASE



- Elija una ubicación permanente para la **base de carga**, ya que, cada vez que cambie dicha ubicación, el robot tendrá que volver a mapear toda su casa.
- Coloque la base con la parte posterior contra la pared. Elija una superficie nivelada en un suelo sin obstáculos y que se encuentre en un área central. No coloque la base contra zócalos ni objetos calefactores.
- Retire todos los objetos que estén a menos de 1 metro (3 pies) de cualquier lado de la base o a una distancia inferior a 1.52 metros (5 pies) de la parte delantera de la base.
- Enchufe la base. La luz indicadora se iluminará en verde cuando la base esté encendida.

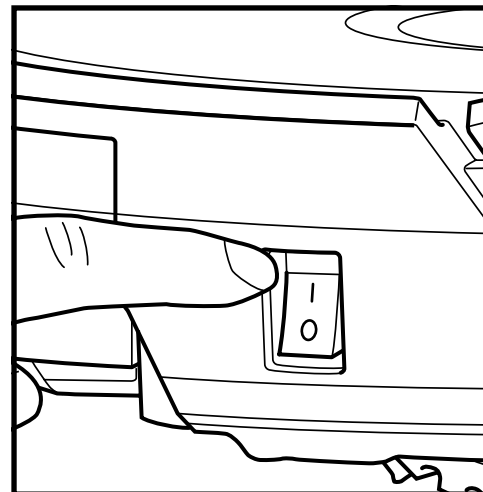
## INSTALACIÓN DE LOS CEPILLOS LATERALES



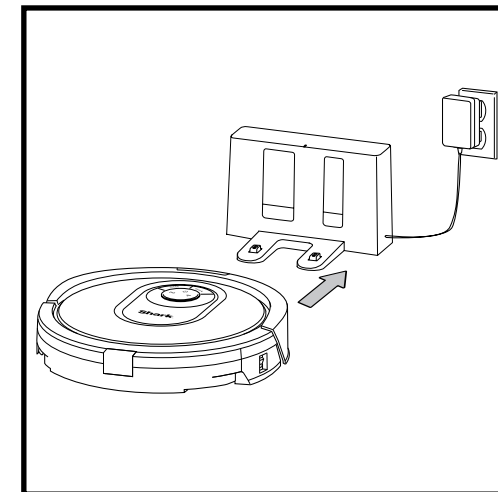
Coloque los 2 **cepillos laterales** incluidos en los soportes cuadrados de la parte inferior del robot aspirador.

## CARGA

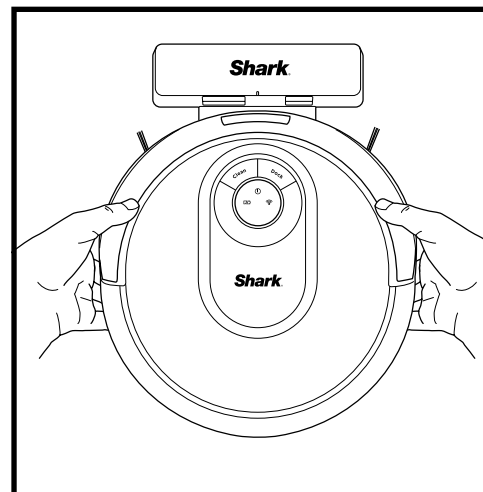
**IMPORTANTE:** el AI Robot Shark® tiene una batería recargable preinstalada. Cargue la batería por completo antes del primer uso. La carga completa puede tardar hasta 6 horas.



Para cargarlo, coloque el robot en la base. El botón **Power** (encendido) que se encuentra en la parte lateral del robot debe estar en la posición de encendido (I). El robot emitirá un pitido cuando empiece a cargar.



Cuando el ciclo de limpieza se haya completado, si la batería se está agotando, o cuando se haya programado la tarea de recargar/reanudar, el robot buscará la base. Si el robot no regresa a la base, es posible que la carga se haya agotado.

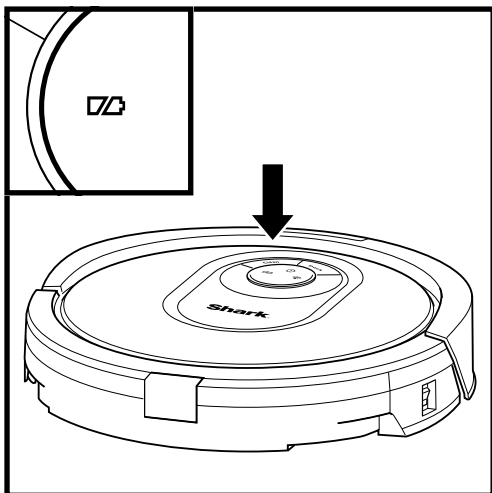


Si el robot no tiene carga o no puede volver a la base de carga, colóquelo en la base manualmente. La luz indicadora en la base cambiará a azul y el robot emitirá un pitido cuando comience a cargar.

**NOTA:** cuando coloque el robot en la base de forma manual, asegúrese de que los **contactos de carga** de la parte inferior del robot estén alineados con los que se encuentran en la base. Cuando el robot esté cargando, ambas luces LED blancas parpadearán. Cuando la carga esté completa, las luces se encenderán de manera constante.

**NOTA:** cuando recoja la unidad, tenga cuidado de no colocar sus dedos entre el parachoques y la base del robot.

## LUCES INDICADORAS DE CARGA



En uso



Mientras carga (Blanco)



Sin carga o apagado



Las luces indicadoras de carga blancas muestran la cantidad de batería que queda.

Cuando el robot esté cargando, ambas luces LED blancas parpadearán. Cuando la carga esté completa, las luces se encenderán de manera constante.

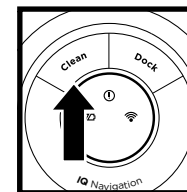
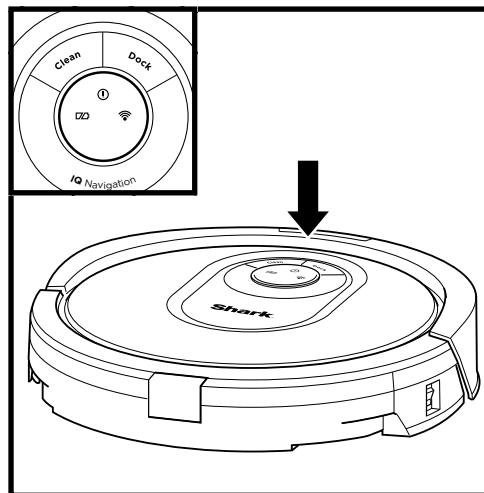
La carga completa del robot puede tardar hasta 6 horas.

Si el robot está inactivo y lejos de la base de carga durante 10 minutos, se pondrá en **modo de suspensión**. Las luces indicadoras se apagarán, pero la batería y las luces de wifi permanecerán en modo de suspensión. Vuelva a activar el robot presionando cualquier botón.

**NOTA:** si la luz indicadora de carga baja está parpadeando en rojo, no hay suficiente batería para que el robot regrese a la base. Coloque el robot en la base de forma manual.

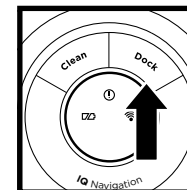
**SUGERENCIA:** para preservar la vida útil de la batería, apague el interruptor de alimentación si no se va a usar el robot durante un largo período de tiempo. El robot debe recargarse al menos una vez cada tres meses. El interruptor debe estar en la posición de encendido para cargar el robot.

## BOTONES Y LUCES INDICADORAS



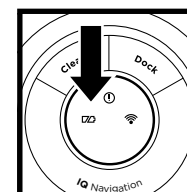
### BOTÓN CLEAN (LIMPIEZA)

Presione para iniciar una sesión de limpieza. Presione nuevamente para detener la unidad.



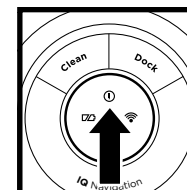
### BOTÓN DOCK (BASE)

Presione para detener la limpieza y hacer que el robot vuelva a la base de carga.



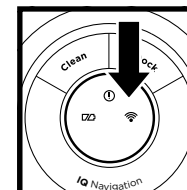
### LUCES INDICADORAS DE CARGA

Muestran la cantidad de carga que queda en la batería.



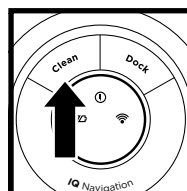
### INDICADOR DE ERROR "!"

Consulte la sección Solución de problemas para obtener una lista completa de los códigos de error.



### INDICADOR DE WIFI

Luz blanca: conectado a wifi.  
Luz roja: no conectado.  
Blanco intermitente: modo de configuración.  
No hay luz: no se ha configurado todavía.



### RECARGAR Y REANUDAR

Mantenga presionado el botón CLEAN (limpieza) durante 15 segundos para activar o desactivar la función Recargar y reanudar.

La función Recargar y reanudar se encuentra desactivada de forma predeterminada. Active la función Recargar y reanudar para obtener una cobertura completa, si la planta de su casa tiene más de 140 metros cuadrados (1500 pies cuadrados). Su robot regresará a la base, recargará su batería y reanudará la limpieza a partir de donde la dejó.

**IMPORTANTE:** antes de limpiar una habitación completa por primera vez, le recomendamos que primero pruebe el robot en un área pequeña del piso para asegurarse de que no se producen rayones.

## PREPARE SU HOGAR

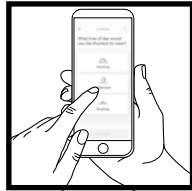
Mientras limpia, el robot utiliza una serie de sensores para desplazarse entre las paredes, las patas de los muebles y otros obstáculos. Para evitar que el robot ingrese a espacios que usted no desea, configure las zonas prohibidas en la aplicación. Para obtener mejores resultados, prepare su hogar como se indica a continuación y programe una limpieza diaria para asegurarse de realizar un mantenimiento periódico de todas las áreas del piso.

**NOTA:** La función programación es una de las muchas características que solo están disponibles desde la aplicación.



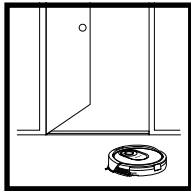
### OBSTÁCULOS

Retire del suelo cables y objetos cuya altura sea menor que 7 cm (2.8 pulgadas) y abra las puertas interiores para asegurar un mapeo completo de su hogar.



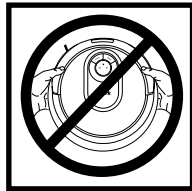
### PROGRAMACIÓN

Programa con la aplicación recorridos de aspirado por todo su hogar.



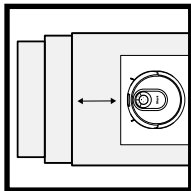
### BARRERAS

El robot puede escalar con facilidad la mayoría de las barreras, pero, si una es muy alta, configúrela en la aplicación como zona prohibida para bloquearla.



### EVITE MOVER EL ROBOT Y LA BASE

Mientras el robot esté limpiando, no lo recoja ni lo mueva, y tampoco mueva la base de carga: esto afectará la navegación del robot y su capacidad para regresar a la base una vez que haya terminado de limpiar.

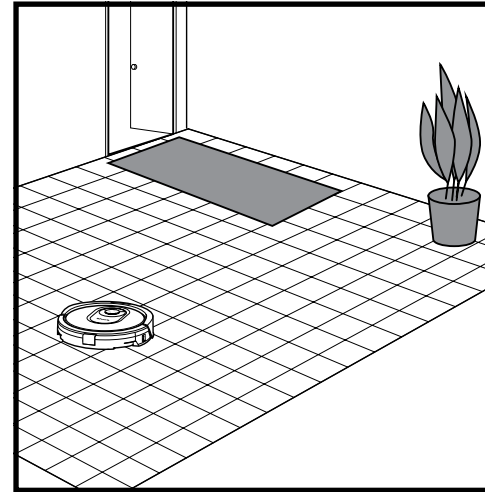


### ESCALERAS

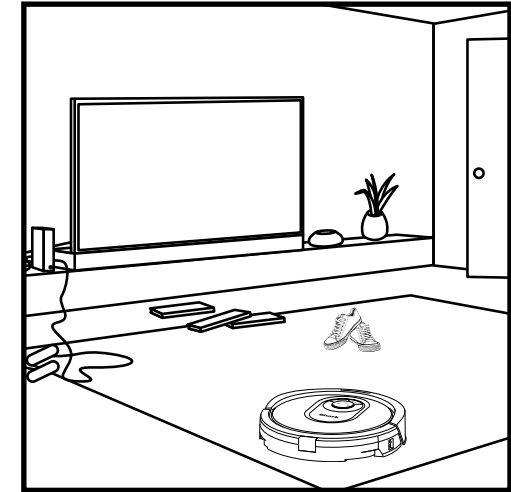
Los sensores de desnivel del robot evitarán que caiga de repisas. Para que los sensores de desnivel funcionen correctamente en cualquier modo, todas las alfombras de pasillo, tapetes o alfombras deben estar al menos a 20 cm (8 pulgadas) de cualquier escalera o extenderse sobre el borde de la escalera.

## USO DEL AI ROBOT SHARK®

### IQ NAVIGATION™ Y AI LASER VISION



Después de que la configuración esté completa, el robot hará un **Explore Run** (recorrido de exploración) para crear un mapa inicial de su hogar. El robot recorrerá habitación por habitación para identificar las paredes, muebles y otros obstáculos mientras limpia. Este recorrido durará menos tiempo que una limpieza completa, ya que no cubre todo el suelo.



La tecnología de detección de objetos que posee el robot le permite navegar alrededor de obstáculos cuya altura sea mayor que 7 cm (2.8 pulgadas).

Cree zonas prohibidas en la aplicación para bloquear los espacios a los que no quisiera que ingrese el robot. Puede configurar zonas prohibidas alrededor de objetos pequeños, pero también puede bloquear espacios más grandes.

### MODO DE LIMPIEZA MANUAL

Para comenzar manualmente un ciclo de limpieza, presione el botón **Clean** (limpieza) en el robot aspirador o en la aplicación móvil. Para enviar de inmediato el robot de vuelta a la base, presione el botón Dock (base).

**NOTA:** asegúrese de cargar por completo el robot antes de que limpie por primera vez, de modo que pueda explorar, mapear y limpiar su hogar tanto como pueda. La carga completa del robot puede tardar hasta 6 horas.

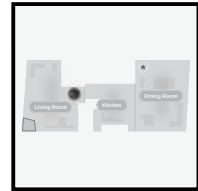
**NOTA:** evite mover la base. Si se le cambia de lugar, es posible que el robot no encuentre el camino para regresar a la base. Si se cambia de lugar al robot mientras está en uso, es posible que no pueda seguir su camino de limpieza inteligente o encontrar el camino para regresar a la base.

## USO DEL AI ROBOT SHARK®

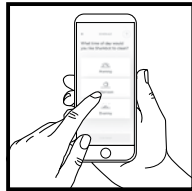
Visite [sharkclean.com/app](http://sharkclean.com/app) o llame al 1-855-460-5425 para encontrar respuestas a todas sus preguntas sobre la aplicación.

### USO DE LA APLICACIÓN SHARKCLEAN™ Y LOS CONTROLES DE VOZ

Aproveche al máximo su AI Robot de Shark con estas funciones de la aplicación:



- **Recharge and Resume (recargar y reanudar)**  
Habilite esta función para controlar la limpieza de varias habitaciones en hogares más grandes. El robot regresará a la base para recargarse y podrá retomar la limpieza donde la dejó.



- **Scheduling (programación)**  
Programa una limpieza para todo su hogar para cualquier hora y cualquier día.
- **Control From Anywhere (controlar desde cualquier lugar)**  
Donde sea que se encuentre, tendrá el control del robot.

- **Zonas permitidas, zonas prohibidas**  
Utilice la función de zonas prohibidas para mantener al robot alejado de los espacios que quisiera que evite.

- **Cleaning Reports (informes de limpieza)**  
Cada vez que el robot limpie, la aplicación generará un informe de limpieza.

Busque **SharkClean** en la tienda de aplicaciones y descargue la aplicación en su dispositivo iPhone™ o Android™.



#### CONFIGURACIÓN DE LOS CONTROLES DE VOZ CON GOOGLE ASSISTANT O AMAZON ALEXA

Visite [sharkclean.com/app](http://sharkclean.com/app) para instrucciones de configuración que incluyen la habilitación de Shark Skill para Amazon Alexa y el uso de Google Assistant.

Para Google Assistant:

- “OK Google, dile a Shark que comience a limpiar”.
- “OK Google, dile a Shark que pause mi robot”.
- “OK Google, dile a Shark que envíe mi robot a la base”.

Para Amazon Alexa:

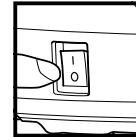
- “Alexa, dile a Shark que comience a limpiar”.
- “Alexa, dile a Shark que pause mi robot”.
- “Alexa, dile a Shark que envíe mi robot a la base”.

#### SOLUCIÓN DE PROBLEMAS DE WIFI

- Para usar la aplicación, su teléfono debe estar conectado a una red de 2.4 GHz. La aplicación solo funciona con una red de 2.4 GHz.
- Las redes habituales de wifi en el hogar soportan 2.4 GHz y 5 GHz.
- No utilice VPN ni servidores proxy.
- Asegúrese de que el aislamiento inalámbrico esté desactivado en el router.
- Si no logra conectarse, llame al 1-855-460-5425.

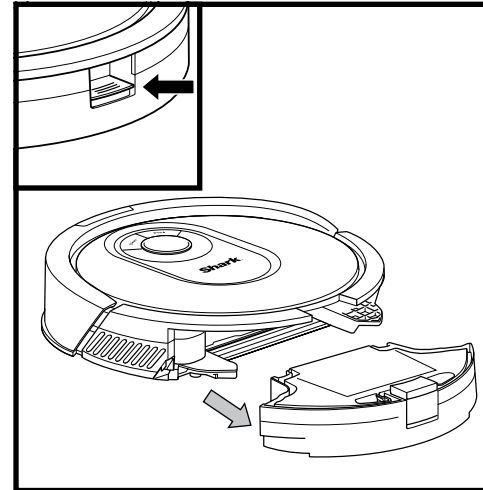
CÓDIGO DE ERROR	PROBLEMA
! (ROJO) + indicador de wifi (ROJO intermitente)	Contraseña de wifi incorrecta
! (rojo intermitente) + wifi (ROJO)	Si no encuentra el identificador de red SSID, intente conectar de nuevo.
! + wifi (ROJO intermitente al mismo tiempo)	No se puede conectar al wifi

## MANTENIMIENTO

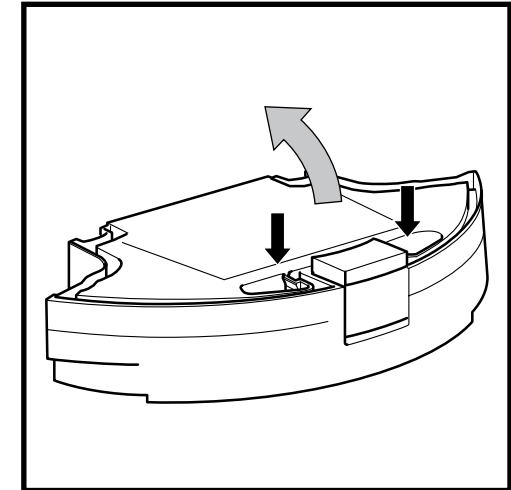


**PRECAUCIÓN:** apague la unidad antes de realizar cualquier tipo de mantenimiento.  
**NOTA:** cuando está en la posición de apagado (O), el robot aún utiliza una cantidad pequeña de energía.

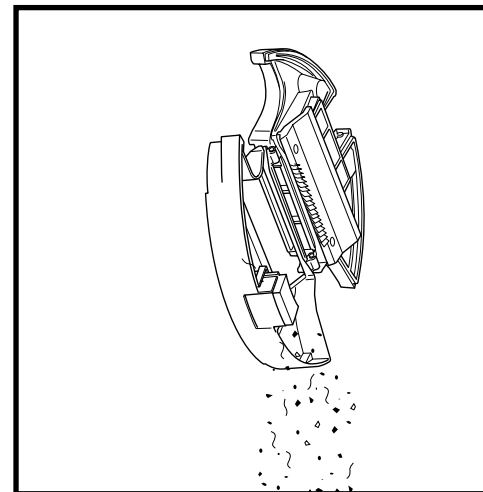
### VACIADO DEL RECIPIENTE PARA EL POLVO



Presione el **botón de liberación del recipiente para el polvo** y deslice hacia afuera el recipiente.

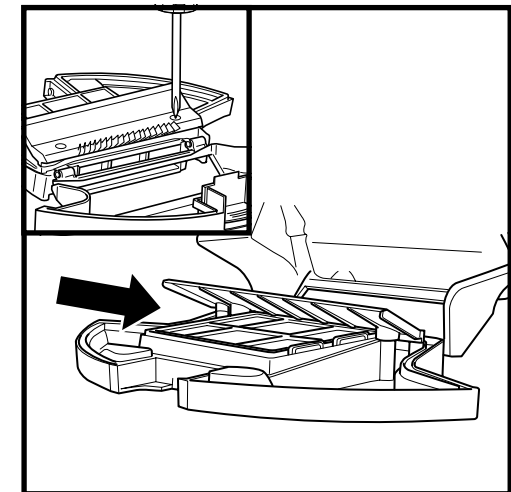


Para abrir la tapa del recipiente para el polvo, mantenga presionado el botón mientras levanta la tapa, usando los orificios para los dedos.



Vacíe los escombros en la basura. Retire el filtro y lave el recipiente para el polvo, de ser necesario.

**NOTA:** asegúrese de insertar por completo el recipiente para el polvo hasta que encaje en su lugar.



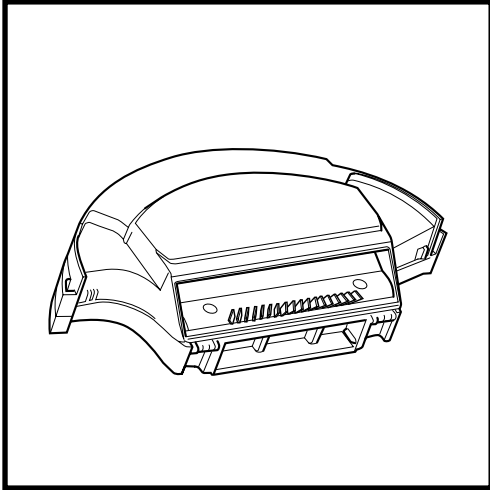
Observe entre el filtro y el protector de plástico para asegurarse de que no haya residuos acumulados.

Retire el protector y quite los residuos acumulados con un paño seco o cepillo suave.

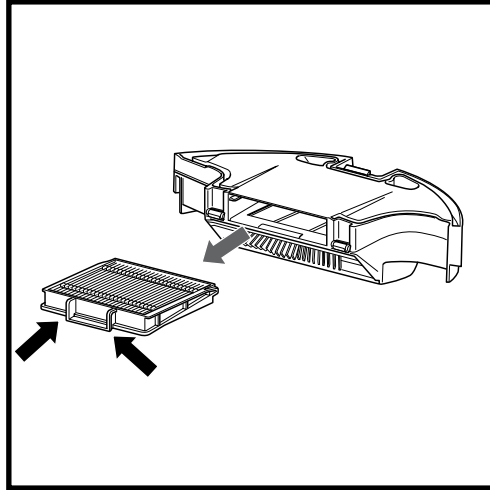
## MANTENIMIENTO

### CÓMO LIMPIAR Y REEMPLAZAR EL FILTRO

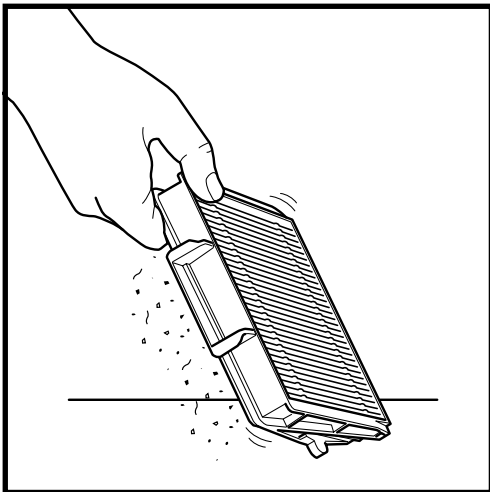
Para una potencia óptima de succión, luego de cada uso, limpie y vuelva a insertar el filtro dentro del recipiente para el polvo del robot. **Para adquirir filtros de repuesto, visite [sharkaccessories.com](http://sharkaccessories.com).**



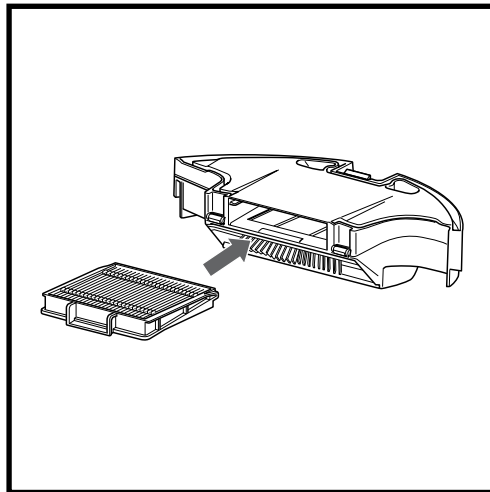
Retire y vacíe el recipiente para el polvo. Retire los cabellos o escombros del **peine antienredos** que se encuentra en la parte posterior del recipiente para el polvo.



Tire del filtro del recipiente para el polvo sujetándolo por las lengüetas.



Golpee suavemente el filtro para eliminar los residuos cada vez que vacíe el recipiente para el polvo. Para una limpieza más profunda, enjuague el filtro con agua una vez al mes. Deje que el filtro se seque al aire libre hasta por 24 horas antes de reinstalarlo.

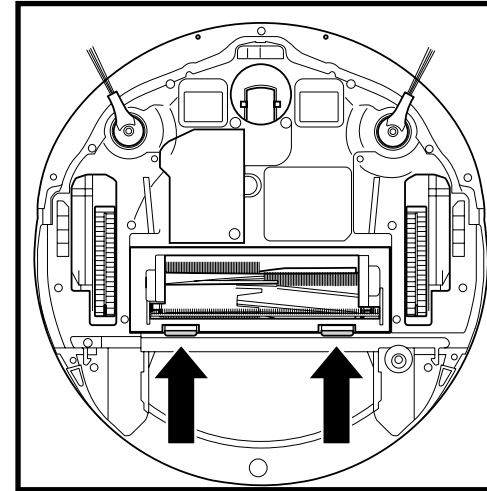


Vuelva a insertar el filtro en el recipiente para el polvo y luego deslice este último para volver a colocarlo en el robot y que encaje en su lugar.

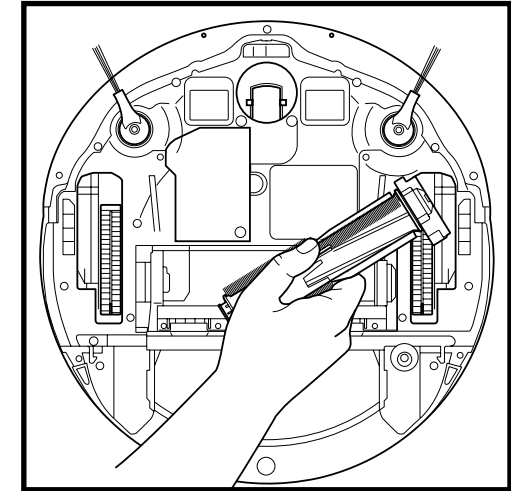
## MANTENIMIENTO

### CEPILLO GIRATORIO DE AUTOLIMPIEZA

El **cepillo giratorio de autolimpieza** elimina de forma activa el pelo enredado mientras el robot limpia. Si queda algo de residuos envueltos alrededor del cepillo giratorio, deje que el robot siga en funcionamiento para que el cepillo tenga tiempo de limpiarse por sí mismo. Si queda algo de pelo enredado o residuos después de una limpieza continua, retírelos cuidadosamente del cepillo giratorio.



Para acceder al cepillo giratorio, empuje hacia arriba las lengüetas de la cubierta del cepillo, luego levante y retire la cubierta.



Levante y retire el cepillo giratorio para retirar los residuos.

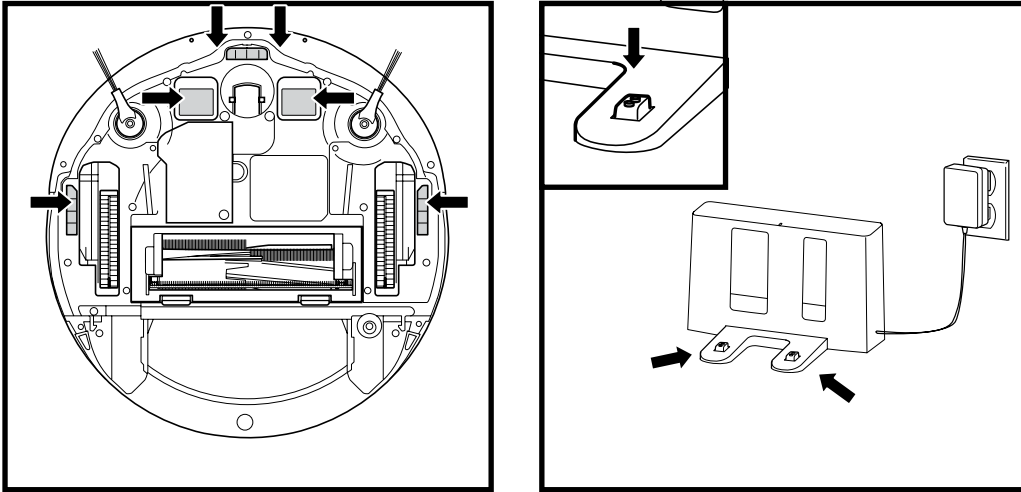
Vuelva a instalar el cepillo giratorio insertando primero el extremo plano. Cierre la cubierta del cepillo giratorio y presione hacia abajo hasta que ambos lados encajen y hagan clic.

**NOTA:** reemplace el cepillo giratorio cada 6 a 12 meses o cuando el desgaste sea visible. Para adquirir piezas de repuesto, visite [sharkaccessories.com](http://sharkaccessories.com)

## MANTENIMIENTO

### LIMPIEZA DE LOS SENSORES Y LOS CONTACTOS DE CARGA

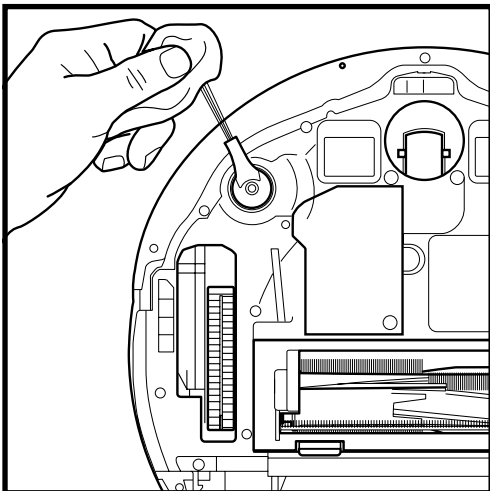
**LIMPIE LOS SENSORES Y LOS CONTACTOS DE CARGA SEGÚN SEA NECESARIO.** Con un paño seco, retire suavemente el polvo de los sensores y los contactos que se encuentran en la parte inferior del robot y en la base.



**IMPORTANTE:** el robot aspirador usa sensores de desnivel para evitar las escaleras y otros descensos abruptos. Los sensores pueden funcionar con menor eficacia cuando están sucios. Para obtener mejores resultados, limpie los sensores regularmente.

### LIMPIEZA DE LOS CEPILLOS LATERALES

**LIMPIE LOS CEPILLOS LATERALES SEGÚN SEA NECESARIO.**



Desenrolle y retire cuidadosamente cualquier hilo o pelo enredado en los cepillos.

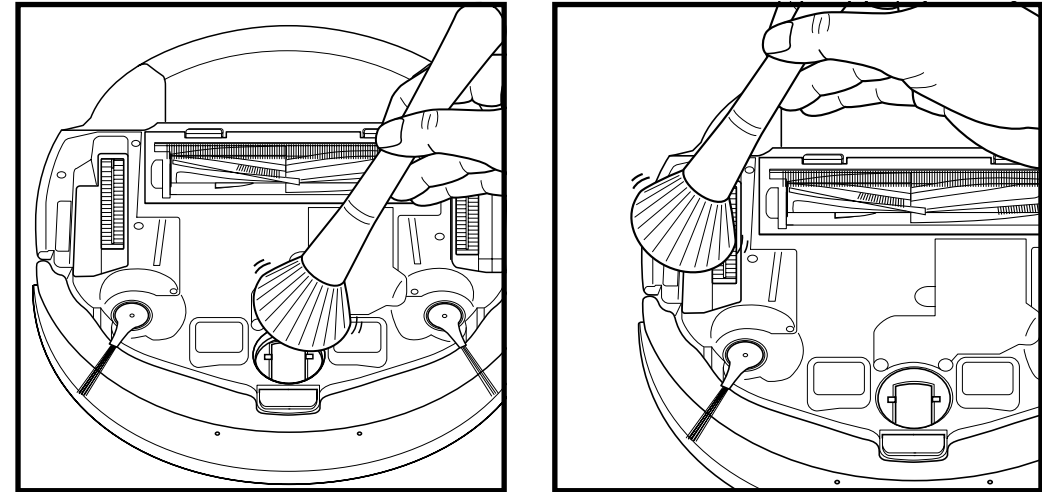
Limpie suavemente los cepillos con un paño seco. Para volver a instalar, haga encajar los cepillos en las clavijas. Haga girar los cepillos de forma manual para asegurarse de que estén instalados correctamente.

**NOTA:** retire y reemplace los cepillos laterales que estén doblados o dañados. Para retirar un cepillo, levántelo y quítelo de la clavija.

## MANTENIMIENTO

### LIMPIEZA DE LAS RUEDAS

**LIMPIE LA CARCASA DE LA RUEDA DELANTERA DE FORMA PERIÓDICA.** Para adquirir piezas de repuesto, visite [sharkaccessories.com](http://sharkaccessories.com)



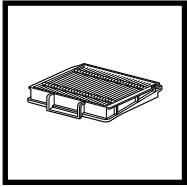
Gire la rueda delantera mientras retira suavemente con el cepillo la suciedad y los residuos. Limpie la rueda y la carcasa que la cubre.

Limpie de manera regular las ruedas motrices y sus carcasas. Para limpiar, gire cada rueda motriz mientras retira el polvo.

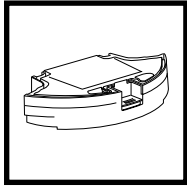
**NOTA:** cepillo no incluido.

## PIEZAS DE REPUESTO

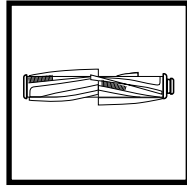
**NOTA:** para solicitar piezas de repuesto y filtros, visite [sharkaccessories.com](http://sharkaccessories.com).



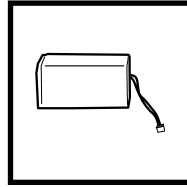
Filtro lavable



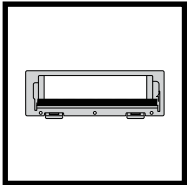
Recipiente para el polvo del robot



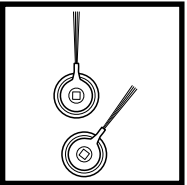
Cepillo giratorio



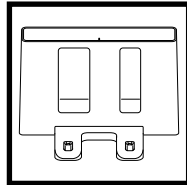
Batería



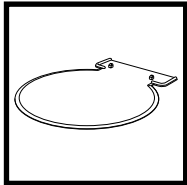
Cubierta de cepillo giratorio



Cepillos laterales

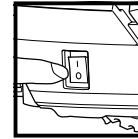


Base de carga



Plataforma de descanso de la base

## MANTENIMIENTO



**PRECAUCIÓN:** apague la unidad antes de realizar cualquier tipo de mantenimiento.

## SOLUCIÓN DE PROBLEMAS

Si alguna luz de error del AI Robot de Shark® se enciende o parpadea, consulte la siguiente tabla de códigos de error:

CÓDIGO DE ERROR	SOLUCIÓN
<b>LIMPIAR (ROJO) + ! (ROJO)</b> intermitente	Falla del motor de succión. Retire y vacíe el recipiente para el polvo, limpie los filtros y retire obstrucciones para asegurarse de que nada reduzca la succión.
<b>CLEAN (LIMPIEZA) (ROJO)</b> intermitente	El robot puede estar atascado con un obstáculo. Muévelo hacia otra ubicación sobre una superficie nivelada.
<b>DOCK (BASE) (ROJO)</b> intermitente	El parachoques delantero puede estar atascado. Limpie el parachoques y asegúrese de que se mueva libremente dentro y fuera.
<b>CLEAN (LIMPIEZA) (BLANCO) + DOCK (BASE) (ROJO)</b> continuo	Error de BotBoundary®. Mueva el robot a una superficie plana lejos de la tira magnética de bloqueo y trate de que limpie de nuevo.
<b>CLEAN (LIMPIEZA) (ROJO) + DOCK (BASE) (BLANCO)</b> intermitente	Error del sensor de desnivel. Mueva el robot a una nueva ubicación y limpie los sensores de desnivel.
<b>CLEAN (LIMPIEZA) (ROJO) + DOCK (BASE) (ROJO)</b> intermitente	El recipiente para el polvo ha sido retirado y debe colocarse de nuevo.
<b>DOCK (BASE) (ROJO) + ! (ROJO)</b> intermitente	El cepillo lateral está atascado. Retire los residuos que se encuentran en los cepillos laterales.
<b>CLEAN (LIMPIEZA) (ROJO) + DOCK (BASE) (ROJO) + ! (ROJO)</b> intermitente	Una rueda motriz está atascada. Limpie las ruedas y retire los residuos envueltos alrededor de los ejes.
<b>CLEAN (LIMPIEZA) (BLANCO) + DOCK (BASE) (ROJO) + ! (ROJO)</b> intermitente	Falla en el codificador del motor de la rueda. Apáguelo y vuelva a encenderlo.
<b>CLEAN (LIMPIEZA) (BLANCO) + ! (ROJO)</b> intermitente	Hay un bloqueo en el cepillo giratorio. Retire los residuos que se encuentran en el cepillo giratorio.
<b>CLEAN (LIMPIEZA) (ROJO) + DOCK (BASE) (BLANCO) + ! (ROJO)</b> intermitente	El robot detectó un error durante el arranque. Apáguelo y vuelva a encenderlo.
<b>CLEAN (LIMPIEZA) (BLANCO) + DOCK (BASE) (ROJO)</b> intermitente	El robot no puede ubicar la base. Recoja el robot y colóquelo en la base.
<b>ÍCONO DE BATERÍA (ROJO)</b> intermitente	La batería está muy baja y debe recargarse. Si su robot no puede acoplarse, coloque el robot manualmente en su base.
<b>CLEAN (LIMPIEZA) (ROJO) + DOCK (BASE) (BLANCO)</b> intermitente + <b>! (ROJO)</b>	El robot está atascado. Muévelo a una superficie nivelada.

Para todos los demás problemas, llame al Servicio al Cliente al 1-855-460-5425.



**IMPORTANTE: LEA ATENTAMENTE LOS TÉRMINOS Y CONDICIONES DE ESTE CONTRATO DE LICENCIA ANTES DE CONTINUAR CON LA INSTALACIÓN DE ESTE PROGRAMA O DE USAR ESTE PRODUCTO:** El Contrato de licencia del usuario final ("CLUF") de SharkNinja Operating LLC ("SharkNinja") es un acuerdo legal entre usted (ya sea una entidad única o una persona) y SharkNinja relativo a las aplicaciones de software de SharkNinja, incluidas las que Usted haya instalado en sus productos SharkNinja o las que ya estén instaladas en su dispositivo, incluido todo el firmware (en lo sucesivo, "Aplicaciones SN"). Al instalar, copiar, marcar una casilla, hacer clic en el botón que confirma su acuerdo con estos términos o de otro modo seguir utilizando las Aplicaciones SN, usted se compromete a cumplir con los términos de este CLUF. Este contrato de licencia representa la totalidad del acuerdo concerniente a las Aplicaciones SN, entre Usted y SharkNinja, y reemplaza cualquier propuesta, declaración o entendimiento previo entre las partes. Si no está de acuerdo con los términos del CLUF, no instale ni utilice las Aplicaciones SN o este producto. Las Aplicaciones SN están protegidas en virtud de las leyes de derechos de autor y los tratados internacionales de derechos de autor, así como por otras leyes y tratados en materia de propiedad intelectual.

#### **1. CONCESIÓN DE LICENCIA. Las Aplicaciones SN se otorgan bajo licencia de la siguiente manera:**

1.1 Instalación y uso. SharkNinja le concede a Usted el derecho a descargar, instalar y usar las Aplicaciones SN en la plataforma específica para la cual se diseñó la Aplicación SN y en relación con los productos SharkNinja para los cuales se diseñaron las Aplicaciones SN ("Dispositivos SN").

1.2 Copias de seguridad. También puede hacer una copia de las Aplicaciones SN que descargó e instaló con fines de copia de seguridad y archivo.

#### **2. DESCRIPCIÓN DE OTROS DERECHOS Y LIMITACIONES.**

2.1 Mantenimiento de avisos de derechos de autor. No debe retirar ni alterar ninguno de los avisos de derechos de autor de todas y cada una de las copias de las Aplicaciones SN.

2.2 Distribución. No puede distribuir copias de las Aplicaciones SN a terceros.

2.3 Prohibición de llevar a cabo ingeniería inversa, descompilación y desensamblado. No puede llevar a cabo ingeniería inversa, descompilar ni desensamblar las Aplicaciones SN, excepto y solo en la medida en que dicha actividad esté expresamente permitida por la ley aplicable sin perjuicio de esta limitación.

2.4 Alquiler. Usted no puede alquilar, arrendar ni prestar las Aplicaciones SN sin el permiso por escrito de SharkNinja.

2.5 PROHIBICIÓN DE REVENTA DEL SOFTWARE. Las aplicaciones identificadas como "Prohibida su reventa" (Not for Resale, "NFR"), no podrán ser revendidas, transferidas ni utilizadas con ningún otro fin que no sea la demostración, prueba o evaluación.

2.6 Servicios de soporte. SharkNinja puede proporcionarle Servicios de soporte relacionados con las Aplicaciones SN ("Servicios de soporte"). Cualquier código de software complementario que se le proporcione a Usted como parte de los Servicios de soporte se considerará parte de las Aplicaciones SN y estará sujeto a los términos y condiciones de este CLUF.

2.7 Cumplimiento de las leyes vigentes. Usted debe cumplir con todas las leyes vigentes relativas al uso de las Aplicaciones SN.

**3. ACTUALIZACIONES.** SharkNinja puede proporcionarle mejoras o actualizaciones de las Aplicaciones SN. Este CLUF regirá las actualizaciones proporcionadas por SharkNinja que reemplacen o complementen las Aplicaciones SN, a menos que dicha actualización vaya acompañada de un CLUF por separado, en cuyo caso regirán los términos de dicho CLUF. Si Usted decide no descargar y utilizar una mejora o actualización proporcionada por SharkNinja, entiende que podría poner en riesgo las Aplicaciones SN ante amenazas de seguridad graves o provocar que las Aplicaciones SN no se puedan utilizar o se vuelvan inestables.

**4. DATOS Y PRIVACIDAD.** SharkNinja se compromete a garantizar su privacidad al adherirse a los estándares de equidad e integridad más exigentes. Estamos comprometidos a mantener informados a nuestros clientes sobre cómo usamos la información que recopilamos de Usted a través del uso de cada uno de nuestros sitios web o de las Aplicaciones SN. Nuestras prácticas de privacidad se detallan en la Política de privacidad de SharkNinja, así como en avisos por separado al comprar o descargar una aplicación, un producto o un servicio. Al usar las Aplicaciones SN o proporcionarnos su información personal, Usted acepta y brinda su consentimiento con respecto a las prácticas, términos y condiciones expuestos en la Política de privacidad de SharkNinja. Su información será tratada en todo momento de acuerdo con la Política de privacidad de SharkNinja, que se incorpora por referencia a este CLUF y se puede consultar en la siguiente dirección URL: <http://www.sharkninja.com/privacypolicy>.

#### **5. BIBLIOTECAS DE APLICACIONES DE TERCEROS Y SOFTWARE INTEGRADO.**

5.1 Usted reconoce que Ayla Networks, Inc. ("Ayla") ha proporcionado ciertas bibliotecas de aplicaciones que han sido incorporadas a las Aplicaciones SN ("Bibliotecas de aplicaciones de Ayla") y permite que los Dispositivos SN se conecten al Servicio en la nube de Ayla ("Software integrado de Ayla").

5.2 No podrá usar las Bibliotecas de aplicaciones de Ayla excepto como una parte incorporada de las Aplicaciones SN, sin modificaciones con respecto a la forma en que estas le fueron proporcionadas.

5.3 No podrá usar el Software integrado de Ayla excepto como una parte incorporada de los Dispositivos SN, sin modificaciones con respecto a la forma en que este le fue proporcionado.

5.4 No podrá modificar, adaptar, traducir ni crear trabajos derivados basándose en las Bibliotecas de aplicaciones de Ayla o el Software integrado de Ayla, ni podrá descompilar, desensamblar, llevar a cabo ingeniería inversa ni intentar obtener el código fuente o los algoritmos subyacentes de estos.

5.5 SharkNinja conserva la titularidad sobre las Aplicaciones SN (y las Bibliotecas de aplicaciones de Ayla que se incluyan) y cualquier software instalado en los Dispositivos SN (incluido el Software integrado de Ayla) y a Usted solo se le concede una licencia para su uso en relación con las Aplicaciones SN y los Dispositivos SN.

5.6 Usted no podrá usar las Bibliotecas de aplicaciones de Ayla ni el Software integrado de Ayla para intentar obtener acceso no autorizado o usar los sistemas/servicios de otros licenciantes de SharkNinja; ni transmitirá virus, gusanos, caballos de Troya, bombas de tiempo, "spyware", "malware", sistemas de cancelación de exposiciones ("cancelbots"), mecanismos de recopilación pasiva, robots, software de minería de datos o cualquier otro código o programa malicioso o invasivo en los sistemas/servicios de otros licenciantes de SharkNinja.

5.7 No podrá usar las Bibliotecas de aplicaciones de Ayla ni el Software integrado de Ayla para interferir, violar o eludir ninguna característica de seguridad, característica de autenticación o cualquier otra característica que restrinja o imponga limitaciones en el uso o el acceso a los sistemas/servicios de otros licenciantes de SharkNinja.

5.8 No podrá rastrear, atacar, explorar ni evaluar la vulnerabilidad de los sistemas/servicios de otros licenciantes de SharkNinja.

5.9 Los otros licenciantes de SharkNinja de las Aplicaciones SN, las Bibliotecas de aplicaciones de Ayla y el Software integrado de Ayla son terceros beneficiarios expresos de este CLUF, y las disposiciones de esta Cláusula del presente se elaboran expresamente para el beneficio de tales licenciantes y pueden exigir su cumplimiento.

**6. RESCISIÓN.** Sin perjuicio de ningún otro derecho, SharkNinja puede rescindir este CLUF si usted no cumple con los términos y condiciones de este CLUF. En tal caso, usted debe destruir todas las copias de las Aplicaciones SN que tenga en su poder.

**7. DERECHOS DE AUTOR.** La titularidad, incluidos, entre otros, los derechos de autor, respecto de las Aplicaciones SN y las copias de estas son propiedad de SharkNinja o sus proveedores. La titularidad y los derechos de propiedad intelectual sobre el contenido al que se puede acceder mediante el uso de las Aplicaciones SN son propiedad del respectivo propietario del contenido y pueden estar protegidos en virtud de las leyes y tratados aplicables en materia de derechos de autor u otras leyes y tratados de propiedad intelectual. Este CLUF no le otorga a Usted ningún derecho a utilizar dicho contenido. SharkNinja se reserva todos los derechos no otorgados expresamente.

**8. SOFTWARE DE CÓDIGO ABIERTO.** Por este medio, Usted reconoce que las Aplicaciones SN pueden incluir software que está sujeto a licencias de "código abierto" o "software libre" ("software de código abierto"). La licencia concedida en virtud de este CLUF no se aplica al Software de código abierto que se incluye en las Aplicaciones SN. En lugar de ello, los términos y condiciones de la licencia de software de código abierto correspondiente se aplicarán al software de código abierto. Ninguna disposición de este CLUF limita sus derechos en virtud de cualquier licencia de software de código abierto ni le otorga derechos que sustituyan tal licencia. Usted reconoce que la licencia de software de código abierto es exclusiva entre Usted y el licenciante del software de código abierto correspondiente. En la medida en que los términos de las licencias aplicables al software de código abierto requieran que SharkNinja proporcione el software de código abierto, en formato de código o ejecutable, o que proporcione copias de términos de licencia aplicables u otro tipo de información requerida, Usted puede obtener una copia del software poniéndose en contacto con SharkNinja en la dirección que se indica más abajo. Información adicional sobre el software de código abierto y sus términos de uso pueden encontrarse en [www.sharkclean.com/opensource](http://www.sharkclean.com/opensource).

**9. AUSENCIA DE GARANTÍAS.** SharkNinja rechaza de forma expresa cualquier garantía con respecto a las Aplicaciones SN, las Bibliotecas de aplicaciones de Ayla o el Software integrado de Ayla. Las Aplicaciones SN, las Bibliotecas de aplicaciones de Ayla y el Software integrado de Ayla se proporcionan "en el estado en que se encuentran", sin garantía expresa o implícita de ningún tipo, incluidas, sin limitación, cualquier garantía de comerciabilidad, no infracción de derechos, idoneidad para un propósito particular o titularidad. SharkNinja no garantiza ni asume responsabilidad alguna respecto de la exactitud o integridad de cualquier información, texto, gráfico, enlace u otros elementos que se incluyan en las Aplicaciones SN. SharkNinja no ofrece garantías respecto a ningún daño que pueda ser provocado por la transmisión de un virus informático, gusano, bomba lógica u otro programa informático de este tipo. Asimismo, SharkNinja renuncia expresamente a cualquier garantía o declaración a favor de terceros.

**10. LIMITACIÓN DE RESPONSABILIDAD.** SharkNinja o sus proveedores no serán responsables en ningún caso de ningún daño especial, incidental, punitivo, indirecto o emergente (incluidos, entre otros, daños por pérdida de beneficios o información confidencial o de otro tipo; interrupción de la actividad comercial; lesiones personales; pérdida de la privacidad; incumplimiento de cualquier obligación, incluidas las obligaciones de buena fe o diligencia razonable; negligencia y cualquier otra pérdida pecuniaria o de cualquier otra índole) que surja o se relacione de alguna manera con el uso o la incapacidad de usar los Dispositivos SN o las Aplicaciones SN, el suministro o la falta de suministro de Servicios de soporte o de otro tipo, información, software y contenido relacionado a través del producto o que de alguna otra manera se derive del uso de las Aplicaciones SN o se produzca conforme o con relación a cualquier disposición de este CLUF, incluso en caso de culpa, responsabilidad civil (incluida la negligencia), responsabilidad objetiva, incumplimiento de contrato o incumplimiento de la garantía de SharkNinja o cualquier proveedor, o incluso si SharkNinja o cualquier proveedor hubieren sido informados de la posibilidad de que se produzcan tales daños. SharkNinja no tendrá ninguna responsabilidad con respecto al contenido de las Aplicaciones SN o cualquier parte de estas, incluidos, entre otros, errores u omisiones que se incluyan en ellas, calumnias, violaciones de los derechos de publicidad, privacidad, derechos de marca, interrupción de la actividad comercial, lesiones personales, pérdida de la privacidad, derechos morales o divulgación de información confidencial.

**11. LEY APLICABLE.** Las leyes de la Mancomunidad de Massachusetts regirán este CLUF y, por medio del presente, Usted se somete a la jurisdicción y fuero exclusivos de los tribunales estatales y federales que se encuentran en la Mancomunidad de Massachusetts.

**12. CESIÓN.** SharkNinja puede ceder este CLUF sin necesidad de notificación al Licenciante.

**13. ACUERDO COMPLETO.** Este CLUF (incluida cualquier adenda o enmienda al presente que se incluya en los Dispositivos SN) constituye el acuerdo completo entre usted y SharkNinja en relación con las Aplicaciones SN, y reemplaza todas las comunicaciones, propuestas y declaraciones previas o contemporáneas, verbales o escritas, con respecto a las Aplicaciones SN o cualquier otro asunto contemplado en este CLUF. En la medida en que los términos de cualquier política o programa de Servicios de soporte de SharkNinja contradigan los términos de este CLUF, los términos de este CLUF prevalecerán.

En caso de tener alguna pregunta con respecto a este CLUF, comuníquese con SharkNinja a la dirección: 89 A Street, Suite 100, Needham, MA 02494.

## GARANTÍA LIMITADA DE UN (1) AÑO

La garantía limitada de un (1) año se aplica a las compras realizadas a los vendedores minoristas autorizados de **SharkNinja Operating LLC**. La cobertura de garantía se aplica solo al propietario y al producto originales, y no puede transferirse.

SharkNinja garantiza que la unidad estará libre de defectos materiales y de mano de obra durante un período de un (1) año desde la fecha de compra, siempre y cuando se use en condiciones domésticas normales y se efectúe su mantenimiento de acuerdo con los requisitos descritos en este manual del propietario, sujeto a las siguientes condiciones y exclusiones:

### ¿Qué cubre esta garantía?

1. La unidad original o las piezas que no se gastan que se consideren defectuosos, a criterio exclusivo de SharkNinja, serán reparados o reemplazados un período máximo de un (1) año a partir de la fecha de compra original.
2. En el caso de que se entregue una unidad de reemplazo, la cobertura de la garantía termina seis (6) meses después de la fecha de recepción de la unidad de reemplazo o cuando termine el plazo restante de la garantía vigente, lo que sea posterior. SharkNinja se reserva el derecho a reemplazar la unidad con una de igual o mayor valor.

### ¿Qué no cubre esta garantía?

1. Esta garantía no cubre el desgaste normal de las piezas que se gastan (como los filtros de espuma, los filtros HEPA, las almohadillas, etc.), que requieren mantenimiento o reemplazo regular para asegurar el funcionamiento adecuado de la unidad. Se pueden comprar piezas de repuesto disponibles en [sharkaccessories.com](http://sharkaccessories.com).
2. Cualquier unidad que haya sido alterada o usada con fines comerciales.
3. Daños causados por el uso incorrecto (p. ej.: aspirar agua u otros líquidos), abuso, manipulación negligente, falta de mantenimiento necesario (p. ej.: no limpiar los filtros) o daños debidos al mal trato durante el transporte.
4. Daños emergentes o incidentales.
5. Defectos causados por personas que hacen reparaciones y no estén autorizadas por SharkNinja. Estos defectos incluyen daños causados en el proceso de envío, modificación o reparación del producto SharkNinja (o cualquiera de sus piezas) cuando la reparación es realizada por una persona que no está autorizada por SharkNinja.
6. Productos comprados, usados u operados fuera de Norteamérica.

### Cómo solicitar el servicio técnico

Si su aparato no funciona adecuadamente cuando se usa en condiciones domésticas normales dentro del período de garantía, visite [sharkclean.com/support](http://sharkclean.com/support) para obtener instrucciones de cuidado y mantenimiento del producto que usted mismo pueda llevar a cabo. Nuestros especialistas de servicio al cliente también están a su disposición si llama al **1-855-460-5425** para asistirlo con todas las opciones de servicio de garantía y soporte del producto, incluida la posibilidad de mejorar su garantía a nuestras opciones de servicio de garantía VIP para categorías de productos exclusivos. Para poder asistirle mejor, registre el producto en línea en [registryourshark.com](http://registryourshark.com) y tenga el producto en la mano cuando llame.

SharkNinja cubrirá el costo de envío de la unidad por parte del cliente para ser reparada o reemplazada. Se cobrará una tarifa de 24,95 USD (sujeto a cambios) cuando SharkNinja envíe la unidad reparada o el reemplazo.


### Cómo iniciar un reclamo de garantía

Debe llamar al **1-855-460-5425** para iniciar un reclamo de garantía. Necesitará el recibo como prueba de compra. Le solicitamos también registrar el producto en línea en [registryourshark.com](http://registryourshark.com) y tener el producto en la mano cuando llame para poder asistirle mejor. Un especialista de servicio al cliente le proporcionará instrucciones para la devolución y el embalaje.

### Cómo se aplica la ley estatal

Esta garantía le otorga derechos legales específicos, y usted también puede tener otros derechos que varían según el estado. Algunos estados no permiten la exclusión o la limitación de los daños incidentales o emergentes, por lo que lo anterior puede no aplicarse en su caso.

## REGISTRE SU COMPRA

 [registryourshark.com](http://registryourshark.com)



## REGISTRE ESTA INFORMACIÓN

Número de modelo: \_\_\_\_\_

Código de fecha: \_\_\_\_\_

Fecha de compra: \_\_\_\_\_  
(Conserve el recibo)

Tienda donde la adquirió: \_\_\_\_\_

**SUGERENCIA:** puede encontrar los números de modelo y de serie en las etiquetas del código QR en la base del robot y la batería.

## RENDIMIENTO PREVISTO

Tiempo de funcionamiento previsto: 60 minutos

Tiempo de carga previsto: 6 horas



### Advertencia de la FCC

Este equipo ha sido probado y cumple con los límites para un dispositivo digital de clase B conforme al apartado 15 de las normas de la Comisión Federal para las Comunicaciones (Federal Communications Commission, FCC). Estos límites están concebidos para brindar una protección razonable contra interferencias dañinas en una instalación residencial. Este equipo genera, utiliza y puede irradiar energía de radiofrecuencia y, si no se instala de conformidad con las instrucciones, puede causar interferencia dañina en las comunicaciones de radio. Sin embargo, esto no garantiza que no ocurrirán interferencias en una instalación en particular. Si este equipo causa interferencia dañina en la recepción de radio y televisión, que se puede determinar al encender y apagar el equipo, se recomienda al usuario que intente corregir la interferencia mediante una o más de las siguientes medidas:

- Cambie la orientación o la ubicación de la antena receptora.
- Aumente la separación entre el equipo y el receptor.
- Conecte el equipo a una toma de corriente de un circuito diferente que no esté usando el receptor.
- Consulte con el distribuidor o un técnico especializado en radio/TV para obtener ayuda.

Este dispositivo cumple con el apartado 15 de las Normas de la FCC. El funcionamiento está sujeto a las condiciones indicadas a continuación:

**1** Es posible que este dispositivo no cause interferencia dañina.

**2** Este dispositivo debe aceptar cualquier interferencia recibida, incluida la interferencia que pueda causar un funcionamiento no deseado.

Los cambios o las modificaciones que no sean aprobados expresamente por la parte responsable del cumplimiento podrían anular la autorización del usuario para utilizar este dispositivo.



### EXTRACCIÓN Y ELIMINACIÓN DE LA BATERÍA

Este producto usa una batería. Cuando la batería ya no mantiene la carga, debe extraerse de la aspiradora y reciclarse. **NO** incinere la batería ni la mezcle con desechos orgánicos.

Cuando la batería de iones de litio deba ser reemplazada, deséchela o recíclala de acuerdo con las ordenanzas o los reglamentos locales. En algunas áreas, es ilegal colocar las baterías de iones de litio agotadas en la basura o en el flujo de residuos sólidos municipales. Deposite la batería agotada en un centro de reciclaje autorizado o con un minorista para su reciclaje. Comuníquese con el centro local de reciclaje para obtener información sobre dónde depositar la batería agotada.

**Para obtener más información sobre cómo extraer la batería para su eliminación, visite [sharkclean.com/batterysupport](http://sharkclean.com/batterysupport).**

El sello RBRC™ (Rechargeable Battery Recycling Corporation) en la batería de iones de litio indica que los costos para reciclar la batería al final de su vida útil ya han sido cubiertos por SharkNinja. En algunas áreas, es ilegal colocar las baterías de iones de litio agotadas en la basura o en el flujo de residuos sólidos municipales, y el programa RBRC brinda una alternativa respetuosa con el medioambiente.

RBRC, junto con SharkNinja y otros usuarios de baterías, han establecido programas en los Estados Unidos y Canadá para facilitar la recolección de baterías de iones de litio agotadas. Para ayudar a proteger el medioambiente y a conservar los recursos naturales, devuelva las baterías de iones de litio agotadas a un centro de servicio autorizado de SharkNinja o a su minorista local para su reciclaje. También puede comunicarse con el centro local de reciclaje para obtener información sobre dónde depositar la batería agotada o llamar al 1-800-798-7398.

## **PLEASE READ CAREFULLY AND KEEP FOR FUTURE REFERENCE.**

This Owner's Guide is designed to help you keep your Shark® AI Robot running at peak performance.

SharkNinja Operating LLC  
US: Needham, MA 02494  
CAN: Ville St-Laurent, QC H4S 1A7  
1-855-460-5425  
sharkclean.com

Illustrations may differ from actual product. We are constantly striving to improve our products; therefore the specifications contained herein are subject to change without notice.

For SharkNinja U.S. Patent information, visit [sharkninja.com/uspatents](http://sharkninja.com/uspatents)

## **VEUILLEZ LIRE ATTENTIVEMENT LE PRÉSENT MODE D'EMPLOI ET LE CONSERVER À TITRE INFORMATIF.**

Ce guide de l'utilisateur a été conçu afin que vous puissiez faire fonctionner votre Shark® AI Robot au maximum de ses performances.

SharkNinja Operating LLC  
États-Unis : Needham, MA 02494  
Canada : Saint-Laurent (Québec) H4S 1A7  
1 855 460-5425  
sharkclean.com

Les illustrations peuvent différer du produit réel. Nous tentons constamment d'améliorer nos produits ; par conséquent, les caractéristiques indiquées dans le présent guide peuvent être modifiées sans préavis.

Pour obtenir de l'information au sujet des brevets de SharkNinja aux États-Unis, consultez [sharkninja.com/uspatents/](http://sharkninja.com/uspatents/)

## **LEA ATENTAMENTE Y GUARDE COMO REFERENCIA PARA EL FUTURO.**

Esta Guía del usuario se ha diseñado para ayudarlo a mantener su AI Robot de Shark® en perfecto funcionamiento.

SharkNinja Operating LLC  
EE. UU.: Needham, MA 02494  
CAN: Ville St-Laurent, QC H4S 1A7  
1-855-460-5425  
sharkclean.com

Las ilustraciones pueden diferir del producto real. Nos esforzamos constantemente para mejorar nuestros productos. Por tanto, las especificaciones contenidas en este documento están sujetas a cambios sin previo aviso.

Para obtener información sobre la patente de SharkNinja en EE. UU., visite [sharkninja.com/uspatents](http://sharkninja.com/uspatents).

---

© 2021 SharkNinja Operating LLC. BOTBOUNDARY and SHARK are registered trademarks of SharkNinja Operating LLC. IQ NAVIGATION and SHARKCLEAN are trademarks of SharkNinja Operating LLC. RBRC is a trademark of Rechargeable Battery Recycling Corporation. APPLE, the Apple logo, and iPhone are trademarks of Apple Inc., registered in the U.S. and other countries. APP STORE is a service mark of Apple Inc., registered in the U.S. and other countries. GOOGLE, GOOGLE ASSISTANT, GOOGLE PLAY, the Google Play logo, and Android are trademarks of GOOGLE LLC.

© 2021 SharkNinja Operating LLC. 2020.BOTBOUNDARY et SHARK sont des marques de commerce déposées de SharkNinja Operating LLC. IQ NAVIGATION et SHARKCLEAN sont des marques de commerce de SharkNinja Operating LLC. RBRC est une marque de commerce de la Société de recyclage des piles et des batteries rechargeables. APPLE, le logo Apple et iPhone sont des marques de commerce d'Apple Inc., enregistrées aux États-Unis et dans d'autres pays. APP STORE est une marque de service d'Apple Inc., enregistrée aux États-Unis et dans d'autres pays. GOOGLE, GOOGLE ASSISTANT, GOOGLE PLAY, le logo Google Play et Android sont des marques de commerce de GOOGLE LLC.

© 2021 SharkNinja Operating LLC. BOTBOUNDARY y SHARK son marcas comerciales registradas de SharkNinja Operating LLC. IQ NAVIGATION y SHARKCLEAN son marcas comerciales registradas de SharkNinja Operating LLC. RBRC es una marca comercial de Rechargeable Battery Recycling Corporation. APPLE, el logotipo de Apple y iPhone son marcas comerciales de Apple Inc., registradas en EE. UU. y en otros países. APP STORE es una marca de servicio de Apple Inc., registrada en EE. UU. y en otros países. GOOGLE, GOOGLE ASSISTANT, GOOGLE PLAY, el logotipo de Google Play y Android son marcas comerciales de GOOGLE LLC.

RV2000Series\_IB\_E\_F\_S\_REV\_Mv10  
PRINTED IN CHINA / IMPRIMÉ EN CHINE / IMPRESO EN CHINA



@sharkcleaning