

Shark WANDVAC™

CORD-FREE HANDHELD VACUUM

WV200C



IMPORTANT SAFETY INSTRUCTIONS - FOR HOUSEHOLD USE ONLY READ CAREFULLY BEFORE USE - SAVE THESE INSTRUCTIONS

⚠ WARNING

To reduce the risk of injury, fire, electric shock, and property damage resulting from improper use of the appliance, carefully observe the following instructions. This unit contains electrical connections and moving parts that potentially present risk to the user.

POWER SUPPLY, CHARGING DOCK, AND VACUUM CONTAIN ELECTRICAL CONNECTIONS:

1. There are **NO** serviceable parts.
2. **DO NOT** use to vacuum any liquids.
3. **DO NOT** immerse in water or other liquids.
4. If vacuum is damaged, discontinue use.
5. To avoid fire, explosion, or injury, inspect vacuum and charging dock for any damage before use. **DO NOT** use damaged vacuum or charging dock.
6. **DO NOT** use outdoors or on wet surfaces. Use only on dry surfaces.
7. If vacuum cleaner is not working as it should, or has been dropped, damaged, left outdoors, or immersed in water, return it to SharkNinja Operating LLC for examination, repair, or adjustment.
8. **DO NOT** handle charger or vacuum cleaner with wet hands.
9. **DO NOT** leave vacuum cleaner unattended while powered on.
10. Keep vacuum away from heated surfaces.
11. Always turn off vacuum before connecting charging dock.
12. Use only Shark® chargers and batteries. Other types of batteries may burst, causing injury and damage.
13. Use charging dock on flat and stable surfaces only.
14. **DO NOT** incinerate appliance, even if it is severely damaged, as lithium-ion battery may explode in a fire.

GENERAL USE

15. **DO NOT** carry the charger by the cord or yank to disconnect from an outlet; instead grasp the plug and pull to disconnect.
16. Keep charger cord away from heated surfaces.
17. Use only as described in this manual.
18. Keep your work area well lit.
19. To avoid unintentional starting, always turn off the vacuum cleaner before picking it up or carrying it, and before attaching or detaching the charger, dust cup, filter, or any accessories.
20. **DO NOT** put any objects into openings.
21. **DO NOT** use if any opening is blocked; keep free of dust, lint, hair, or anything that may reduce airflow.
22. This vacuum is not a toy, and must not be played with. Children over 8 years old and persons with reduced physical, sensory, or mental capabilities may only use the vacuum with supervision or prior safety instruction and an understanding of the hazards involved. Children may not clean or maintain the vacuum without supervision.

23. **DO NOT** use without dust cup and filter in place.
24. **DO NOT** use if airflow is restricted; if the air paths become blocked, turn off the vacuum cleaner. Clear all obstructions and power on again.
25. Keep nozzle away from hair, face, fingers, uncovered feet, or loose clothing.
26. Only use manufacturer's recommended attachments.
27. **DO NOT** charge at temperatures below 50°F (10°C) or above 104°F (40°C). Charging improperly or at temperatures outside of the specified range may damage the battery and increase the risk of fire.
28. Store the appliance indoors. **DO NOT** use or store it below 37.4°F (3°C). Ensure the appliance is at room temperature before operating.

DUST CUP/FILTERS/ACCESSORIES

Before turning on the vacuum:

29. Make sure filter is thoroughly dry after routine cleaning.
30. Make sure dust cup and filter are in place after routine maintenance.
31. Make sure accessories are free of blockages and keep openings away from face and body.
32. Use only Shark® brand filters and accessories. Using other brands will void warranty.

GENERAL CLEANING

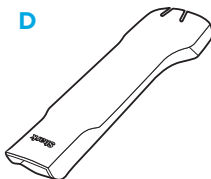
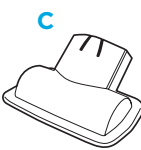
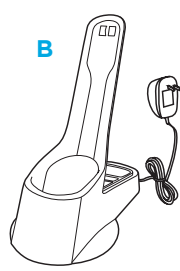
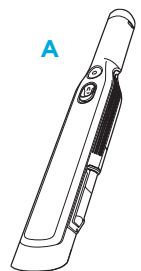
33. **DO NOT** vacuum up hard or sharp objects such as glass, nails, screws, or coins that could damage the vacuum cleaner.
34. **DO NOT** vacuum up drywall dust, fireplace ash, or embers.
35. **DO NOT** use as an attachment to power tools for dust collection.
36. **DO NOT** vacuum up smoking or burning objects such as hot coals, cigarette butts, or matches.
37. **DO NOT** vacuum up flammable or combustible materials (e.g., lighter fluid, gasoline, or kerosene) or use vacuum in areas where they may be present.
38. **DO NOT** vacuum up toxic solutions (e.g., chlorine bleach, ammonia, or drain cleaner).
39. **DO NOT** use in an enclosed space where vapors are present from paint, paint thinner, moth-proofing substances, flammable dust, or other explosive or toxic materials.
40. **DO NOT** immerse vacuum cleaner in water or other liquids.

LITHIUM-ION BATTERY

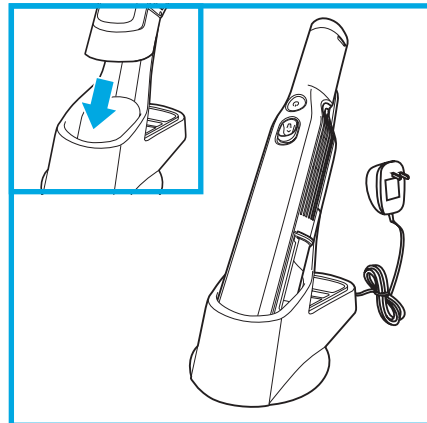
41. Use extra care when cleaning on stairs.
42. The battery is the power source for the appliance. **DO NOT** carry the appliance with your finger on the power button. **DO NOT** charge appliance with the power on.
43. Use only the included charging dock to charge. Use of incorrect charger may create a risk of fire.
44. Use appliance only with included lithium-ion battery. Use of any other battery may create a risk of injury and fire.
45. Under abusive conditions, liquid may be ejected from the battery. Avoid contact with liquid, as it may cause irritation or burns. If contact occurs, flush with water. If liquid contacts eyes, seek medical help.
46. Store the appliance indoors. To maintain battery life, **DO NOT** use or store battery at temperatures below 37.4°F (3°C) or above 104°F (40°C).
47. **DO NOT** expose appliance to fire or temperature above 266°F (130°C) as it may cause explosion.
48. There are **NO** serviceable parts. To ensure safety, **DO NOT** modify or attempt to repair the appliance.

WHAT'S INSIDE

- A Shark WANDVAC
- B WANDVAC Charging Dock
- C Multi-Surface Pet Tool
- D Crevice Tool



CHARGING THE BATTERY



Prior to first use, the lithium-ion battery must be charged completely, even if it comes with a partial charge. Place the Shark WANDVAC onto the WANDVAC Charging Dock with the nozzle in the cradle. Plug the charging dock into a wall outlet.

In Use



Solid blue

Low Battery



Blinking

Charging



Fades in and out

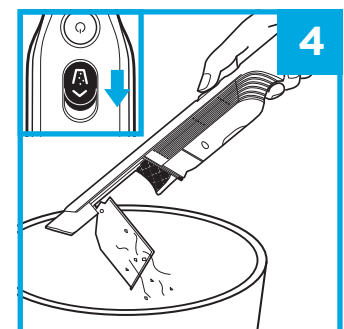
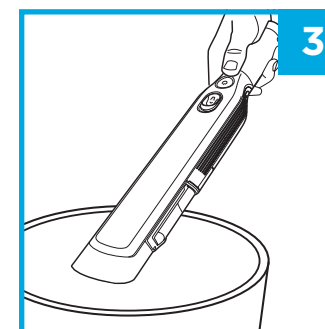
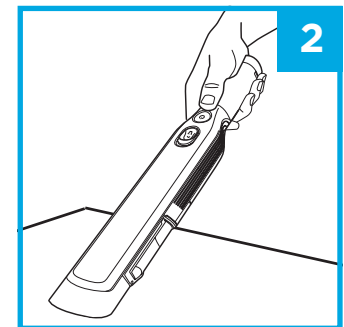
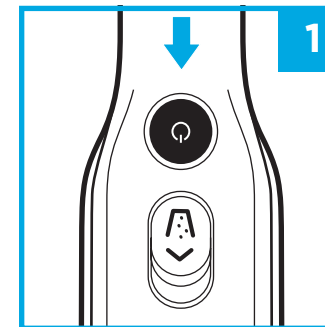
Charged



Dim

NOTE: During first use, discharge fully to properly condition the battery. It takes approximately 2.5 hours to charge battery completely.

USING YOUR SHARK WANDVAC™

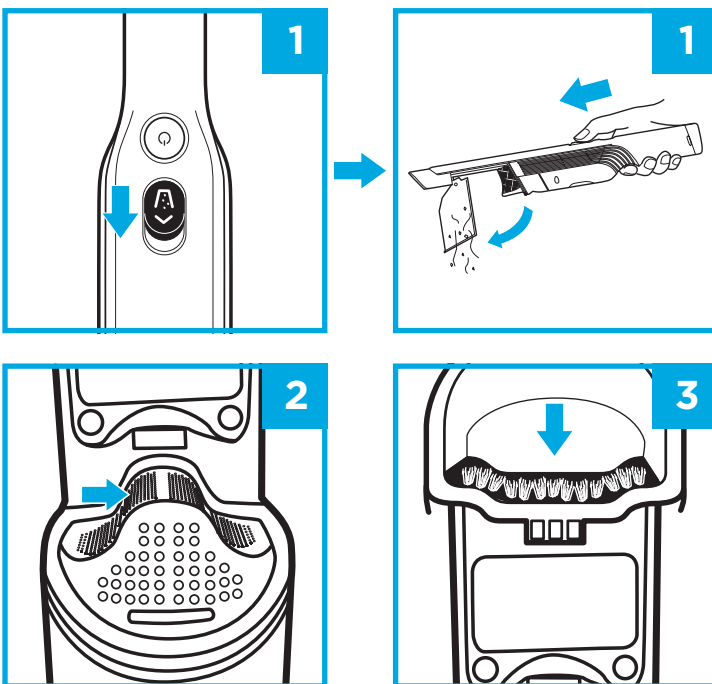


1. Press Power button.
2. Run the nozzle over the surface to be cleaned.
3. To empty dust cup, hold your WANDVAC over the trash.
4. Slide dust cup button forward to release debris.

NOTE: For maintenance, see reverse side.

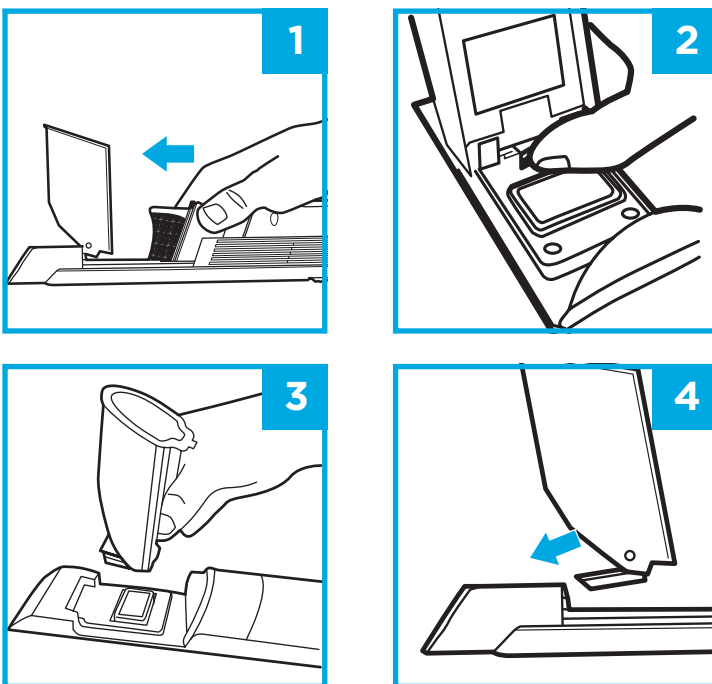
MAINTENANCE

EMPTYING THE DUST CUP



1. With the power off, slide the Open Dust Cup button forward, and the dust cup will swing open.
2. Tap dust cup filter screen lightly to knock off dust and debris.
3. Wipe dust cup bristle lightly with dry cloth to remove dust and dirt.

CLEANING THE DUST CUP

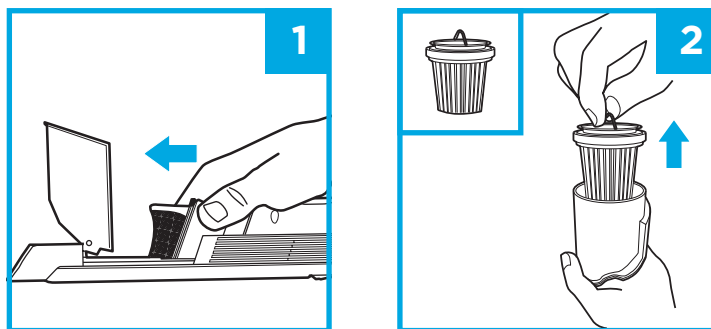


1. With the dust cup open and the power off, pinch both sides of the filter housing and slide it forward to remove.
2. With the dust cup open, push the release button.
3. While holding in the button, lift off the dust cup, then hand-wash it with soap and water only. Let parts air-dry fully before reinstalling.
4. To reinstall, slide the tab on the dust cup into the slot on the bottom of the nozzle until it clicks into place.

Do not wash any parts of this vacuum or its accessories in a dishwasher.

MAINTENANCE

CLEANING THE FILTER



1. With the dust cup open and the power off, pinch both sides of the filter housing and slide it forward to remove.
2. Lift the fabric filter by the metal ring to remove it from the housing.

To clean the fabric filter, tap to remove dust and large particles. To deep clean, hand-wash only with water and let air-dry for 24 hours before reinstalling.

To clean the filter housing, make sure filter is removed, then hand-wash with water only.

TROUBLESHOOTING AND ERROR CODES

LIGHT INDICATOR	WHAT IT MEANS
Light blinking blue	Low battery.
Light blinks blue twice, then pauses	Blockage. Turn off power and remove blockage, then turn power back on.
Solid blue light	Power is on.
Blue light fades in and out steadily	Unit is charging.
Dim blue light	Unit is fully charged.
No light	Power is off, or unit needs recharge.

FIND ALL FAQs AND ADDITIONAL ACCESSORIES AVAILABLE FOR PURCHASE AT SHARKCLEAN.COM

The Shark WANDVAC™ will not operate.

- The battery needs to be recharged.
- Try using a different electrical outlet to charge.
- The battery is damaged and needs to be replaced.

The Shark WANDVAC will not pick up debris or suction is weak.

- The dust cup is full. Empty the dust cup.
- The fabric filter needs cleaning or replacement. Clean or replace the fabric filter.
- The battery needs to be recharged.
- The filter screen is clogged and needs cleaning. Open dust cup and clean filter screen.

Dust is escaping from the Shark WANDVAC.

- The fabric filter is not installed correctly. Remove filter, then reinstall.
- The dust cup fabric filter has a hole or a puncture and needs to be replaced.
- The dust cup is not installed correctly. Remove dust cup, then reinstall.

I dropped my unit and the dust cup fell off.

- To reinstall, slide the tab on the dust cup into the slot on the bottom of the nozzle until it clicks into place.

REGISTER YOUR PURCHASE

registryourshark.com

Scan QR code using mobile device



TECHNICAL SPECIFICATIONS

Battery Voltage: 10.8V
Motor Watts: 115W
Amps: 10.6A

Shark WANDVAC Cord-Free Handheld Vacuum charger part number: 1076F1200

TWO-YEAR LIMITED WARRANTY

The Two (2) Year Limited Warranty applies to purchases made from authorized retailers of **SharkNinja Operating LLC**. Warranty coverage applies to the original owner and to the original product only and is not transferable.

SharkNinja warrants that the unit shall be free from defects in material and workmanship for a period of two (2) years from the date of purchase when it is used under normal household conditions and maintained according to the requirements outlined in the Owner's Guide, subject to the following conditions and exclusions:

What is covered by this warranty?

1. The original unit and/or non-wearable components deemed defective, in SharkNinja's sole discretion, will be repaired or replaced up to two (2) years from the original purchase date.
2. In the event a replacement unit is issued, the warranty coverage ends six (6) months following the receipt date of the replacement unit or the remainder of the existing warranty, whichever is later. SharkNinja reserves the right to replace the unit with one of equal or greater value.

What is not covered by this warranty?

1. Normal wear and tear of wearable parts (such as foam filters, HEPA filters, pads, etc.), which require regular maintenance and/or replacement to ensure the proper functioning of your unit, are not covered by this warranty. Replacement parts are available for purchase at sharkaccessories.com.
2. Any unit that has been tampered with or used for commercial purposes.
3. Damage caused by misuse (e.g., vacuuming up water or other liquids), abuse, negligent handling, failure to perform required maintenance (e.g., not cleaning the filters), or damage due to mishandling in transit.
4. Consequential and incidental damages.
5. Defects caused by repair persons not authorized by SharkNinja. These defects include damages caused in the process of shipping, altering, or repairing the SharkNinja product (or any of its parts) when the repair is performed by a repair person not authorized by SharkNinja.
6. Products purchased, used, or operated outside North America.

How to get service

If your appliance fails to operate properly while in use under normal household conditions within the warranty period, visit sharkclean.com/support for product care and maintenance self-help. Our Customer Service Specialists are also available at **1-800-798-7398** to assist with product support and warranty service options, including the possibility of upgrading to our VIP warranty service options for select product categories.

SharkNinja will cover the cost for the customer to send in the unit to us for repair or replacement. A fee of \$24.95 (subject to change) will be charged when SharkNinja ships the repaired or replacement unit.

How to initiate a warranty claim

You must call **1-800-798-7398** to initiate a warranty claim. You will need the receipt as proof of purchase. A Customer Service Specialist will provide you with return and packing instruction information.

How state law applies

This warranty gives you specific legal rights, and you also may have other rights that vary from state to state. Some states do not permit the exclusion or limitation of incidental or consequential damages, so the above may not apply to you.

To better assist you, we ask that you register the product and have it with you when you call.

BATTERY REMOVAL AND DISPOSAL

This product uses a rechargeable and reusable lithium-ion battery. When the battery no longer holds a charge, it should be removed from the hand vacuum and recycled. **DO NOT** incinerate or compost the battery.

When your lithium-ion battery needs to be replaced, dispose of it or recycle it in accordance with local ordinances or regulations. In some areas, it is illegal to place spent lithium-ion batteries in the trash or in a municipal solid waste stream. Return spent battery to an authorized recycling center or to retailer for recycling. Contact your local recycling center for information on where to drop off the spent battery.

For more information on battery removal for disposal, please visit sharkclean.com/batterysupport



The RBRC™ (Rechargeable Battery Recycling Corporation) seal on the lithium-ion battery indicates that the costs to recycle the battery at the end of its useful life have already been paid by SharkNinja. In some areas, it is illegal to place spent lithium-ion batteries in the trash or municipal solid waste stream and the RBRC program provides an environmentally conscious alternative.

RBRC, in cooperation with SharkNinja and other battery users, has established programs in the United States and Canada to facilitate the collection of spent lithium-ion batteries. Help protect our environment and conserve natural resources by returning the spent lithium-ion battery to an authorized SharkNinja service center or to your local retailer for recycling. You may also contact your local recycling center for information on where to drop off the spent battery, or call 1-800-798-7398.

RECORD THIS INFORMATION

Model Number: _____

Date of Purchase: _____
(Keep receipt)

Store of Purchase: _____

© 2019 SharkNinja Operating LLC.
Needham, MA 02494/Ville St. Laurent, Québec H4S 1A7
1-800-798-7398
sharkclean.com

SHARK is a registered trademark of SharkNinja Operating LLC. SHARK WANDVAC is a trademark of SharkNinja Operating LLC. RBRC is a trademark of Rechargeable Battery Recycling Corporation.

For Shark | Ninja U.S. Patent information visit sharkninja.com/uspatents

Printed in China.

Illustrations may differ from actual product.

Shark WANDVAC™

ASPIRATEUR PORTATIF SANS CORDON

WV200C



CONSIGNES DE SÉCURITÉ IMPORTANTES – POUR UTILISATION DOMESTIQUE SEULEMENT VEUILLEZ LIRE ATTENTIVEMENT AVANT L'UTILISATION – CONSERVEZ CES INSTRUCTIONS

⚠ AVERTISSEMENT

Afin de réduire les risques de blessures, d'incendie, de décharges électriques et de dommages matériels causés par une mauvaise utilisation de l'appareil, veuillez suivre attentivement les instructions ci-dessous. Cet appareil comporte des raccordements électriques et des pièces amovibles pouvant exposer l'utilisateur à certains risques.

L'ALIMENTATION ÉLECTRIQUE, LA STATION DE RECHARGE, ET L'ASPIRATEUR CONTIENNENT DES RACCORDEMENTS ÉLECTRIQUES :

1. **AUCUNE** pièce n'est réparable.
2. **N'UTILISEZ PAS** cet aspirateur pour aspirer des liquides.
3. **NE PLONGEZ PAS** l'aspirateur dans l'eau ou dans d'autres liquides.
4. Si l'aspirateur est endommagé, cessez l'utilisation.
5. Afin d'éviter un feu, une explosion ou une blessure, veuillez inspecter l'aspirateur et la station de recharge avant toute utilisation. **N'UTILISEZ PAS** un aspirateur ou une station de recharge endommagés.
6. **N'UTILISEZ PAS** l'appareil à l'extérieur ou sur des surfaces mouillées. Utilisez l'appareil uniquement sur des surfaces sèches.
7. Si l'aspirateur ne fonctionne pas normalement, a subi une chute, a été endommagé, a été laissé à l'extérieur ou a été immergé dans l'eau, retournez-le à SharkNinja Operating LLC aux fins d'examen, de réparation ou d'ajustement.
8. **NE MANIPULEZ PAS** le chargeur ou l'aspirateur avec les mains mouillées.
9. **NE LAISSEZ PAS** l'aspirateur sans surveillance pendant qu'il est en marche.
10. Éloignez l'aspirateur des surfaces chaudes.
11. Éteignez toujours l'aspirateur avant de le connecter à la station de recharge.
12. Utilisez uniquement des chargeurs et des batteries Shark®. D'autres types de batteries peuvent éclater, causant ainsi des blessures et des dommages matériels.
13. N'utilisez la station de recharge que sur des surfaces plates et stables.
14. **N'EXPOSEZ PAS** l'appareil à des flammes, même s'il est gravement endommagé, car la batterie au lithium-ion pourrait exploser.

EMPLOI GÉNÉRAL

15. **NE TRANSPORTEZ PAS** l'appareil par le cordon d'alimentation et ne tirez pas sur celui-ci pour débrancher l'appareil; tirez plutôt sur la fiche.
16. Éloignez le cordon du chargeur des surfaces chaudes.
17. Utilisez cet appareil uniquement aux fins décrites dans ce manuel.
18. Gardez la zone de travail bien éclairée.
19. Pour éviter tout démarrage involontaire de l'aspirateur, assurez-vous que l'interrupteur d'alimentation principal est en position OFF (arrêt) avant de prendre ou de transporter l'appareil, de brancher ou de débrancher le chargeur, ou de retirer ou de replacer le récipient à poussière, le filtre, ou tout autre accessoire.
20. **N'INSÉREZ PAS** d'objets dans les ouvertures de l'appareil.
21. **N'UTILISEZ PAS** l'appareil si une ouverture est obstruée. Veillez à ce que les ouvertures ne soient pas bloquées par de la poussière, de la peluche, des cheveux ou tout autre élément qui pourrait gêner la circulation de l'air.
22. Il ne faut pas s'amuser avec l'aspirateur, car il ne s'agit pas d'un jouet. Les enfants de plus de huit ans et les gens à capacités physiques, sensorielles ou mentales réduites ne peuvent utiliser l'aspirateur que sous la supervision d'un adulte ou qu'après avoir préalablement pris connaissance des consignes de sécurité et des risques découlant de son utilisation. Les enfants ne peuvent pas nettoyer l'aspirateur ni l'entretenir sans supervision.

23. **N'UTILISEZ PAS** l'appareil sans le récipient à poussière et sans les filtres en place.
24. **N'UTILISEZ PAS** l'appareil si le débit d'air est bloqué; si les passages d'air, le boyau ou le tube d'extension sont bloqués, éteignez l'aspirateur. Éliminez toutes les obstructions avant de rétablir l'alimentation.
25. Tenez la buse éloignée des cheveux, du visage, des doigts, des pieds déchaussés ou des vêtements amples.
26. N'utilisez que les accessoires recommandés par le fabricant.
27. **NE CHARGEZ PAS** l'appareil à des températures inférieures à 10 °C (50 °F) ou supérieures à 40 °C (104 °F). Le chargement incorrect ou à des températures hors de la plage indiquée peut endommager l'appareil et augmenter le risque d'incendie.
28. Entreposez l'appareil à l'intérieur. **N'UTILISEZ PAS** et ne rangez pas l'appareil à des températures inférieures à 3 °C (37,4 °F).
32. Utilisez uniquement des filtres et des accessoires de marque Shark®. L'utilisation de toute autre marque annulera la garantie.

RÉCIPIENT À POUSSIÈRE, FILTRES ET ACCESSOIRES

Avant de mettre l'aspirateur en marche :

29. Assurez-vous que le filtre est entièrement sec après le nettoyage de routine.
30. Après avoir effectué l'entretien de routine, assurez-vous que le récipient à poussière et le filtre sont en place.
31. Assurez-vous que les accessoires ne sont pas obstrués, et tenez les ouvertures loin de votre visage et de votre corps.
32. Utilisez uniquement des filtres et des accessoires de marque Shark®. L'utilisation de toute autre marque annulera la garantie.

NETTOYAGE GÉNÉRAL

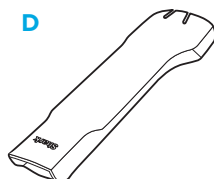
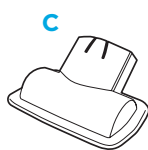
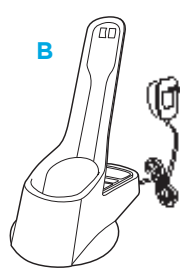
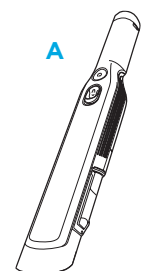
33. **N'ASPIREZ PAS** d'objets durs ou pointus qui pourraient endommager l'aspirateur, comme du verre, des clous, des vis ou de la monnaie.
34. **N'UTILISEZ PAS** l'aspirateur pour ramasser de la poussière de doison sèche, des cendres de foyer ou de la braise.
35. **N'UTILISEZ PAS** l'aspirateur comme accessoire pour un outil électrique pour l'aspiration de la poussière.
36. **N'ASPIREZ PAS** d'objets fumants ou brûlants comme des braises chaudes, des mégots de cigarettes ou des allumettes.
37. **N'ASPIREZ PAS** de matières inflammables ou combustibles (p. ex. : de l'essence à briquet, de l'essence ou du kérosène) et n'utilisez pas l'aspirateur dans des endroits où ces produits peuvent être présents.
38. **N'ASPIREZ PAS** de substances toxiques (p. ex. : de l'eau de Javel, de l'ammoniaque ou des déboucheurs).
39. **N'UTILISEZ PAS** l'appareil dans un espace clos contenant des vapeurs de peinture, de diluant à peinture ou de produits de traitement antimites, de la poussière inflammable, ou d'autres matières toxiques ou explosives.
40. **NE PLONGEZ PAS** l'appareil dans l'eau ou dans d'autres liquides.
41. Soyez extrêmement prudent lorsque vous nettoyez les escaliers.

BATTERIE LITHIUM-ION

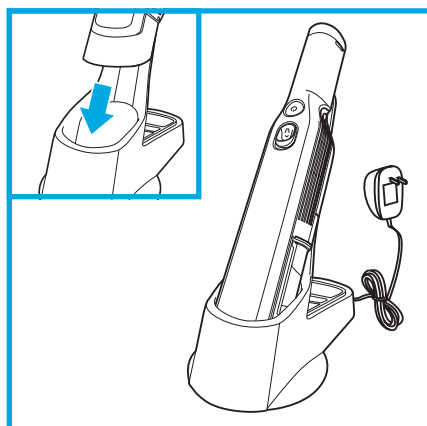
42. La batterie est la source d'alimentation de l'appareil. **NE TRANSPORTEZ PAS** l'appareil avec votre doigt sur le bouton d'alimentation. **NE CHARGEZ PAS** l'appareil tandis qu'il fonctionne.
43. Utilisez uniquement la station de recharge fournie pour charger l'appareil. L'utilisation d'un chargeur incorrect pourrait causer un risque de feu.
44. N'utiliser l'appareil qu'avec une batterie au lithium-ion. L'utilisation d'une autre batterie pourrait causer un risque de blessure ou de feu.
45. Dans des conditions abusives, la batterie pourrait émettre du liquide. Évitez le contact avec le liquide, car il pourrait causer des irritations ou des brûlures. En cas de contact, rincez à l'eau. Si le liquide entre en contact avec les yeux, obtenez de l'aide médicale.
46. Entreposez l'appareil à l'intérieur. Pour protéger la batterie, **N'UTILISEZ PAS ET NE RANGEZ PAS** la batterie à des températures inférieures à 3 °C (37,4 °F) ou supérieures à 40 °C (104 °F).
47. **N'EXPOSEZ PAS** l'appareil au feu ou à une température supérieure à 130 °C (266 °F), car cela peut provoquer une explosion.
48. **AUCUNE** pièce n'est réparable. Afin d'assurer la sécurité, **NE MODIFIEZ PAS ET NE TENTEZ PAS DE RÉPARER** l'appareil, sauf de la manière décrite aux présentes.

CONTENU

- A Shark WANDVAC
- B Station de recharge WANDVAC
- C Accessoire multisurface pour les poils d'animaux
- D Suceur plat



CHARGER LA BATTERIE



Avant la première utilisation, la batterie au lithium-ion doit être chargée entièrement, même si elle est fournie chargée partiellement.

Placez le Shark WANDVAC sur la station de recharge WANDVAC, la buse sur le support.

Branchez la station de recharge dans la prise murale.

En cours d'utilisation



Bleu continu

Batterie faible



Clignotant

En charge



Fondu enchaîné

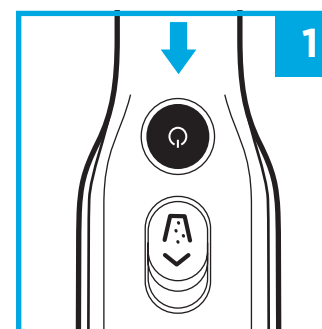
Chargée



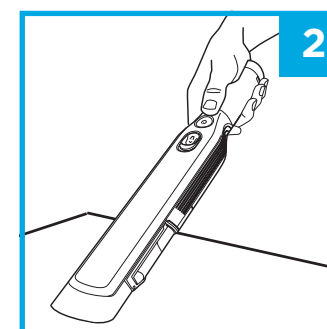
Faible

REMARQUE : Pendant la première utilisation, déchargez entièrement votre batterie au lithium-ion, afin de la conditionner. Il faut environ deux heures et demie pour charger entièrement la batterie au lithium-ion.

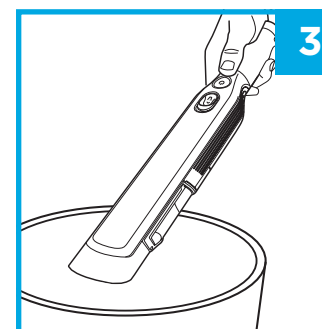
UTILISATION DE VOTRE SHARK WANDVAC™



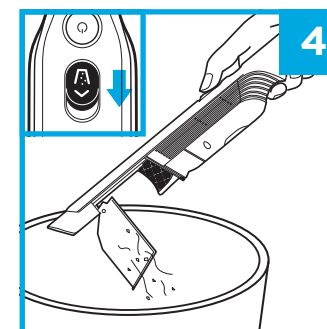
1



2



3



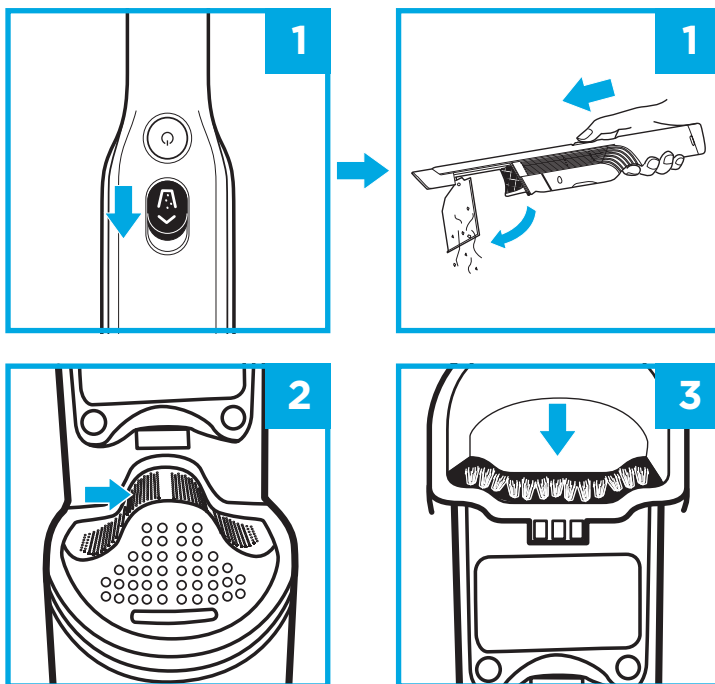
4

1. Appuyez sur le bouton Power (mise en marche).
2. Placez l'embout sur la surface à nettoyer.
3. Pour vider le récipient à poussière, tenez votre WANDVAC au-dessus de votre poubelle.
4. Faites glisser le bouton du récipient à poussière vers l'avant pour retirer les déchets.

REMARQUE : Pour l'entretien, veuillez voir au verso.

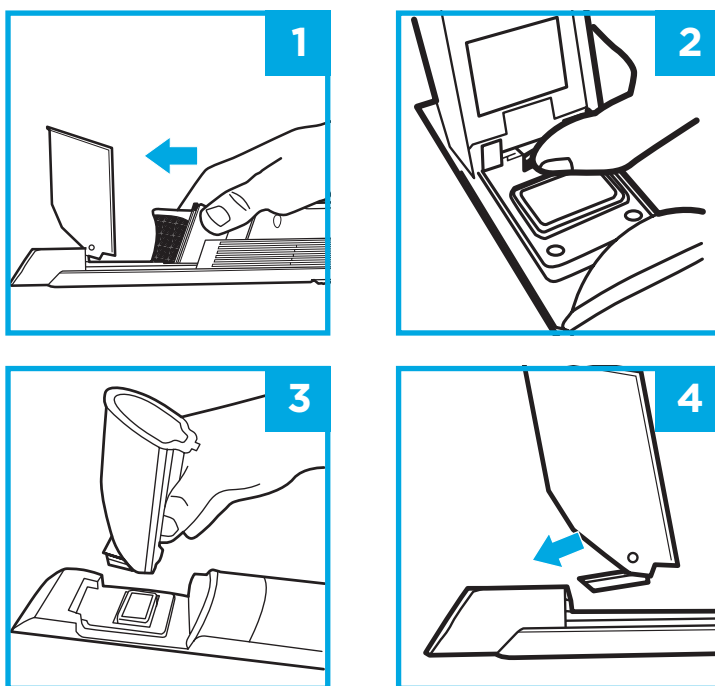
ENTRETIEN

VIDANGE DU RÉCIPENT À POUSSIÈRE



1. En maintenant l'appareil hors d'état de marche, faites glisser le bouton du récipient à poussière ouvert vers l'avant, et le récipient à poussière s'ouvrira.
2. Appuyez légèrement sur l'écran du filtre du récipient à poussière pour faire tomber la poussière et les débris.
3. Essayez légèrement les poils du récipient à poussière avec un linge sec pour enlever la poussière et la saleté.

NETTOYAGE DU RÉCIPENT À POUSSIÈRE

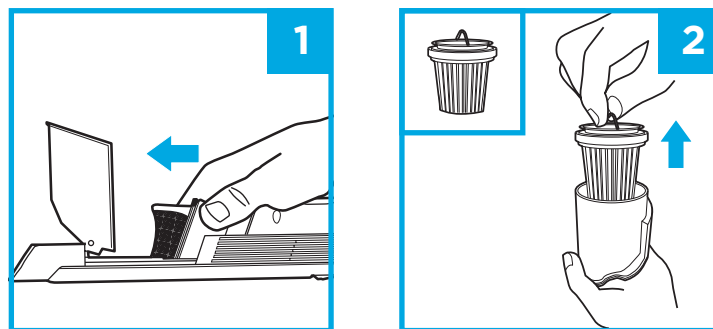


1. En tenant le récipient à poussière ouvert et en maintenant l'appareil hors d'état de marche, pincez les deux côtés du boîtier du filtre et faites-le glisser vers l'avant pour l'enlever.
2. Pendant que le récipient à poussière est ouvert, appuyez sur le bouton de déverrouillage.
3. Tout en maintenant le bouton enfoncé, décollez le récipient à poussière, puis nettoyez-le à la main avec du savon et de l'eau uniquement. Laissez les pièces sécher entièrement à l'air avant de le réinstaller.
4. Pour le réinstaller, glissez l'onglet sur le récipient à poussière dans la fente en bas de l'embout jusqu'à ce qu'il se clique en place.

Ne nettoyez pas les pièces de cet aspirateur ni ses accessoires au lave-vaisselle.

ENTRETIEN

NETTOYAGE DU FILTRE



1. En tenant le récipient à poussière ouvert et en maintenant l'appareil hors d'état de marche, pincez les deux côtés du boîtier du filtre et faites-le glisser vers l'avant pour l'enlever.
2. Tirez le filtre en tissu par l'anneau métallique pour l'enlever du boîtier.

Pour nettoyer le filtre en tissu, appuyez dessus pour enlever la poussière et les grosses particules. Pour un nettoyage en profondeur, lavez à la main uniquement avec de l'eau et laissez sécher à l'air pendant 24 heures avant de le réinstaller.

Pour nettoyer le boîtier du filtre, assurez-vous que le filtre est enlevé, puis nettoyez-le à la main avec de l'eau uniquement.

DÉPANNAGE ET CODES D'ERREUR

VOYANT LUMINEUX	CE QUE CELA VEUT DIRE
Lumière bleue clignotante	Batterie faible.
Lumière bleue qui clignote deux fois, puis s'arrête	Blocage. Éteignez l'appareil et enlevez le blocage, puis rallumez l'appareil.
Lumière bleue fixe	L'appareil est en marche.
La lumière bleue s'estompe progressivement	L'unité est chargée.
Faible lumière bleue	L'unité est entièrement chargée.
Aucune lumière	L'appareil est hors d'état de marche, ou l'unité a besoin d'être rechargée.

CONSULTEZ LA FAQ ET TROUVEZ TOUS LES ACCESSOIRES SUPPLÉMENTAIRES DISPONIBLES À L'ACHAT SUR SHARKCLEAN.COM

Le Shark WANDVAC™ ne fonctionne pas.

- Il faut recharger la batterie.
- Essayez d'utiliser une prise différente pour recharger la batterie.
- La batterie est endommagée et doit être remplacée.

L'aspirateur Shark WANDVAC ne ramasse pas les débris ou la succion est faible.

- Le récipient à poussière est plein. Videz le récipient à poussière.
- Il faut nettoyer ou remplacer le filtre du récipient à poussière. Nettoyez ou remplacez le filtre en tissu.
- Il faut recharger la batterie.
- L'écran du filtre est obstrué et a besoin d'être nettoyé. Ouvrez le récipient à poussière et nettoyez l'écran du filtre.

La poussière s'échappe du Shark WANDVAC.

- Le filtre en tissu n'est pas bien installé. Enlevez le filtre, puis réinstallez-le.
- Le filtre en tissu du récipient à poussière est percé ou troué et doit être remplacé.
- Le récipient à poussière n'est pas bien installé. Retirez le récipient à poussière, puis réinstallez-le.

J'ai fait tomber mon unité et le récipient à poussière est tombé.

- Pour le réinstaller, glissez l'onglet sur le récipient à poussière dans la fente en bas de l'embout jusqu'à ce qu'il se clique en place.

ENREGISTREZ VOTRE ACHAT

registryourshark.com

Numérisez le code QR avec votre appareil mobile



CARACTÉRISTIQUES TECHNIQUES

Tension de batterie :	10,8 V	Chargeur de l'aspirateur portatif Shark WANDVAC sans cordon
Watts du moteur :	115 W	Numéro de pièce : 1076FI200
Ampères :	10,6 A	

GARANTIE LIMITÉE DE DEUX ANS

La garantie limitée de deux (2) ans s'applique aux achats effectués auprès de détaillants autorisés de SharkNinja Operating LLC. La garantie s'applique uniquement au premier propriétaire et au produit original et n'est pas transférable.

SharkNinja garantit ce produit contre toute défectuosité de matériau ou de main-d'œuvre pour une période de deux (2) ans à compter de la date d'achat, dans le cadre d'un usage domestique normal et si le produit est entretenu conformément aux exigences décrites dans le guide de l'utilisateur, sujet aux conditions, aux exclusions et aux exceptions ci-dessous :

Qu'est-ce qui est couvert par cette garantie?

1. L'appareil d'origine ou les composants inusables considérés comme défectueux, à la seule discrétion de SharkNinja, seront réparés ou remplacés jusqu'à deux (2) ans à compter de la date d'achat initiale.
2. Dans le cas d'un remplacement de l'appareil, la garantie prendra fin six (6) mois après la date de réception de l'appareil de remplacement ou pendant le reste de la période de garantie existante, selon la période la plus longue. SharkNinja se réserve le droit de le remplacer par un appareil de valeur égale ou supérieure.

Qu'est-ce qui n'est pas couvert par cette garantie?

1. L'usure normale des pièces (comme les filtres en mousse, les filtres HEPA, les tampons, etc.) qui nécessitent un entretien et/ou un remplacement régulier afin d'assurer le bon fonctionnement de votre appareil n'est pas couverte par cette garantie. Vous pouvez faire l'achat de pièces de rechange par l'entremise du site sharkaccessories.com.
2. La garantie ne s'applique pas aux appareils utilisés de façon abusive ou à des fins commerciales.
3. Les dommages causés par une mauvaise utilisation (comme aspirer de l'eau ou d'autres liquides), un abus, une négligence lors de la manipulation, un manquement à l'entretien nécessaire (comme ne pas nettoyer les filtres), ou un dommage dû à une mauvaise manipulation pendant le transport.
4. Les dommages indirects et accessoires.
5. Les défectuosités causées par des réparateurs non autorisés par SharkNinja. Ces défectuosités incluent les dommages causés lors du processus d'expédition, de modification ou de réparation du produit SharkNinja (ou de l'une de ses pièces) lorsque la réparation est effectuée par un réparateur non autorisé par SharkNinja.
6. Les produits achetés, utilisés ou mis en fonction à l'extérieur de l'Amérique du Nord.

Comment obtenir du service

Si votre appareil ne fonctionne pas comme il le devrait lors d'un usage domestique normal pendant la période de garantie, consultez le site sharkclean.com/support pour obtenir des informations au sujet des soins et de l'entretien du produit. Nos spécialistes du service à la clientèle sont aussi disponibles au **1 800 798-7398** pour de l'assistance sur les produits et les options de garantie de service offertes, y compris la possibilité de passer à nos options de garantie de service VIP pour certaines catégories de produits.

SharkNinja assumera les frais de retour de l'appareil à nos sites par le consommateur en vue de la réparation ou du remplacement de l'appareil. Un montant de 24,95 \$ (sujet à changement) sera facturé lorsque SharkNinja expédiera l'appareil réparé ou remplacé.

Comment présenter une demande de service sous garantie

Vous devez téléphoner au **1 800 798-7398** pour soumettre une réclamation au titre de la garantie. Vous aurez besoin du reçu comme preuve d'achat. Un spécialiste du service à la clientèle vous fournira les directives d'emballage et de retour.

De quelle manière les lois d'État s'appliquent-elles?

Cette garantie vous accorde des droits spécifiques légaux et vous pouvez aussi bénéficier d'autres droits qui varient d'une province ou d'un État à l'autre. Comme certains États américains ou certaines provinces canadiennes n'acceptent pas l'exclusion ou la limitation de dommages accessoires ou indirects, il est possible que cette disposition ne s'applique pas à votre cas.

Pour mieux vous aider, nous vous demandons d'enregistrer votre produit et de l'avoir avec vous lorsque vous appelez.

RETRAIT ET MISE AU REBUT DES BATTERIES

Ce produit utilise une batterie au lithium-ion rechargeable et recyclable. Lorsque la charge maximale de la batterie devient insuffisante, il faut retirer la batterie de l'aspirateur et la recycler. **N'INCINÉREZ PAS** la batterie et NE LA METTEZ PAS au compost.

Lorsque la batterie au lithium-ion doit être remplacée, jetez-la ou recyclez-la conformément aux ordonnances ou aux règlements locaux. Dans certaines régions, il est illégal de déposer des batteries au lithium-ion usées au rebut ou dans un flux de déchets solides municipaux. Envoyez les batteries usées à un centre de recyclage autorisé ou retournez-les au détaillant aux fins de recyclage. Communiquez avec votre centre de recyclage local pour savoir où déposer la batterie usée.

Pour plus d'information sur le retrait des batteries aux fins d'élimination consultez : sharkclean.com/batterysupport



Le sceau de la RBRC™ (Rechargeable Battery Recycling Corporation [Société de recyclage des piles et des batteries rechargeables]) sur la batterie au lithium-ion indique que SharkNinja a déjà payé les coûts de recyclage de la batterie à la fin de sa durée de vie. Dans certaines régions, il est illégal de déposer des batteries au lithium-ion usées au rebut ou dans un flux de déchets solides municipaux; le programme de la RBRC offre une solution de rechange respectueuse de l'environnement.

La RBRC, en collaboration avec SharkNinja et d'autres grands utilisateurs de batteries, a créé aux États-Unis et au Canada des programmes visant à faciliter la collecte de batteries au lithium-ion usées. Aidez à protéger l'environnement et à conserver les ressources naturelles en retournant la batterie au lithium-ion usée à un centre d'entretien SharkNinja autorisé ou à votre détaillant local à des fins de recyclage. Vous pouvez également composer le 1 800 798-7398 ou communiquer avec votre centre de recyclage local pour savoir où déposer la batterie usée.

CONSIGNEZ LES RENSEIGNEMENTS CI-DESSOUS.

Numéro du modèle : _____

Date d'achat : _____
(conservez la facture)

Magasin où l'appareil a été acheté : _____

© SharkNinja Operating LLC, 2019.
Needham, MA 02494/Saint-Laurent (Québec) H4S 1A7
1-800-798-7398
sharkclean.com

SHARK est une marque de commerce déposée de SharkNinja Operating LLC. SHARK WANDVAC est une marque de commerce de SharkNinja Operating LLC. RBRC est une marque de commerce de la Société de recyclage des piles et des batteries rechargeables.

Pour obtenir de l'information au sujet des brevets de SharkNinja aux États-Unis, consultez le site suivant : www.sharkninja.com/uspatents.

Imprimé en Chine.

Les illustrations peuvent différer du produit réel.

WV200C_IB_F_MP_REV_Mv1