

# **Shark**

**DuoClean® PowerFins® HairPro™  
Lift-Away® with Self-Cleaning Brushroll  
and Odor Neutralizer Technology  
Upright Vacuum**

**DuoClean® PowerFins® HairPro™  
Lift-Away® avec brosse rotative  
autonettoyante et technologie  
d'élimination des odeurs**

UV900CCO Series • Série

**OWNER'S GUIDE  
GUIDE D'UTILISATION**

---



# IMPORTANT SAFETY INSTRUCTIONS

FOR HOUSEHOLD USE ONLY

## ⚠ WARNING

To reduce the risk of fire, electric shock, injury, or property damage, when using an electrical appliance, basic precautions should always be followed, including the following:

### READ ALL INSTRUCTIONS BEFORE USING THIS VACUUM

1. Inspect power cord and plug for any damage before use. **DO NOT** use vacuum cleaner with a damaged cord or plug. Turn off all controls before plugging in or unplugging the vacuum cleaner. Store your vacuum cleaner with the power cord secured around the two cord hooks. To minimize the risk of power cord damage, do not allow the motorized brush roll to ingest the cord. If this occurs, immediately shut off power to the vacuum and remove the cord.
2. This appliance has a polarized plug. If the plug does not fit fully into the outlet, reverse the plug (one blade is wider than the other). If it still does not fit, contact a qualified electrician. **DO NOT** force into outlet or try to modify to fit.
3. Your vacuum cleaner may consist of a motorized nozzle, wand, hose, and/or vacuum pod. This device contains electrical connections, electrical wiring, and moving parts that potentially present risk to the user. The hose contains electrical wires. Do not use when damaged, cut, or punctured.
4. Use only identical replacement parts.
5. Carefully observe and follow the instructions provided below to avoid improper use of the appliance. **DO NOT** use the vacuum for any purpose other than those described in this manual.
6. Before use, carefully inspect all parts for any damage. **DO NOT** use if any parts are damaged.
7. The use of an extension cord is **NOT** recommended.
8. This vacuum cleaner contains no serviceable parts.
9. This appliance can be used by persons with reduced physical, sensory, or mental capabilities or lack of experience and knowledge if they have been given supervision or instruction concerning use of the appliance in a safe way and understand the hazards involved. Cleaning and user maintenance shall not be made by children. Keep the appliance and its cord out of reach of children. **DO NOT** allow the appliance to be used by children. **DO NOT** allow to be used as a toy. Close supervision is necessary when used near children.
10. Always turn off the vacuum cleaner before connecting or disconnecting any motorized nozzles, hose, or other accessories.
11. **DO NOT** handle plug or vacuum cleaner with wet hands.
12. **DO NOT** use without filters in place.
13. Only use Shark® branded filters and accessories.
14. **DO NOT** damage the power cord:
  - a) **DO NOT** pull or carry vacuum cleaner by the cord or use the cord as a handle.
  - b) **DO NOT** unplug by pulling on cord. Grasp the plug, not the cord.
  - c) **DO NOT** run the vacuum cleaner over the power cord, close a door on the cord, pull the cord around sharp corners, or leave the cord near heated surfaces.
15. **DO NOT** put any objects into nozzle or accessory openings. **DO NOT** use with any opening blocked; keep free of dust, lint, hair, and anything that may reduce airflow.
16. **DO NOT** use if nozzle or accessory airflow is restricted. If the air paths or the motorized floor nozzle become blocked, turn the vacuum cleaner off and unplug from electrical outlet. Remove all obstructions before you plug in and turn on the unit again.

17. Keep nozzle and all vacuum openings away from hair, face, fingers, uncovered feet, or loose clothing.
18. **DO NOT** use if vacuum cleaner is not working as it should, or has been dropped, damaged, left outdoors, or dropped into water.
19. Use extra care when cleaning on stairs.
20. **DO NOT** leave the vacuum cleaner unattended while plugged in.
21. When powered on, keep the vacuum cleaner moving over the carpet surface at all times to avoid damaging the carpet fibers.
22. **DO NOT** place vacuum cleaner on unstable surfaces such as chairs or tables.
23. Your Shark® vacuum may not be designed to stand up on its own. When taking a break from cleaning, you may need to lean it against furniture or a wall, or lay it flat on the floor. Using the vacuum for an application where the unit lacks stability may result in personal injury.
24. **DO NOT** use to pick up:
  - a) Liquids
  - b) Large objects
  - c) Hard or sharp objects (glass, nails, screws, or coins)
  - d) Large quantities of dust (drywall dust, fireplace ash, or embers). **DO NOT** use as an attachment to power tools for dust collection.
  - e) Smoking or burning objects (hot coals, cigarette butts, or matches)
  - f) Flammable or combustible materials (lighter fluid, gasoline, or kerosene)
  - g) Toxic materials (chlorine bleach, ammonia, or drain cleaner)
25. **DO NOT** use in the following areas:
  - a) Poorly lit areas
  - b) Wet or damp surfaces
  - c) Outdoor areas
  - d) Spaces that are enclosed and may contain explosive or toxic fumes or vapors (lighter fluid, gasoline, kerosene, paint, paint thinners, mothproofing substances, or flammable dust).
26. Turn off all controls before plugging in or unplugging the vacuum.

### ODOR

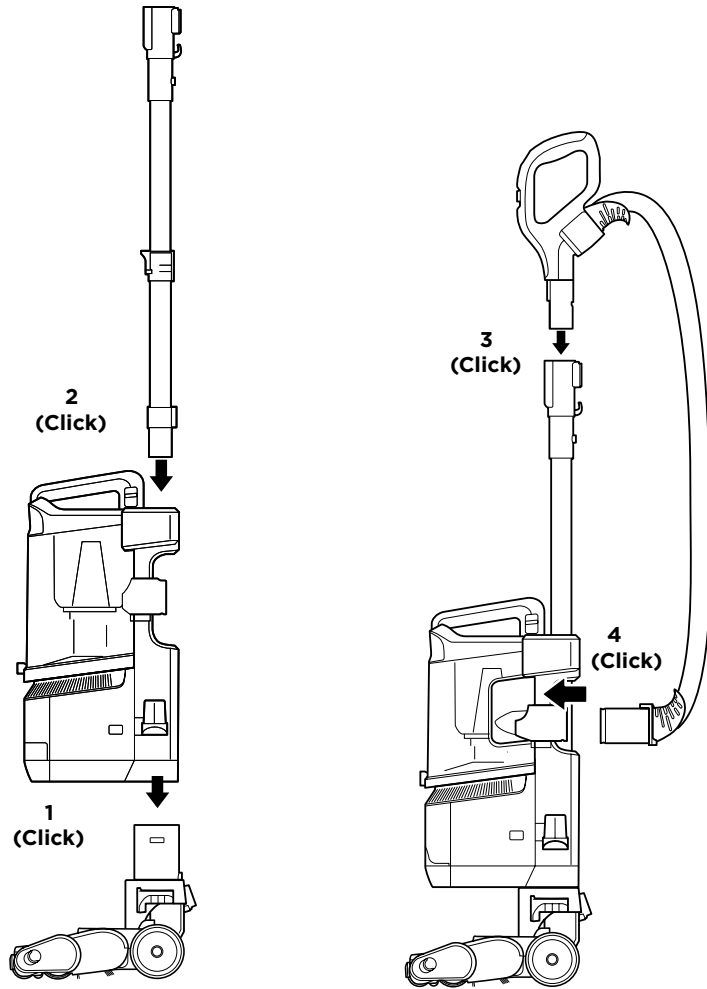
27. Observe the following when interacting with the odor neutralizer technology cartridge
  - a) **DO NOT** attempt to disassemble odor neutralizer technology cartridge.
  - b) Avoid direct contact with the fragrance pod in the cartridge.
  - c) **DO NOT** directly inhale from the odor neutralizer technology cartridge
  - d) Keep away from children and pets.
  - e) Keep away from heat, sparks, and open flame.
  - f) **DO NOT** place in direct sunlight.

### FRAGRANCE CARTRIDGE FIRST AID

- a) Avoid contact with fabrics and finished surfaces.
  - b) Eye contact: Remove contact lenses if present. Rinse continuously with water for several minutes.
  - c) Skin contact: Wash hands thoroughly after handling. If irritation or rash develops, seek medical advice/attention.
  - d) Inhalation: Move person to fresh air if they are experiencing any respiratory symptoms. If symptoms persist, seek medical advice/attention.
  - e) Ingestion: **DO NOT** induce vomiting. Seek medical advice/attention.
28. Unplug from electrical outlet when not in use and before any maintenance or cleaning.
  29. Hand wash with water only. Washing with cleaning chemicals could damage the unit.
  30. During cleaning or routine maintenance, **DO NOT** cut anything other than hair, fibers, or string wrapped around the brushroll.
  31. Allow all filters to air-dry completely before replacing in the vacuum to prevent liquid from being drawn into electric parts.
  32. Make sure the dust cup and all filters are in place after routine maintenance.
  33. If provided, secure the power cord around the two cord hooks during storage.

**SAVE THESE INSTRUCTIONS**

## ASSEMBLY

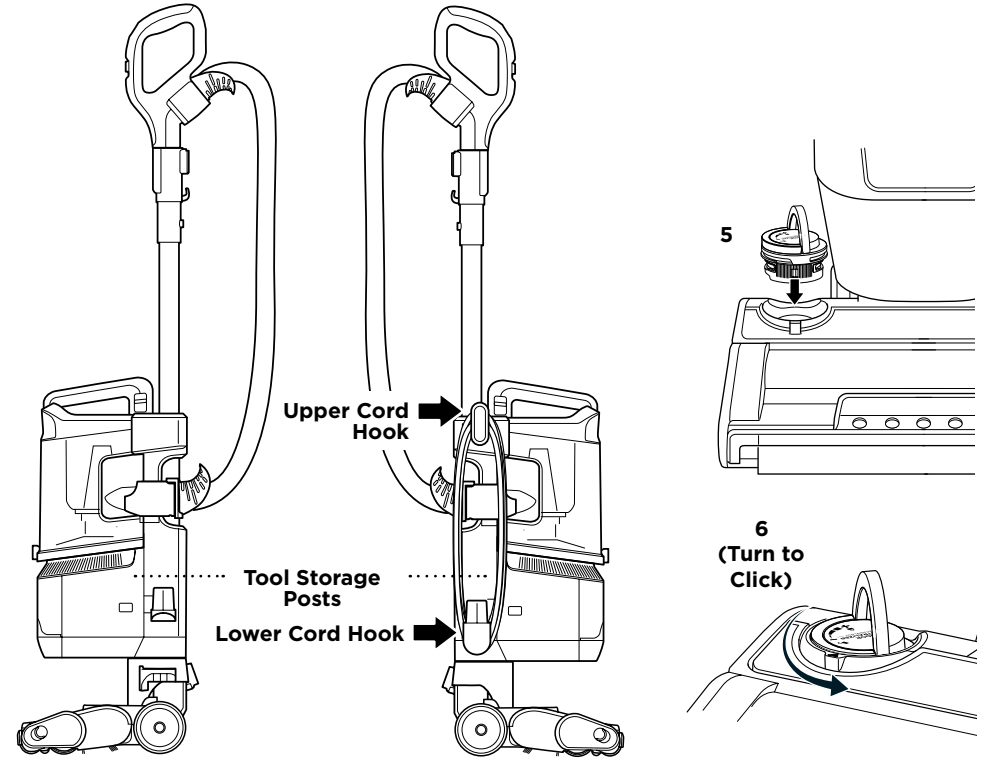


1. Place **Pod** down onto **Nozzle**.
2. Insert **Wand** into **Pod**.
3. Insert **Handle** into wand.
4. Attach **Hose** to back of pod.
5. Remove **Odor Neutralizer Technology Dial** from bag. Flip up the dial handle, align the teal arrows, then insert the dial into the nozzle.
6. To lock and engage the dial, rotate it counterclockwise until it clicks into the desired odor intensity setting.

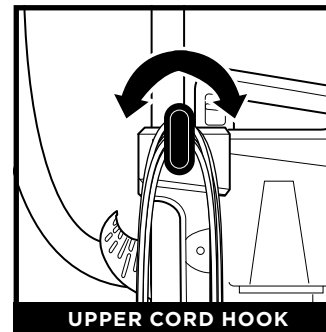
\* More detailed odor neutralizer technology assembly instructions and visuals on the following two pages.

**IMPORTANT:** For proper operation, ensure all connections are securely clicked into place.

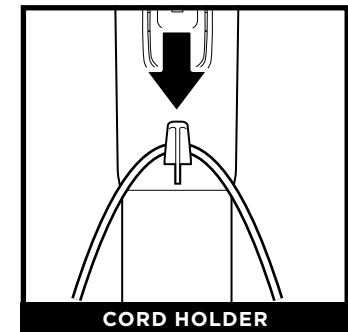
## ASSEMBLY



## POWER CORD



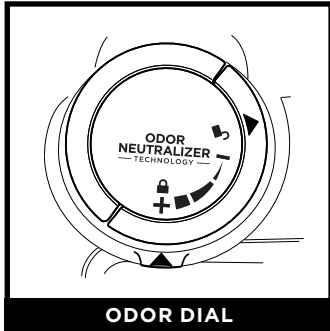
**UPPER CORD HOOK**  
For cord access, rotate upper hook down and remove cord.



**CORD HOLDER**  
Use cord holder on the side of wand to hold cord in place while vacuuming.

## TECHNOLOGY SETTINGS

### SETTINGS



**ODOR DIAL**

Flip up the dial handle and rotate the odor dial to adjust odor neutralizer technology intensity or to unlock the dial for cartridge access.

**Insertion/Removal:** Rotate the odor dial to align the teal arrows. Remove the dial to access the odor cartridge for removal or replacement.

**Low:** Rotate the dial toward the Low position to decrease the intensity to the lowest level when the vacuum is in use.

**High:** Rotate the dial toward the High position for the highest intensity level when the vacuum is in use. This position is the recommended setting for optimal performance.

## ODOR NEUTRALIZER TECHNOLOGY TIPS

### Odor Dial Must be Installed for Vacuum to Function Properly

- Remove odor cartridge from dial if you don't want the benefits of the odor neutralization technology.

### Maintenance Required

- Clean all filters as recommended under Cleaning Filters.
- Empty the dust cup before storing your vacuum.
- Replace the cartridge as recommended under Odor Cartridge Replacement.
- Visit [qr.sharkclean.com/odortech](http://qr.sharkclean.com/odortech) to learn more and purchase replacements.
- If wet pet messes are cleaned up, thoroughly clean the vacuum.

### Fragrance Strength Over Time

- The intensity of the odor neutralizer technology's fragrance may diminish over time. It may also have no noticeable fragrance at all. This is natural and does not indicate the technology isn't working. Follow replacement instructions to ensure continued performance.

**NOTES:** • The odor dial needs to be installed for the vacuum to function properly, with or without the odor cartridge.  
• Odor Neutralizer technology effectively deodorizes while interacting with odors from inanimate sources.

## ODOR NEUTRALIZER TECHNOLOGY

### ODOR CARTRIDGE REPLACEMENT



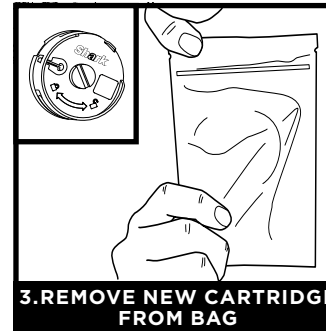
**1. REMOVE ODOR DIAL FROM NOZZLE**

Flip up the handle and rotate the dial clockwise until the two teal arrows are aligned. Pull the handle to remove the dial from the nozzle.



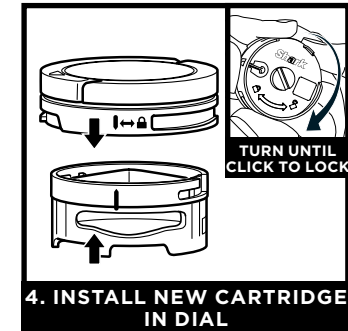
**2. REMOVE OLD ODOR CARTRIDGE**

Rotate the cartridge counterclockwise in the dial housing and pull out the cartridge to remove it.



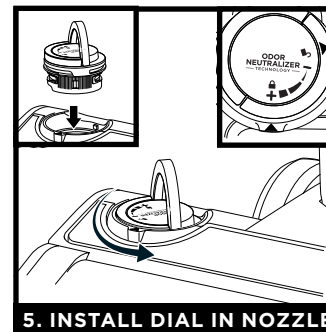
**3. REMOVE NEW CARTRIDGE FROM BAG**

Remove the new odor cartridge from the sealed packaging. To maintain the life of the cartridge, keep it in the sealed packaging until you are ready to install it.



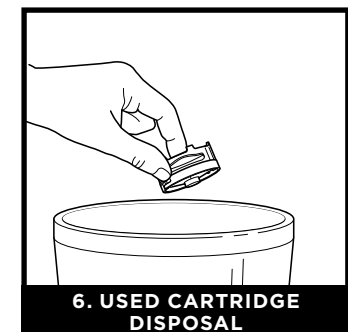
**4. INSTALL NEW CARTRIDGE IN DIAL**

Align the yellow arrow on the side of the cartridge with the yellow arrow on the side of the dial cover, then insert the cartridge into the dial. Rotate the cartridge clockwise to lock it in place.



**5. INSTALL DIAL IN NOZZLE**

Align the teal arrow on the dial cover with the teal arrow on the nozzle, then reinsert the dial into the nozzle. Rotate the dial counterclockwise until it clicks into an intensity setting to engage. Rotate further to change the intensity setting.



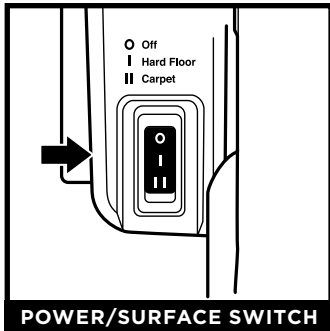
**6. USED CARTRIDGE DISPOSAL**

Dispose of the old cartridge by dropping it into the trash.

**NOTE:** Odor cartridges should be replaced every 6 months for optimal odor neutralizer technology performance.

## WHOLE-HOME CLEANING

### SETTINGS

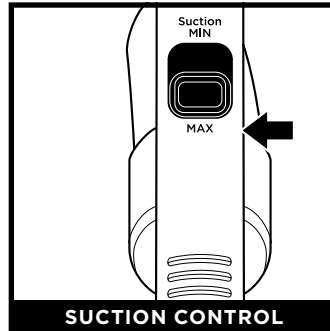


**POWER/SURFACE SWITCH**

Select surface setting:

- Power Off**
- I Hard Floor**  
For hard floors and small area rugs.
- II Carpet**  
For carpets.

**NOTE:** For deep carpet cleaning per ASTM F608, use setting II (Carpet) with MAX suction.



**SUCTION CONTROL**

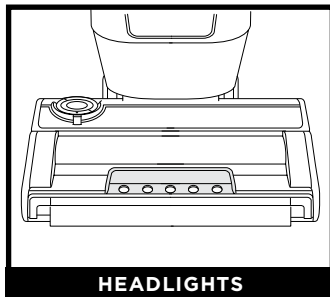
The **Suction Control Slider** located on the handle allows you to adjust the suction depending on the floor type.

**MIN:** to reduce suction and increase maneuverability on carpets.

**MAX:** to increase suction on hard floors.

**NOTE:** The brushrolls spin in all modes

### HEADLIGHT INDICATOR LIGHTS



**HEADLIGHTS**

The headlights will flash or turn red to indicate issues that need attention.

**Solid White Lights:** The brushrolls are spinning and the unit is working as it should.

**Solid Red Lights:** There is a jam in the brushroll area. Turn off the vacuum and unplug it, then remove any blockages in the nozzle.

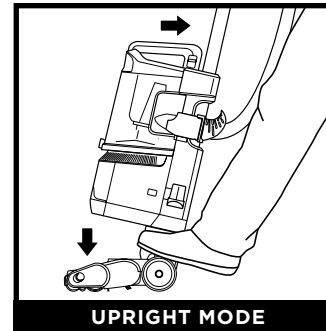
**Flashing Red Lights:** The motorized floor nozzle is overheating. Turn off the vacuum, unplug it, and remove any blockages. Let the vacuum cool down for at least 60 minutes before restarting. See Troubleshooting section for more information.

**Flashing White Lights:** The vacuum is operating in an environment that is either too hot or too cold. This vacuum will only function properly in temperatures ranging from 32°F (0°C) to 104°F (40°C). Turn the vacuum off and adjust the room temperature.

**NOTE:** For deep cleaning per ASTM F608 (embedded dirt in carpets), please set to **Carpet** mode.  
**NOTE:** For maximum suction for above-floor cleaning per ASTM F558, set to **Hard Floor** mode.

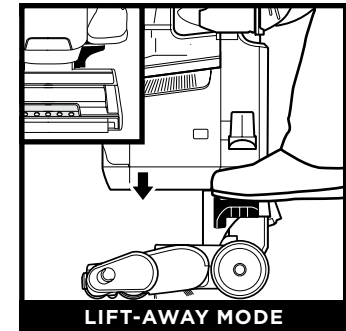
## WHOLE-HOME CLEANING

### CLEANING MODES



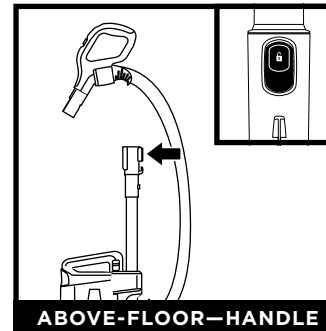
**UPRIGHT MODE**

To engage **Brushrolls**, select a surface setting, step on floor nozzle and tilt handle back firmly.



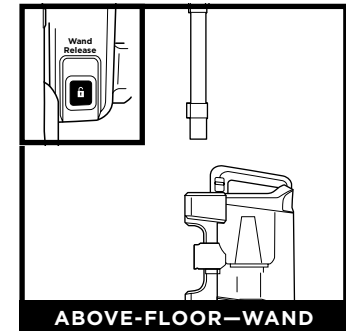
**LIFT-AWAY MODE**

Step on the pedal on the floor nozzle to lift off the pod.



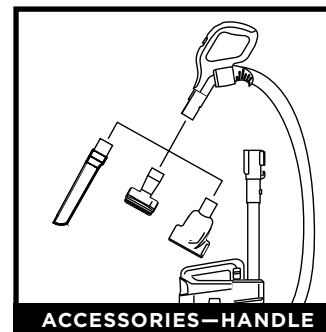
**ABOVE-FLOOR—HANDLE**

Press the **Handle Release** button and pull up on the handle to detach it from the wand.



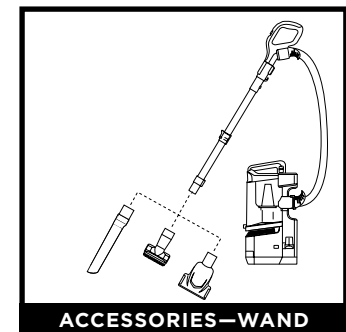
**ABOVE-FLOOR—WAND**

Press the **Wand Release** button and pull up on the wand to detach it from the pod.



**ACCESSORIES—HANDLE**

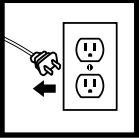
Attach an optional cleaning accessory to handle or wand.



**ACCESSORIES—WAND**

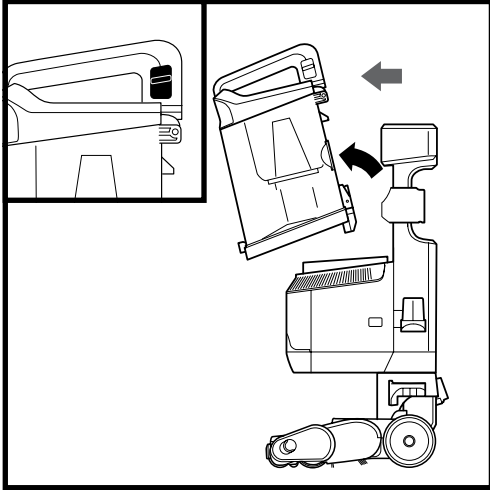
**NOTE:** All accessories are compatible with both the wand and the handle. Included accessories will vary by model.

## EMPTYING THE DUST CUP

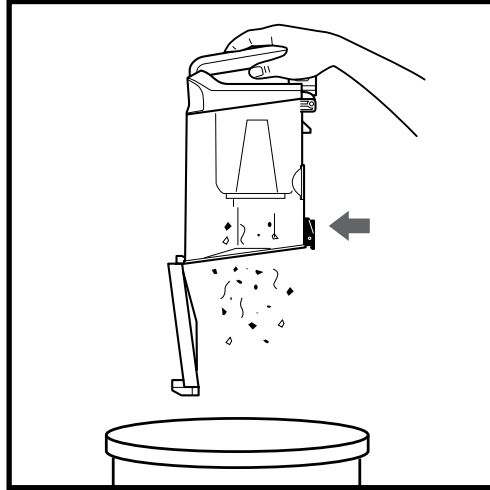


**IMPORTANT:** Unplug the power cord before performing any maintenance.

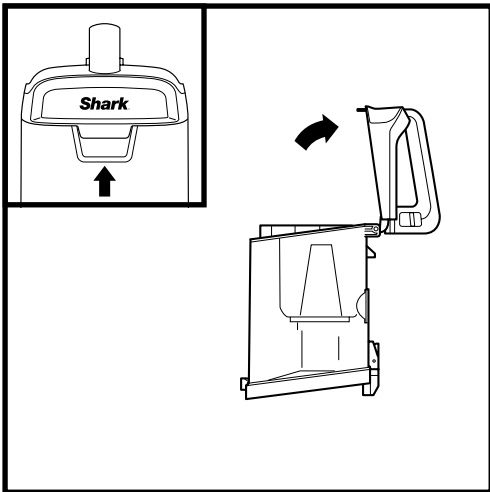
Empty the dust cup each time you vacuum and periodically during cleaning, when debris in the dust cup reaches the MAX fill line.



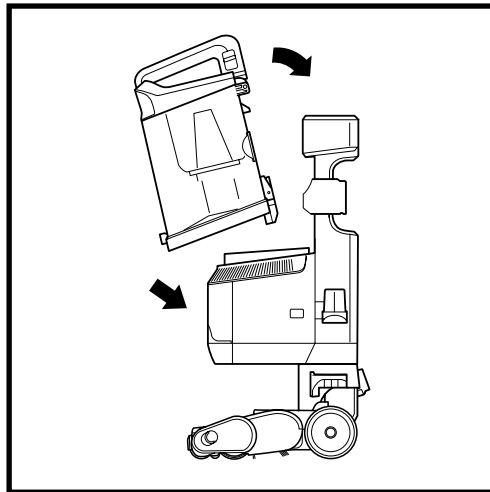
To remove the **Dust Cup**, slide up on the release button located on the side of dust cup handle. Tilt dust cup forward, then lift to remove.



To empty debris into the trash, press the lower release button and the bottom of the dust cup will drop open.



Clear debris from the **Lint Screen** in the dust cup. Lift the upper release tab at the top of the dust cup and open the lid. Gently brush the lint screen to remove debris.



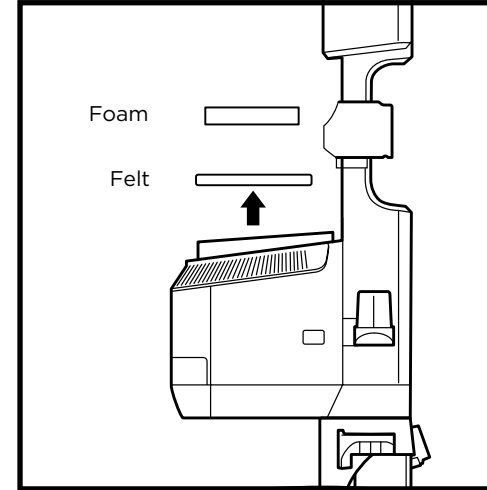
To reinstall, place the bottom of the dust cup onto the pod and then tilt until it clicks into place.

## CLEANING THE FILTERS

**Regularly rinse and replace the filters to maintain your vacuum's suction power and to maximize the effectiveness of the odor neutralizer technology.**

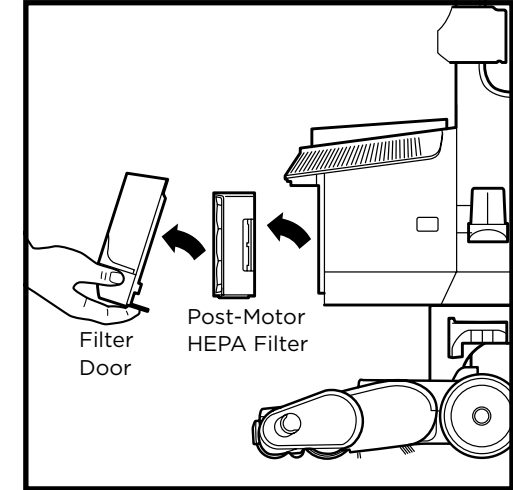
Rinse filters with cold water only. Allow all filters to air-dry for at least 24 hours before reinstalling them to prevent liquid from being drawn into electronic parts.

**IMPORTANT: DO NOT** use soap when cleaning the filters.



RINSE PRE-MOTOR FILTERS  
EVERY MONTH

Remove the **Dust Cup**, then lift out **Filters**.



RINSE HEPA FILTER  
EVERY YEAR

To remove the **HEPA Filter**, first pull the tab on the bottom of the filter door, then lift off the door. Press the tab on the side of the HEPA filter and pull out the filter. To reinstall the door, align the top first, then press in the bottom until it clicks into place.



## MAINTENANCE

### NOZZLE MAINTENANCE

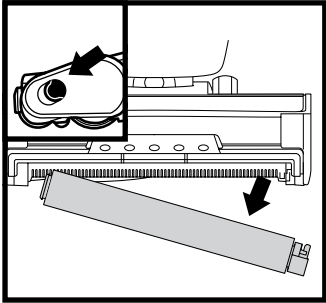
#### SELF-CLEANING BRUSHROLL

If any hair is wrapped around the brushroll, continue vacuuming, using Carpet/Low Pile mode on a bare floor surface, a low-pile carpet, or a small area rug. This will allow the self-cleaning brushroll to remove the hair wrap and send it to the dust cup.

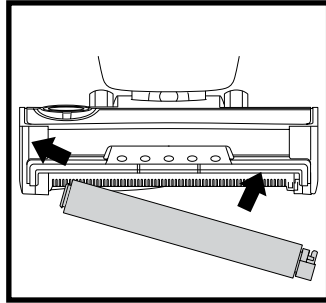
If you run over a hard or sharp object or notice a noise change while vacuuming, check for blockages or objects caught in the brushroll.

If some fibers remain wrapped around the brushroll after continued use, carefully remove them.

#### CLEANING THE SOFT ROLLER

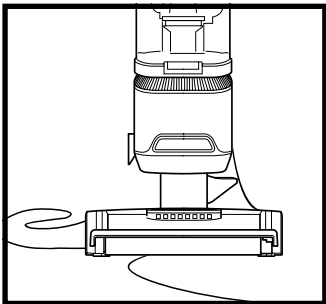


Slide the Soft Roller access button forward to release the Soft Roller.



Hand wash the Soft Roller as needed. Use only water, and allow it to air-dry completely for at least 24 hours. Reinsert the Soft Roller in the front of the nozzle until it clicks into place.

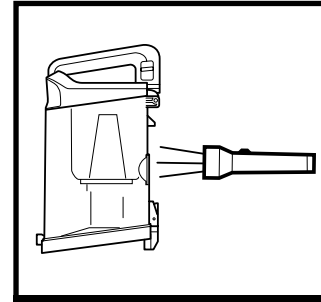
### CORD MAINTENANCE



To minimize the risk of power cord damage, **DO NOT** run the vacuum over the power cord. If this occurs, immediately shut off power to the vacuum and remove the cord from the brushrolls or nozzle.

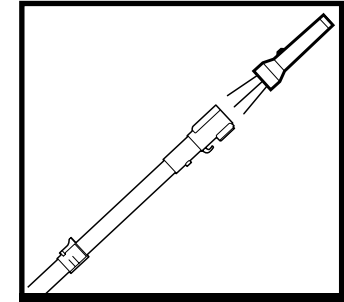
1. **DO NOT** pull or carry vacuum cleaner by the cord or use cord as a handle.
2. **DO NOT** unplug by pulling on the cord. Grasp the plug, not the cord.
3. **DO NOT** close the door on the cord.
4. **DO NOT** pull the cord around sharp corners.
5. **DO NOT** leave the cord near heated surfaces.

## CHECKING FOR BLOCKAGES



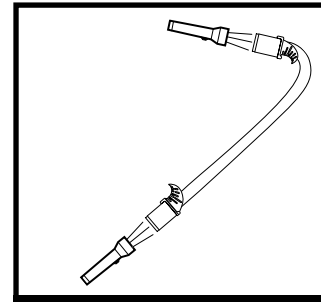
#### DUST CUP BLOCKAGES

Detach dust cup from vacuum pod. Empty dust cup and remove debris from lint screen in the top of the dust cup.



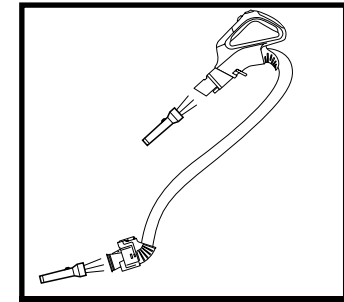
#### WAND BLOCKAGES

Detach wand from pod and handle, and check both ends for blockages.



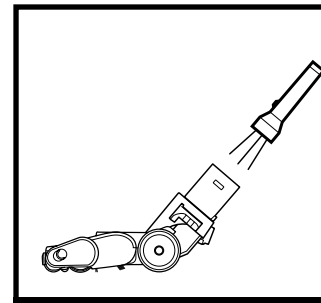
#### HOSE BLOCKAGES

Detach hose from handle by pressing on the release button at the top of the hose. Detach the hose from the pod, and check openings for blockages.



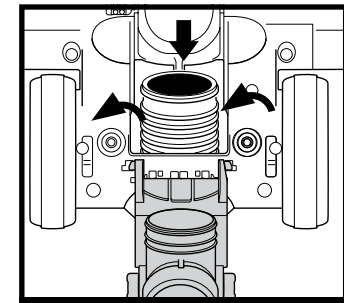
#### HANDLE/HOSE BLOCKAGE

Detach handle from wand and hose from the vacuum pod, and check openings for blockages.



#### NOZZLE BLOCKAGE

Detach wand from floor nozzle, tilt nozzle neck back, and check opening for blockages.



#### NOZZLE HOSE BLOCKAGE

To access the nozzle hose, pinch the release touchpoints on the bottom of the nozzle, then lift the cover and clear any blockages.

## INCLUDED ACCESSORIES

### A Pet Crevice Tool

This versatile, slender 8" tool removes pet hair from hard-to-reach spaces like corners, ceilings, and between couch cushions.

### B Pet Multi-Tool

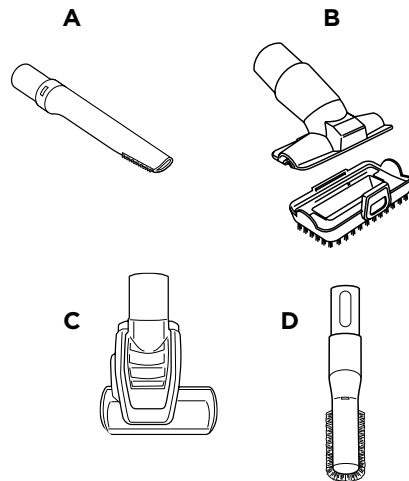
A single convertible tool for cleaning tough pet messes two ways: use the stiff bristle brush to clean stuck-on debris, or take off the bristles to reveal an upholstery tool perfect for removing stubborn pet hair and large piles of debris.

### C HairPro™ Self-Cleaning Pet Power Brush

Tackles pet hair and ground-in dirt from above-floor areas like carpeted stairs and upholstery, while actively removing hair wrap as it cleans.

### D Anti-Allergen Dust Brush

This brush features nylon fiber bristles specifically designed for removing fine dust and allergen particles from the most delicate surfaces.



## TROUBLESHOOTING

### Power cord caught in brushrolls or floor nozzle.

- To minimize the risk of power cord damage, DO NOT run the vacuum over the power cord. If this occurs, immediately shut off power to the vacuum and remove the cord from the brushrolls or nozzle.
- Inspect power cord and plug for any damage before use. DO NOT use vacuum cleaner with a damaged cord or plug. Turn off all controls before plugging in or unplugging the vacuum cleaner. Store your vacuum cleaner with the power cord secured around the two cord hooks.

### Vacuum is not picking up debris. No suction or light suction.

- Check filters to see if they need cleaning. Follow instructions for rinsing and air-drying the filters before reinstalling them in the vacuum.
- Dust cup may be full; empty dust cup.
- Check handle, hose, hose connections, nozzle, wand, pod, and accessories for blockages. Clear any blockages found.
- If any string, hair, or carpet fibers are wrapped around the PowerFins® brushroll, carefully cut debris with scissors and remove from brushroll. See Nozzle Maintenance section for more information.

### Vacuum lifts area rugs.

- Make sure Power/Surface switch is set to Hard Floor (setting I).
- Ensure the suction control slider on the handle is set to MIN.
- Suction is powerful. Take care when vacuuming area rugs or rugs with delicately sewn edges.

### Brushrolls do not spin in carpet cleaning mode.

- If the headlight indicator light turns red, immediately turn off and unplug the vacuum. Remove pod from floor nozzle and clear any blockages. Reconnect nozzle, plug in vacuum, and turn on power.
- With the power on, recline the handle, which will automatically turn on the brushrolls.
- If this problem persists on thick carpets, move the suction control slider to MIN.

### Vacuum turns off on its own or headlight indicator lights flash red.

If your vacuum overheats, the thermostat will automatically turn off the motor. Perform the following steps to restart:

1. Turn vacuum off and unplug it.
2. Empty dust cup and clean filters. See Emptying the Dust Cup and Cleaning and Replacing the Filters sections for more information.
3. Check for blockages in hose, wand, floor nozzle, accessories, and inlet openings.
4. Allow unit to cool for a minimum of 60 minutes.
5. Plug in vacuum and turn it on.

### Vacuum is emitting air that smells bad.

- Dust cup may be full; empty dust cup. Empty dust cup after each use for optimal odor neutralizer technology performance.
- Check filters to see if they need cleaning. Follow instructions for rinsing and air-drying the filters before reinstalling them.
- Check to make sure odor cartridge is installed in the dial and the dial is installed in the nozzle.
- Check the odor neutralizer technology dial on the nozzle to see what setting is enabled.
- If odor neutralizer technology dial is at any setting from Low to High and the cartridge has been installed for 6 months or longer, consider replacing it.
- If the odor cartridge is still emitting a scent but you dislike it, consider turning the intensity down, or reinstall the dial in the nozzle without the cartridge.
- If the odor neutralizer technology cartridge is not emitting a scent, consider replacing it.

For all other issues, please go to support.[sharkclean.ca](https://sharkclean.ca) or call Customer Service 1-855-520-7816.



## FIVE (5) YEAR LIMITED WARRANTY

The Five (5) Year Limited Warranty applies to purchases made from authorized retailers of **SharkNinja Operating LLC**. Warranty coverage applies to the original owner and to the original product only and is not transferable.

SharkNinja warrants that the unit shall be free from defects in material and workmanship for a period of five (5) years from the date of purchase when it is used under normal household conditions and maintained according to the requirements outlined in the Owner's Guide, subject to the following conditions and exclusions:

### What is covered by this warranty?

1. The original unit and/or non-wearable parts deemed defective, in SharkNinja's sole discretion, will be repaired or replaced up to five (5) years from the original purchase date.
2. In the event a replacement unit is issued, the warranty coverage ends six (6) months following the receipt date of the replacement unit or the remainder of the existing warranty, whichever is later. SharkNinja reserves the right to replace the unit with one of equal or greater value.

### What is not covered by this warranty?

1. Normal wear and tear of wearable parts (such as foam filters, HEPA filters, pads, etc.), which require regular maintenance and/or replacement to ensure the proper functioning of your unit, are not covered by this warranty. Replacement parts are available for purchase at [sharkclean.ca/page/parts-and-accessories](https://sharkclean.ca/page/parts-and-accessories).
2. Any unit that has been tampered with or used for commercial purposes.
3. Damage caused by misuse (e.g., vacuuming up water or other liquids), abuse, negligent handling, failure to perform required maintenance (e.g., not cleaning the filters, not removing debris from the brushroll), or damage due to mishandling in transit.
4. Consequential and incidental damages.
5. Defects caused by repair persons not authorized by SharkNinja. These defects include damages caused in the process of shipping, altering, or repairing the SharkNinja product (or any of its parts) when the repair is performed by a repair person not authorized by SharkNinja.
6. Products purchased, used, or operated outside North America.

### How to get service

If your appliance fails to operate properly while in use under normal household conditions within the warranty period, visit [sharkclean.ca/support](https://sharkclean.ca/support) for product care and maintenance self-help. Our Customer Service Specialists are also available at **1-855-520-7816** to assist with product support and warranty service options, including the possibility of upgrading to our VIP warranty service options for select product categories. So we may better assist you, please register your product online at [registry.yourshark.com](https://registry.yourshark.com) and have the product on hand when you call.

SharkNinja will cover the cost for the customer to send in the unit to us for repair or replacement. A fee of \$25.95 (subject to change) will be charged when SharkNinja ships the repaired or replacement unit.

### How to initiate a warranty claim


You must call **1-855-520-7816** to initiate a warranty claim. You will need the receipt as proof of purchase. We also ask that you register your product online at [sharkclean.ca/register/guarantee](https://sharkclean.ca/register/guarantee) and have the product on hand when you call, so we may better assist you. A Customer Service Specialist will provide you with return and packing instruction information.


### How state law applies

This warranty gives you specific legal rights, and you also may have other rights that vary from state to state. Some states do not permit the exclusion or limitation of incidental or consequential damages, so the above may not apply to you.

## REGISTER YOUR PURCHASE

 [sharkclean.ca/register/guarantee](https://sharkclean.ca/register/guarantee)

 Scan QR code using mobile device

 Scan here or visit [qr.sharkclean.com/odortech](https://qr.sharkclean.com/odortech) for more information



Benefits of registering your product and creating an account:

- Get easier, faster product support and access to warranty information
- Access troubleshooting and product care instructions
- Be among the first to know about exclusive product promotions

**TIP:** You can find the model and serial numbers on the QR code label on the bottom of the back of the vacuum pod.

## RECORD THIS INFORMATION

Model Number: \_\_\_\_\_

Serial Number: \_\_\_\_\_

Date of Purchase: \_\_\_\_\_  
(Keep receipt)

Store of Purchase: \_\_\_\_\_

## TECHNICAL SPECIFICATIONS

Voltage: 120V~, 60Hz

Watts: 960W

## ODOR NEUTRALIZER TECHNOLOGY SPECIFICATIONS

1. Product Name: Odor Neutralizer Technology Cartridge
2. Manufacturer: Shark Ninja 89 A Street Needham, MA 02494
3. Weight: 17.6g / 0.62oz
4. Ingredients: Solid SM composite polymer C17 + fragrance SE 272235

# CONSIGNES DE SÉCURITÉ IMPORTANTES

POUR USAGE DOMESTIQUE SEULEMENT

## ⚠ AVERTISSEMENT

**Pour réduire le risque d'incendie, de décharge électrique, de blessure ou de dommages matériels lors de l'utilisation d'un appareil électrique, il faut toujours suivre les précautions de base suivantes :**

### LISEZ TOUTES LES INSTRUCTIONS AVANT D'UTILISER CET ASPIRATEUR

1. Inspectez le cordon d'alimentation et la fiche pour déceler d'éventuels dommages avant l'utilisation. **N'UTILISEZ PAS** l'aspirateur si le cordon d'alimentation ou la fiche sont endommagés. Fermez toutes les commandes avant de brancher ou de débrancher l'aspirateur. Rangez l'aspirateur en prenant soin d'enrouler le cordon d'alimentation autour des deux crochets à cordon. Pour minimiser le risque d'endommager le cordon d'alimentation, ne laissez pas la brosse rotative motorisée ingérer le cordon. Si cela se produit, coupez immédiatement l'alimentation de l'aspirateur et retirez le cordon.
2. Cet appareil est muni d'une fiche polarisée. Si la fiche ne s'insère pas complètement dans la prise électrique, inversez la fiche (une lame est plus large que l'autre). Si elle ne s'insère toujours pas, communiquez avec un électricien qualifié. **NE FORCEZ PAS** pour insérer la fiche dans la prise et ne tentez pas de la modifier.
3. Votre aspirateur pourrait être composé d'une buse motorisée, d'un tube, d'un tuyau ou d'un réceptacle. Cet appareil comporte des raccordements électriques, du filage électrique et des pièces amovibles pouvant exposer l'utilisateur à certains risques.
4. Utilisez uniquement des pièces de rechange identiques.
5. Respectez et suivez attentivement les instructions ci-dessous afin d'éviter tout usage inadéquat de l'appareil. **N'UTILISEZ PAS** l'aspirateur pour un usage autre que ceux décrits dans le présent manuel.
6. Avant d'utiliser l'appareil, inspectez soigneusement toutes les pièces afin de déceler tout dommage. **NE L'UTILISEZ PAS** s'il est endommagé.
7. L'utilisation d'une rallonge électrique **N'EST PAS** recommandée.
8. Cet aspirateur ne contient aucune pièce pouvant être réparée par l'utilisateur.

### AVERTISSEMENTS CONCERNANT L'UTILISATION

9. Cet appareil peut être utilisé par des personnes dont les capacités physiques, sensorielles ou mentales sont réduites ou qui manquent d'expérience et de connaissances seulement si elles ont été supervisées ou instruites par rapport à l'utilisation sécuritaire de l'appareil et si elles comprennent les dangers possibles. Les enfants ne peuvent pas nettoyer ni entretenir l'appareil. Gardez l'appareil et son câble hors de la portée des enfants. **NE LAISSEZ PAS** les enfants se servir de l'appareil. **NE PERMETTEZ PAS** de l'utiliser comme un jouet. Une surveillance étroite est nécessaire lorsque l'appareil est utilisé en présence d'enfants.
10. Mettez toujours l'aspirateur hors tension avant d'attacher ou de détacher la buse motorisée ou un autre accessoire.
11. **NE MANIPULEZ PAS** la fiche ou l'aspirateur avec les mains mouillées.
12. **N'UTILISEZ PAS** l'appareil si les filtres ne sont pas en place.
13. Utilisez uniquement des filtres et des accessoires de marque Shark®.
14. **N'ENDOMMAGEZ PAS** le cordon d'alimentation :
  - a) **N'UTILISEZ PAS** le cordon d'alimentation comme poignée pour transporter ou pour tirer l'aspirateur.
  - b) **NE DÉBRANCHEZ PAS** l'appareil en tirant sur le cordon d'alimentation. Agrippez la fiche et non le cordon d'alimentation.
  - c) **NE PASSEZ PAS** l'aspirateur sur le cordon d'alimentation, ne fermez pas de porte sur le cordon, ne tendez pas le cordon sur des coins pointus et ne laissez pas le cordon près de surfaces chaudes.
15. **ÉVITEZ** d'insérer des objets dans les ouvertures de la buse ou de tout autre accessoire. **N'UTILISEZ PAS** l'appareil si une ouverture est obstruée. Veillez à ce que les ouvertures ne soient pas bloquées par de la poussière, de la peluche, des cheveux ou tout autre élément qui pourrait gêner la circulation de l'air.
16. **N'UTILISEZ PAS** l'appareil si le flux d'air de la buse ou de l'accessoire est obstrué. Si la buse de plancher motorisée ou les conduits d'air deviennent obstrués, éteignez l'aspirateur et débranchez-le

de la prise de courant. Retirez toute obstruction avant de remettre l'appareil en marche.

17. Tenez la buse et tous les orifices de l'aspirateur éloignés des cheveux, du visage, des doigts, des pieds déchaussés ou de vêtements amples.
18. **N'UTILISEZ PAS** l'aspirateur s'il ne fonctionne pas comme prévu, ou s'il a été échappé sur le sol, endommagé, laissé à l'extérieur ou immergé.
19. Soyez extrêmement prudent lorsque vous nettoyez les escaliers.
20. **NE LAISSEZ PAS** l'aspirateur sans surveillance lorsqu'il est branché.
21. Lorsqu'il est en marche, gardez l'aspirateur en mouvement sur le tapis en tout temps, afin d'éviter d'endommager les fibres du tapis.
22. **NE PLACEZ PAS** l'aspirateur sur des surfaces instables comme des chaises ou des tables.
23. Votre aspirateur Shark® pourrait ne pas avoir été conçu pour se maintenir de lui-même en position verticale. Lorsque vous prenez une pause, vous devez peut-être l'appuyer contre un meuble ou un mur, ou le placer sur le plancher. Toute utilisation où l'aspirateur serait dans une position instable pourrait entraîner des blessures corporelles.
24. **N'UTILISEZ PAS** l'appareil pour aspirer :
  - a) Des liquides
  - b) Des objets de grande taille
  - c) Des objets durs ou tranchants (verre, clous, vis ou pièces de monnaie)
  - d) De grandes quantités de poussière (poussière de cloison sèche, cendres ou braises de foyer). **N'UTILISEZ PAS** l'aspirateur comme accessoire pour un outil électrique pour l'aspiration de la poussière.
  - e) Des objets fumants ou brûlants (charbons ardents, mégots de cigarettes ou allumettes)
  - f) Des matériaux inflammables ou combustibles (essence à briquet, essence ou kérosène)
  - g) Des matières toxiques (eau de Javel, ammoniac ou produit débouchant)
25. **N'UTILISEZ PAS** l'appareil dans les endroits suivants :
  - a) Les endroits faiblement éclairés
  - b) Les surfaces humides ou mouillées
  - c) À l'extérieur
  - d) Endroits fermés pouvant contenir des matières explosives ou des fumées ou des vapeurs toxiques (essence à briquet, essence, kérosène, peinture, diluants à peinture, produits de traitement antimite ou poussières inflammables)

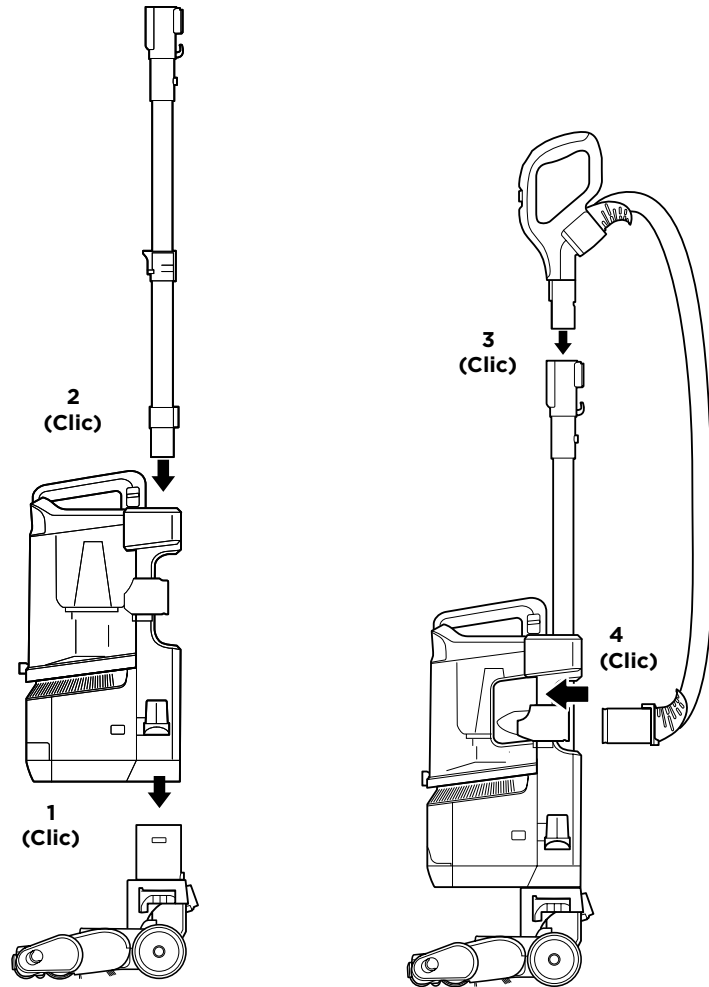
26. Fermez toutes les commandes avant de débrancher ou de débrancher l'aspirateur.

### ODEUR

27. Lorsque vous manipulez la cartouche d'élimination des odeurs, veuillez respecter les consignes suivantes :
  - a) N'essayez PAS de démonter la cartouche d'élimination des odeurs.
  - b) Évitez tout contact direct avec la capsule de parfum comprise dans la cartouche.
  - c) NE PAS INHALER la cartouche d'élimination des odeurs directement.
  - d) Gardez-la hors de la portée des enfants et des animaux domestiques.
  - e) Gardez-la loin des sources de chaleur, des étincelles et des flammes.
  - f) NE L'EXPOSEZ PAS au soleil direct.**PREMIERS SOINS RELATIFS À LA CARTOUCHE PARFUMÉE**
  - a) Évitez tout contact avec les tissus et les surfaces finies.
  - b) Contact avec les yeux : Retirez les verres de contact, le cas échéant. Rincez les yeux à l'eau de façon continue pendant plusieurs minutes.
  - c) Contact avec la peau : Lavez vos mains soigneusement après avoir manipulé la cartouche. En cas d'irritation ou d'éruption cutanée, consultez un professionnel de la santé.
  - d) Inhalation : En présence de symptômes respiratoires, déplacez la personne vers une source d'air frais. Si les symptômes persistent, consultez un professionnel de la santé.
  - e) Ingestion : NE PROVOQUEZ PAS de vomissement. Consultez un professionnel de la santé.
28. Débranchez l'appareil de la prise murale lorsqu'il n'est pas en usage, et avant d'en faire l'entretien ou de le nettoyer.
29. Lavez à la main avec de l'eau seulement. L'utilisation de produits chimiques de nettoyage pourrait endommager l'appareil.
30. Pendant le nettoyage ou l'entretien, **NE COUPEZ AUCUNE** matière autre que des cheveux, des fibres ou de la ficelle enroulés autour de la brosse rotative.
31. Laissez tous les filtres sécher complètement avant de les remettre dans l'aspirateur pour éviter que du liquide ne soit aspiré dans les composants électriques.
32. Après avoir effectué l'entretien de routine, assurez-vous que le récipient à poussière et tous les filtres sont en place.
33. Le cas échéant, fixez le cordon d'alimentation autour des deux crochets avant de ranger l'appareil.

## CONSERVEZ CES INSTRUCTIONS

## ASSEMBLAGE

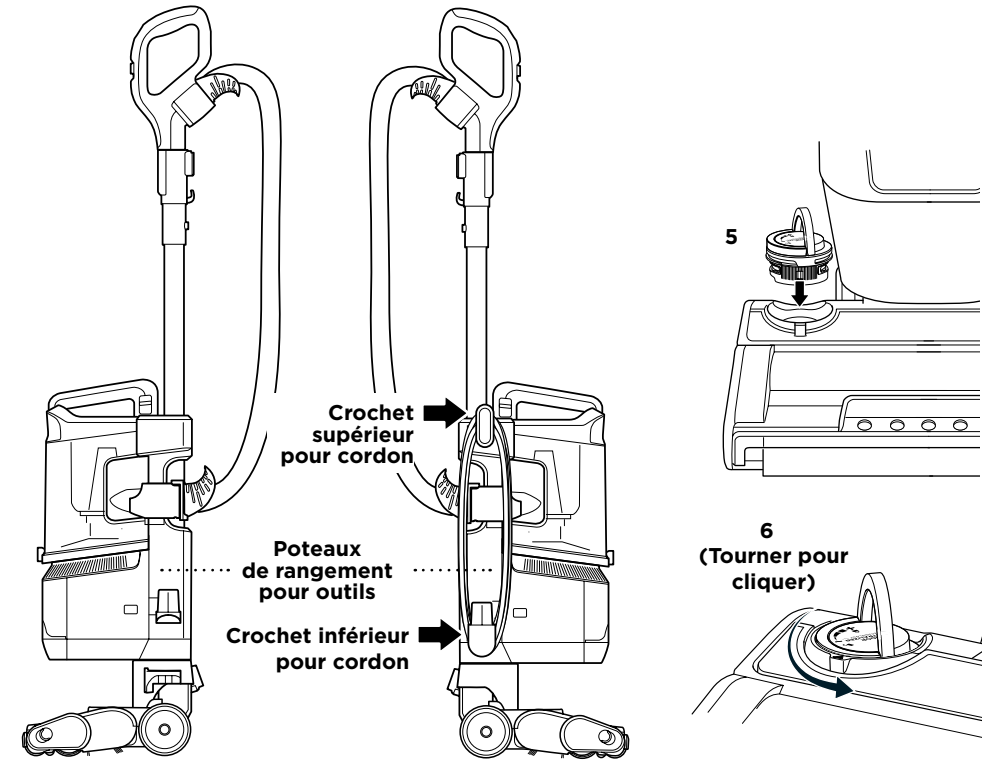


1. Placez le **module** sur le **montant de la tête de l'aspirateur**.
2. Insérez le **tube** dans le module.
3. Fixez le **porte-accessoires inférieur** au module.
4. Insérez la **poignée** dans le haut du tube.
5. Fixez l'attache du flexible au tube.
6. Raccordez le **flexible** à l'arrière du module.
7. Entreposez les **accessoires** sur les **poteaux de rangements pour outils**.

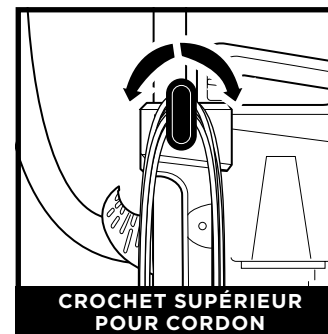
\* Consultez les deux pages suivantes pour obtenir des instructions d'assemblage plus détaillées ainsi que des images de la technologie d'élimination des odeurs.

**IMPORTANT:** Afin que l'appareil fonctionne correctement, assurez-vous que toutes les pièces sont maintenues fermement en place.

## ASSEMBLAGE

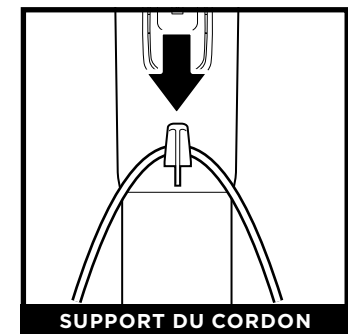


## CORDON D'ALIMENTATION



**CROCHET SUPÉRIEUR POUR CORDON**

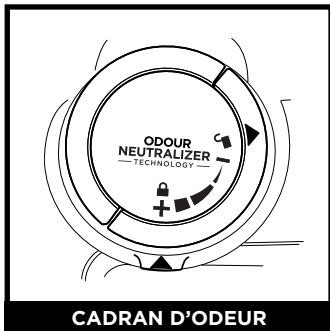
Pour accéder au cordon, faites pivoter le crochet supérieur vers le bas et retirez le cordon.



**SUPPORT DU CORDON**

Utilisez le support du cordon sur le côté du tube pour maintenir le cordon en place pendant l'aspiration.

PARAMÈTRES



CADRAN D'ODEUR

Relevez la poignée du cadran d'odeur et tournez le cadran pour régler l'intensité de la technologie d'élimination des odeurs ou pour déverrouiller le cadran pour accéder à la cartouche.

**Insertion/retrait :** Faites tourner le cadran d'odeur pour aligner les flèches sarcelle. Retirez le cadran pour accéder à la cartouche d'odeur et la retirer ou la remplacer.

**Bas :** Tournez le cadran à la position Low (Bas) pour diminuer l'intensité au niveau le plus bas lorsque l'aspirateur est utilisé.

**Élevé :** Tournez le cadran à la position High (Élevé) pour augmenter l'intensité au niveau le plus élevé lorsque l'aspirateur est utilisé. Cette position est le réglage recommandé pour un rendement optimal.

CONSEILS SUR LA TECHNOLOGIE D'ÉLIMINATION DES ODEURS

**Le cadran d'odeur doit être installé pour que l'aspirateur fonctionne correctement.**

- Retirez la cartouche d'odeur du cadran si vous ne voulez pas des avantages de la technologie d'élimination des odeurs.

**Entretien requis**

- Nettoyez tous les filtres comme recommandé dans la section Nettoyage des filtres.
- Videz le compartiment à poussière avant de ranger votre aspirateur.
- Remplacez la cartouche comme recommandé dans la section Remplacement de la cartouche d'odeur.
- Visitez le site [qr.sharkclean.com/odourtech](http://qr.sharkclean.com/odourtech) pour en savoir plus et acheter des pièces de rechange.
- Si vous avez ramassé des dégâts humides laissés par un animal de compagnie, nettoyez soigneusement l'aspirateur.

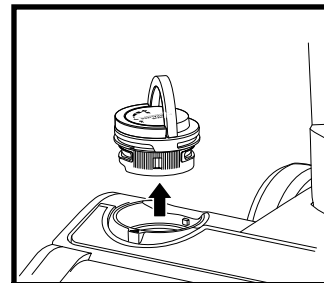
**Intensité de la fragrance au fil du temps**

- L'intensité de la fragrance de la technologie d'élimination des odeurs peut diminuer au fil du temps. Il se peut aussi que la fragrance ne soit pas perceptible. C'est naturel et cela n'indique pas que la technologie ne fonctionne pas. Suivez les instructions de remplacement pour obtenir un rendement optimal.

**REMARQUES :**

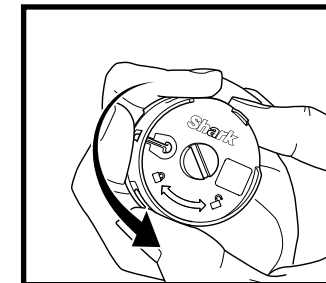
- Le cadran d'odeur doit être installé pour que l'aspirateur fonctionne correctement, avec ou sans la cartouche d'odeur.
- La technologie d'élimination des odeurs désodorise efficacement tout en interagissant avec les odeurs provenant de sources inanimées.

REMPACEMENT DE LA CARTOUCHE D'ODEUR



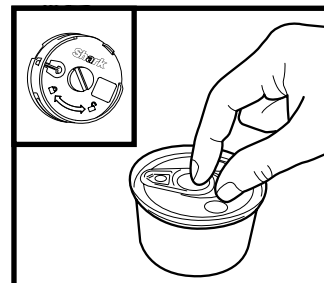
1. RETIRER LE CADRAN D'ODEUR DE LA TÊTE D'ASPIRATEUR

Relevez la poignée et tournez le cadran dans le sens horaire jusqu'à ce que les deux flèches sarcelle soient alignées. Tirez sur la poignée pour retirer le cadran de la tête d'aspirateur.



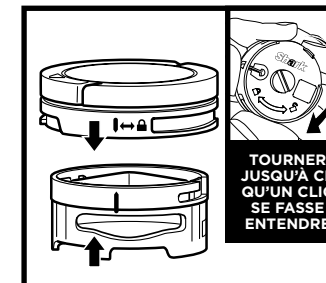
2. RETIRER LA CARTOUCHE D'ODEUR USAGÉE

Tournez la cartouche dans le sens antihoraire et tirez dessus pour la retirer du cadran.



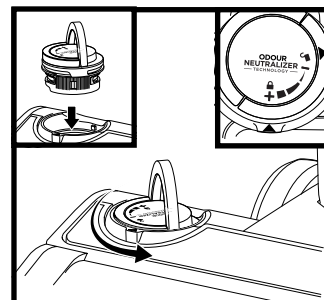
3. RETIRER LA NOUVELLE CARTOUCHE LA BOÎTE

Retirez la nouvelle cartouche de la boîte. Pour prolonger la durée de vie de la cartouche, conservez-la dans la boîte jusqu'à ce que vous soyez prêt à l'installer.



4. INSTALLER LA NOUVELLE CARTOUCHE DANS LE CADRAN

Alignez la flèche jaune sur le côté de la cartouche avec la flèche jaune sur le côté du couvercle du cadran, puis insérez la cartouche dans le cadran. Tournez la cartouche dans le sens horaire pour la verrouiller en place.



5. INSTALLER LE CADRAN DANS LA TÊTE D'ASPIRATEUR

Alignez la flèche sarcelle sur le couvercle du cadran avec la flèche sarcelle sur la tête d'aspirateur, puis réinsérez le cadran dans la tête d'aspirateur. Tournez le cadran dans le sens antihoraire jusqu'à ce qu'il s'enclenche au réglage d'intensité souhaité. Tournez-le davantage pour changer le réglage d'intensité.



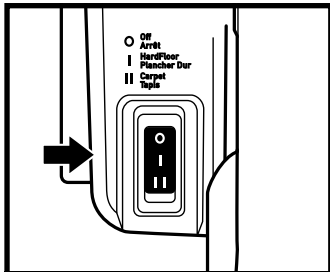
6. MISE AU REBUT DE LA CARTOUCHE USAGÉE

Jetez la cartouche usagée en la déposant dans la poubelle.

**REMARQUE :** Les cartouches d'odeur doivent être remplacées tous les 6 mois pour un rendement optimal de la technologie d'élimination des odeurs.

## NETTOYAGE DOMESTIQUE COMPLET

### SETTINGS

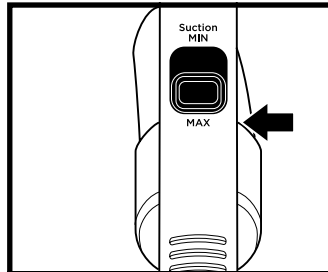


**BOUTON POWER/SURFACE (MISE EN MARCHÉ/SURFACE)**

Sélectionnez la mise en place de la surface :

- 0 Off (désactivé)**
- I Hard Floor (plancher)**  
Pour les planchers et les petits tapis.
- II Carpet (tapis)**  
Pour les tapis.

**REMARQUE:** Pour un nettoyage en profondeur conforme à la norme ASTM F608, réglez l'aspiration à MAX et utilisez le mode Carpet (tapis, réglage II).



**SÉLECTEUR DE PUISSANCE D'ASPIRATION**

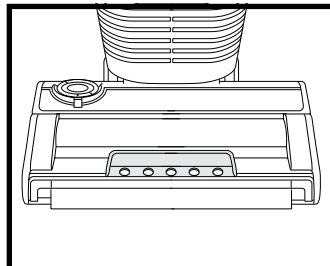
La glissière du sélecteur de puissance d'aspiration, située sur la poignée, permet d'ajuster l'aspiration en fonction du type de plancher.

**MIN (minimum) :** Pour réduire l'aspiration et augmenter la maniabilité sur les tapis.

**MAX (maximum) :** Pour augmenter l'aspiration sur les planchers.

**REMARQUE :** La brosse rotative tourne dans les deux modes.

### PHARES ET VOYANTS



**PHARES**

Les phares clignotent ou deviennent rouges pour indiquer les problèmes nécessitant une attention particulière.

**Voyants blancs continus:** Les brosses rotatives tournent et l'aspirateur fonctionne correctement.

**Voyants rouges continus:** La zone de la brosse rotative est obstruée. Éteignez l'aspirateur et débranchez-le, puis éliminez les obstructions dans la tête d'aspirateur.

**Voyants rouges clignotants:** La tête d'aspirateur motorisée surchauffe. Mettez l'aspirateur hors tension et débranchez-le, puis éliminez les obstructions dans la tête d'aspirateur. Laissez l'aspirateur refroidir pendant au moins 60 minutes avant de le redémarrer. Consultez la section Dépannage pour obtenir de plus amples renseignements.

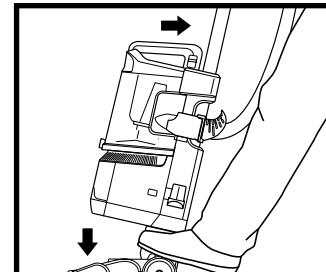
**Voyants blancs clignotants:** L'aspirateur fonctionne dans un environnement trop chaud ou trop froid. Cet aspirateur ne fonctionne correctement que dans des températures allant de 0 °C à 40 °C. Mettez l'aspirateur hors tension et réglez la température de la pièce.

**REMARQUE :** Pour un nettoyage en profondeur selon la norme ASTM F 608 (élimination des saletés incrustées dans les tapis), sélectionnez le réglage **Carpet/Low Pile** (carpettes/tapis à poils courts).

**REMARQUE :** Pour une aspiration maximale selon la norme ASTM F558 lors du nettoyage au-dessus du plancher, réglez l'appareil en mode **Hard Floor** (plancher).

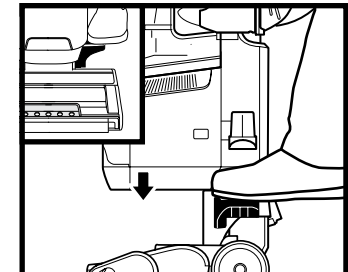
## NETTOYAGE DOMESTIQUE COMPLET

### CLEANING MODES



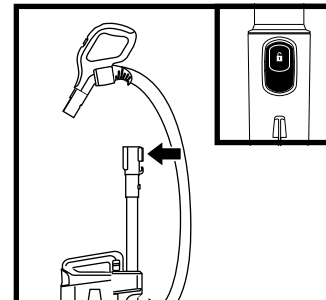
**VERTICAL**

Pour activer les **brosses rotatives**, sélectionnez le réglage de surface, posez le pied sur la tête d'aspirateur et inclinez fermement la poignée vers l'arrière.



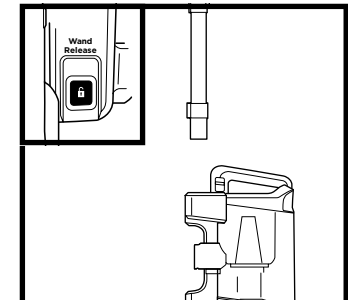
**MODE LIFT-AWAY**

Appuyez sur la pédale située sur la tête d'aspirateur pour soulever le module.



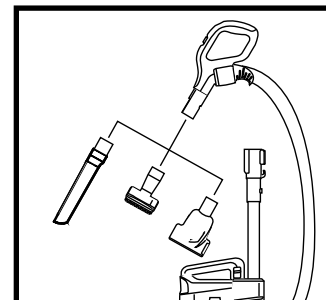
**AU-DESSUS DU SOL - POIGNÉE**

Appuyez sur le loquet **Handle Release** (dégagement de la poignée) afin de détacher la poignée du tube.



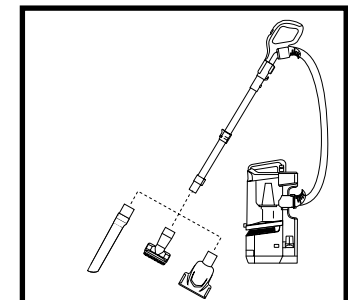
**AU-DESSUS DU SOL - TUBE**

Appuyez sur le bouton **Wand Release** (dégagement du tube) afin de détacher le tube du réceptacle.



**ACCESSOIRES - POIGNÉE**

Fixez un accessoire de nettoyage optionnel à la poignée ou au tube.

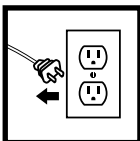


**ACCESSOIRES - TUBE**

**REMARQUE:** Tous les accessoires sont compatibles avec le tube et l'aspirateur à main. Les accessoires inclus varient selon le modèle.

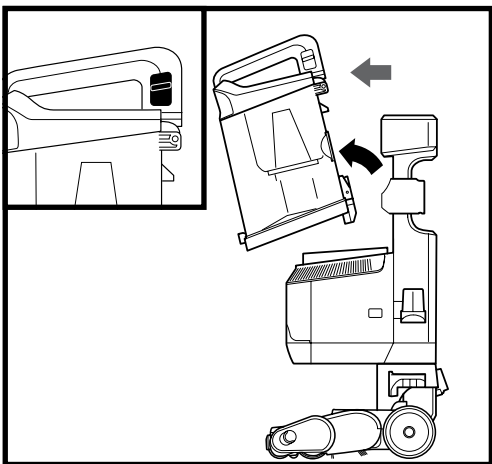


## VIDANGE DU RÉCIPIENT À POUSSIÈRE

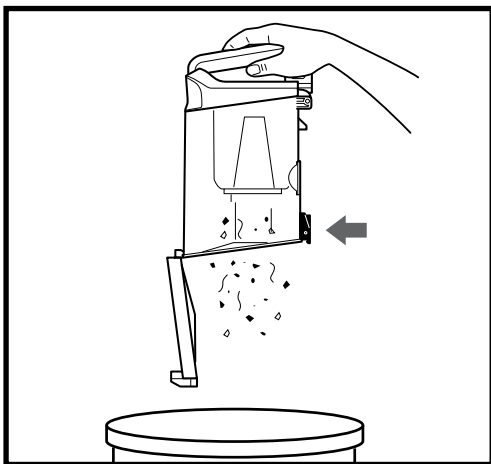


**IMPORTANT :** Débranchez le cordon d'alimentation avant d'effectuer tout entretien.

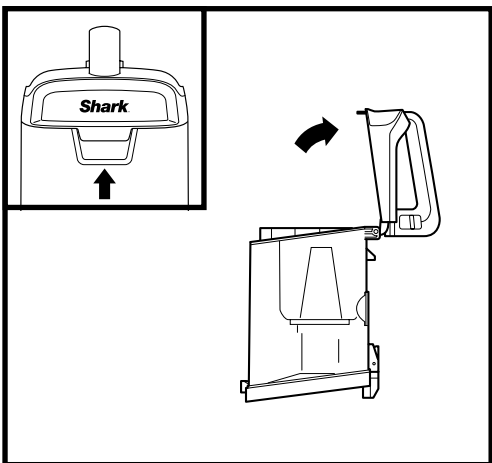
Videz le compartiment à poussière chaque fois que vous passez l'aspirateur et durant le nettoyage lorsque le compartiment est plein.



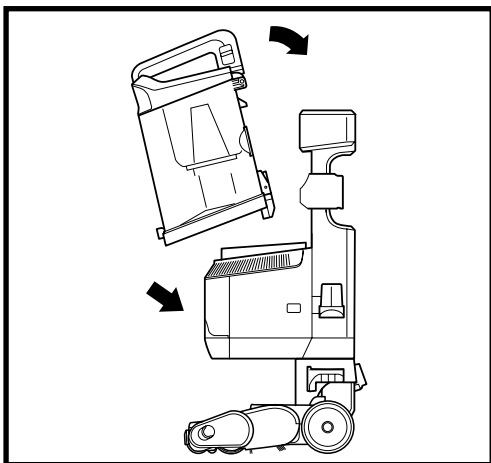
Pour retirer le **réceptacle à poussière**, appuyez sur le bouton de dégagement au-dessus du réceptacle. Inclinez le réceptacle à poussière en direction opposée du tube, puis soulevez-le afin de le retirer.



Pour vider les débris dans les poubelles, appuyez sur le bouton de relâchement inférieur et le bas du compartiment à poussière s'ouvrira.



Enlevez les débris du **réceptacle à poussière** dans le compartiment à poussière. Soulevez la languette de relâchement supérieure située sur le dessus du compartiment à poussière et ouvrez le couvercle. Brossez doucement le réceptacle à poussière pour enlever les débris.



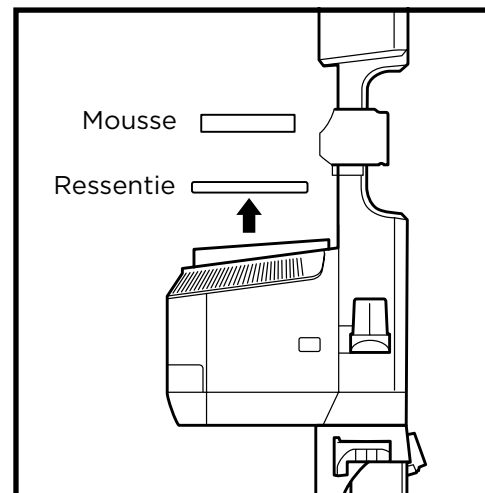
Afin de réinstaller le réceptacle à poussière, placez son dessous sur le réceptacle, puis inclinez le réceptacle à poussière jusqu'à ce que vous entendiez un déclic.

## NETTOYAGE ET REMPLACEMENT DES FILTRES

**Rincez et remplacez régulièrement les filtres afin de maintenir la puissance d'aspiration de votre aspirateur et d'optimiser l'efficacité de la technologie d'élimination des odeurs.**

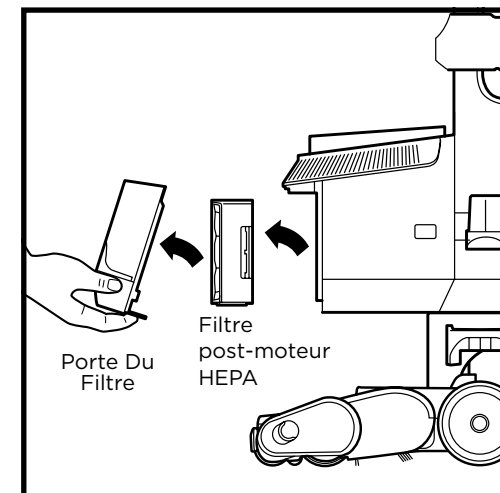
Pour éviter d'endommager l'aspirateur avec des produits de nettoyage chimiques, rincez les filtres à l'eau froide uniquement. Laissez les filtres sécher à l'air libre pendant au moins 24 heures avant de les réinstaller pour éviter que l'eau ne soit aspirée dans les composants électriques.

**IMPORTANT :** N'UTILISEZ PAS de savon pour nettoyer les filtres.



RINCEZ LES FILTRES PRÉ-MOTEUR  
TOUS LES MOIS

Retirez le **compartiment à poussière**, puis tirez les **filtres** vers le haut.



RINCEZ LE FILTRE HEPA  
CHAQUE ANNÉE

Pour retirer le **filtre HEPA**, tirez d'abord sur la languette située sous le couvercle du filtre, puis soulevez la trappe. Appuyez sur la languette sur le côté du filtre HEPA, puis retirez ce dernier. Pour refermer la trappe, alignez d'abord sa partie supérieure, puis appuyez sur sa partie inférieure jusqu'à ce qu'elle se fixe en place.



## ENTRETIEN

### ENTRETIEN DE LA BUSE

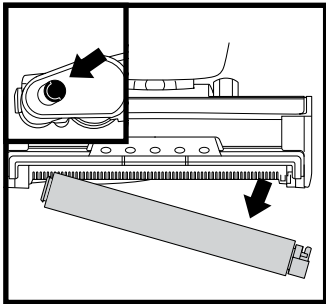
#### BROSSE ROTATIVE AUTONETTOYANTE

S'il y a des cheveux enroulés autour de la brosse rotative, continuez à passer l'aspirateur en utilisant le mode Carpet/Low Pile (carpettes/tapis à poils courts) sur les planchers, les tapis à poils courts ou les carpettes. Ainsi, la brosse rotative autonettoyante pourra enlever les cheveux enroulés et les envoyer dans le récipient à poussière.

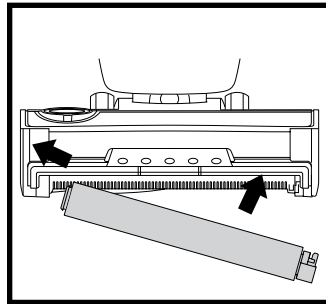
Si vous passez l'aspirateur sur un objet dur ou tranchant ou que vous remarquez un changement de bruit pendant que vous passez l'aspirateur, vérifiez la présence d'obstructions ou d'objets coincés dans la brosse rotative.

Si certaines fibres restent enroulées autour de la brosse rotative après une utilisation continue, retirez-les de la brosse.

#### NETTOYAGE DU ROULEAU DOUX

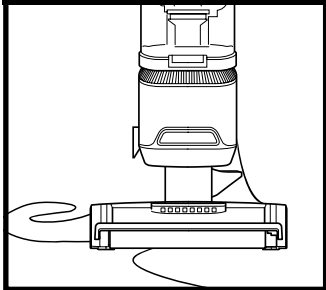


Pour enlever le rouleau doux, faites glisser le bouton d'accès de ce dernier vers l'avant.



Lavez le rouleau doux à la main au besoin. Utilisez uniquement de l'eau et laissez-le sécher entièrement à l'air libre pendant au moins 24 heures. Réinsérez le rouleau doux à l'avant de la buse jusqu'à ce qu'un clic se fasse entendre.

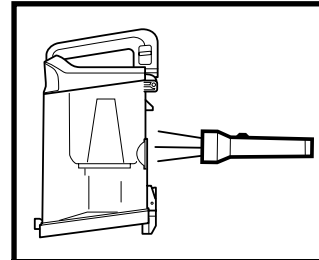
#### ENTRETIEN DU CORDON



Pour minimiser le risque d'endommager le cordon d'alimentation, NE PAS faire passer l'aspirateur sur le cordon d'alimentation. Si cela se produit, coupez immédiatement l'alimentation de l'aspirateur et retirez le cordon de la brosse rotative ou de la buse.

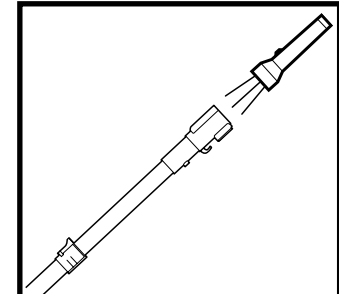
1. **N'UTILISEZ PAS** le cordon d'alimentation comme poignée, pour porter ou pour tirer l'aspirateur.
2. **NE DÉBRANCHEZ PAS** l'appareil en tirant sur le cordon d'alimentation. Agrippez par la fiche et non le cordon.
3. **NE FERMEZ PAS** de porte sur le cordon d'alimentation.
4. **NE TIREZ PAS** le cordon autour d'un coin pointu.
5. **NE LAISSEZ PAS** le cordon près de surfaces chauffées.

## CHECKING FOR BLOCKAGES



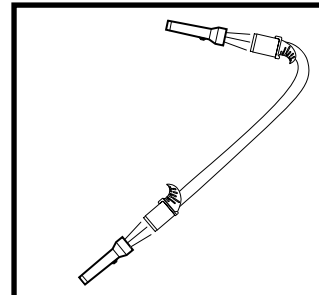
#### OBSTRUCTIONS DU RÉCIPIENT À POUSSIÈRE

Détachez le récipient à poussière du réceptacle de l'aspirateur. Videz le récipient à poussière, enlevez les débris du filtre à charpie et vérifiez s'il y a des obstructions.



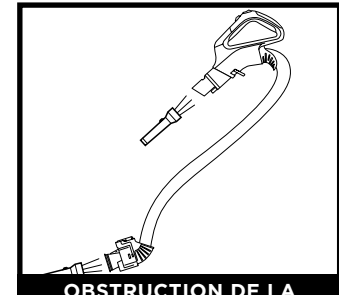
#### OBSTRUCTIONS DU TUBE

Détachez le tube de la buse de plancher et de la poignée et vérifiez s'il y a des obstructions des deux côtés.



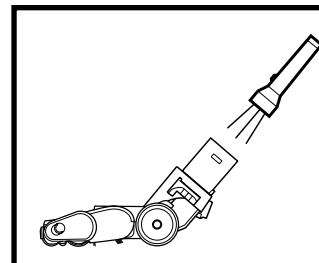
#### OBSTRUCTION DU TUBETUYAU

Détachez le tuyau de la poignée en appuyant sur le bouton de dégagement situé sur la partie supérieure du tuyau. Détachez le tuyau du module, puis vérifiez les extrémités pour trouver la source du blocage.



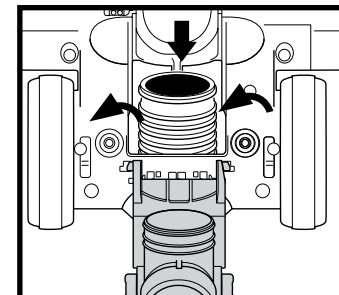
#### OBSTRUCTION DE LA POIGNÉE/TUYAU

Détachez la poignée du tube et le tuyau du réceptacle de l'aspirateur afin de vérifier s'il y a des obstructions aux extrémités.



#### OBSTRUCTIONS DE LA BUSE

Détachez la buse de plancher du tube et du réceptacle de l'aspirateur, inclinez la buse vers l'arrière, et vérifiez s'il y a des obstructions dans l'ouverture.



#### BLOCAGE DE LA BUSE DU TUYAU

Pour accéder au flexible de la tête d'aspirateur, pincez les points de contact de dégagement situés au bas de la tête d'aspirateur, puis soulevez le couvercle et éliminez les obstructions.

## ACCESSOIRES COMPRIS

### A Suceur plat

Ce mince outil est parfait pour nettoyer les espaces restreints, entre les coussins du divan et les zones difficiles à atteindre.

### B Accessoire polyvalent pour les poils d'animaux de compagnie

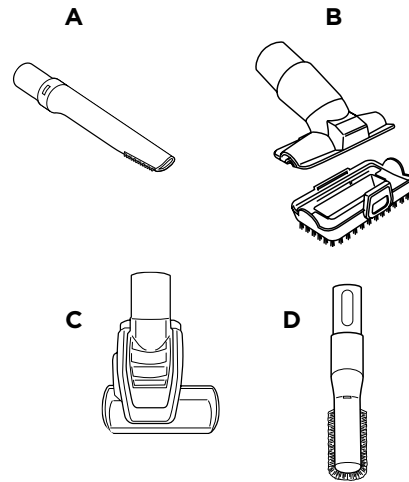
Un seul outil convertible pour nettoyer les dégâts des animaux de compagnie de deux manières : tout d'abord, utilisez la brosse aux soies rigides pour nettoyer les débris tenaces, ou retirez la brosse à poils pour révéler un outil à meubles parfait pour nettoyer les poils d'animaux tenaces et les tas de débris.

### C Brosse électrique autonettoyante HairPro™ pour animaux de compagnie

S'attaque aux poils d'animaux domestiques et à la saleté incrustée dans les zones surélevées, comme les marches recouvertes de tapis et les meubles en tissu, tout en retirant activement l'enroulement de poils et de cheveux pendant qu'elle nettoie.

### D Brosse à épousseter anti-allergène

Cette brosse est dotée de soies de fibres de nylon spécialement conçues pour enlever la poussière fine et les particules allergènes des surfaces les plus délicates.



## DÉPANNAGE

### Si le cordon d'alimentation reste coincé dans les brosses rotatives ou la tête d'aspirateur.

- Pour éviter le plus possible d'endommager le cordon d'alimentation, NE PASSEZ PAS l'aspirateur sur le cordon d'alimentation. Si cela se produit, coupez immédiatement l'alimentation de l'aspirateur et retirez le cordon des brosses rotatives ou de la tête d'aspirateur.
- Vérifiez si le cordon d'alimentation et la fiche sont endommagés avant d'utiliser l'aspirateur. N'utilisez UTILISEZ PAS un aspirateur dont la fiche ou le cordon est endommagé. Éteignez toutes les commandes avant de brancher ou de débrancher l'aspirateur. Rangez votre aspirateur avec le cordon d'alimentation enroulé autour des deux crochets.

### L'aspirateur n'aspire pas les débris. Aucune aspiration ou faible aspiration.

- Vérifiez les filtres pour voir s'ils ont besoin d'être nettoyés. Suivez les instructions pour rincer et sécher les filtres à l'air avant de les réinstaller dans l'aspirateur.
- Le compartiment à poussière est peut-être plein. Videz le compartiment à poussière.
- Vérifier la poignée, le tuyau, les raccords de tuyau, la tête d'aspirateur, le tube, le module et les accessoires afin de vous assurer qu'ils ne sont pas obstrués. Nettoyez toute partie obstruée.
- Si des fibres de corde, de cheveux ou de tapis sont enroulées autour de la brosse rotative PowerFins®, coupez délicatement les débris avec des ciseaux et retirez-les. Consultez la section Entretien de la tête d'aspirateur pour obtenir de plus amples renseignements.

### L'aspirateur soulève les tapis.

- Assurez-vous que l'interrupteur d'alimentation/de sélection de surface est réglé à Hard Floor (plancher dur, réglage I).
- Assurez-vous que le curseur de la puissance d'aspiration situé sur la poignée est réglé sur MIN.
- L'appareil a une forte puissance d'aspiration. Faites attention lorsque vous passez l'aspirateur sur les petits tapis ou ceux dotés d'une bordure délicate.

### Les brosses rotatives ne tournent pas en mode Nettoyage de tapis.

- Si le voyant est rouge, éteignez immédiatement l'aspirateur et débranchez-le. Retirez le module de la tête d'aspirateur et dégagez les obstructions. Réinstallez la tête d'aspirateur, branchez l'aspirateur et mettez-le sous tension.
- Lorsque l'appareil est en marche, inclinez la poignée pour activer automatiquement les brosses rotatives.
- Si le problème persiste sur les tapis épais, déplacez le curseur de la puissance d'aspiration à MIN.

### L'aspirateur s'éteint tout seul ou le voyant indicateur clignote en rouge.

En cas de surchauffe de l'aspirateur, le thermostat éteint automatiquement le moteur de l'appareil. Suivez les étapes ci-dessous pour réinitialiser l'appareil :

1. Éteignez l'aspirateur et débranchez-le.
2. Videz le récipient à poussière et nettoyez les filtres. Reportez-vous aux sections Vidange du récipient à poussière et Nettoyage des filtres pour plus de renseignements.
3. Vérifiez s'il y a des obstructions dans le tuyau, le tube, la buse de plancher, les accessoires et les orifices d'entrée.
4. Laissez refroidir l'appareil pendant au moins 60 minutes.
5. Branchez l'aspirateur et mettez-le en marche.

### Trousse de détail pour la maison et l'automobile

- L'aspirateur rejette de l'air qui sent mauvais.
- Le compartiment à poussière est peut-être plein. Videz le compartiment à poussière. Videz le compartiment à poussière après chaque utilisation pour optimiser le rendement de la technologie d'élimination des odeurs.
- Vérifiez les filtres pour voir s'ils ont besoin d'être nettoyés. Suivez les instructions pour rincer et sécher les filtres à l'air libre avant de les réinstaller.
- Assurez-vous que la cartouche d'odeur est installée dans le cadran et que le cadran est installé dans la tête d'aspirateur.
- Vérifiez le cadran d'odeur de la technologie d'élimination des odeurs sur la tête d'aspirateur pour voir quel réglage est activé.
- Si le cadran d'odeur de la technologie d'élimination des odeurs est réglé entre Low (Bas) et High (Élevé) et que la cartouche a été installée il y a 6 mois ou plus, pensez à remplacer la cartouche.
- Si la cartouche d'odeur émet toujours une fragrance que vous n'aimez pas, pensez à réduire l'intensité ou réinstallez le cadran dans la tête d'aspirateur sans la cartouche.
- Si la cartouche d'odeur de la technologie d'élimination des odeurs ne dégage pas de fragrance, pensez à la remplacer.

Pour tout autre problème, veuillez communiquer avec le service clientèle en composant le 1-855-520-7816.

Pour tous les accessoires compatibles, visitez [sharkclean.ca](http://sharkclean.ca)

## GARANTIE LIMITÉE DE CINQ (5) ANS

La garantie limitée de cinq (5) ans s'applique aux achats effectués auprès de détaillants autorisés de **SharkNinja Operating LLC**. La garantie s'applique uniquement au premier propriétaire et au produit original et n'est pas transférable.

SharkNinja garantit ce produit contre toute défectuosité de matériau ou de main-d'œuvre pour une période de cinq (5) ans à compter de la date d'achat, dans le cadre d'un usage domestique normal et si le produit est entretenu conformément aux exigences décrites dans le guide de l'utilisateur, sujet aux conditions et aux exclusions ci-dessous :

### Qu'est-ce qui est couvert par cette garantie?

1. L'appareil d'origine ou les pièces inusables considérés comme défectueux, à la seule discrétion de SharkNinja, seront réparés ou remplacés jusqu'à cinq (5) ans à compter de la date d'achat initiale.
2. Dans le cas d'un remplacement de l'appareil, la garantie prendra fin six (6) mois après la date de réception de l'appareil de remplacement ou pendant le reste de la période de garantie existante, selon la période la plus longue. SharkNinja se réserve le droit de remplacer l'appareil par un autre de valeur égale ou supérieure.

### Qu'est-ce qui n'est pas couvert par cette garantie?

1. L'usure normale des pièces (comme les filtres en mousse, les filtres HEPA, les tampons, etc.) qui nécessitent un entretien et/ou un remplacement réguliers afin d'assurer le bon fonctionnement de votre appareil n'est pas couverte par cette garantie. Vous pouvez faire l'achat de pièces de rechange par l'entremise du site [sharkclean.ca/page/parts-and-accessories](https://sharkclean.ca/page/parts-and-accessories).
2. La garantie ne s'applique pas aux appareils ayant été altérés ou utilisés à des fins commerciales.
3. Les dommages causés par une mauvaise utilisation (comme aspirer de l'eau ou d'autres liquides), un abus, une négligence lors de la manipulation, un manquement à l'entretien nécessaire (comme ne pas nettoyer les filtres ne pas enlever les débris du rouleau de brosse), ou un dommage dû à une mauvaise manipulation pendant le transport.
4. Les dommages indirects et accidentels.
5. Les défaillances causées par des réparateurs non autorisés par SharkNinja. Ces défectuosités incluent les dommages causés lors du processus d'expédition, de modification ou de réparation du produit SharkNinja (ou de l'une de ses pièces) lorsque la réparation est effectuée par un réparateur non autorisé par SharkNinja.
6. Les produits achetés, utilisés ou mis en fonction à l'extérieur de l'Amérique du Nord.

### Comment obtenir du service

Si votre appareil ne fonctionne pas comme il le devrait lors d'un usage domestique normal pendant la période de garantie, consultez le site [support.sharkclean.ca](https://support.sharkclean.ca) pour obtenir des renseignements au sujet des soins et de l'entretien du produit. Nos spécialistes du service à la clientèle sont aussi disponibles au **1-855-520-7816** pour de l'assistance sur les produits et les options de garantie de service offertes, y compris la possibilité de profiter de nos options de garantie VIP pour certaines catégories de produits. Afin que nous puissions mieux vous aider, veuillez enregistrer votre produit en ligne au [sharkclean.ca/register/guarantee](https://sharkclean.ca/register/guarantee) et ayez le produit à portée de main lorsque vous appelez.

SharkNinja assumera les frais de retour de l'appareil à nos sites par le consommateur en vue de la réparation ou du remplacement de l'appareil. Un montant de 25,95 \$ (sujet à changement) sera facturé lorsque SharkNinja expédiera l'appareil réparé ou remplacé.

### Comment présenter une demande de service sous garantie


Vous devez téléphoner au **1-855-520-7816** pour soumettre une réclamation au titre de la garantie. Vous aurez besoin du reçu comme preuve d'achat. Nous vous demandons également d'enregistrer votre produit en ligne au [sharkclean.ca/register/guarantee](https://sharkclean.ca/register/guarantee) et d'avoir le produit à portée de main lorsque vous appelez afin que nous puissions mieux vous aider. Un spécialiste du service à la clientèle vous fournira les directives d'emballage et de retour.


### Manière dont les lois provinciales ou étatiques s'appliquent

Cette garantie vous accorde des droits spécifiques légaux et vous pouvez aussi bénéficier d'autres droits qui varient d'une province ou d'un État à l'autre. Certains États américains ou certaines provinces canadiennes n'acceptent pas l'exclusion ou la limitation de dommages accessoires ou indirects, de sorte que les dispositions ci-dessus peuvent ne pas s'appliquer à votre cas.

## ENREGISTREZ VOTRE ACHAT

 [sharkclean.ca/register/guarantee](https://sharkclean.ca/register/guarantee)

 Numérisez le code QR avec votre appareil mobile

 Scannez ici ou visitez [qr.sharkclean.com/odourtech](https://qr.sharkclean.com/odourtech) pour plus d'informations



Les avantages d'enregistrer votre produit et de créer un compte :

- Obtenez un support produit plus facile et plus rapide, et accédez aux informations de garantie
- Accédez aux instructions de dépannage et de maintenance produit
- Soyez parmi les premiers à connaître les promotions de produits exclusives

**CONSEIL :** Vous trouverez les numéros de modèle et de série sur l'étiquette du code QR située en bas de l'arrière de l'aspirateur.

## NOTEZ LES RENSEIGNEMENTS CI-DESSOUS

Numéro de modèle : \_\_\_\_\_

Numéro de série : \_\_\_\_\_

Date d'achat : \_\_\_\_\_  
(Conservez la facture)

Magasin où l'appareil a été acheté : \_\_\_\_\_

## CARACTÉRISTIQUES TECHNIQUES

Tension : 120 V~, 60 Hz

Puissance : 960 W

## SPÉCIFICATIONS DE LA TECHNOLOGIE D'ÉLIMINATION DES ODEURS

1. Nom du produit : Cartouche de technologie d'élimination des odeurs
2. Fabricant : SharkNinja 89 A Street Needham, MA 02494
3. Poids : 17,6g / 0,62oz
4. Ingrédients : Polymère composite solide SM C17 + fragrance SE 272235

**PLEASE READ CAREFULLY AND KEEP FOR FUTURE REFERENCE.**

This Owner's Guide is designed to help you get a complete understanding of your new Shark® DuoClean® PowerFins® HairPro™ Lift-Away® with Self-Cleaning Brushroll and Odor Neutralizer Technology Upright Vacuum.

SharkNinja Operating LLC  
US: Needham, MA 02494  
CAN: Ville St-Laurent, QC H4S 1A7  
1-855-520-7816  
sharkclean.ca

Illustrations may differ from actual product. We are constantly striving to improve our products; therefore the specifications contained herein are subject to change without notice.

This product may be covered by one or more U.S. patents. See [sharkninja.com/patents](http://sharkninja.com/patents) for more information.

**VEUILLEZ LIRE ATTENTIVEMENT LE PRÉSENT MODE D'EMPLOI ET LE CONSERVER À TITRE INFORMATIF.**

Ce Guide de l'utilisateur est conçu pour vous aider à comprendre parfaitement votre nouvel aspirateur vertical Shark® DuoClean® PowerFins® HairPro™ Lift-Away® avec brosse rotative autonettoyante et technologie d'élimination des odeurs.

SharkNinja Operating LLC  
États-Unis : Needham, MA 02494  
Canada : Saint-Laurent (Québec) H4S 1A7  
1-855-520-7816  
sharkclean.ca

Les illustrations peuvent différer du produit réel. Nous tentons constamment d'améliorer nos produits; par conséquent, les caractéristiques indiquées dans le présent guide peuvent être modifiées sans préavis.

Ce produit peut être couvert par un ou plusieurs brevets américains. Voir [sharkninja.com/patents](http://sharkninja.com/patents) pour plus d'informations.

---

© 2023 SharkNinja Operating LLC. DUOCLEAN, LIFT-AWAY, POWERFINS, and SHARK are registered trademarks of SharkNinja Operating LLC. HAIRPRO is a trademark of SharkNinja Operating LLC.

© 2023 SharkNinja Operating LLC. DUOCLEAN, LIFT-AWAY, POWERFINS et SHARK sont des marques déposées de SharkNinja Operating LLC. HAIRPRO est une marque déposée de SharkNinja Operating LLC.



@sharkhomeca