

SHARK® CORDLESS IZ500 SERIES IMPORTANT SAFETY INSTRUCTIONS

 **WARNING: TO REDUCE THE RISK OF INJURY, USER MUST READ INSTRUCTION MANUAL • HOUSEHOLD USE ONLY**

WARNING When using an electrical appliance, to reduce the risk of fire, electric shock, injury, or property damage, basic precautions should always be followed, including the following:

1. This vacuum consists of a motorized nozzle, wand, and handheld vacuum. These components contain electrical connections, electrical wiring, and moving parts that potentially present risk to the user. The floor nozzle, wand, and handheld vacuum contain electrical connections.
 2. Before each use, carefully inspect all parts for any damage. If a part is damaged, discontinue use.
 3. Use only identical replacement parts.
 4. This vacuum contains no serviceable parts.
 5. Use only as described in this manual. **DO NOT** use the vacuum for any purpose other than those described in this manual.
 6. With the exception of the filters and dust cup, **DO NOT** expose any parts of the vacuum to water or other liquids.
 7. Keep the appliance and its cord out of reach of children. **DO NOT** allow the appliance to be used by children. **DO NOT** allow to be used as a toy. Close supervision is necessary when used near children.
- ### GENERAL USE
8. This appliance can be used by persons with reduced physical, sensory, or mental capabilities or lack of experience and knowledge if they have been given supervision or instruction concerning use of the appliance in a safe way and understand the hazards involved. Cleaning and user maintenance shall not be made by children.
 9. Always turn off the vacuum before connecting or disconnecting any current carrying hoses, motorized nozzles, chargers, batteries, or other electrical or mechanical parts.
 10. **DO NOT** handle plug or vacuum with wet hands.
 11. **DO NOT** use without dust cup, HEPA and Pre-motor filter, and soft roller in place.
 12. Only use Shark® branded filters and accessories. Failure to do so will void the warranty.
 13. **DO NOT** put any objects into nozzle or accessory openings. **DO NOT** use with any opening blocked; keep free of dust, lint, hair, and anything that may reduce airflow.
 14. **DO NOT** use if nozzle or accessory airflow is restricted. If the air paths or the motorized floor nozzle become blocked, turn the vacuum off. Remove all obstructions before you turn on the unit again.
 15. Keep nozzle and all vacuum openings away from hair, face, fingers, uncovered feet, or loose clothing.
 16. **DO NOT** use if vacuum is not working as it should, or has been dropped, damaged, left outdoors, or dropped into water.
 17. Use extra care when cleaning on stairs.
 18. **DO NOT** leave the vacuum unattended while powered on.
 19. When powered on, keep the vacuum moving over the carpet surface at all times to avoid damaging the carpet fibers.
 20. **DO NOT** place vacuum on unstable surfaces such as chairs or tables.
 21. **DO NOT** use to pick up:
 - a) Liquids
 - b) Large objects
 - c) Hard or sharp objects (glass, nails, screws, or coins)
 - d) Large quantities of dust (including drywall, fireplace ash, or embers). **DO NOT** use as an attachment to power tools for dust collection.
 - e) Smoking or burning objects (hot coals, cigarette butts, or matches)
 - f) Flammable or combustible materials (lighter fluid, gasoline, or kerosene)
 - g) Toxic materials (chlorine bleach, ammonia, or drain cleaner)
 22. **DO NOT** use in the following areas:
 - a) Poorly lit areas
 - b) Wet or damp surfaces
 - c) Outdoor areas
 - d) Spaces that are enclosed and may contain explosive or toxic fumes or vapors (lighter fluid, gasoline, kerosene, paint, paint thinners, mothproofing substances, or flammable dust).
 23. Turn off the vacuum before plugging in or unplugging the charger.
 24. Turn off the vacuum before any adjustment, cleaning, maintenance or troubleshooting.
 25. During cleaning or routine maintenance, **DO NOT** cut anything other than hair, fibers, or string wrapped around the brushrolls.
 26. Allow all filters to air-dry completely before replacing in the vacuum to prevent liquid from being drawn into electric parts.
 27. **DO NOT** modify or attempt to repair the vacuum or the battery yourself, except as indicated in this manual. **DO NOT** use the battery or vacuum if it has been modified or damaged. Damaged or modified batteries may exhibit unpredictable behavior resulting in fire, explosion, or risk of injury.
 28. Always turn off this appliance before connecting or disconnecting motorized nozzle or hand tool.
- ### BATTERY PACK
29. The battery is the power source for the vacuum. Carefully read and follow all charging instructions.
 30. To prevent unintentional starting, ensure the vacuum is powered off before picking up or carrying the vacuum. **DO NOT** carry the appliance with your finger on the power switch.
 31. Use only Shark® charger DK024-248080H-U or YLS0243A-T248080. Use of an incorrect charger may result in no charging, and/or unsafe conditions. A charger that is suitable for one type of battery pack may create a risk of fire when used with another battery pack.
 32. Keep the battery away from all metal objects such as paper clips, coins, keys, nails, or screws. Shorting the battery terminals increases the risk of fire or burns.
 33. Under abusive conditions, liquid may be ejected from the battery. Avoid contact with this liquid, as it may cause irritation or burns. If contact occurs, flush with water. If liquid contacts eyes, seek medical help.
 34. Battery should not be stored at temperatures below 3°C (37.4°F) or above 104°F (40°C) to maintain long-term battery life.
 35. **DO NOT** charge battery at temperatures below 5°C (40°F) or above 104°C (104°F). Charging improperly or at temperatures outside of the specified range may damage the battery and increase the risk of fire.
 36. Store the appliance indoors. **DO NOT** use or store it below 3°C (37.4°F). Ensure the appliance is at room temperature before operating.
 37. **DO NOT** expose the battery to fire or temperatures above 265°F (130°C) as it may cause explosion.
 38. Use appliances only with specifically designated battery packs. Use of any other battery packs may create a risk of injury and fire.
 39. Disconnect the battery pack from the appliance before making any adjustments, changing accessories, or storing appliance. Such preventive safety measures reduce the risk of starting the appliance accidentally.
 40. For IZ531H, use only with Shark battery pack XBATF620. For IZ540H and IZ541H models, use only with Shark battery pack XBATF625. For IZ562H, use only with Shark battery pack XBATR625.
 41. To reduce the risk of shock and unintended operation, turn off power and remove the Li-Ion battery before servicing.



READ AND SAVE THESE INSTRUCTIONS

VISIT qr.sharkclean.com/iz500series OR

SCAN HERE

FOR FULL INSTRUCTIONS & REPLACEMENT PARTS

Please be sure to read and save the warnings on other side prior to using your unit.



QUICK START GUIDE

How to set up your Shark® IZ500 Series Cordless Vacuum with Self-Cleaning Brushroll.

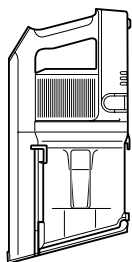
SETTING UP YOUR UNIT

1. Insert **Wand** into **Floor Nozzle**.
2. Insert **Handheld Vacuum** into wand.

For proper operation, ensure all components are completely connected and clicked into place.

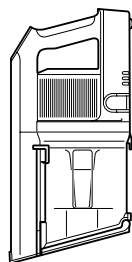
Handheld Vacuum with Non-Removable Battery

IZ530 Series
IZ540 Series



Handheld Vacuum with Removable Battery

IZ560 Series



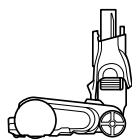
OR

2. ↓ (Click)

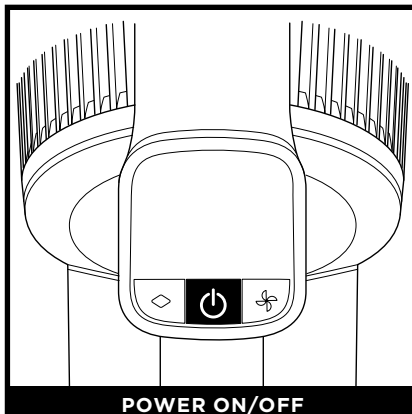


1. ↓ (Click)

PowerFins™ Floor Nozzle

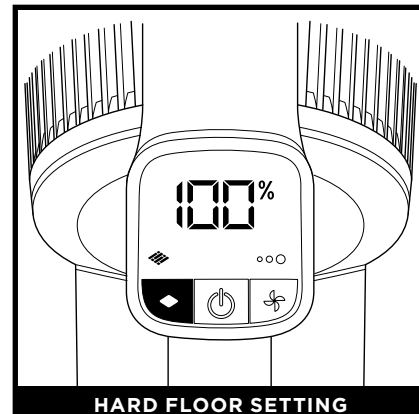


POWER SETTINGS



POWER ON/OFF

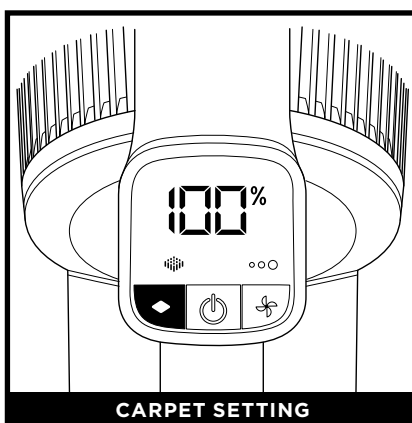
Press power button to turn the vacuum on or off.



HARD FLOOR SETTING

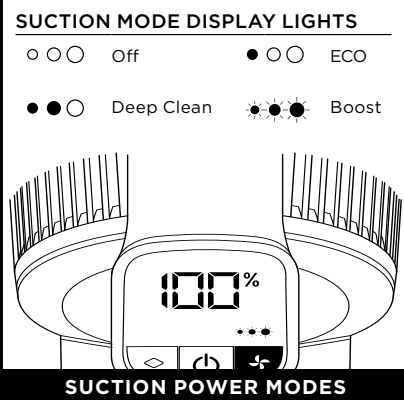
To vacuum in hard floor mode, press the floor select button until the hard floor icon (⚡) illuminates. The brushroll will spin slowly to clean bare floors and small area rugs.

NOTE: The unit will not turn on if the charger is connected. Unplug the charger before turning on vacuum power.



CARPET SETTING

To vacuum in carpet mode, press the floor select button until the carpet icon (🌿) illuminates. The brushroll will spin faster to pick up debris below the surface of your carpets.



SUCTION MODE DISPLAY LIGHTS

○ ○ ○ Off ● ○ ○ ECO
● ● ○ Deep Clean 🌟 🌟 🌟 Boost

SUCTION POWER MODES

Press the (🌀) button to toggle between ECO, Deep Clean, and Boost modes. To save battery power, select ECO mode. For everyday cleaning power, select Deep Clean. For an extra burst of power, select Boost mode.

ESSENTIAL MAINTENANCE

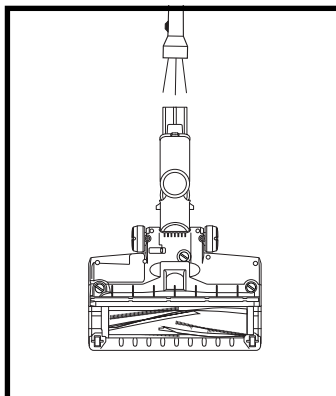
CLEANING THE FILTERS

Regularly rinse and replace the filters to maintain your vacuum's suction power.

To clean filters, rinse them with water only. Allow all filters to air-dry completely before reinstalling to prevent liquid from being drawn into electric parts. Clean the pre-motor filters at least once a month and post-motor HEPA filter at least once a year. Tap off loose dirt between washes when needed. More frequent cleaning may sometimes be necessary with heavy use.

IMPORTANT: DO NOT use soap when cleaning the filters. Use water only. The vacuum will not have suction if the post-motor HEPA filter is not installed. Ensure that all filters are installed before using.

CHECKING FOR BLOCKAGES



Checking for Blockages in the Floor Nozzle:

1. Turn off vacuum.
2. Detach the wand.
3. Use the edge of a coin to open the three locks on the bottom of the floor nozzle.
4. Remove the cover and tilt back the neck of the floor nozzle.
5. Check the opening and remove any debris.
6. Replace the cover by sliding the inserts into the slots, then pressing down firmly on all sides before turning the locks clockwise to close, until they click securely into place.