

# **Shark** Navigator®

## **Swivel Pro Complete Upright Vacuum**

## **Aspirateur Vertical Swivel Pro Complete**

NV151CA Series • Série

**OWNER'S GUIDE  
GUIDE DE L'UTILISATEUR**

---



# IMPORTANT SAFETY INSTRUCTIONS

FOR HOUSEHOLD USE ONLY • PLEASE READ CAREFULLY BEFORE USE

If the plug does not fit fully into the outlet, reverse the plug. If it still does not fit, contact a qualified electrician. **DO NOT** force into outlet or try to modify to fit.

## **⚠ WARNING**

To reduce the risk of fire, electric shock, injury, or property damage:

### GENERAL WARNINGS

**When using an electrical appliance, basic precautions should always be followed, including the following:**

1. Your vacuum cleaner may consist of a motorized nozzle, wand, hose, and/or vacuum pod. This device contains electrical connections, electrical wiring, and moving parts that potentially present risk to the user.
2. Use only identical replacement parts.
3. Carefully observe and follow the instructions provided below to avoid improper use of the appliance. **DO NOT** use the vacuum for any purpose other than those described in this manual.
4. Before use, carefully inspect all parts for any damage. **DO NOT** use if any parts are damaged.
5. The use of an extension cord is **NOT** recommended.
6. This vacuum cleaner contains no serviceable parts.

### USE WARNINGS

7. This appliance can be used by persons with reduced physical, sensory or mental capabilities or lack of experience and knowledge if they have been given supervision or instruction concerning use of the appliance in a safe way and understand the hazards involved. Cleaning and user maintenance shall not be made by children.

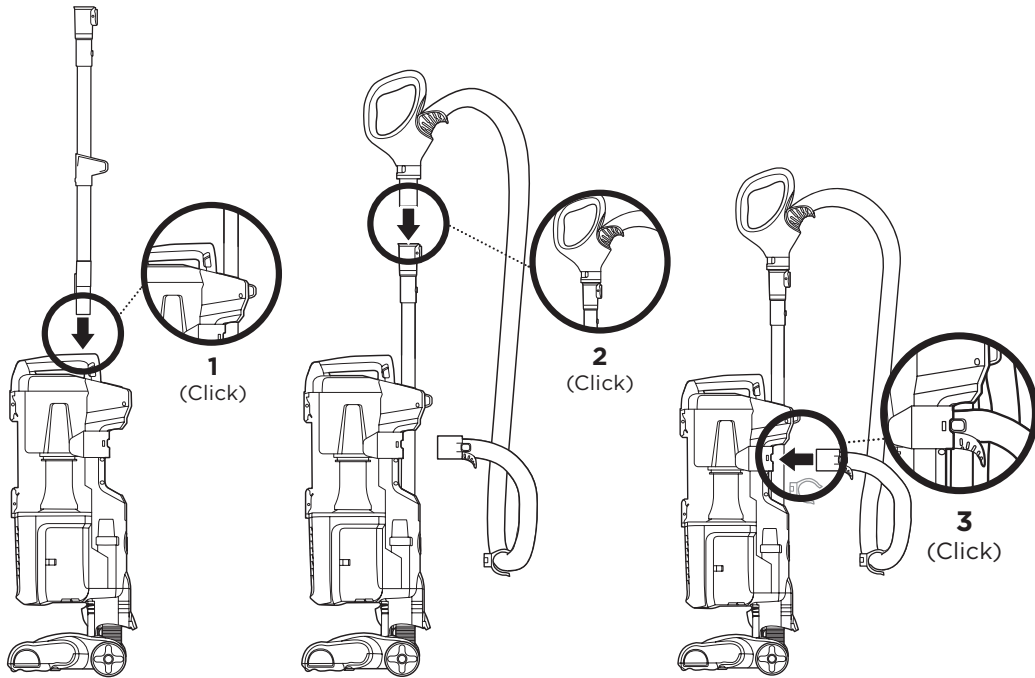
8. Keep the appliance and its cord out of reach of children. **DO NOT** allow the appliance to be used by children. **DO NOT** allow to be used as a toy. Close supervision is necessary when used near children.
9. Always turn off the vacuum cleaner before connecting or disconnecting any motorized nozzles or other accessories.
10. **DO NOT** handle plug or vacuum cleaner with wet hands.
11. **DO NOT** use without filters in place.
12. Only use Shark® branded filters and accessories.
13. **DO NOT** damage the power cord:
  - a) **DO NOT** pull or carry vacuum cleaner by the cord or use the cord as a handle.
  - b) **DO NOT** unplug by pulling on cord. Grasp the plug, not the cord.
  - c) **DO NOT** run the vacuum cleaner over the power cord, close a door on the cord, pull the cord around sharp corners, or leave the cord near heated surfaces.
14. **DO NOT** put any objects into nozzle or accessory openings. **DO NOT** use with any opening blocked; keep free of dust, lint, hair, and anything that may reduce airflow.
15. **DO NOT** use if nozzle or accessory airflow is restricted. If the air paths or the motorized floor nozzle become blocked, turn the vacuum cleaner off and unplug from electrical outlet. Remove all obstructions before you plug in and turn on the unit again.

16. Keep nozzle and all vacuum openings away from hair, face, fingers, uncovered feet, or loose clothing.
17. **DO NOT** use if vacuum cleaner is not working as it should, or has been dropped, damaged, left outdoors, or dropped into water.
18. Use extra care when cleaning on stairs.
19. **DO NOT** leave the vacuum cleaner unattended while plugged in.
20. When powered on, keep the vacuum cleaner moving over the carpet surface at all times to avoid damaging the carpet fibers.
21. **DO NOT** place vacuum cleaner on unstable surfaces such as chairs or tables.
22. Your Shark® vacuum may not be designed to stand up on its own. When taking a break from cleaning, you may need to lean it against furniture or a wall, or lay it flat on the floor. Using the vacuum for an application where the unit lacks stability may result in personal injury.
23. **DO NOT** use to pick up:
  - a) Liquids
  - b) Large objects
  - c) Hard or sharp objects (glass, nails, screws, or coins)
  - d) Large quantities of dust (drywall dust, fireplace ash, or embers). **DO NOT** use as an attachment to power tools for dust collection.
  - e) Smoking or burning objects (hot coals, cigarette butts, or matches)
  - f) Flammable or combustible materials (lighter fluid, gasoline, or kerosene)
  - g) Toxic materials (chlorine bleach, ammonia, or drain cleaner)
24. **DO NOT** use in the following areas:
  - a) Poorly lit areas
  - b) Wet or damp surfaces
  - c) Outdoor areas
  - d) Spaces that are enclosed and may contain explosive or toxic fumes or vapors (lighter fluid, gasoline, kerosene, paint, paint thinners, mothproofing substances, or flammable dust)
25. Turn off all controls before plugging in or unplugging the vacuum.
26. Unplug from electrical outlet when not in use and before any maintenance or cleaning.
27. Hand wash with water only. Washing with cleaning chemicals could damage the unit.
28. During cleaning or routine maintenance, **DO NOT** cut anything other than hair, fibers, or string wrapped around the brushroll.
29. Allow all filters to air-dry completely before replacing in the vacuum to prevent liquid from being drawn into electric parts.
30. Make sure the dust cup and all filters are in place after routine maintenance.
31. If provided, secure the power cord around the two cord hooks during storage.

**To reduce the risk of electric shock, this appliance has a polarized plug (one blade is wider than the other). This plug will fit in a polarized outlet only one way. If the plug does not fit fully in the outlet, reverse the plug. If it still does not fit, contact a qualified electrician to install the proper outlet. Do not change the plug in any way.**

## SAVE THESE INSTRUCTIONS

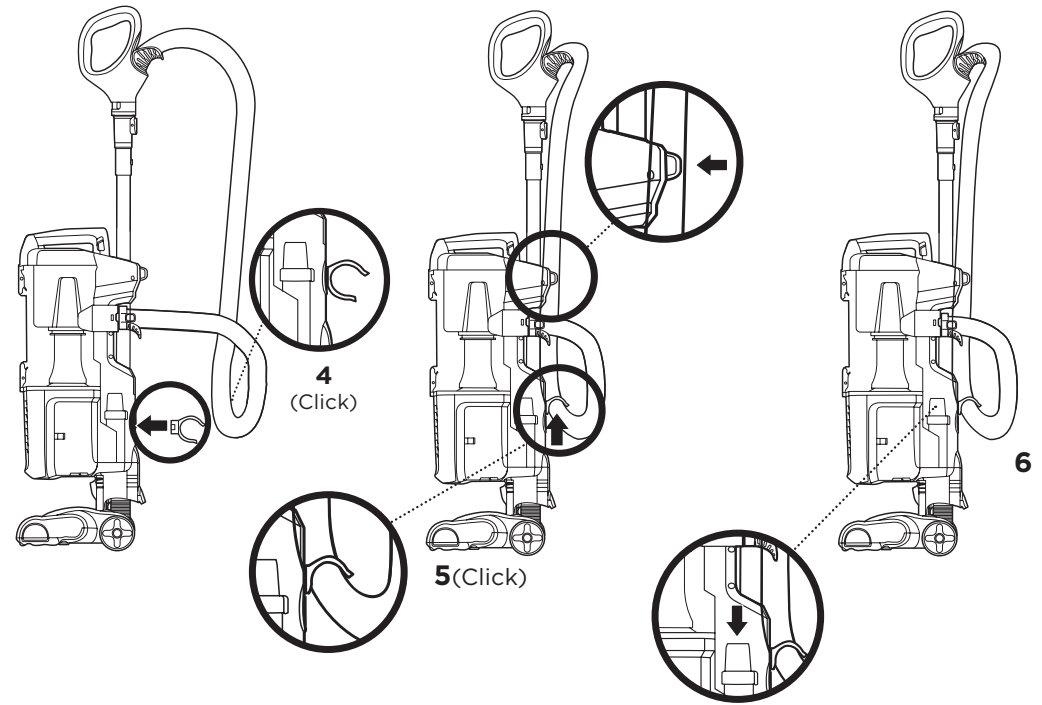
ASSEMBLY



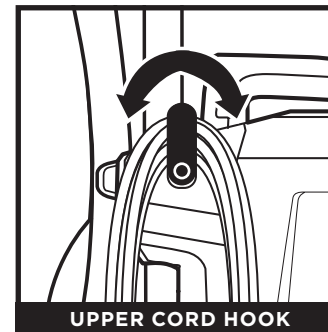
1. Insert the **Wand** into the **Pod**.
2. Insert the **Handle** into the top of the wand.
3. Connect the **Hose** to the back of the pod.
4. Insert the **C-clip** into the back of the pod.
5. Insert the hose into the C-clip and the hose holder.
6. Store **Accessories** on the **Tool Storage Posts**.

For proper operation, ensure all parts are firmly clicked into place.

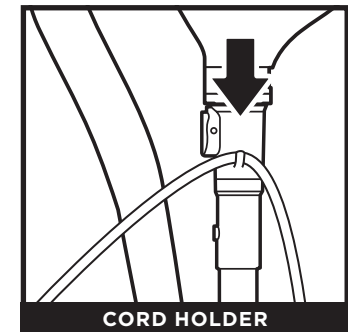
ASSEMBLY



POWER CORD



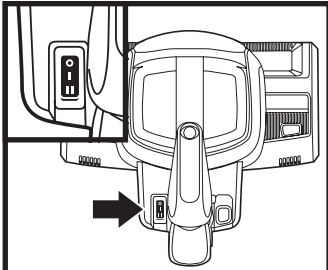
For cord access, rotate upper hook down and remove cord.



Use cord holder on the side of wand to hold cord in place while vacuuming.

## WHOLE-HOME CLEANING

### SETTINGS



**POWER/SURFACE SWITCH**

Select surface setting:

**○ Off**

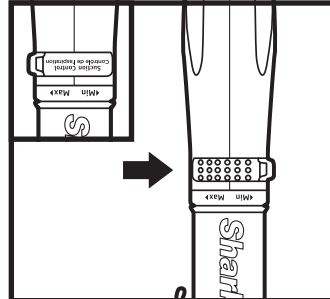
**I Hard Floor**

For bare floors and area rugs. The brushrolls will spin slowly in this mode.

**II Carpet**

For carpets. The brushrolls spin quickly in this mode.

To engage the brushrolls, turn on the power, step on the floor nozzle, and tilt the handle back.



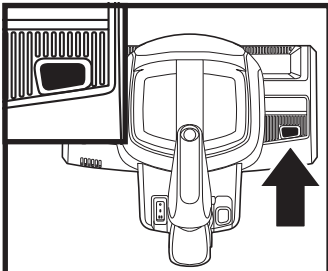
**SUCTION CONTROL**

The **Suction Control Slider** located on the handle allows you to adjust the suction depending on the floor type.

**MIN:** to reduce suction and increase maneuverability on carpets.

**MAX:** to increase suction on bare floors.

### BRUSHROLL INDICATOR LIGHT



**INDICATOR LIGHT**

#### WHAT DOES THE BRUSHROLL INDICATOR LIGHT MEAN?

**Solid Green:** The brushroll is spinning and working as intended.

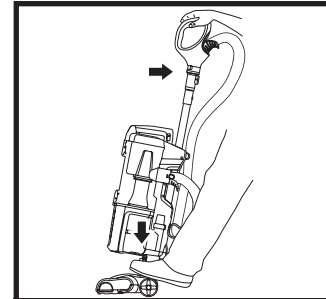
**Solid Red:** There is a jam in the brushroll area. Turn off and unplug the vacuum and remove any blockages in the nozzle.

**Flashing Red:** The motorized floor nozzle is overheating. Turn the vacuum off and wait a minimum of 60 minutes for the unit to cool down. See Troubleshooting section for more information.

**NOTE:** For deep carpet cleaning per ASTM F608 (embedded dirt in carpets), set to **MAX** suction and use setting **II, Carpet**.

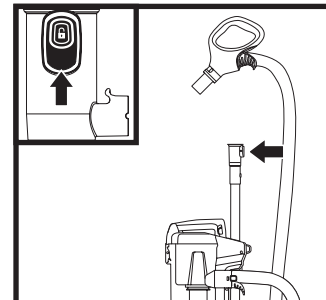
## WHOLE-HOME CLEANING

### CLEANING MODES



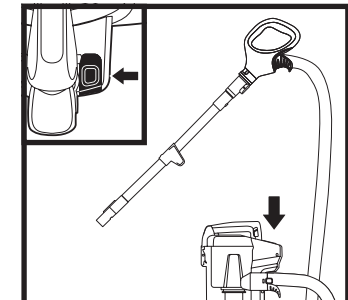
**UPRIGHT MODE**

To engage **Brushroll**, step on floor nozzle and tilt handle back firmly.



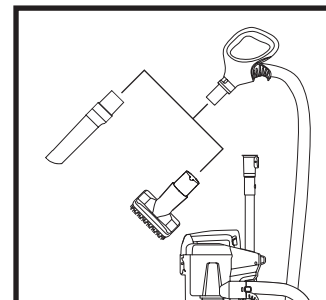
**ABOVE-FLOOR—HANDLE**

Press the **Handle Release** button and pull up on the handle to detach it from the wand.



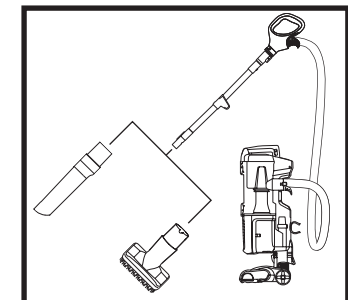
**ABOVE-FLOOR—WAND**

Press the **Wand Release** button and pull up on the wand to detach it from the pod.



**ACCESSORIES—HANDLE**

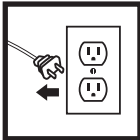
Attach a cleaning accessory to handle or wand.



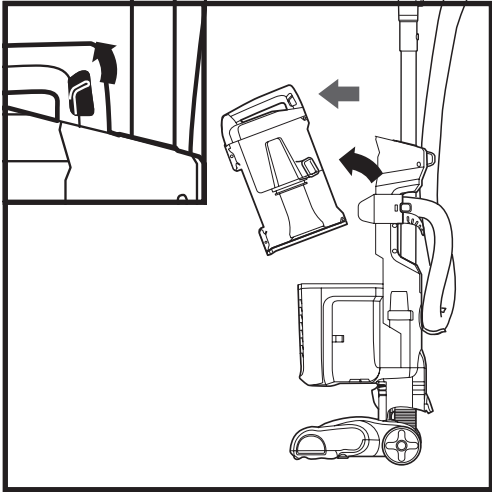
**ACCESSORIES—WAND**

**NOTE:** All accessories are compatible with both the wand and the handle.

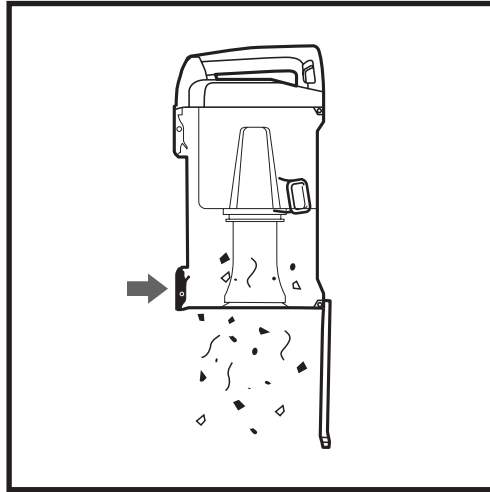
## EMPTYING THE DUST CUP



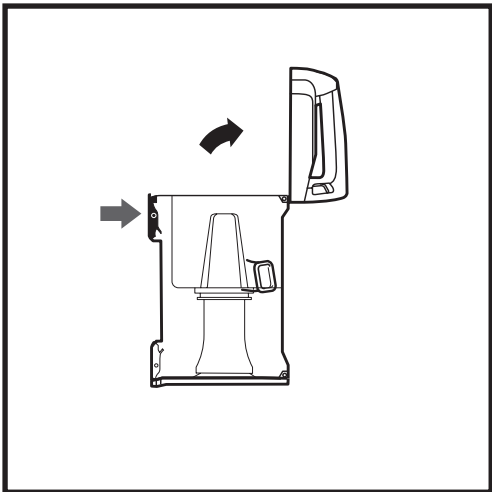
**IMPORTANT:** Unplug the power cord before performing any maintenance. Empty the dust cup each time you vacuum and periodically during cleaning, when debris in the dust cup reaches the MAX fill line.



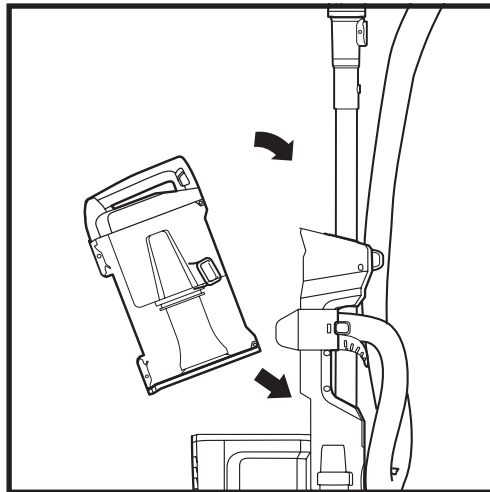
To remove **Dust Cup**, slide up the release button on the dust cup handle. Tilt dust cup forward, then lift to remove.



Press the release button to open bottom of dust cup.



To remove collected debris from **Lint Screen**, press the top release button and lift the handle to open the dust cup. Gently brush lint screen to clean.



To reinstall, place the bottom of dust cup onto the pod and then tilt until it clicks into place.

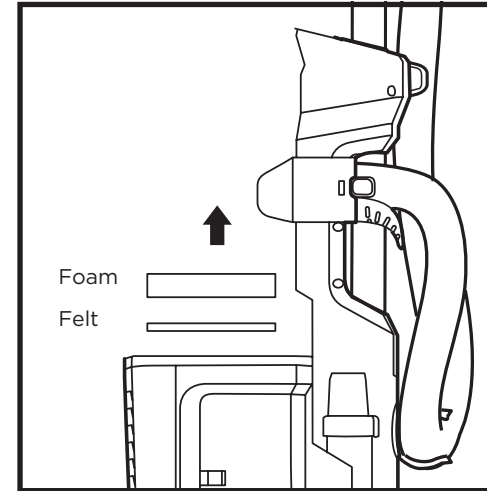
## CLEANING AND REPLACING THE FILTERS

### CLEANING FILTERS

**Regularly rinse and replace the filters to maintain your vacuum's suction power.**

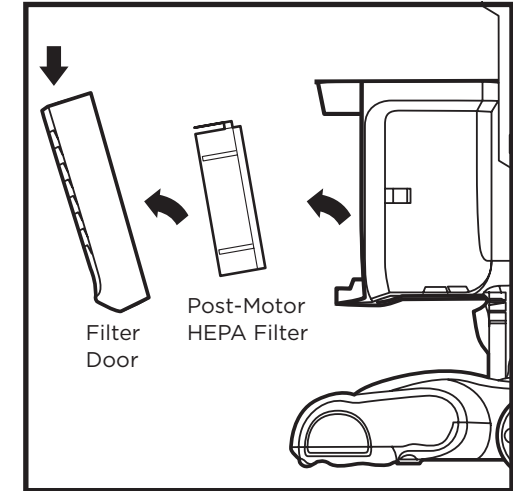
To prevent damage from cleaning chemicals, rinse filters with cold water only. Allow all filters to air-dry for at least 24 hours before reinstalling them to prevent liquid from being drawn into electronic parts.

**IMPORTANT: DO NOT** use soap when cleaning the filters.



RINSE PRE-MOTOR FILTERS EVERY MONTH

Remove **Dust Cup**, then lift out **Filters**.



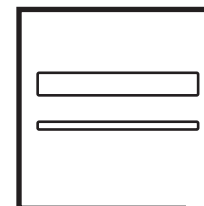
RINSE HEPA FILTER EVERY YEAR

Remove dust cup, tilt **Filter Door** and firmly pull it off. Press tab at top of **HEPA Filter** and pull out filter. To reinstall, insert HEPA filter into unit and replace the filter door.

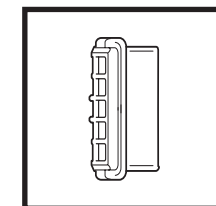
**NOTE:** The pre-motor filters should be replaced every 2.5 years. The post-motor filter should be replaced every 3 years.

### REPLACING FILTERS

Follow the previous instructions for removing filters. The **Pre-Motor Filter** should be replaced every 2.5 years. The **HEPA Filter** should be replaced every 3 years.



**Replacement Pre-Motor Foam & Felt Filter Kit**  
1239FT60

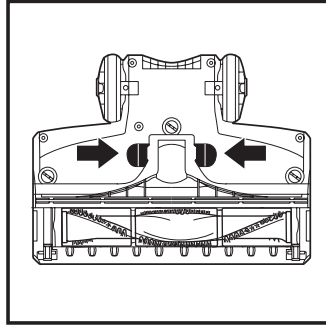
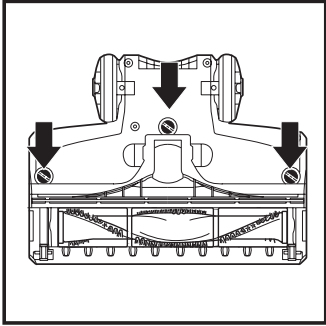


**Replacement HEPA Filter**  
1238FT60

**NOTE:** To order replacement parts and filters, visit [sharkaccessories.com](http://sharkaccessories.com).

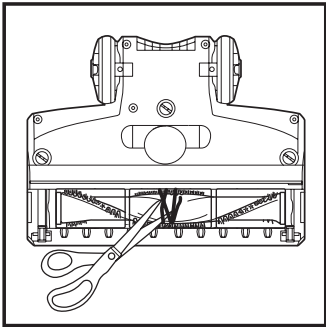
## MAINTENANCE

### CLEANING THE BRUSHROLL



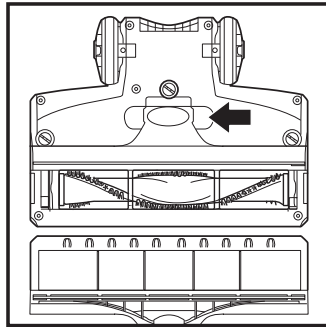
Using a coin, turn locks counterclockwise, then lift the cover to access brushroll.

#### DEBRIS WRAPPED AROUND BRUSHROLL



Clean off any debris on the bristles.

#### DEBRIS BEHIND BRUSHROLL

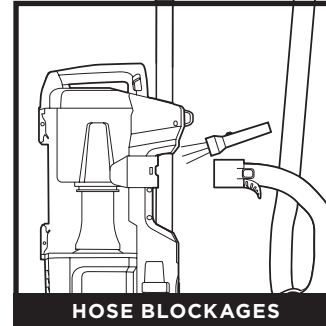


If you run over a hard or sharp object or notice a noise change while vacuuming, check for blockages or objects caught behind the brushroll.

Clear away any dust, dirt, or blockages in **Debris Intake**.

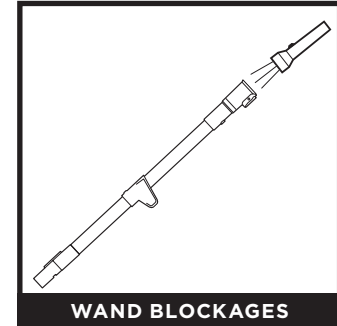
To close the cover, push down until it clicks into place. Close the locks by using a coin to turn them clockwise.

## CHECKING FOR BLOCKAGES



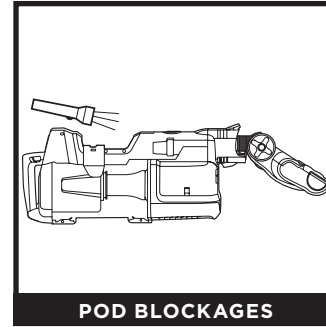
#### HOSE BLOCKAGES

Detach hose from vacuum pod, and check hose and opening on back of pod for blockages.



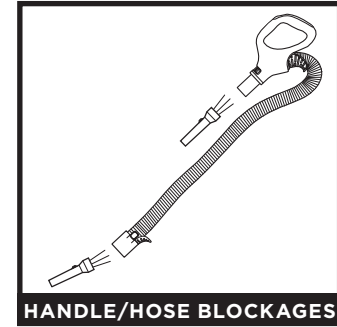
#### WAND BLOCKAGES

Detach wand from pod and handle, and check both ends for blockages.



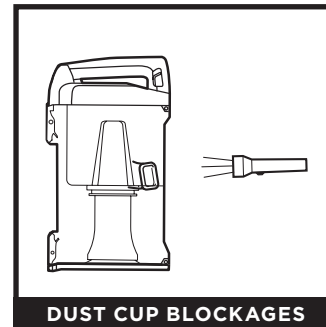
#### POD BLOCKAGES

Detach wand from pod, and check opening for blockages.



#### HANDLE/HOSE BLOCKAGES

Detach handle from wand and hose from the vacuum pod, and check openings for blockages.



#### DUST CUP BLOCKAGES

Detach dust cup from vacuum pod. Empty dust cup, remove debris from lint screen, and check for blockages.



## AVAILABLE ACCESSORIES

### A Crevice Tool

This slender tool offers extended reach to access corners, baseboards, tight spaces, and ceilings.

### B Pet Multi-Tool

A single convertible tool for cleaning tough pet messes two ways: use the stiff bristle brush to clean stuck-on debris, or take off the bristles to reveal an upholstery tool perfect for removing stubborn pet hair and large piles of debris.

### C Dusting Brush

This brush dusts and cleans delicate surfaces. Great for use on fans, blinds, lampshades, and keyboards.

### D Upholstery Tool

Picks up hair, dust, and large debris from mattresses, couches, curtains, lampshades, and other delicate upholstered fabrics.

### E Duster Crevice Tool

Two cleaning tools in one. The crevice tool gives you extended reach to clean in tight spaces, while the soft brush is ideal for dusting delicate surfaces.

### F Pet Power Brush

The turbine brush loosens and removes pet hair and debris from carpets, and powerfully deep-cleans dander out of upholstery and other surfaces.

### G Under-Appliance Wand

Clean under and behind hard-to-move appliances and furniture with this adjustable 36" tool. Flip the extension piece over to clean the underside of appliances.

### H Anti-Allergen Dust Brush

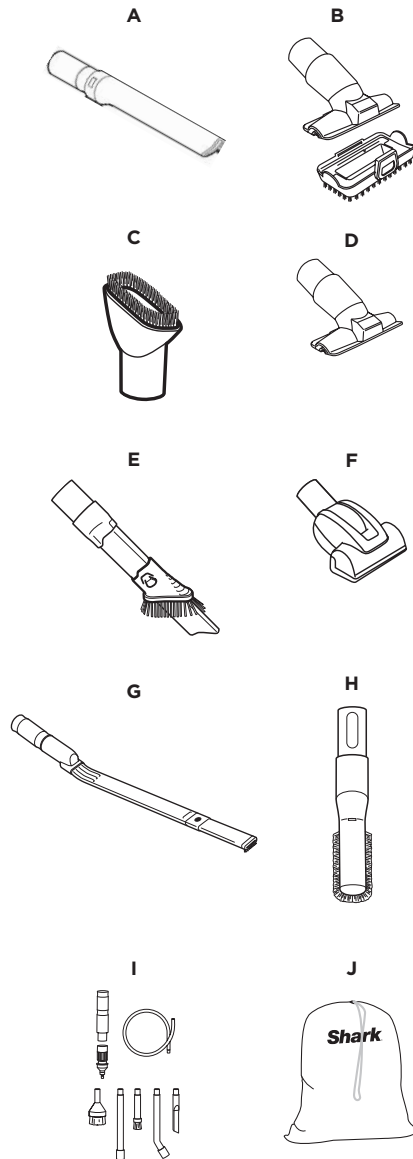
This brush features nylon fiber bristles specifically designed for removing fine dust and allergen particles from the most delicate surfaces.

### I Home & Car Detail Kit

Deep-clean your car like a professional detailer, or clean hard-to-reach areas in your home. Micro-sized tools let you clean around delicate objects and access the tightest spaces like car vents and computer keyboards.

### J Accessory Bag

This convenient accessory storage bag measures 32 cm x 70 cm and fits the Under-Appliance Wand. Smaller size available at [sharkaccessories.com](http://sharkaccessories.com).



**NOTE:** Not all accessories come with all units. For a list of the accessories included with this model, see the top inside flap of the box. To order additional accessories, visit [sharkaccessories.com](http://sharkaccessories.com).

## TROUBLESHOOTING

### Vacuum is not picking up debris. No suction or light suction.

- Check filters to see if they need cleaning. Follow instructions for rinsing and air-drying the filters before reinstalling them.
- Dust cup may be full; empty dust cup.
- Check hose, hose connections, nozzle, wand, pod, and accessories for blockages. Clear any blockages found.
- If any string, hair, or carpet fibers are wrapped around the brushroll, remove the floor nozzle cover and use scissors to carefully cut away debris. See Cleaning the Brushroll section for more information.

### Vacuum lifts area rugs.

- Make sure Power/Surface switch is set to Hard Floor (setting I).
- Rotate suction control slider to MIN.
- Suction is powerful. Take care when vacuuming area rugs or rugs with delicately sewn edges.

### Brushroll does not spin.

- If the Brushroll Indicator Light turns red, immediately turn off and unplug the vacuum. Lay the unit down and turn over so the brushroll is facing up. Using a coin, turn the 3 locks on the bottom of the nozzle to access the brushroll. Remove any hair or blockages from the nozzle. Reinstall the brushroll cover and turn all 3 locks back to the locked position.
- With the power on, recline the handle, which will automatically turn on the brushroll.

### Vacuum turns off on its own or indicator light flashes red.

If your vacuum overheats, the thermostat will automatically turn the suction motor off. Perform the following steps to restart:

1. Turn vacuum off and unplug it.
2. Empty dust cup and clean filters (see Emptying the Dust Cup and Cleaning and Replacing the Filters).
3. Check for blockages in hose, accessories, wand, nozzle, and inlet openings.
4. Allow unit to cool for a minimum of 60 minutes.
5. Plug in vacuum and restart with the Power/Surface switch.

For all other issues, please call Customer Service 1-855-520-7816.

## FIVE (5) YEAR LIMITED WARRANTY

The Five (5) Year Limited Warranty applies to purchases made from authorized retailers of **SharkNinja Operating LLC**. Warranty coverage applies to the original owner and to the original product only and is not transferable.

SharkNinja warrants that the unit shall be free from defects in material and workmanship for a period of five (5) years from the date of purchase when it is used under normal household conditions and maintained according to the requirements outlined in the Owner's Guide, subject to the following conditions and exclusions:

### What is covered by this warranty?

1. The original unit and/or non-wearable parts deemed defective, in SharkNinja's sole discretion, will be repaired or replaced up to five (5) years from the original purchase date.
2. In the event a replacement unit is issued, the warranty coverage ends six (6) months following the receipt date of the replacement unit or the remainder of the existing warranty, whichever is later. SharkNinja reserves the right to replace the unit with one of equal or greater value.

### What is not covered by this warranty?

1. Normal wear and tear of wearable parts (such as foam filters, HEPA filters, pads, etc.), which require regular maintenance and/or replacement to ensure the proper functioning of your unit, are not covered by this warranty. Replacement parts are available for purchase at **sharkaccessories.com**.
2. Any unit that has been tampered with or used for commercial purposes.
3. Damage caused by misuse (e.g., vacuuming up water or other liquids), abuse, negligent handling, failure to perform required maintenance (e.g., not cleaning the filters, not removing debris from the brushroll), or damage due to mishandling in transit.
4. Consequential and incidental damages.
5. Defects caused by repair persons not authorized by SharkNinja. These defects include damages caused in the process of shipping, altering, or repairing the SharkNinja product (or any of its parts) when the repair is performed by a repair person not authorized by SharkNinja.
6. Products purchased, used, or operated outside North America.

### How to get service

If your appliance fails to operate properly while in use under normal household conditions within the warranty period, visit **sharkclean.ca/support** for product care and maintenance self-help. Our Customer Service Specialists are also available at **1-855-520-7816** to assist with product support and warranty service options, including the possibility of upgrading to our VIP warranty service options for select product categories. So we may better assist you, please register your product online at [registeryourshark.com](http://registeryourshark.com) and have the product on hand when you call.

SharkNinja will cover the cost for the customer to send in the unit to us for repair or replacement. A fee of \$25.95 (subject to change) will be charged when SharkNinja ships the repaired or replacement unit.



### How to initiate a warranty claim

You must call **1-855-520-7816** to initiate a warranty claim. You will need the receipt as proof of purchase. We also ask that you register your product online at [registeryourshark.com](http://registeryourshark.com) and have the product on hand when you call, so we may better assist you. A Customer Service Specialist will provide you with return and packing instruction information.

### How state law applies

This warranty gives you specific legal rights, and you also may have other rights that vary from state to state. Some states do not permit the exclusion or limitation of incidental or consequential damages, so the above may not apply to you.

## REGISTER YOUR PURCHASE

-  [registeryourshark.com](http://registeryourshark.com)
-  Scan QR code using mobile device



Benefits of registering your product and creating an account:

- Get easier, faster product support and access to warranty information
- Access troubleshooting and product care instructions
- Be among the first to know about exclusive product promotions

**TIP:** You can find the model and serial numbers on the QR code label on the bottom of the back of the vacuum pod.

## RECORD THIS INFORMATION

Model Number: \_\_\_\_\_

Serial Number: \_\_\_\_\_

Date of Purchase: \_\_\_\_\_  
(Keep receipt)

Store of Purchase: \_\_\_\_\_

## TECHNICAL SPECIFICATIONS

Voltage: 120V~ 60Hz

Watts: 700W



# IMPORTANTES CONSIGNES DE SÉCURITÉ

POUR USAGE DOMESTIQUE SEULEMENT • VEUILLEZ LIRE LES DIRECTIVES ATTENTIVEMENT AVANT L'UTILISATION

Si la fiche d'alimentation ne s'insère pas à fond dans la prise de courant, inversez alors le sens de la fiche. Si elle ne s'insère toujours pas, communiquez avec un électricien qualifié. **NE FORCEZ PAS** pour insérer la fiche dans la prise et ne tentez pas de la modifier.

## ⚠ AVERTISSEMENT

Afin de réduire les risques d'incendie, de décharges électriques, de blessure ou de dommage matériel :

### AVERTISSEMENTS GÉNÉRAUX

**Lors de l'utilisation d'un appareil électrique, des précautions de base doivent toujours être suivies, y compris les suivantes :**

1. Votre aspirateur pourrait être composé d'une buse motorisée, d'un tube, d'un tuyau ou d'un réceptacle. Cet appareil comporte des raccordements électriques, du filage électrique et des pièces amovibles pouvant exposer l'utilisateur à certains risques.
2. Utilisez uniquement des pièces de rechange identiques.
3. Respectez et suivez attentivement les instructions ci-dessous afin d'éviter tout usage inadéquat de l'appareil. **N'UTILISEZ PAS** l'aspirateur pour un usage autre que ceux décrits dans le présent manuel.
4. Avant d'utiliser l'appareil, inspectez soigneusement toutes les pièces afin de déceler tout dommage. **NE L'UTILISEZ PAS** s'il est endommagé.
5. L'utilisation d'une rallonge électrique **N'EST PAS** recommandée.
6. Cet aspirateur ne renferme aucune pièce qui peut être réparée.

### AVERTISSEMENTS CONCERNANT L'UTILISATION

7. Cet appareil peut être utilisé par des personnes dont les capacités physiques, sensorielles ou mentales sont réduites ou qui manquent d'expérience et de connaissances seulement si elles ont été supervisées ou instruites par rapport à l'utilisation sécuritaire de l'appareil et si elles comprennent les dangers possibles. Les enfants ne peuvent pas nettoyer ni entretenir l'appareil.

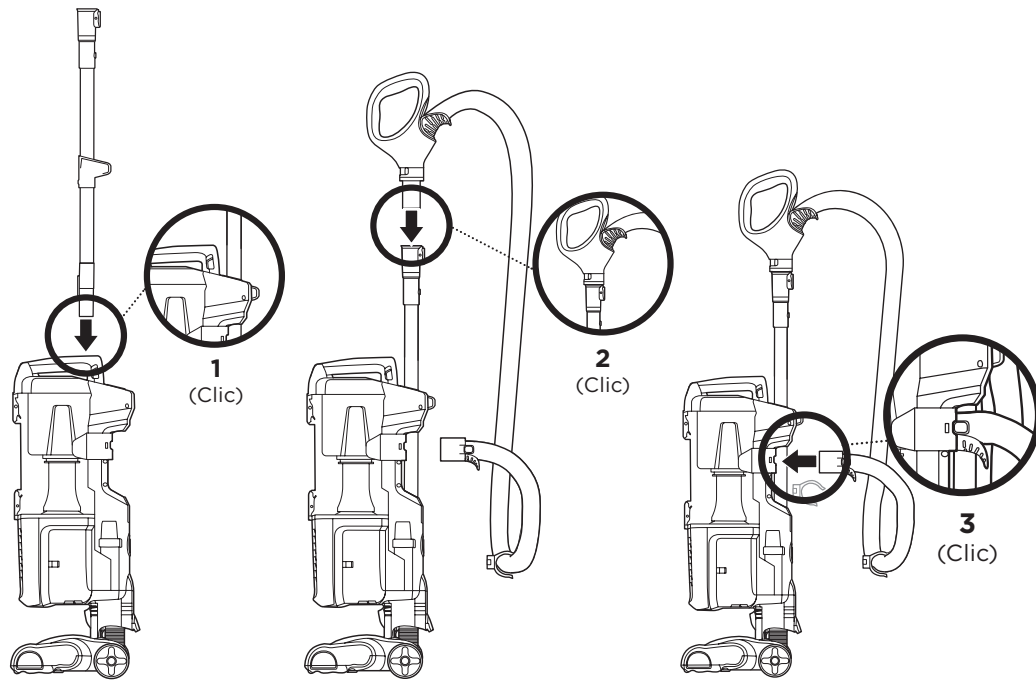
8. Gardez l'appareil et son câble hors de la portée des enfants. **NE LAISSEZ PAS** les enfants se servir de l'appareil. **NE PERMETTEZ PAS** de l'utiliser comme un jouet. Une surveillance étroite est nécessaire lorsque l'appareil est utilisé en présence d'enfants.
9. Mettez toujours l'aspirateur hors tension avant d'attacher ou de détacher la buse motorisée ou un autre accessoire.
10. **NE MANIPULEZ PAS** la fiche ou l'aspirateur avec les mains mouillées.
11. **N'UTILISEZ PAS** l'appareil si les filtres ne sont pas en place.
12. Utilisez uniquement des filtres et des accessoires de marque Shark®.
13. **PRENEZ SOIN DE NE PAS ENDOMMAGER** le cordon d'alimentation :
  - a) **N'UTILISEZ PAS** le cordon d'alimentation comme poignée pour porter ou pour tirer l'aspirateur.
  - b) **NE DÉBRANCHEZ PAS** l'appareil en tirant le cordon d'alimentation. Agrippez la fiche et non le cordon.
  - c) **NE PASSEZ PAS** l'aspirateur par-dessus le cordon d'alimentation, ne fermez pas une porte sur le cordon, ne tirez pas le cordon sur des coins pointus et ne laissez pas le cordon près de surfaces chaudes.
14. **ÉVITEZ** d'insérer des objets dans les ouvertures de la buse ou de tout autre accessoire. **N'UTILISEZ PAS** l'appareil si une ouverture est obstruée. Veillez à ce que les ouvertures ne soient pas bloquées par de la poussière, de la peluche, des cheveux ou tout autre élément qui pourrait gêner la circulation de l'air.

15. **N'UTILISEZ PAS** l'appareil si le flux d'air de la buse ou de l'accessoire est obstrué. Si la buse de plancher motorisée ou les conduits d'air deviennent obstrués, éteignez l'aspirateur et débranchez-le de la prise de courant. Retirez toute obstruction avant de remettre l'appareil en marche.
  16. Tenez la buse et tous les orifices de l'aspirateur éloignés des cheveux, du visage, des doigts, des pieds déchaussés ou des vêtements amples.
  17. **N'UTILISEZ PAS** l'aspirateur s'il ne fonctionne pas comme prévu, ou s'il a été échappé sur le sol, endommagé, laissé à l'extérieur ou immergé.
  18. Soyez extrêmement prudent lorsque vous nettoyez les escaliers.
  19. **NE LAISSEZ PAS** l'aspirateur sans surveillance lorsqu'il est branché.
  20. Lorsqu'il est en marche, gardez l'aspirateur en mouvement sur le tapis en tout temps, afin d'éviter d'endommager les fibres du tapis.
  21. **NE PLACEZ PAS** l'aspirateur sur des surfaces instables comme des chaises ou des tables.
  22. Votre aspirateur Shark® pourrait ne pas avoir été conçu pour se maintenir de lui-même en position verticale. Lorsque vous prenez une pause, vous devez peut-être l'appuyer contre un meuble ou un mur, ou le coucher sur le plancher. Toute utilisation où l'aspirateur serait dans une position instable pourrait entraîner des blessures corporelles.
  23. **N'UTILISEZ PAS** l'appareil pour aspirer :
    - a) Des liquides
    - b) Des objets de grande taille
    - c) Des objets durs ou tranchants (verre, clous, vis ou pièces de monnaie)
    - d) De grandes quantités de poussière (poussière de cloison sèche, cendres ou braises de foyer). **N'UTILISEZ PAS** l'aspirateur comme accessoire pour un outil électrique pour l'aspiration de la poussière.
  - e) Des objets fumants ou brûlants (charbons ardents, mégots de cigarettes ou allumettes)
  - f) Des matériaux inflammables ou combustibles (essence à briquet, essence ou kérosène)
  - g) Des matières toxiques (eau de Javel, ammoniac ou produit débouchant).
24. **N'UTILISEZ PAS** l'appareil dans les endroits suivants :
    - a) Endroits faiblement éclairés
    - b) Surfaces humides ou mouillées
    - c) À l'extérieur
    - d) Dans des endroits fermés pouvant contenir des matières explosives, ou des fumées ou vapeurs toxiques (essence à briquet, essence, kérosène, peinture, diluants à peinture, produits de traitement antimite ou poussières inflammables).
  25. Fermez toutes les commandes avant de brancher ou de débrancher l'aspirateur.
  26. Débranchez l'appareil de la prise murale lorsqu'il n'est pas en usage, et avant d'en faire l'entretien ou de le nettoyer.
  27. Lavez à la main, avec de l'eau seulement. L'utilisation de produits chimiques de nettoyage pourrait endommager l'appareil.
  28. Pendant le nettoyage ou l'entretien, **NE COUPEZ AUCUNE** matière autre que des cheveux, des fibres ou de la ficelle enroulés autour de la brosse rotative.
  29. Laissez tous les filtres sécher complètement avant de les remettre dans l'aspirateur, afin d'éviter que du liquide ne soit aspiré dans les composants électriques.
  30. Après avoir effectué l'entretien de routine, assurez-vous que le récipient à poussière et tous les filtres sont en place.
  31. Le cas échéant, fixez le cordon d'alimentation autour des deux crochets avant de ranger l'appareil.

**Afin de réduire le risque de décharges électriques, cet appareil est muni d'une fiche d'alimentation polarisée (une broche étant plus large que l'autre). Cette fiche d'alimentation s'insère dans une prise de courant polarisée dans un seul sens. Si la fiche ne s'insère pas entièrement dans la prise, inversez-la. Si elle ne s'insère toujours pas, communiquez avec un électricien qualifié pour faire installer une prise de courant appropriée. Ne modifiez pas la fiche d'alimentation, de quelque façon que ce soit.**

## CONSERVEZ CES INSTRUCTIONS

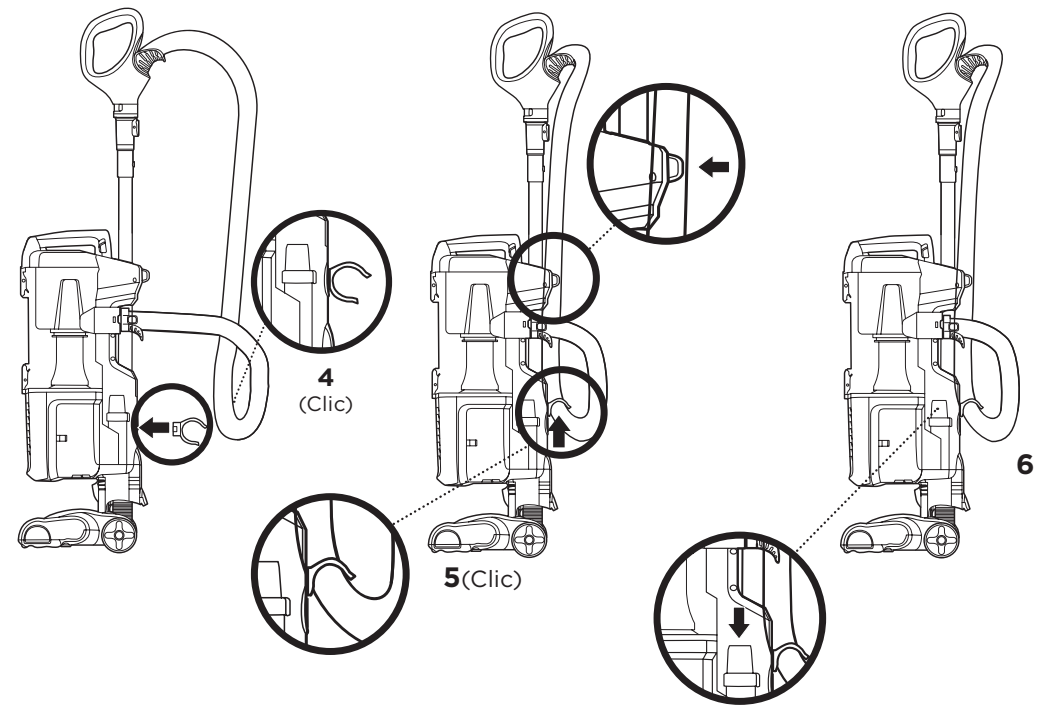
## ASSEMBLAGE



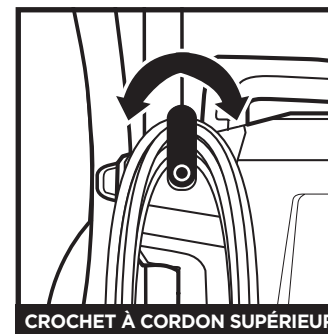
1. Insérez le tube dans le réceptacle.
2. Insérez la poignée dans la partie supérieure du tube.
3. Connectez le tuyau à l'arrière du réceptacle.
4. Insérez la pince en forme de C à l'arrière du réceptacle.
5. Insérez le tuyau dans la pince en forme de C et dans le support à tuyau.
6. Rangez les accessoires sur les poteaux de rangement d'outils.

Afin que l'appareil fonctionne correctement, assurez-vous que toutes les pièces sont maintenues fermement en place.

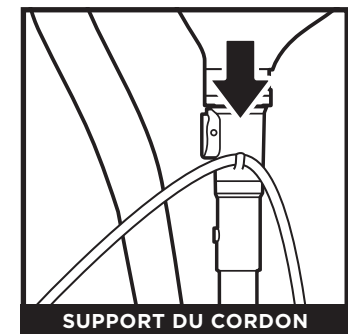
## ASSEMBLAGE



## CORDON D'ALIMENTATION

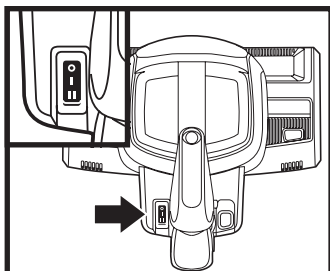


Pour accéder rapidement au cordon, faites pivoter le crochet supérieur vers le bas et retirez le cordon.



Utilisez le support du cordon situé sur le côté du tube pour maintenir le cordon en place pendant que vous passez l'aspirateur.

RÉGLAGES

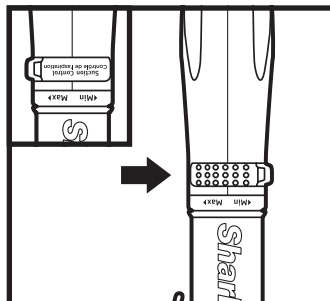


**BOUTON POWER/SURFACE**  
(mise en marche/surface)

Sélectionnez la mise en place de la surface :

- Off (arrêt)**
- I Hard Floor (plancher)**  
Pour les planchers et les petits tapis. Dans ce mode, les brosses rotatives tournent lentement.
- II Carpet (tapis)**  
Pour les tapis. Dans ce mode, les brosses rotatives tournent rapidement.

Pour activer les brosses rotatives, mettez l'appareil en marche, puis appuyez sur la buse de plancher et inclinez la poignée vers l'arrière.



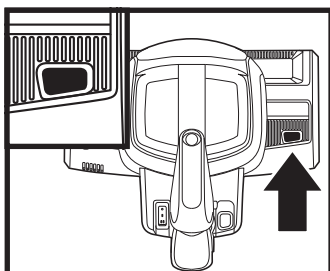
**SÉLECTEUR DE PUISSANCE D'ASPIRATION**

La **Glissière du sélecteur de puissance d'aspiration**, située sur le dessus de la poignée, vous permet d'ajuster l'aspiration en fonction du type de plancher.

**MIN (minimum)** : Pour réduire l'aspiration et augmenter la maniabilité sur les tapis.

**MAX (maximum)** : Pour augmenter l'aspiration sur les planchers.

VOYANT INDICATEUR DE LA BROSE ROTATIVE



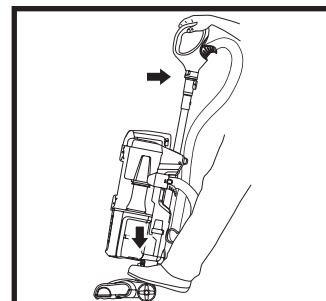
**VOYANT INDICATEUR**

**QU'INDIQUENT LES VOYANTS INDICATEURS DE LA BROSE ROTATIVE?**

- Vert fixe** : La brosse rotative est en marche et fonctionne comme prévu.
- Rouge fixe** : Une obstruction a été détectée dans la zone de la brosse rotative. Éteignez l'aspirateur, débranchez-le et retirez l'élément qui cause l'obstruction dans la buse.
- Rouge clignotant** : La buse de plancher motorisée surchauffe. Éteignez l'aspirateur et laissez l'unité refroidir pendant au moins 60 minutes. Consultez la section « Dépannage » pour obtenir des instructions supplémentaires.

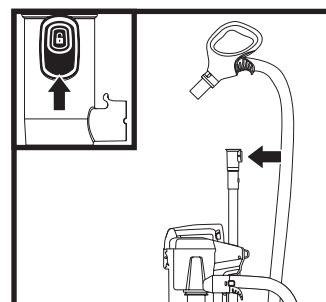
**REMARQUE** : Pour un nettoyage de tapis en profondeur selon la norme ASTM F 608 (saletés incrustées dans les tapis), veuillez choisir le niveau d'aspiration **MAX** (maximum) et le réglage **II, Carpet** (tapis).

MODES DE NETTOYAGE



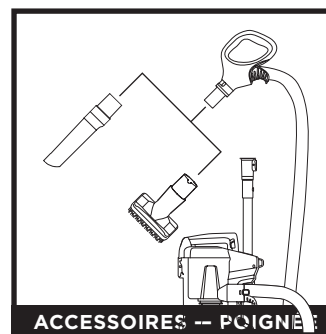
**MODE VERTICAL**

Placez le pied sur la buse de plancher et inclinez la poignée vers l'arrière pour activer la **Brosse rotative**.



**AU-DESSUS DU SOL - POIGNÉE**

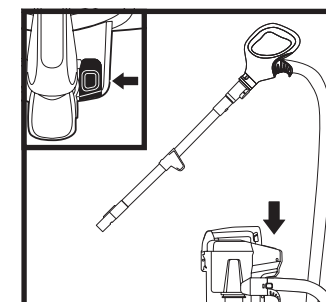
Appuyez sur le bouton **Handle Release** (dégagement de la poignée) et tirez sur la poignée afin de la détacher du tube.



**ACCESSOIRES -- POIGNÉE**

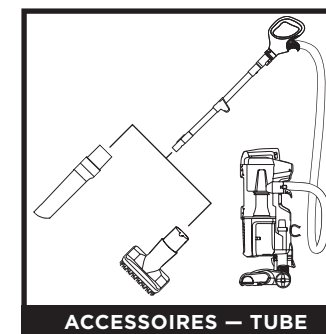
Fixez un accessoire de nettoyage à la poignée ou au tube.

**REMARQUE** : Tous les accessoires sont compatibles avec le tube et la poignée.



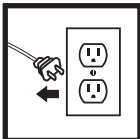
**AU-DESSUS DU SOL - TUBE**

Appuyez sur le bouton **Wand Release** (dégagement du tube) et tirez sur le tube afin de le détacher du réceptacle.

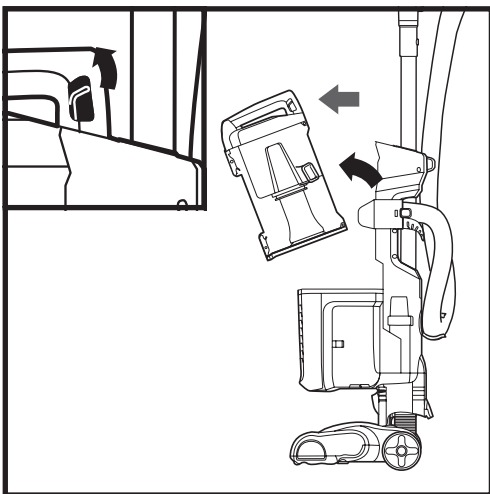


**ACCESSOIRES -- TUBE**

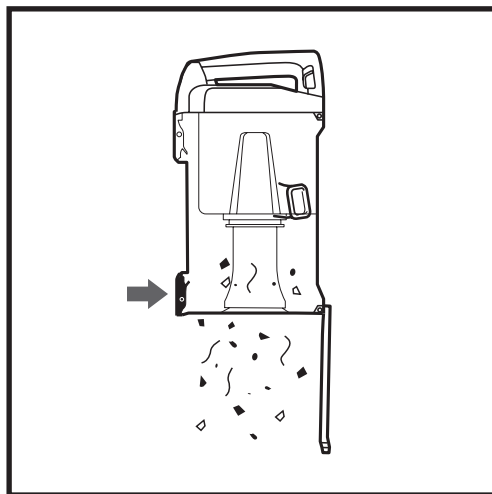
## VIDANGE DU RÉCIPIENT À POUSSIÈRE



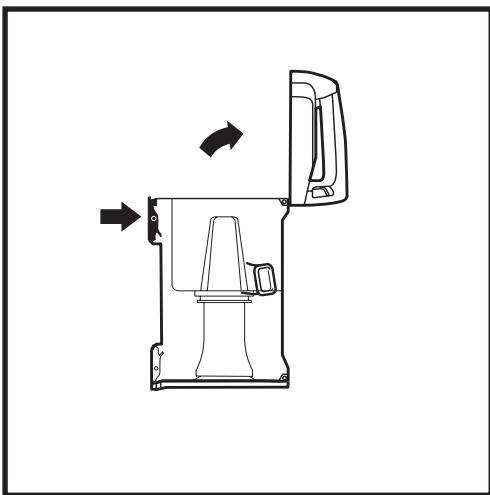
**IMPORTANT :** Débranchez le cordon d'alimentation avant d'effectuer tout entretien. Videz le récipient à poussière chaque fois que vous passez l'aspirateur et périodiquement pendant le nettoyage, lorsque les débris dans le récipient atteignent la ligne MAX fill (remplissage maximal).



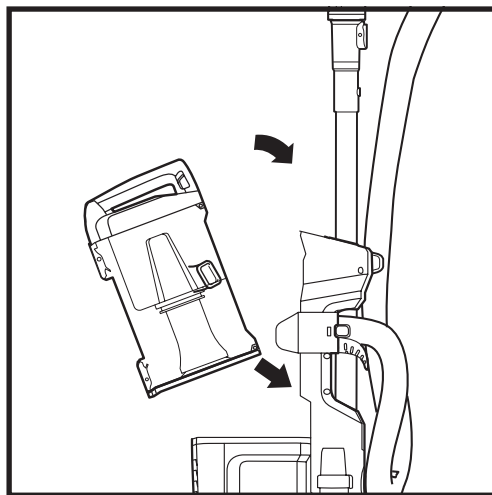
Pour retirer le **Récipient à poussière**, tirez sur le bouton Dust Cup Release (déverrouillage du récipient à poussière) situé au-dessus de la poignée du récipient à poussière. Inclinez le récipient à poussière vers l'avant, puis soulevez-le afin de le retirer.



Appuyez sur le bouton de dégagement afin d'ouvrir le bas du récipient à poussière.



Afin de retirer les débris ramassés du **Filtre à charpie**, appuyez sur le bouton de dégagement du dessus et tirez la poignée pour ouvrir le récipient à poussière. Brossez délicatement le filtre à charpie pour le nettoyer.



Afin de réinstaller le récipient à poussière, placez la partie inférieure sur le réceptacle, puis inclinez le récipient à poussière jusqu'à ce que vous entendiez un dé clic.

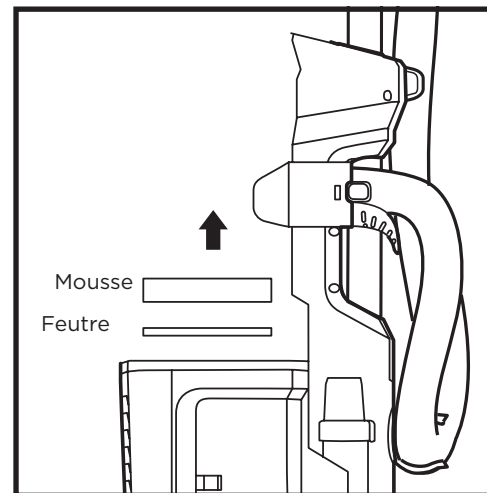
## NETTOYAGE ET REMPLACEMENT DES FILTRES

### NETTOYAGE DES FILTRES

**Rincez régulièrement et remplacez les filtres afin de maintenir la puissance d'aspiration de votre aspirateur.**

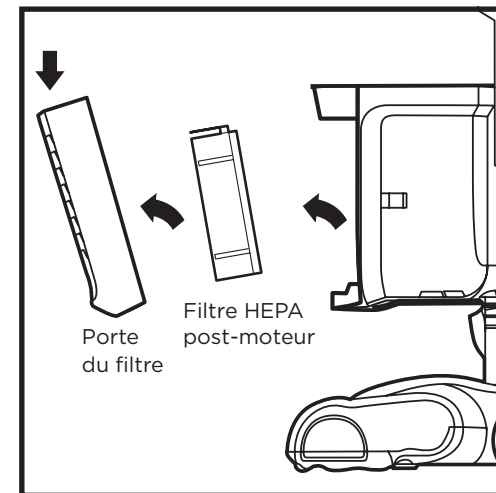
Afin de rincer les filtres, utilisez de l'eau froide seulement pour éviter les dommages causés par les produits chimiques de nettoyage. Laissez tous les filtres sécher entièrement au moins 24 heures avant de les remettre dans l'aspirateur pour éviter que l'eau ne soit aspirée dans les composants électroniques.

**IMPORTANT :** N'UTILISEZ PAS de savon pour nettoyer les filtres.



#### RINCEZ LES FILTRES PRÉ-MOTEUR TOUS LES MOIS

Retirez le **Récipient à poussière**, puis soulevez les **Filtres**.



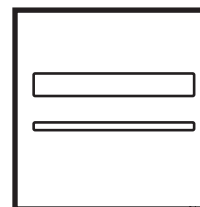
#### RINCEZ LE FILTRE HEPA TOUS LES ANS

Inclinez le **Porte du filtre** et tirez-la. Appuyez sur la languette au haut du **Filtre HEPA** et retirez le filtre. Afin de le réinstaller, insérez le filtre HEPA dans l'appareil et replacez la porte du filtre.

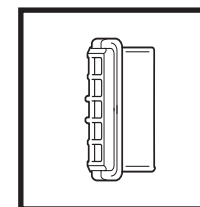
**REMARQUE :** Les filtres pré-moteur devraient être remplacés tous les 2 ans et demi. Le filtre hepa post-moteur devrait être remplacé tous les 3 ans.

### REEMPLACEMENT DES FILTRES

Suivez les instructions précédentes afin de retirer les filtres. Le filtre pré-moteur devrait être remplacé tous les 2,5 ans. Le filtre HEPA devrait être remplacé tous les 3 ans.



**Trousse de remplacement du filtre pré-moteur en mousse et en feutre**  
1239FT60

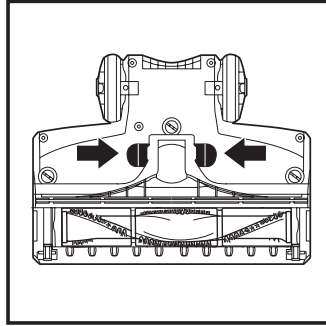
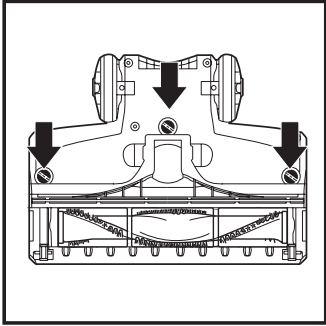


**Filtre HEPA deremplacement**  
1238FT60

**REMARQUE :** Pour commander des pièces de rechange ou des filtres, visitez le [sharkaccessories.com](http://sharkaccessories.com).

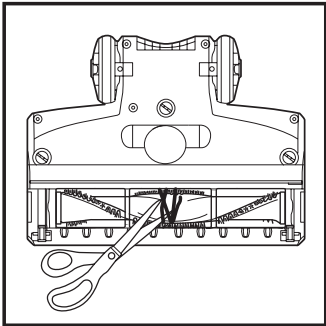
## ENTRETIEN

### NETTOYAGE DE LA BROSE ROTATIVE



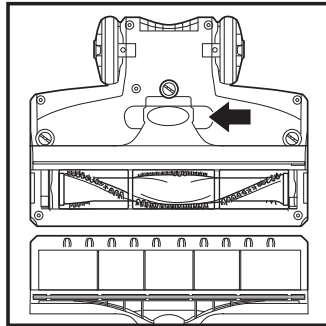
Au moyen d'une pièce de monnaie, faites tourner les verrous dans le sens antihoraire, puis soulevez le couvercle afin d'accéder à la brosse rotative.

#### DÉBRIS ENVELOPPÉS AUTOUR DE LA BROSE ROTATIVE



Enlevez tous les débris des poils.

#### DÉBRIS DERRIÈRE LA BROSE ROTATIVE

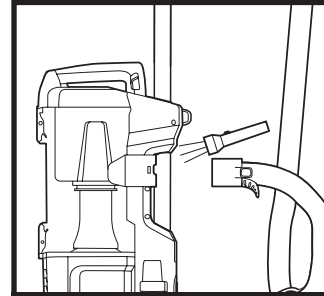


Si vous passez l'aspirateur sur un objet dur ou tranchant ou si vous remarquez un changement de bruit pendant que vous passez l'aspirateur, vérifiez la présence d'obstructions ou d'objets coincés à l'arrière de la brosse rotative.

Dégagez toute poussière, saleté ou obstructions dans l'**Absorbeur de débris**.

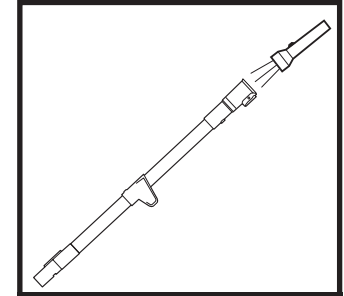
Pour fermer le couvercle, appuyez dessus jusqu'à ce qu'il s'enclenche. Fermez les verrous au moyen d'une pièce de monnaie pour les faire tourner dans le sens horaire.

## VÉRIFICATION DE LA PRÉSENCE D'OBSTRUCTIONS



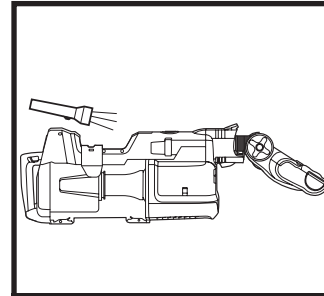
#### OBSTRUCTIONS DU TUYAU

Détachez le tuyau du réceptacle de l'aspirateur et vérifiez le tuyau et l'ouverture du réceptacle pour voir s'il y a des obstructions.



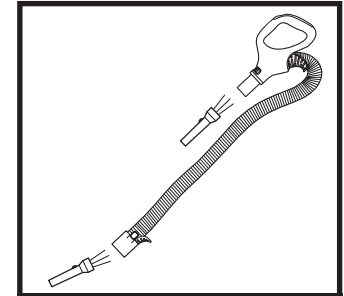
#### OBSTRUCTIONS DU TUBE

Détachez le tube du réceptacle et de la poignée et vérifiez s'il y a des obstructions des deux côtés.



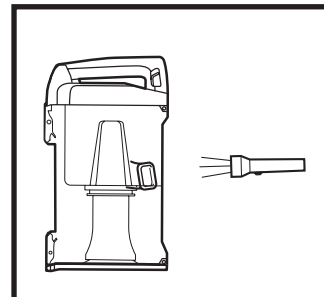
#### OBSTRUCTIONS DU RÉCEPTACLE

Détachez le tube du réceptacle et vérifiez si l'ouverture n'est pas obstruée.



#### OBSTRUCTIONS DE LA POIGNÉE/TUYAU

Détachez la poignée du tube et le tuyau du réceptacle de l'aspirateur afin de vérifier s'il y a des obstructions aux extrémités.



#### OBSTRUCTIONS DU RÉCIPIENT À POUSSIÈRE

Détachez le récipient à poussière du réceptacle de l'aspirateur. Videz le récipient à poussière, enlevez les débris du filtre à charpie et vérifiez s'il y a des obstructions.



## ACCESSOIRES DISPONIBLES

### A Suceur plat

Utilisez le suceur plat mince pour nettoyer les coins et les espaces restreints ou pour atteindre les plinthes et les plafonds.

### B Outil multifonctions pour enlever les poils d'animaux

Un outil unique convertible pour nettoyer les poils d'animaux de deux manières : Utilisez une brosse à poils en caoutchouc pour enlever les poils des tapis; Ou retirez la brosse à poils pour révéler un outil à meubles parfait pour nettoyer les canapés et la literie.

### C Brosse à épousseter

Enlève les cheveux, la poussière et les gros débris des matelas, des canapés, des rideaux et des autres surfaces délicates de vos meubles.

### D Outil à meubles

Enlève les poils d'animaux, la poussière et les gros débris des matelas, des canapés, des rideaux, des abat-jours et des autres surfaces délicates de vos meubles.

### E Outil suceur plat avec brosse à épousseter

Deux accessoires de nettoyage en un. Le suceur plat vous permet de mieux atteindre des espaces restreints à nettoyer, tandis que la brosse douce à épousseter est parfaite pour nettoyer des surfaces délicates.

### F Brosse motorisée pour les poils d'animaux

Conçue pour enlever les poils d'animaux et la saleté incrustée sur les marches recouvertes de tapis et les meubles en tissu.

### G Tube d'extension pour l'espace sous les meubles

Utilisez cet outil réglable de 91,4 cm (36 po) pour nettoyer en dessous et à l'arrière des meubles et des appareils électroménagers difficiles à déplacer. Retournez l'accessoire de rallonge pour nettoyer en dessous des appareils électroménagers.

### H Balais à poussière anti-allergène

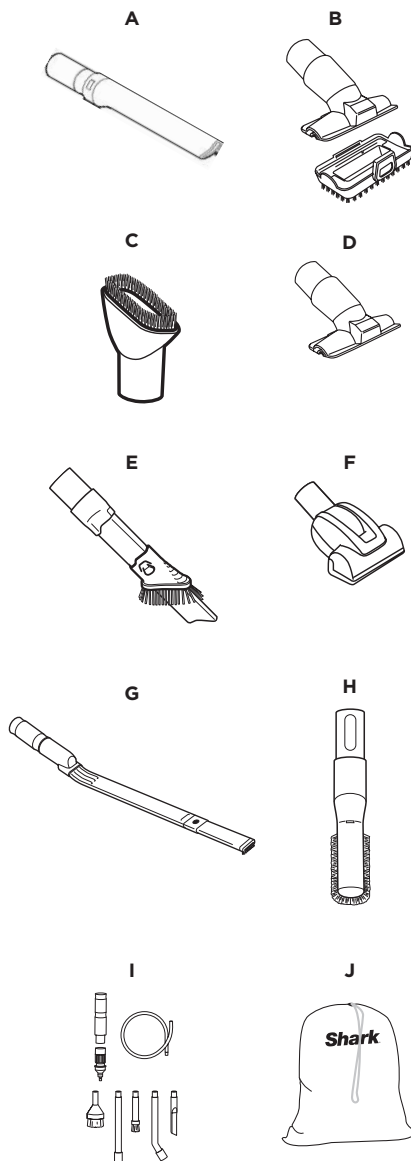
Cette brosse comporte des soies de fibres de nylon spécialement conçues pour enlever la poussière fine et les particules allergènes des surfaces les plus délicates.

### I Ensemble pour maison et voiture

Nettoyez votre voiture en profondeur, comme un détaillant professionnel, ou nettoyez les zones difficiles à atteindre de votre maison. Des micro-outils vous permettent de nettoyer autour d'objets délicats et d'accéder aux espaces les plus exigus, comme les bouches d'aération de voiture et les claviers d'ordinateur. Pochette à fermeture à glissière et feuille d'instructions incluses.

### J Grand sac d'accessoires

Ce pratique sac de rangement pour accessoires mesure 32 cm x 70 cm et peut contenir le tube d'extension pour l'espace sous les meubles. Un plus petit format est disponible sur [sharkaccessories.com](http://sharkaccessories.com).



## DÉPANNAGE

### L'aspirateur ne ramasse pas la poussière. Aucune aspiration ou aspiration faible.

- Vérifiez les filtres pour voir s'ils doivent être nettoyés. Suivez les instructions de rinçage et de séchage des filtres avant de les réinsérer dans l'aspirateur.
- Le récipient à poussière pourrait être plein; videz-le, le cas échéant.
- Vérifiez le tuyau, les raccords du tuyau, la buse, le tube, le réceptacle et les accessoires pour déterminer s'ils sont obstrués. Éliminez toute obstruction, le cas échéant.
- Si des ficelles, des poils ou des fibres de tapis restent enveloppés autour de la brosse rotative, retirez la buse de plancher, coupez délicatement les débris avec des ciseaux et retirez-les de la brosse rotative. Vérifiez la section Nettoyage de la brosse rotative pour plus d'informations.

### L'aspirateur soulève les carpettes.

- Assurez-vous que le bouton Power/Surface (mise en marche/surface) est réglé à Hard Floor (plancher) (réglage I).
- Tournez le sélecteur de puissance d'aspiration coulissant à la position MIN (minimum).
- La succion est puissante. Faites attention lorsque vous passez l'aspirateur sur les carpettes et les tapis à bordure cousue délicatement.

### La brosse rotative ne tourne pas en mode de nettoyage de tapis.

- Si le voyant indicateur de la brosse rotative devient rouge, éteignez et débranchez immédiatement l'aspirateur. Retirez le réceptacle de la buse de plancher et nettoyez toutes les obstructions. Reconnectez la buse, branchez-la sur l'aspirateur et mettez l'aspirateur en marche.
- Lorsque l'aspirateur est en marche, inclinez la poignée; cela activera automatiquement la brosse rotative.
- Assurez-vous que le bouton Power/Surface (mise en marche/surface) est réglé à Carpet (tapis) (réglage II) pour que la brosse rotative puisse tourner.

### L'aspirateur s'éteint tout seul ou le voyant indicateur clignote en rouge.

Cet aspirateur est doté d'un thermostat de protection du moteur. Si votre aspirateur surchauffe, le thermostat éteindra automatiquement le moteur de succion de l'appareil. Effectuez les étapes ci-dessous pour réinitialiser le thermostat :

1. Éteignez l'aspirateur et débranchez-le.
2. Videz le récipient à poussière et nettoyez les filtres (voir Vidange du récipient à poussière et Nettoyage des filtres).
3. Vérifiez s'il y a des obstructions dans le tuyau, les accessoires et les orifices d'entrée.
4. Laissez refroidir l'appareil pendant au moins 60 minutes.
5. Branchez l'aspirateur et remettez-le en marche à l'aide du bouton Power/Surface (mise en marche/surface).

**REMARQUE :** Tous les accessoires ne sont pas fournis avec tous les appareils. Veuillez vous reporter au Guide de démarrage rapide inclus pour connaître la configuration de votre appareil. Pour acheter des accessoires additionnels, consultez le site [sharkaccessories.com](http://sharkaccessories.com).

Si vous rencontrez toute autre difficulté, veuillez contacter notre service à la clientèle au 1 855 520-7816.



## GARANTIE LIMITÉE DE CINQ (5) ANS

La garantie limitée de cinq (5) ans s'applique aux achats effectués auprès de détaillants autorisés de **SharkNinja Operating LLC**. La garantie s'applique uniquement au premier propriétaire et au produit original et n'est pas transférable.

SharkNinja garantit ce produit contre toute défectuosité de matériau ou de main-d'œuvre pour une période de cinq (5) ans à compter de la date d'achat, dans le cadre d'un usage domestique normal et si le produit est entretenu conformément aux exigences décrites dans le guide de l'utilisateur, sujet aux conditions et aux exclusions ci-dessous :

### Qu'est-ce qui est couvert par cette garantie?

1. L'appareil d'origine ou les pièces inusables considérés comme défectueux, à la seule discrétion de SharkNinja, seront réparés ou remplacés jusqu'à cinq (5) ans à compter de la date d'achat initiale.
2. Dans le cas d'un remplacement de l'appareil, la garantie prendra fin six (6) mois après la date de réception de l'appareil de remplacement ou pendant le reste de la période de garantie existante, selon la période la plus longue. SharkNinja se réserve le droit de remplacer l'appareil par un autre de valeur égale ou supérieure.

### Qu'est-ce qui n'est pas couvert par cette garantie?

1. L'usure normale des pièces (comme les filtres en mousse, les filtres HEPA, les tampons, etc.) qui nécessitent un entretien et/ou un remplacement réguliers afin d'assurer le bon fonctionnement de votre appareil n'est pas couverte par cette garantie. Vous pouvez faire l'achat de pièces de rechange par l'entremise du site [sharkaccessories.com](http://sharkaccessories.com).
2. La garantie ne s'applique pas aux appareils ayant été altérés ou utilisés à des fins commerciales.
3. Les dommages causés par une mauvaise utilisation (comme aspirer de l'eau ou d'autres liquides), un abus, une négligence lors de la manipulation, un manquement à l'entretien nécessaire (comme ne pas nettoyer les filtres ne pas enlever les débris du rouleau de brosse), ou un dommage dû à une mauvaise manipulation pendant le transport.
4. Les dommages indirects et accidentels.
5. Les défaillances causées par des réparateurs non autorisés par SharkNinja. Ces défectuosités incluent les dommages causés lors du processus d'expédition, de modification ou de réparation du produit SharkNinja (ou de l'une de ses pièces) lorsque la réparation est effectuée par un réparateur non autorisé par SharkNinja.
6. Les produits achetés, utilisés ou mis en fonction à l'extérieur de l'Amérique du Nord.

### Comment obtenir du service

Si votre appareil ne fonctionne pas comme il le devrait lors d'un usage domestique normal pendant la période de garantie, consultez le site [sharkclean.ca/support](http://sharkclean.ca/support) pour obtenir des renseignements au sujet des soins et de l'entretien du produit. Nos spécialistes du service à la clientèle sont aussi disponibles au **1 855 520-7816** pour de l'assistance sur les produits et les options de garantie de service offertes, y compris la possibilité de profiter de nos options de garantie VIP pour certaines catégories de produits. Afin que nous puissions mieux vous aider, veuillez enregistrer votre produit en ligne au [registryourshark.com](http://registryourshark.com) et ayez le produit à portée de main lorsque vous appelez.

SharkNinja assumera les frais de retour de l'appareil à nos sites par le consommateur en vue de la réparation ou du remplacement de l'appareil. Un montant de 25,95 \$ (sujet à changement) sera facturé lorsque SharkNinja expédiera l'appareil réparé ou remplacé.

### Comment présenter une demande de service sous garantie

Vous devez téléphoner au **1 855 520-7816** pour soumettre une réclamation au titre de la garantie. Vous aurez besoin du reçu comme preuve d'achat. Nous vous demandons également d'enregistrer votre produit en ligne au [registryourshark.com](http://registryourshark.com) et d'avoir le produit à portée de main lorsque vous appelez afin que nous puissions mieux vous aider. Un spécialiste du service à la clientèle vous fournira les directives d'emballage et de retour.

### Manière dont les lois provinciales ou étatiques s'appliquent

Cette garantie vous accorde des droits spécifiques légaux et vous pouvez aussi bénéficier d'autres droits qui varient d'une province ou d'un État à l'autre. Certains États américains ou certaines provinces canadiennes n'acceptent pas l'exclusion ou la limitation de dommages accessoires ou indirects, de sorte que les dispositions ci-dessus peuvent ne pas s'appliquer à votre cas.

### ENREGISTREZ VOTRE ACHAT



[registryourshark.com](http://registryourshark.com)



Numérisez le code QR avec votre appareil mobile



Les avantages d'enregistrer votre produit et de créer un compte :

- Obtenez un service après-vente plus facile et plus rapide, et accédez aux informations de garantie
- Accédez aux instructions de dépannage et de maintenance au niveau des produits
- Soyez parmi les premiers à connaître les promotions de produits exclusives

**CONSEIL :** Le numéro de modèle et le numéro de série sont indiqués sur l'étiquette de code QR située en bas, à l'arrière du réceptacle de l'aspirateur.

### NOTEZ LES RENSEIGNEMENTS CI-DESSOUS

Numéro de modèle : \_\_\_\_\_

Numéro de série : \_\_\_\_\_

Date d'achat : \_\_\_\_\_

(Conservez la facture)

Magasin où l'appareil a été acheté : \_\_\_\_\_

### CARACTÉRISTIQUES TECHNIQUES

Tension : 120V~ 60Hz

Puissance : 700 W



**PLEASE READ CAREFULLY AND KEEP FOR FUTURE REFERENCE.**

This Owner's Guide is designed to help you get a complete understanding of your new Shark® Navigator® Swivel Pro Complete Upright Vacuum.

SharkNinja Operating LLC  
US: Needham, MA 02494  
CAN: Ville St-Laurent, QC H4S 1A7  
1-855-520-7816  
sharkclean.ca

Illustrations may differ from actual product. We are constantly striving to improve our products; therefore the specifications contained herein are subject to change without notice.

For SharkNinja U.S. Patent information, visit [sharkninja.com/patents](http://sharkninja.com/patents)

**VEUILLEZ LIRE ATTENTIVEMENT LE PRÉSENT MODE D'EMPLOI ET LE CONSERVER À TITRE INFORMATIF.**

Le présent Guide de l'utilisateur a été conçu pour vous aider à acquérir une compréhension approfondie de votre nouvel aspirateur vertical Shark® Navigator® Swivel Pro Complete.

SharkNinja Operating LLC  
États-Unis : Needham, MA 02494  
Canada : Saint-Laurent (Québec) H4S 1A7  
1 855 520-7816  
sharkclean.ca

Les illustrations peuvent différer du produit réel. Nous tentons constamment d'améliorer nos produits; par conséquent, les caractéristiques indiquées dans le présent guide peuvent être modifiées sans préavis.

Pour obtenir de l'information au sujet des brevets de SharkNinja aux États-Unis, consultez le site suivant : [www.sharkninja.com/patents](http://www.sharkninja.com/patents)