

Shark Navigator[®] Lift-Away[®] Upright Vacuum

NV380C Series • Série

OWNER'S GUIDE
GUIDE DE L'UTILISATEUR



IMPORTANT SAFETY INSTRUCTIONS

HOUSEHOLD USE ONLY

To reduce the risk of electric shock, this vacuum cleaner has a polarized plug (one blade is wider than the other). As a safety feature, this plug will fit into a polarized outlet only one way. If the plug does not fit fully into the outlet, reverse the plug. If it still does not fit, contact a qualified electrician. **DO NOT force into outlet or try to modify to fit.**

WARNING

TO REDUCE THE RISK OF FIRE, ELECTRIC SHOCK OR INJURY:

GENERAL WARNINGS

When using an electrical appliance, basic precautions should always be followed, including the following:

1. Inspect power cord and plug for any damage before use. **DO NOT** use vacuum cleaner with a damaged cord or plug. Turn off all controls before plugging in or unplugging the vacuum cleaner. Store your vacuum cleaner with the power cord secured around the two cord hooks. To minimize the risk of power cord damage, do not allow the motorized brush roll to ingest the cord. If this occurs, immediately shut off power to the vacuum and remove the cord.
2. Your vacuum cleaner may consist of a motorized nozzle, wand, hose, and/or vacuum pod. This device contains electrical connections, electrical wiring, and moving parts that potentially present risk to the user.
3. Use only identical replacement parts.
4. Carefully observe and follow the instructions provided below to avoid improper use of the appliance. **DO NOT** use the vacuum for any purpose other than those described in this manual.
5. Before use, carefully inspect all parts for any damage. **DO NOT** use if any parts are damaged.
6. The use of an extension cord is **NOT** recommended.
7. This vacuum cleaner contains no serviceable parts.

USE WARNINGS

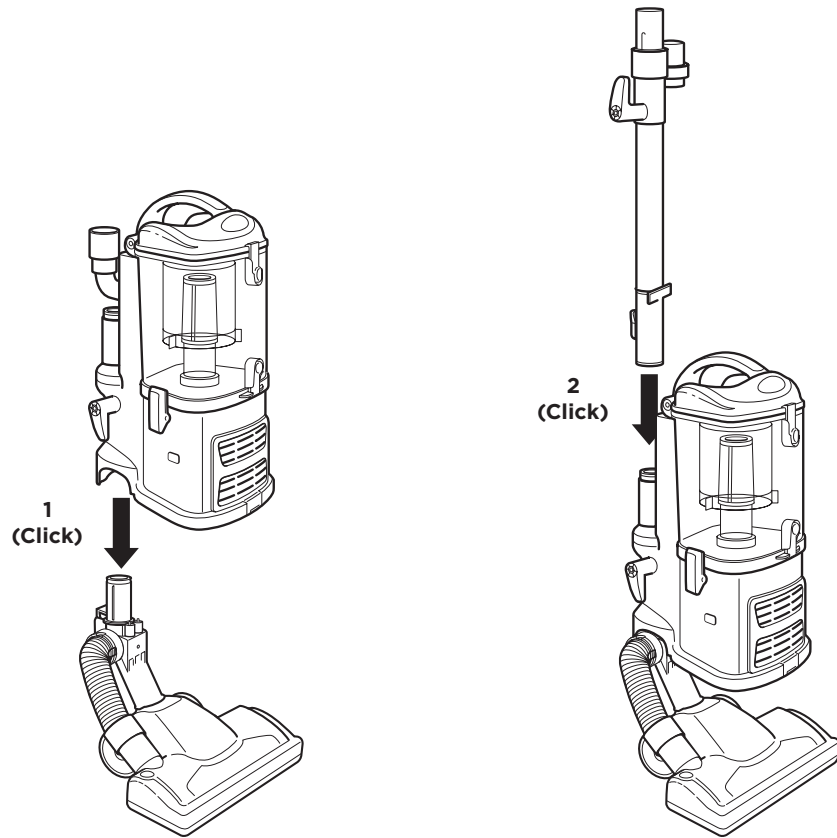
8. This appliance can be used by persons with reduced physical, sensory or mental capabilities or lack of experience and knowledge if they have been given supervision or instruction concerning use of the appliance in a safe way and understand the hazards involved. Cleaning and user maintenance shall not be made by children. Keep the appliance and its cord out of reach of children. **DO NOT** allow the appliance to be used by children. **DO NOT** allow to be used as a toy. Close supervision is necessary when used near children.
9. Always turn off the vacuum cleaner before connecting or disconnecting any motorized nozzles or other accessories.
10. **DO NOT** handle plug or vacuum cleaner with wet hands.
11. **DO NOT** use without filters in place.
12. Only use Shark® branded filters and accessories.
13. **DO NOT** damage the power cord:
 - a) **DO NOT** pull or carry vacuum cleaner by the cord or use the cord as a handle.
 - b) **DO NOT** unplug by pulling on cord. Grasp the plug, not the cord.
 - c) **DO NOT** run the vacuum cleaner over the power cord, close a door on the cord, pull the cord around sharp corners, or leave the cord near heated surfaces.

SAVE THESE INSTRUCTIONS

READ ALL INSTRUCTIONS BEFORE USE

14. **DO NOT** put any objects into nozzle or accessory openings. **DO NOT** use with any opening blocked; keep free of dust, lint, hair, and anything that may reduce airflow.
 15. **DO NOT** use if nozzle or accessory airflow is restricted. If the air paths or the motorized floor nozzle become blocked, turn the vacuum cleaner off and unplug from electrical outlet. Remove all obstructions before you plug in and turn on the unit again.
 16. Keep nozzle and all vacuum openings away from hair, face, fingers, uncovered feet, or loose clothing.
 17. **DO NOT** use if vacuum cleaner is not working as it should, or has been dropped, damaged, left outdoors, or dropped into water.
 18. Use extra care when cleaning on stairs.
 19. **DO NOT** leave the vacuum cleaner unattended while plugged in.
 20. When powered on, keep the vacuum cleaner moving over the carpet surface at all times to avoid damaging the carpet fibers.
 21. **DO NOT** place vacuum cleaner on unstable surfaces such as chairs or tables.
 22. Your Shark® vacuum may not be designed to stand up on its own. When taking a break from cleaning, you may need to lean it against furniture or a wall, or lay it flat on the floor. Using the vacuum for an application where the unit lacks stability may result in personal injury.
 23. **DO NOT** use to pick up:
 - a) Liquids
 - b) Large objects
 - c) Hard or sharp objects (glass, nails, screws, or coins)
 - d) Large quantities of dust (drywall dust, fireplace ash, or embers). **DO NOT** use as an attachment to power tools for dust collection.
 - e) Smoking or burning objects (hot coals, cigarette butts, or matches)
 - f) Flammable or combustible materials (lighter fluid, gasoline, or kerosene)
 - g) Toxic materials (chlorine bleach, ammonia, or drain cleaner)
24. **DO NOT** use in the following areas:
 - a) Poorly lit areas
 - b) Wet or damp surfaces
 - c) Outdoor areas
 - d) Spaces that are enclosed and may contain explosive or toxic fumes or vapors (lighter fluid, gasoline, kerosene, paint, paint thinners, mothproofing substances, or flammable dust)
 25. Turn off all controls before plugging in or unplugging the vacuum.
 26. Unplug from electrical outlet when not in use and before any maintenance or cleaning.
 27. Hand wash with water only. Washing with cleaning chemicals could damage the unit.
 28. During cleaning or routine maintenance, **DO NOT** cut anything other than hair, fibers, or string wrapped around the brushroll.
 29. Allow all filters to air-dry completely before replacing in the vacuum to prevent liquid from being drawn into electric parts.
 30. Make sure the dust cup and all filters are in place after routine maintenance.
 31. If provided, secure the power cord around the two cord hooks during storage.

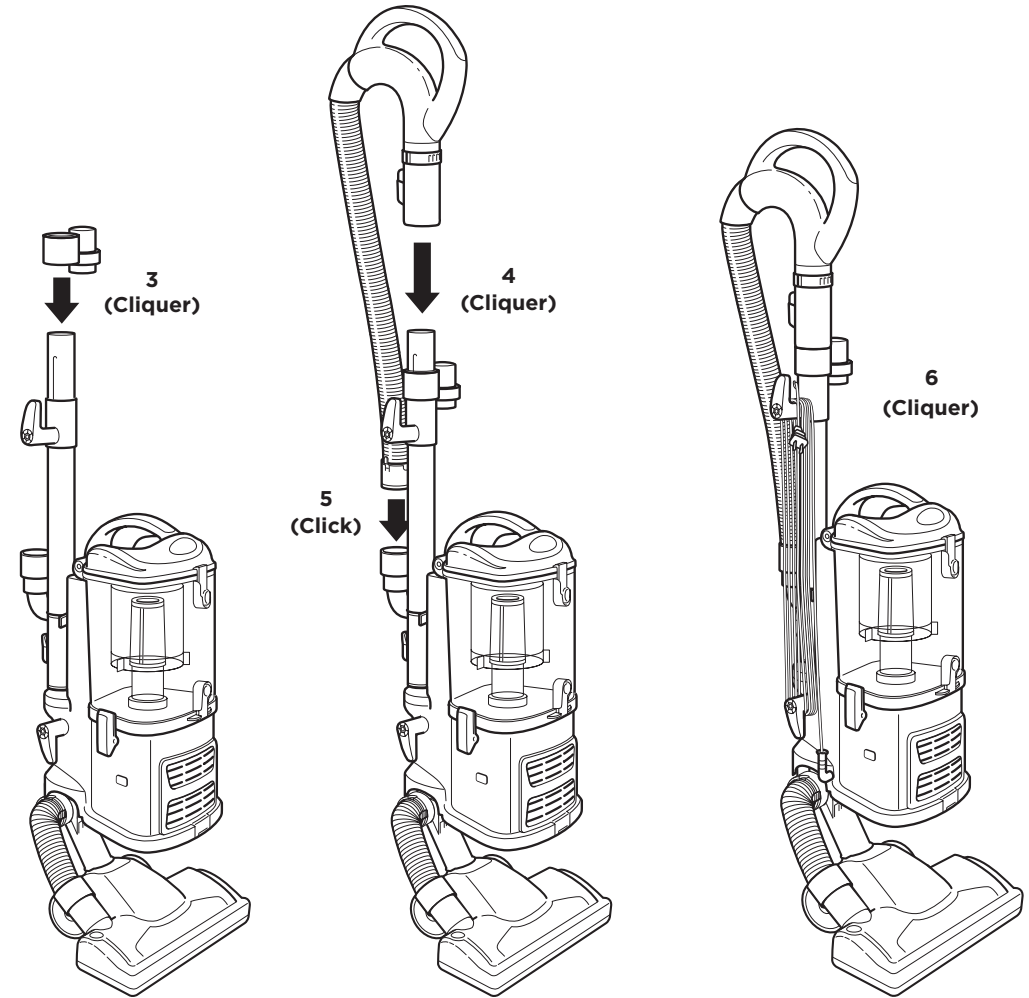
ASSEMBLY



1. Place the **Vacuum Pod** onto the **Floor Nozzle Post**.
2. Insert the **Wand** into the pod.
3. Attach the **Accessory Holder** to the wand.
4. Insert the **Handle** into the wand.
5. Connect the **Hose** to the back of the pod.
6. Store accessories on the accessory holder posts.

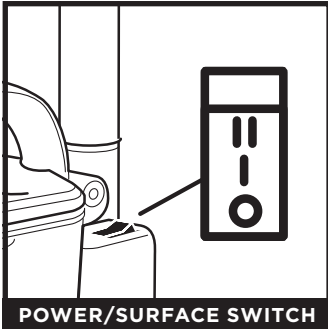
For proper operation, ensure all parts are firmly clicked into place.

ASSEMBLY



WHOLE-HOME CLEANING

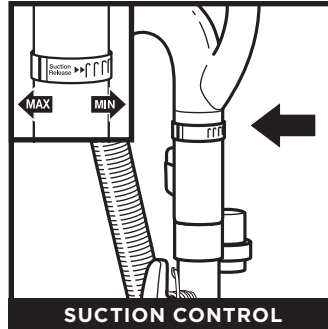
SETTINGS



POWER/SURFACE SWITCH

Select surface setting:

- Off**
- I Bare Floor**
For bare floors and area rugs.
- II Brushroll On**
For high pile carpets.



SUCTION CONTROL

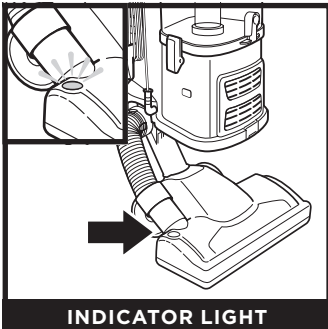
The **Suction Control Slider** located on the handle allows you to adjust the suction depending on the floor type.

MIN: to reduce suction and increase maneuverability on carpets.

MAX: to increase suction on bare floors.

NOTE: The brushroll spins in Brushroll On mode only.

BRUSHROLL INDICATOR LIGHT



INDICATOR LIGHT

WHAT DOES THE BRUSHROLL INDICATOR LIGHT MEAN?

Solid Green: The brushroll is spinning and working as intended.

Solid Red: There is a jam in the brushroll area. Turn off the vacuum and unplug it, then remove any blockages in the nozzle.

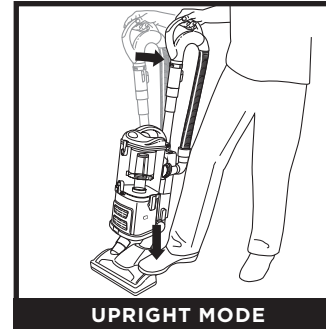
Flashing Red: The motorized floor nozzle is overheating. Turn off the vacuum, unplug it, and remove any blockages. Let the vacuum cool down for at least 60 minutes before restarting. See Troubleshooting section for more information.

No Light: The brushroll is off.

NOTE: For deep carpet cleaning per ASTM F608 (embedded dirt in carpets), set to **MAX** suction and use setting **II, Brushroll On**.

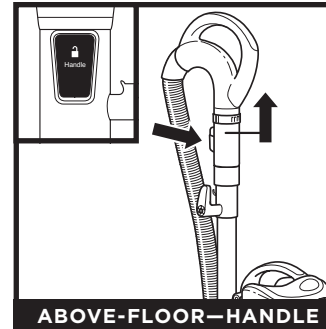
WHOLE-HOME CLEANING

CLEANING MODES



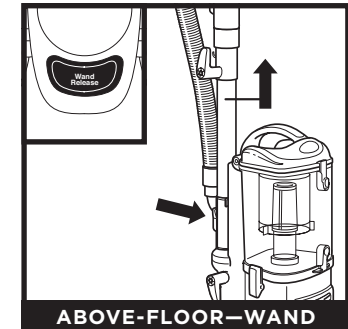
UPRIGHT MODE

To engage **Brushroll**, step on floor nozzle and tilt handle back firmly. Press the Power/Surface switch to the appropriate floor setting.



ABOVE-FLOOR—HANDLE

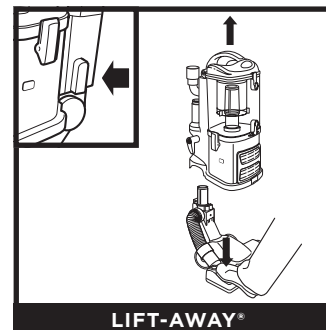
Press the **Handle Release** button and pull up on the handle to detach it from the wand.



ABOVE-FLOOR—WAND

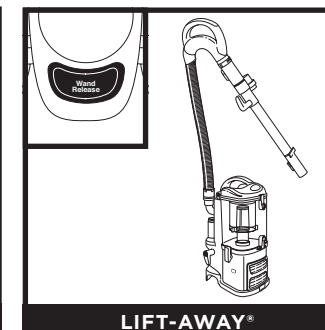
Press the **Wand Release** button and pull up on the wand to detach it from the pod.

In Lift-Away mode, you can clean with the handle or with the handle and the wand.



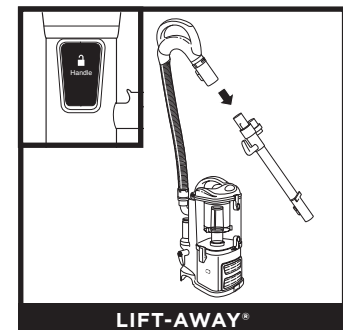
LIFT-AWAY®

Press the **Lift-Away** button to detach the pod from the floor nozzle.



LIFT-AWAY®

With pod removed, press the **Wand Release** button to detach the wand from the pod.

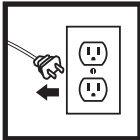


LIFT-AWAY®

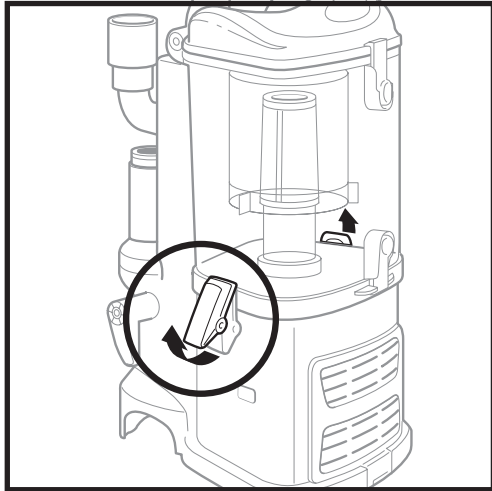
Press the **Handle Release** button and pull up on the handle to detach it from the wand.

NOTE: All accessories are compatible with both the wand and the handle.

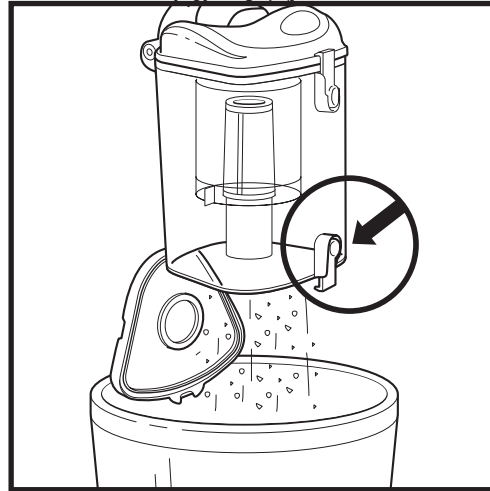
EMPTYING THE DUST CUP



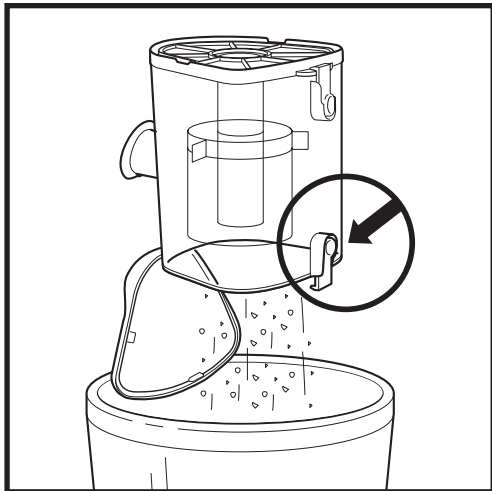
IMPORTANT: Unplug the power cord before performing any maintenance. Empty the dust cup each time you vacuum and periodically during cleaning, when debris in the dust cup reaches the MAX fill line.



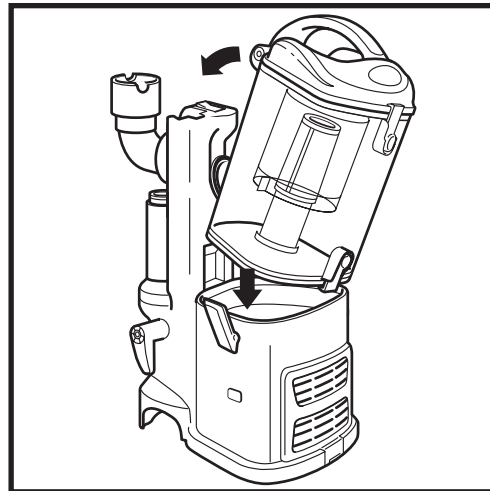
To remove **Dust Cup**, lift the latches on both sides, then lift off the dust cup.



Hold the dust cup over a trash receptacle and press the door release button. Tap gently to empty. Press the door shut until it clicks into place.



To remove debris from the **Lint Screen** in the dust cup, press the top release button and lift the handle to open. Gently brush debris off the screen.



To reinstall, place the bottom of the dust cup into the pod and then tilt until it fits into place. Reattach side latches.

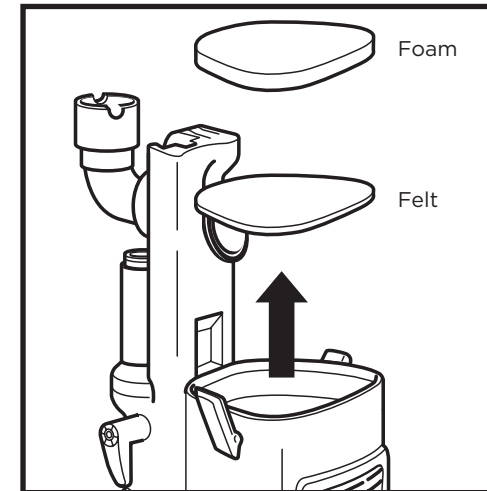
CLEANING AND REPLACING THE FILTERS

CLEANING FILTERS

Regularly rinse and replace the filters to maintain your vacuum's suction power.

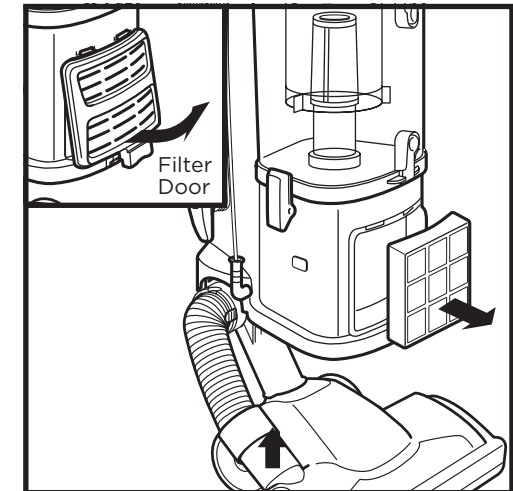
To prevent damage from cleaning chemicals, rinse filters with cold water only. Allow all filters to air-dry for at least 24 hours before reinstalling them to prevent liquid from being drawn into electric parts.

IMPORTANT: DO NOT use soap when cleaning the filters.



CLEAN PRE-MOTOR FILTERS EVERY 3 MONTHS

Remove the dust cup, then lift out the **Pre-Motor Filters**.

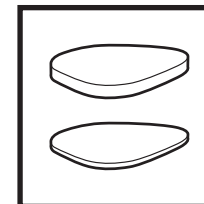


RINSE HEPA FILTER EVERY YEAR

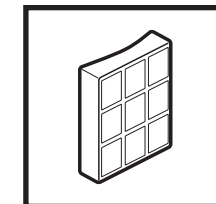
To access the **HEPA Filter**, press the button on the bottom of the **Filter Door** and lift it off. Pull out the HEPA filter. To reinstall, insert the HEPA filter into the pod and replace the filter door.

REPLACING FILTERS

Follow the previous instructions for removing filters. The **Pre-Motor Filter** should be replaced every 2.5 years. The **HEPA Filter** should be replaced every 3 years.



Replacement Pre-Motor Foam & Felt Filter Kit
XFF350

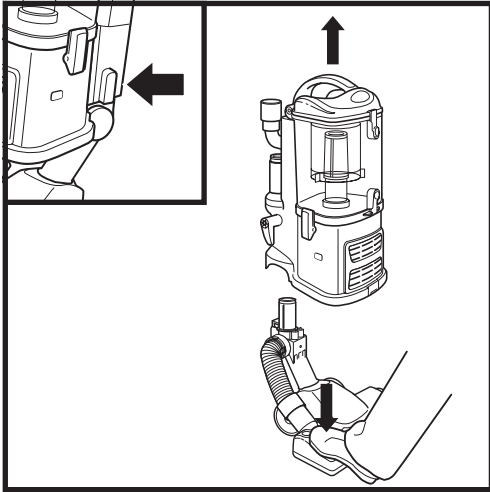


Replacement HEPA Filter
XHF350

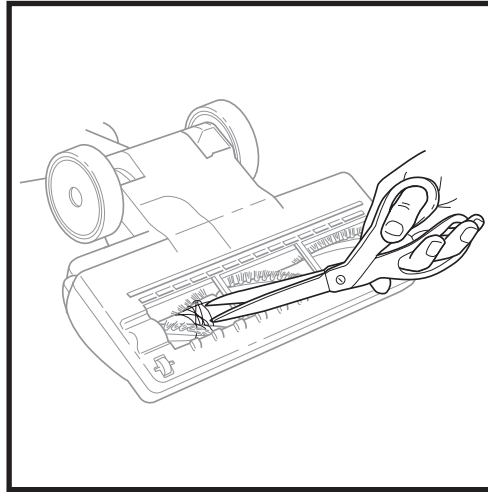
NOTE: To order replacement parts and filters, visit sharkaccessories.com.

CLEANING THE BRUSHROLL

When your brushroll needs cleaning or locks onto an object, it will automatically shut down. The indicator light will illuminate red, warning you to turn off the vacuum and clear the blockage immediately. The light will reset once the blockage has been cleared and power has been cycled on or off, or the vacuum has been locked in the upright position.

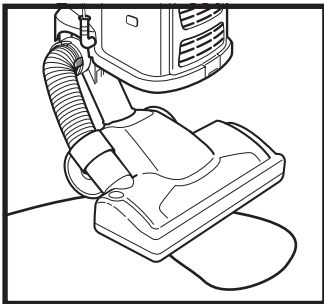


Detach the motorized floor nozzle from the pod.



Inspect the airway and the brushroll. Remove any debris buildup. With scissors, carefully cut away any fibers or hair wrapped around the brushroll. Avoid damaging or cutting the bristles.

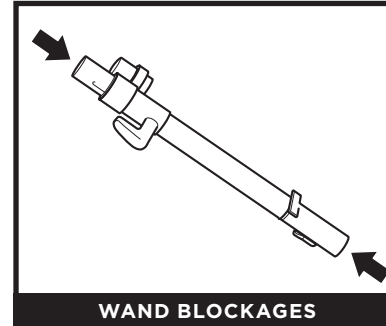
CORD MAINTENANCE



To minimize the risk of power cord damage, **DO NOT** run the vacuum over the power cord. If this occurs, immediately shut off power to the vacuum and remove the cord from the brushroll or nozzle.

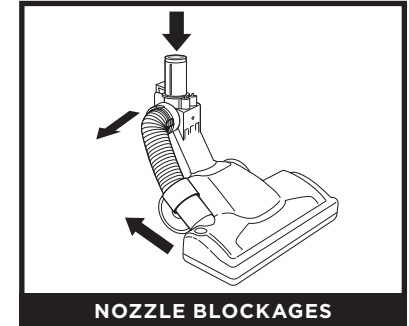
1. **DO NOT** pull or carry vacuum cleaner by the cord or use cord as a handle.
2. **DO NOT** unplug by pulling on the cord. Grasp the plug, not the cord.
3. **DO NOT** close the door on the cord.
4. **DO NOT** pull the cord around sharp corners.
5. **DO NOT** leave the cord near heated surfaces.

CHECKING FOR BLOCKAGES



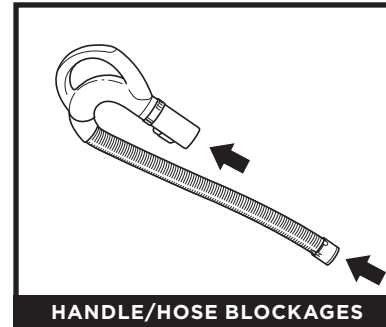
WAND BLOCKAGES

Detach wand from floor nozzle and handle, and check both ends for blockages.



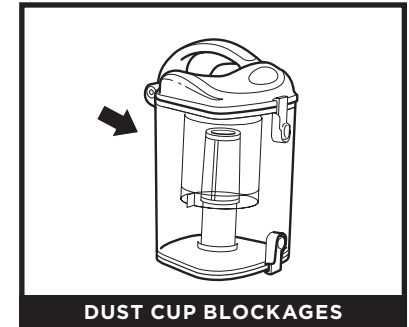
NOZZLE BLOCKAGES

Detach the hose. Pull the bottom of the hose out of the connector, and release the top of the hose by squeezing the tabs together. Check the hose and the openings for blockages.



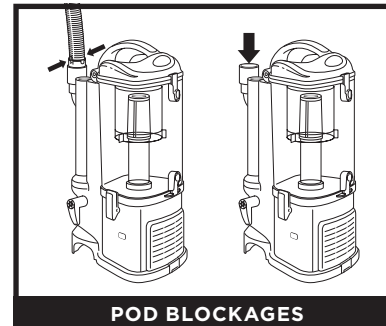
HANDLE/HOSE BLOCKAGES

Detach handle from wand and hose from the vacuum pod, and check openings for blockages.



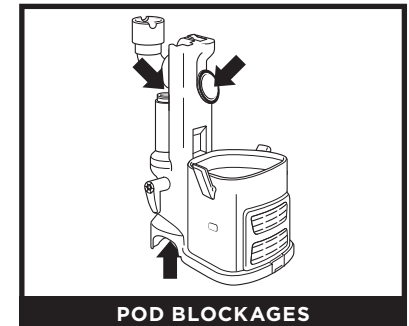
DUST CUP BLOCKAGES

Detach dust cup from vacuum pod. Empty dust cup, remove debris from lint screen, and check for blockages in rear inlet.



POD BLOCKAGES

Detach hose from the vacuum pod, and check openings for blockages.



POD BLOCKAGES

Detach dust cup from the vacuum pod, and check openings for blockages.

AVAILABLE ACCESSORIES

A Crevice Tool

Clean in corners and other tight spaces or reach baseboards and ceilings with this slim crevice tool.

B Upholstery Tool

Picks up hair, dust, and large debris from mattresses, couches, curtains, lampshades, and other delicate upholstered fabrics.

C Dusting Brush

This brush dusts and cleans delicate surfaces. Great for use on fans, blinds, lampshades, and keyboards.

D Anti-Allergen Dust Brush

This brush features nylon fiber bristles specifically designed for removing fine dust and allergen particles from the most delicate surfaces.

E Pet Power Brush

The turbine brush loosens and removes pet hair and debris from carpets, and powerfully deep-cleans dander out of upholstery and other surfaces.

F Home & Car Detail Kit

Deep-clean your car like a professional detailer, or clean hard-to-reach areas in your home. Micro-sized tools let you clean around delicate objects and access the tightest spaces like car vents and computer keyboards.

G Duster Crevice Tool

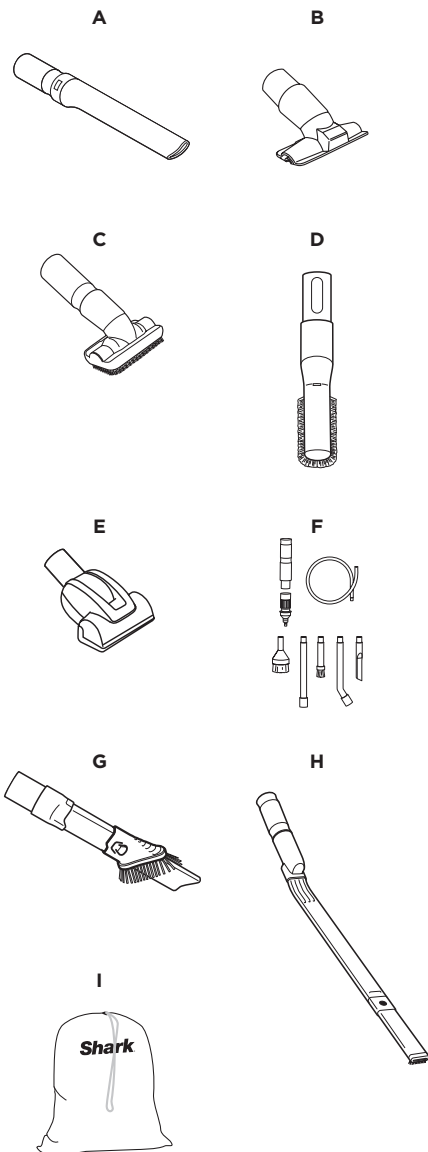
Two cleaning tools in one. The crevice tool gives you extended reach to clean in tight spaces, while the soft brush is ideal for dusting delicate surfaces.

H Under-Appliance Wand

Clean under and behind hard-to-move appliances and furniture with this adjustable 36" tool. Flip the extension piece over to clean the underside of appliances.

I Large Accessory Bag

This convenient accessory storage bag measures 32 cm x 70 cm and fits the Under-Appliance Wand. Smaller size available at sharkaccessories.com.



TROUBLESHOOTING

Power cord caught in brushroll or floor nozzle.

- To minimize the risk of power cord damage, DO NOT run the vacuum over the power cord. If this occurs, immediately shut off power to the vacuum and remove the cord from the brushroll or nozzle.
- Inspect power cord and plug for any damage before use. DO NOT use vacuum cleaner with a damaged cord or plug. Turn off all controls before plugging in or unplugging the vacuum cleaner. Store your vacuum cleaner with the power cord secured around the two cord hooks.

Vacuum is not picking up debris. No suction or light suction.

- Check filters to see if they need cleaning. Follow instructions for rinsing and air-drying the filters before reinstalling.
- Dust cup may be full; empty dust cup.
- Clear any blockages in the hose, hose connections, nozzle, wand, pod, or accessories. See Checking for Blockages section for more information.
- If any hair is wrapped around the brushroll, continue vacuuming. This will allow the self-cleaning brushroll to remove the hair wrap and send it to the dust cup. If some fibers remain wrapped around the brushroll after continued use, open the brushroll cover to remove them.

Vacuum lifts area rugs.

- Make sure Power/Surface switch is set to Bare Floor (setting I).
- Suction is powerful. Take care when vacuuming area rugs or rugs with delicately sewn edges.
- To minimize suction, set the suction control slider to MIN. See the Suction Control section for more information.

Brushroll does not spin.

- If the Brushroll Indicator Light turns red, immediately turn off and unplug the vacuum. Remove pod from floor nozzle and clear any blockages. Reconnect nozzle, plug in vacuum, and turn on power.
- With the power on, recline the handle, which will automatically turn on the brushroll.

Vacuum turns off on its own or indicator light flashes red.

If your vacuum overheats, the thermostat will automatically turn off the motor. Follow these steps to restart:

1. Turn vacuum off and unplug it.
2. Empty dust cup and clean filters (see Emptying the Dust Cup and Cleaning the Filters).
3. Check for blockages in hose, wand, nozzle, accessories, and inlet openings.
4. Allow unit to cool for a minimum of 60 minutes.
5. Plug in vacuum and turn it on.

NOTE: Not all accessories come with all units. For a list of the accessories included with this model, see the top inside flap of the box. To order additional accessories, visit sharkaccessories.com.

For all other issues, please visit our website at sharkclean.com/support.

FIVE (5) YEAR LIMITED WARRANTY

The Five (5) Year Limited Warranty applies to purchases made from authorized retailers of **SharkNinja Operating LLC**. Warranty coverage applies to the original owner and to the original product only and is not transferable.

SharkNinja warrants that the unit shall be free from defects in material and workmanship for a period of five (5) years from the date of purchase when it is used under normal household conditions and maintained according to the requirements outlined in the Owner's Guide, subject to the following conditions and exclusions:

What is covered by this warranty?

1. The original unit and/or non-wearable parts deemed defective, in SharkNinja's sole discretion, will be repaired or replaced up to five (5) years from the original purchase date.
2. In the event a replacement unit is issued, the warranty coverage ends six (6) months following the receipt date of the replacement unit or the remainder of the existing warranty, whichever is later. SharkNinja reserves the right to replace the unit with one of equal or greater value.

What is not covered by this warranty?

1. Normal wear and tear of wearable parts (such as foam filters, HEPA filters, pads, etc.), which require regular maintenance and/or replacement to ensure the proper functioning of your unit, are not covered by this warranty. Replacement parts are available for purchase at sharkaccessories.com.
2. Any unit that has been tampered with or used for commercial purposes.
3. Damage caused by misuse (e.g., vacuuming up water or other liquids), abuse, negligent handling, failure to perform required maintenance (e.g., not cleaning the filters, not removing debris from the brushroll), or damage due to mishandling in transit.
4. Consequential and incidental damages.
5. Defects caused by repair persons not authorized by SharkNinja. These defects include damages caused in the process of shipping, altering, or repairing the SharkNinja product (or any of its parts) when the repair is performed by a repair person not authorized by SharkNinja.
6. Products purchased, used, or operated outside North America.

How to get service

If your appliance fails to operate properly while in use under normal household conditions within the warranty period, visit sharkclean.com/support for product care and maintenance self-help. Our Customer Service Specialists are also available at **1-800-798-7398** to assist with product support and warranty service options, including the possibility of upgrading to our VIP warranty service options for select product categories. So we may better assist you, please register your product online at registryyourshark.com and have the product on hand when you call.

SharkNinja will cover the cost for the customer to send in the unit to us for repair or replacement. A fee of \$25.95 (subject to change) will be charged when SharkNinja ships the repaired or replacement unit.



How to initiate a warranty claim

You must call **1-800-798-7398** to initiate a warranty claim. You will need the receipt as proof of purchase. We also ask that you register your product online at registryyourshark.com and have the product on hand when you call, so we may better assist you. A Customer Service Specialist will provide you with return and packing instruction information.

How state law applies

This warranty gives you specific legal rights, and you also may have other rights that vary from state to state. Some states do not permit the exclusion or limitation of incidental or consequential damages, so the above may not apply to you.

REGISTER YOUR PURCHASE

-  registryyourshark.com
-  Scan QR code using mobile device



Benefits of registering your product and creating an account:

- Get easier, faster product support and access to warranty information
- Access troubleshooting and product care instructions
- Be among the first to know about exclusive product promotions

TIP: You can find the model and serial numbers on the QR code label on the bottom of the back of the vacuum pod.

RECORD THIS INFORMATION

Model Number: _____

Serial Number: _____

Date of Purchase: _____
(Keep receipt)

Store of Purchase: _____

TECHNICAL SPECIFICATIONS

Voltage: 120V- 60Hz

Watts: 1200W

CONSIGNES DE SÉCURITÉ IMPORTANTES

USAGE DOMESTIQUE UNIQUEMENT

Pour réduire les risques d'électrocution, cet aspirateur est muni d'une fiche polarisée (l'une des broches est plus large que l'autre). Par mesure de sécurité, cette fiche s'insérera dans une prise polarisée dans un seul sens.

Si la fiche refuse de s'insérer à fond dans la prise, essayez dans l'autre sens.

Si le problème persiste, contactez un électricien qualifié.

NE FORCEZ PAS la prise ou n'essayez pas de la modifier pour l'adapter.

AVERTISSEMENT

POUR RÉDUIRE LES RISQUES D'INCENDIE, D'ÉLECTROCUTION OU DE BLESSURES :

AVERTISSEMENTS GÉNÉRAUX

Lors de l'utilisation d'un appareil électrique, les mesures de sécurité de base doivent toujours être respectées, notamment :

1. Vérifiez si le cordon d'alimentation et la fiche sont endommagés avant d'utiliser l'aspirateur. **NE PAS** utiliser un aspirateur dont la fiche ou le cordon est endommagé. Éteignez toutes les commandes avant de brancher ou de débrancher l'aspirateur. Rangez votre aspirateur avec le cordon d'alimentation enroulé autour des deux crochets. Ne passez pas le rouleau-brosse motorisé sur le cordon d'alimentation. Ce dernier risquerait d'être endommagé. Si cela se produit, coupez immédiatement l'alimentation de l'aspirateur et retirez le cordon.
2. Votre aspirateur peut être muni d'une tête motorisée, d'un tube, d'un flexible et d'un module. Cet appareil contient des connexions électriques, un câblage électrique et des pièces mobiles qui présentent un risque pour l'utilisateur.
3. Utilisez uniquement des pièces de rechange identiques.
4. Suivez attentivement les directives ci-dessous pour utiliser correctement l'appareil. **N'UTILISEZ PAS** l'aspirateur pour un autre usage que ceux décrits dans ce manuel.
5. Avant chaque utilisation, vérifiez soigneusement qu'aucune pièce n'est endommagée. **N'UTILISEZ PAS** l'appareil si une pièce est endommagée.
6. L'utilisation d'une rallonge **N'EST PAS** recommandé.
7. Cet aspirateur ne contient aucune pièce réparable.

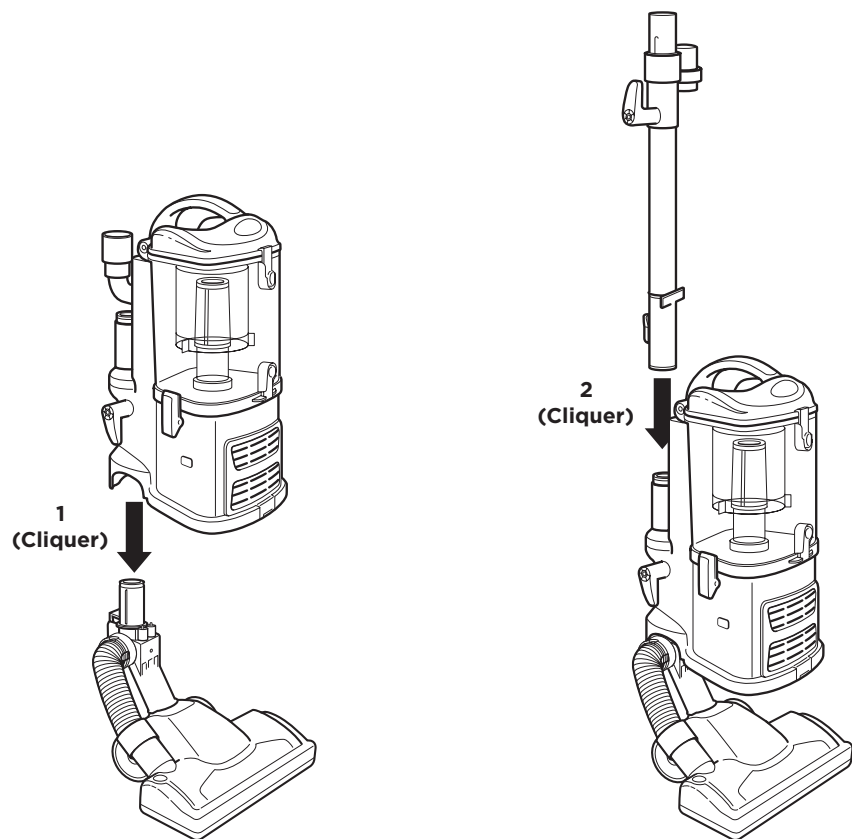
AVERTISSEMENTS DE MODE D'EMPLOI

8. Cet appareil n'est pas destiné à être utilisé par des personnes dont les capacités physiques, sensorielles ou intellectuelles sont réduites, ou par des personnes manquant d'expérience et de connaissances, à moins qu'elles ne soient sous surveillance ou qu'elles aient reçu des instructions quant à l'utilisation sécuritaire de l'appareil et qu'elles comprennent les dangers en cause. Le nettoyage et l'entretien par l'utilisateur ne doivent pas être effectués par des enfants. Maintenez l'appareil et son cordon hors de la portée des enfants. **NE LAISSEZ PAS** d'enfants utiliser l'appareil. **NE PERMETTEZ PAS** qu'il soit utilisé comme jouet. Une surveillance étroite est nécessaire lorsqu'il est utilisé en présence d'enfants.
9. Mettez l'aspirateur hors tension avant de brancher ou de débrancher des têtes motorisées ou tout autre accessoire.
10. **NE MANIPULEZ PAS** la fiche ou l'aspirateur avec les mains mouillées.
11. **N'UTILISEZ PAS** l'appareil si les filtres ne sont pas en place.
12. Utilisez uniquement des filtres et des accessoires de marque Shark®.
13. **N'ENDOMMAGEZ PAS** le cordon d'alimentation :
 - a) **NE TIREZ PAS** ou ne tenez pas l'aspirateur par le cordon d'alimentation ou encore n'utilisez pas le cordon comme une poignée.
 - b) **NE DÉBRANCHEZ PAS** l'appareil en tirant sur le cordon. Pour le débrancher, tenez la fiche, et non le cordon.
 - c) **NE ROULEZ PAS** l'appareil sur le cordon, ne coincez pas le cordon dans une porte, ne tirez pas sur le cordon dans les angles aigus, ou encore ne laissez pas le cordon près de surfaces chauffées.

CONSERVEZ CES INSTRUCTIONS

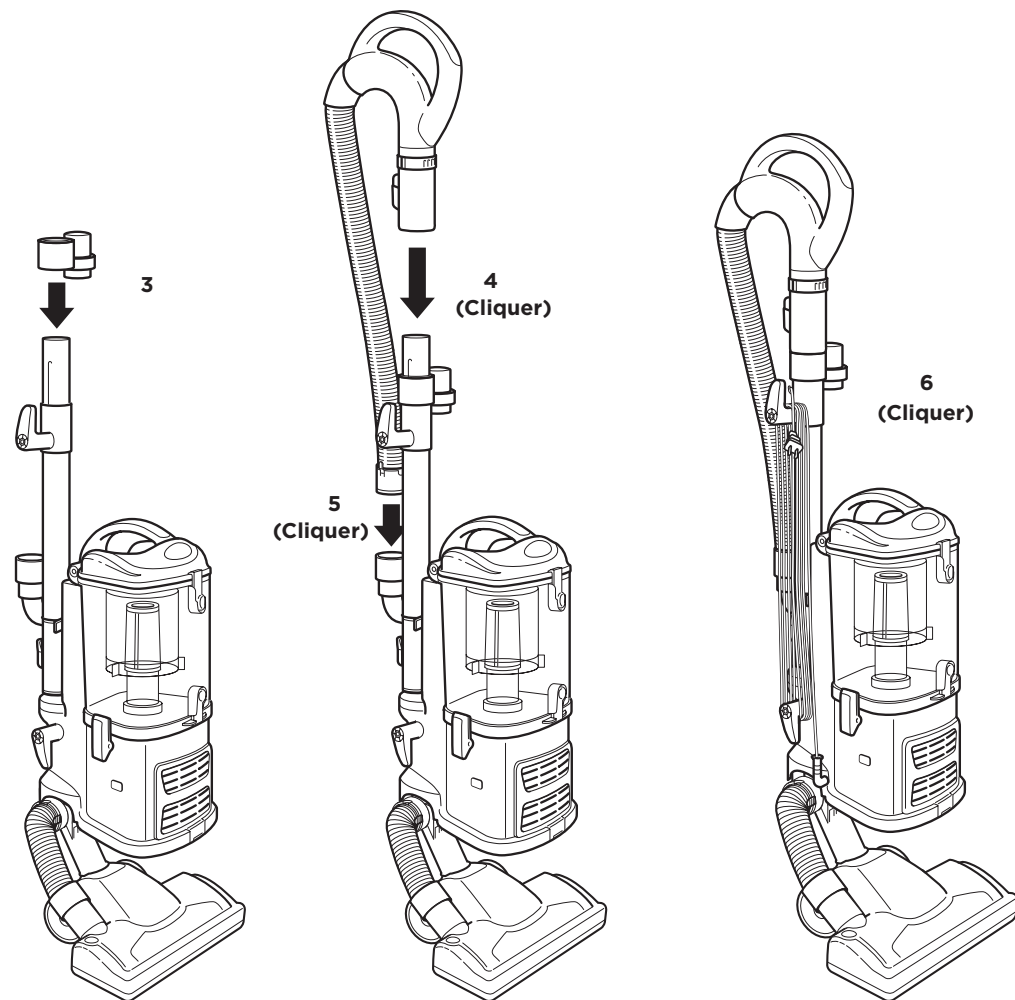
LISEZ TOUTES LES INSTRUCTIONS AVANT TOUTE UTILISATION

14. **N'INSÉREZ AUCUN** objet dans la buse ou les ouvertures des accessoires. **N'UTILISEZ PAS** l'aspirateur si l'une des ouvertures est obstruée; gardez les ouvertures libres de poussière, de peluches, de cheveux ou de tout autre élément pouvant réduire le débit d'air.
 15. **N'UTILISEZ PAS** l'aspirateur si le débit d'air de la buse ou de l'accessoire est limité. Si la tête motorisée ou les passages d'air sont obstrués, éteignez l'appareil et débranchez-le. Retirez toute obstruction avant de rebrancher l'appareil et de le remettre en marche.
 16. Tenez la tête d'aspirateur et toutes les ouvertures d'aspiration éloignées des cheveux, du visage, des doigts, des pieds découverts et des vêtements amples.
 17. **N'UTILISEZ PAS** l'aspirateur s'il ne fonctionne pas comme il devrait, ou s'il est tombé, a été endommagé, est resté à l'extérieur ou est tombé dans l'eau.
 18. Faites preuve d'une grande prudence lors du nettoyage des escaliers.
 19. **NE LAISSEZ PAS** l'aspirateur sans surveillance lorsqu'il est branché.
 20. Lorsque l'aspirateur est en marche sur un tapis, gardez-le en mouvement afin d'éviter d'endommager les fibres du tapis.
 21. **NE PLACEZ PAS** l'aspirateur sur des surfaces instables, comme des chaises ou des tables.
 22. Votre aspirateur Shark® n'est peut-être pas conçu pour rester à la verticale par lui-même. Lorsque vous n'utilisez pas l'appareil, vous devez peut-être le poser contre un mur ou un meuble, ou encore le poser au sol. L'utilisation de l'aspirateur lorsqu'il n'est pas stable peut entraîner des blessures.
 23. **N'UTILISEZ PAS** l'aspirateur pour aspirer :
 - a) des liquides
 - b) des objets de grande taille
 - c) des objets durs ou tranchants (verre, clous, vis ou pièces de monnaie)
 - d) de grandes quantités de poussière (cloisons sèches, cendre ou braise). **N'UTILISEZ PAS** l'aspirateur comme un accessoire d'un outil électrique pour aspirer de la poussière.
 - e) des objets fumants ou brûlants (charbons ardents, mégots de cigarettes, allumettes)
 - f) des matériaux inflammables ou combustibles (essence à briquet, essence ou kérosène)
 - g) des matières toxiques (eau de javel, ammoniac ou produit débouchant)
24. **N'UTILISEZ PAS** l'aspirateur robot dans les zones suivantes :
 - a) endroits faiblement éclairés
 - b) surfaces mouillées ou humides
 - c) À l'extérieur
 - d) endroits fermés pouvant contenir des fumées ou des vapeurs explosives ou toxiques (essence à briquet, essence, kérosène, peinture, diluants à peinture, produits de traitement antimites ou poussières inflammables).
 25. Éteignez toutes les commandes avant de brancher ou de débrancher l'aspirateur.
 26. Débranchez-le de la prise électrique lorsqu'il n'est pas utilisé et avant tout entretien ou nettoyage.
 27. Lavez l'appareil à la main en utilisant de l'eau uniquement. Le lavage avec des produits chimiques de nettoyage peut endommager l'appareil.
 28. Lors du nettoyage ou de l'entretien de routine, **NE COUPEZ AUCUNE** matière autre que des cheveux, des fibres ou de la ficelle enroulés autour de la brosse rotative.
 29. Laissez tous les filtres sécher à l'air complètement avant de les réinstaller dans l'aspirateur pour éviter que l'eau ne soit aspirée dans les composants électriques.
 30. Assurez-vous de remettre le compartiment à poussière et les filtres bien en place après l'entretien de routine.
 31. Si vous disposez des deux crochets à cordon, accrochez-y le cordon lorsque vous rangez l'appareil.

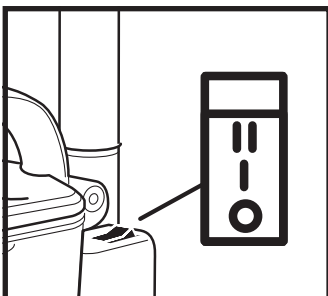


1. Placez le **module de l'aspirateur** sur le **montant de la tête de l'aspirateur**.
2. Insérez le **tube** dans le module.
3. Fixez le **porte-accessoires** au tube.
4. Insérez la **poignée** dans le tube.
5. Raccordez le **flexible** à l'arrière du module.
6. Entreposez les accessoires sur les poteaux du porte-accessoires.

Pour assurer le bon fonctionnement de l'appareil, tous les composants doivent être complètement enclenchés.



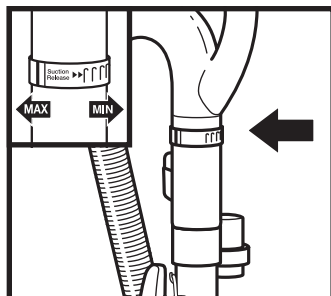
PARAMÈTRES



INTERRUPTEUR D'ALIMENTATION/
DE SÉLECTION DE SURFACE

Sélectionner le réglage de surface :

- O Hors tension**
- I Planchers nus**
Pour les planchers nus et les petits tapis.
- II Brosse rotative**
Pour les tapis à poils longs.



COMMANDE D'ASPIRATION

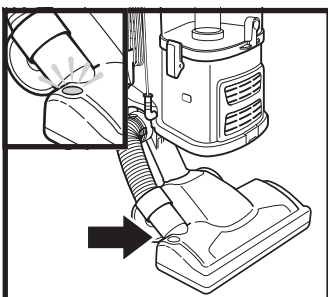
Le **curseur de commande d'aspiration** situé sur la poignée vous permet de régler l'aspiration en fonction du type de plancher.

MIN : pour réduire la puissance d'aspiration et augmenter la manœuvrabilité sur les tapis.

MAX : pour augmenter la puissance d'aspiration sur les planchers nus.

REMARQUE : La brosse rotative ne s'active que dans le mode à cet effet.

VOYANT DE LA BROSSSE ROTATIVE



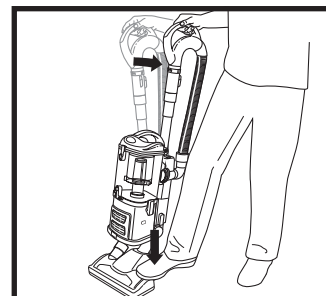
VOYANT

QU'INDIQUE LE VOYANT DE LA BROSSSE ROTATIVE?

- Vert continu** : la brosse rotative tourne et fonctionne correctement.
- Rouge continu** : la zone de la brosse rotative est obstruée. Éteignez l'aspirateur et débranchez-le, puis éliminez les obstructions dans la tête d'aspirateur.
- Clignote en rouge** : la tête d'aspirateur motorisée surchauffe. Mettez l'aspirateur hors tension et débranchez-le, puis éliminez les obstructions dans la tête d'aspirateur. Laissez l'aspirateur refroidir pendant au moins 60 minutes avant de le redémarrer. Consultez la section Dépannage pour obtenir de plus amples renseignements.
- Éteint** : la brosse rotative est désactivée.

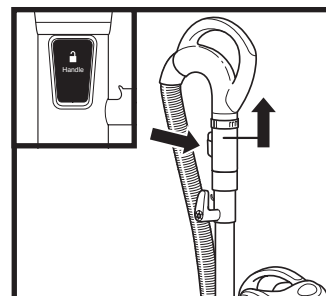
REMARQUE : Pour un nettoyage en profondeur conforme à la norme ASTM F608 (saleté incrustée dans les tapis), réglez l'aspiration à **MAX** et utilisez le réglage **II, Brosse rotative**.

MODES DE NETTOYAGE



MODE VERTICAL

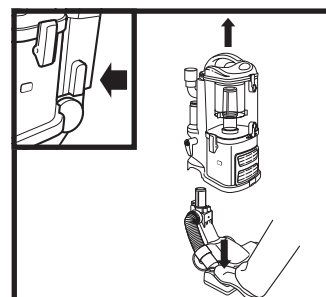
Pour activer la **brosse rotative** , posez le pied sur la tête d'aspirateur et inclinez fermement la poignée vers l'arrière. Appuyez sur l'interrupteur d'alimentation/de sélection de surface et choisissez le bon type de surface.



SURFACE AU-DESSUS DU
SOL - ASPIRATEUR À MAIN

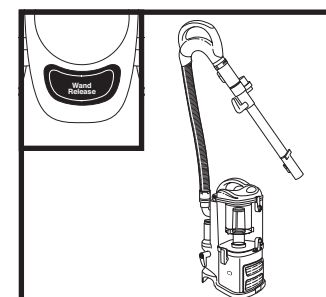
Appuyez sur le bouton de **déverrouillage de la poignée** et tirez sur la poignée pour la détacher du tube.

Dans le mode Lift-Away, vous pouvez nettoyer avec la poignée seulement ou avec la poignée et le tube.



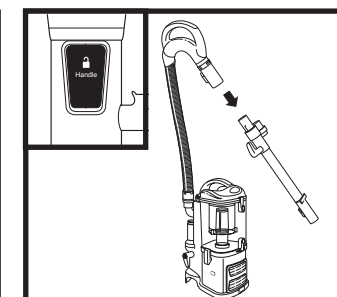
LIFT-AWAY®

Appuyez sur le bouton **Lift-Away** pour détacher le boîtier de la tête d'aspirateur.



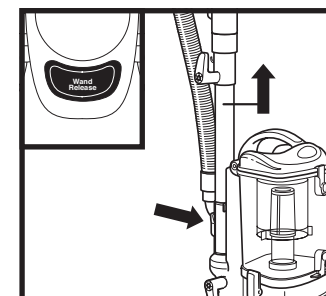
LIFT-AWAY®

Lorsque le boîtier est détaché, appuyez sur le bouton de **déverrouillage** pour détacher le tube du boîtier.



LIFT-AWAY®

Appuyez sur le bouton de **déverrouillage de la poignée** et tirez sur cette dernière pour la détacher du tube.

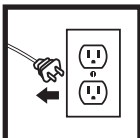


SURFACE AU-DESSUS
DU SOL - TUBE

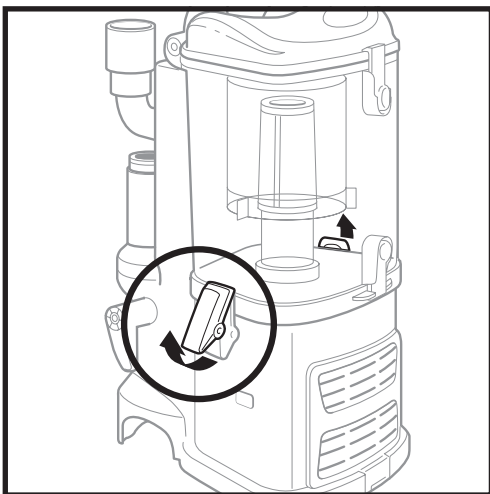
Appuyez sur le bouton de **déverrouillage du tube** et tirez sur le tube pour le détacher du boîtier.

REMARQUE : Tous les accessoires sont compatibles avec le tube et l'aspirateur à main.

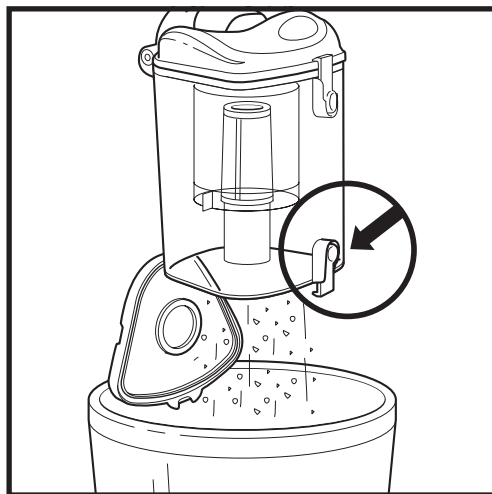
VIDANGE DU COMPARTIMENT À POUSSIÈRE



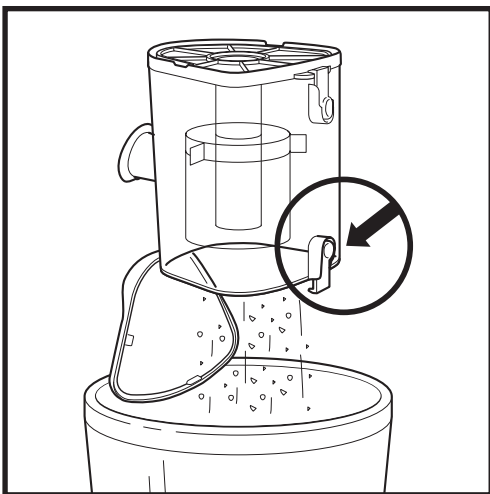
IMPORTANT : Débranchez le cordon d'alimentation avant d'effectuer tout entretien. Videz le compartiment à poussière chaque fois que vous passez l'aspirateur et durant le nettoyage lorsque le compartiment est plein.



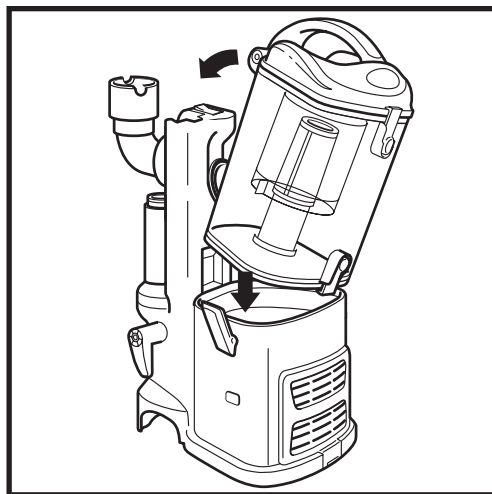
Pour retirer le **compartiment à poussière**, levez les deux loquets sur les côtés, puis retirez le compartiment.



Tenez le compartiment au-dessus d'une poubelle, et appuyez sur le bouton de déverrouillage de la porte. Tapez ensuite doucement sur le compartiment pour le vider. Fermez ensuite la porte jusqu'à ce qu'elle se verrouille.



Pour retirer les débris du **filtre à charpie** dans le compartiment à poussière, appuyez sur le bouton de déverrouillage et levez la poignée. Retirez ensuite légèrement les débris du filtre.



Pour réinstaller le compartiment, placez le bas du compartiment à poussière dans le module, puis inclinez-le vers l'arrière jusqu'à ce qu'il s'enclenche. Refixez les loquets latéraux.

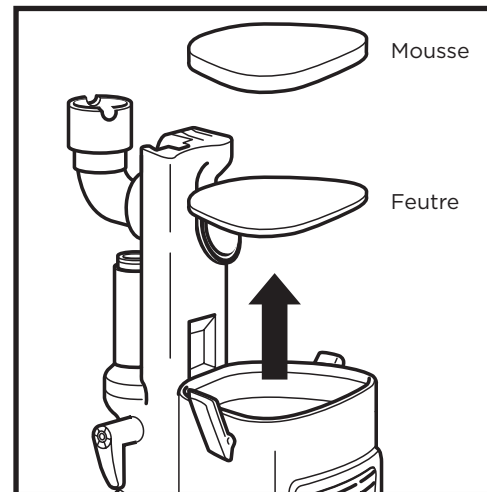
NETTOYAGE ET REMPLACEMENT DES FILTRES

NETTOYAGE DES FILTRES

Rincez et remplacez régulièrement les filtres pour maintenir la puissance d'aspiration de votre aspirateur.

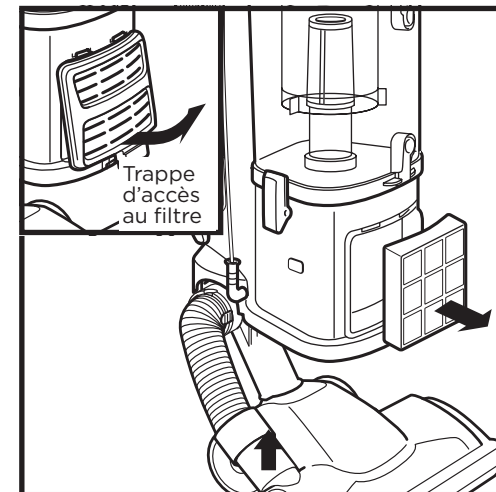
Pour éviter d'endommager l'aspirateur avec des produits de nettoyage chimiques, rincez les filtres à l'eau froide uniquement. Laissez les filtres sécher à l'air libre pendant au moins 24 heures avant de les réinstaller pour éviter que l'eau ne soit aspirée dans les composants électriques.

IMPORTANT : VOUS NE DEVEZ PAS utiliser de savon pour nettoyer les filtres.



NETTOYEZ LES FILTRES PRÉ-MOTEUR TOUS LES 3 MOIS

Retirez le compartiment à poussière, puis sortez les **filtres pré-moteur**.

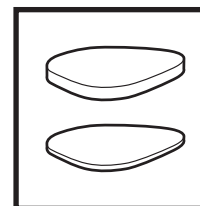


RINCER LE FILTRE HEPA CHAQUE ANNÉE

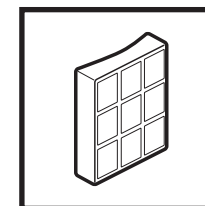
Pour accéder au **filtre HEPA**, appuyez sur le bouton dans le bas de la **trappe d'accès au filtre** et retirez le filtre. Retirez le filtre HEPA. Pour réinstaller le filtre HEPA, insérez-le dans le module et refermez la trappe d'accès du filtre.

REPLACEMENT DES FILTRES

Suivez les instructions précédentes pour retirer les filtres. Le **filtre pré-moteur** doit être remplacé tous les 2,5 ans. Le **filtre HEPA** doit être remplacé tous les 3 ans.



Trousse de filtres pré-moteur en mousse et en feutre de rechange XFF350

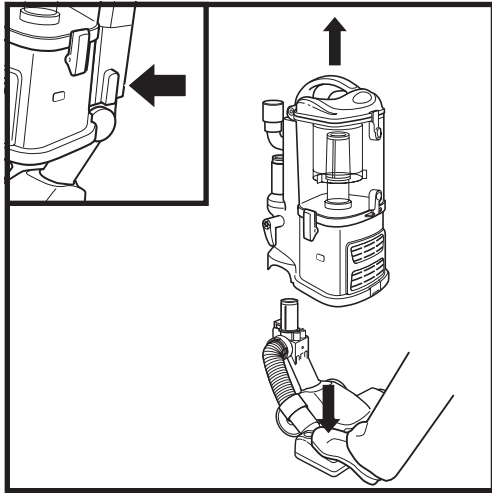


Filtre HEPA de rechange XHF350

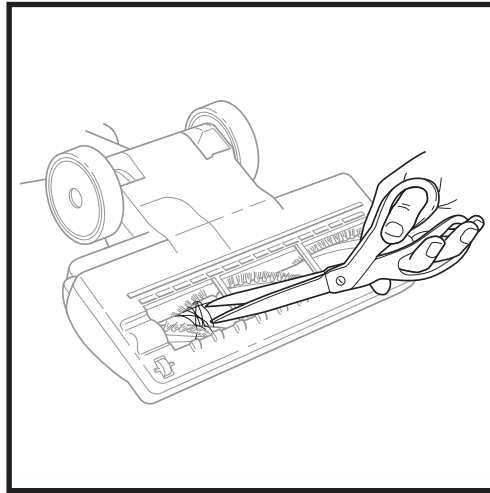
REMARQUE : Pour commander des pièces de rechange et des filtres, visitez le site sharkaccessories.com.

NETTOYAGE DE LA BROSE ROTATIVE

Lorsque votre brosse rotative doit être nettoyée ou qu'elle est obstruée par un objet, elle s'éteint automatiquement. Le voyant lumineux virera au rouge, vous indiquant de mettre l'aspirateur hors tension et de retirer l'objet obstruant l'appareil. La lumière se réinitialisera lorsque l'objet créant le blocage aura été retiré et que l'aspirateur aura été mise hors tension, puis sous tension. Elle se réinitialisera aussi en verrouillant l'appareil en position verticale.

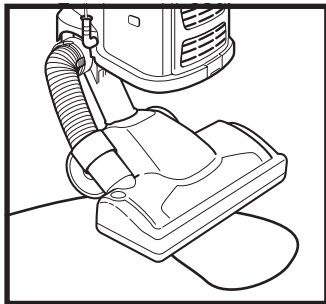


Détachez la tête motorisée du module.



Inspectez les entrées et sorties d'air, et la brosse rotative. Retirez toute accumulation de débris. Utilisez des ciseaux pour couper soigneusement les fibres ou les cheveux enroulés autour de la brosse rotative. Évitez d'endommager ou de couper les soies.

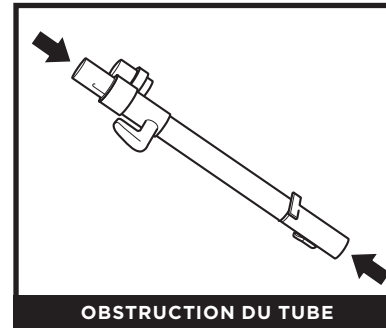
ENTRETIEN DU CORDON



Pour minimiser les risques d'endommager le cordon d'alimentation, **NE PASSEZ PAS** l'aspirateur sur le cordon d'alimentation. Si cela se produit, mettez immédiatement l'appareil hors tension et retirez le cordon de la brosse rotative ou de la tête motorisée.

1. **NE TIREZ PAS OU NE TENEZ PAS** l'aspirateur par le câble, ou encore n'utilisez pas le câble comme une anse.
2. **NE DÉBRANCHEZ PAS** en tirant sur le cordon d'alimentation. Pour le débrancher, tenez la fiche, et non le câble.
3. **NE COINCEZ PAS** le cordon dans une porte.
4. **NE TIREZ PAS** sur le cordon dans les angles aigus.
5. **NE LAISSEZ PAS** le cordon près de surfaces chauffées.

VÉRIFICATION DE LA PRÉSENCE D'OBSTRUCTIONS



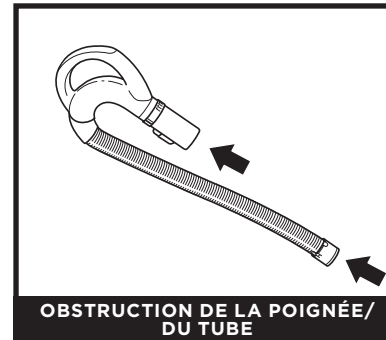
OBSTRUCTION DU TUBE

Détachez le tube de la tête motorisée et de la poignée, puis vérifiez les deux extrémités pour trouver la source du blocage.



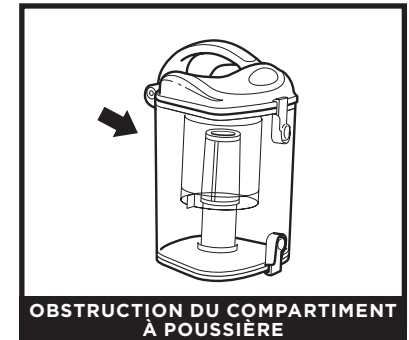
OBSTRUCTION DE LA TÊTE D'ASPIRATEUR

Détachez le tube. Retirez le bas du tube du connecteur, puis déverrouillez le haut du tube en serrant les languettes. Vérifiez le tube et les extrémités pour trouver la source du blocage.



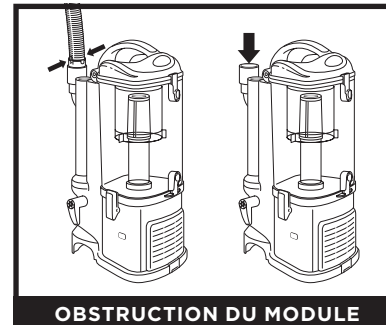
OBSTRUCTION DE LA POIGNÉE/ DU TUBE

Détachez la poignée du tube, et le tube du module de l'aspirateur, puis vérifiez les extrémités pour trouver la source du blocage.



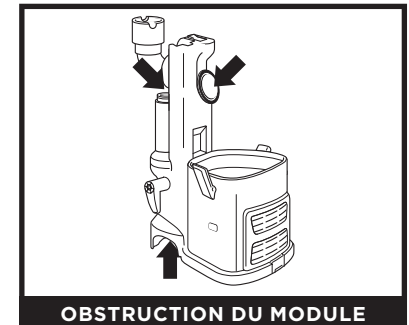
OBSTRUCTION DU COMPARTIMENT À POUSSIÈRE

Détachez le compartiment à poussière du module d'aspirateur. Videz le compartiment à poussière, retirez les débris du filtre à charpie et vérifiez s'il y a des blocages.



OBSTRUCTION DU MODULE

Détachez le tube du module, puis vérifiez les extrémités pour trouver la source du blocage.



OBSTRUCTION DU MODULE

Détachez le compartiment à poussière du module de l'aspirateur, puis vérifiez les extrémités pour trouver la source du blocage.

ACCESSOIRES DISPONIBLES

A Suceur plat

Nettoyez les coins, les espaces restreints, les plinthes et le plafond grâce à cet outil mince.

B Outil à meubles

Ramasse les cheveux, la poussière et les gros débris des matelas, des canapés, des rideaux, des abat-jour et d'autres tissus délicats et rembourrés.

C Brosse à épousseter

Cette brosse époussette et nettoie les surfaces délicates. Idéal pour les ventilateurs, les stores, les abat-jours et les claviers.

D Brosse à épousseter anti-allergène

Cette brosse est dotée de poils en fibres de nylon spécialement conçus pour éliminer la poussière fine et les particules allergènes des surfaces les plus délicates.

E Brosse électrique pour animaux

Cette brosse à turbine déloge et retire les poils d'animaux des tapis tout en nettoyant en profondeur les squames des meubles et de d'autres surfaces.

F Trousse de détail pour la maison et l'automobile

Nettoyez votre voiture comme un professionnel ou nettoyez les zones difficiles d'accès dans votre maison.

Les très petits outils vous permettent de nettoyer autour d'objets délicats et d'accéder aux espaces les plus étroits, comme les événements d'aération de voiture et les claviers d'ordinateur.

G Dépoussiéreur et suceur plat

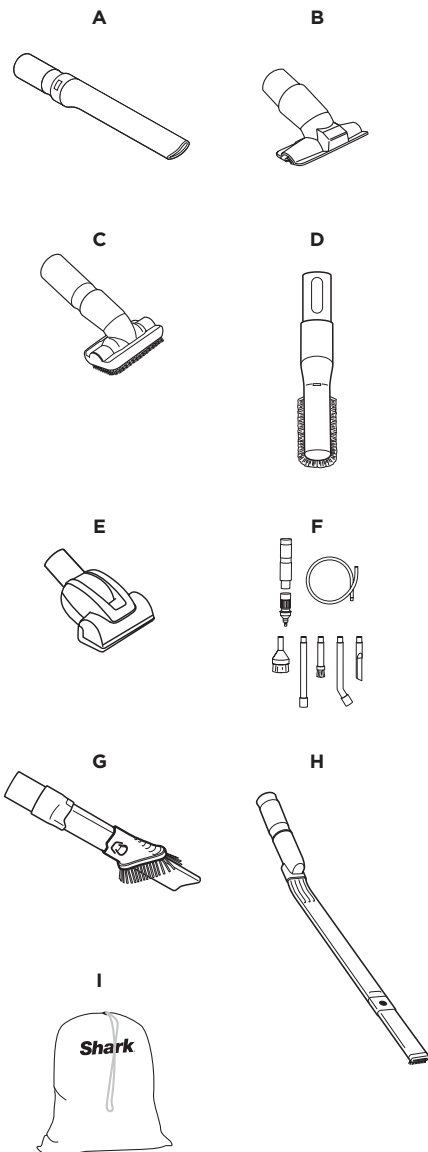
Deux outils de nettoyage en un. Ce suceur plat vous offre une plus grande portée pour nettoyer les endroits restreints, tandis que la brosse douce est parfaite pour enlever la poussière des surfaces fragiles.

H Tube pour l'espace sous les meubles

Nettoyez sous les meubles difficiles à déplacer et derrière ceux-ci grâce à cet outil ajustable de 91,4 cm. Inversez la rallonge pour nettoyer sous les électroménagers.

I Grand sac pour accessoires

Ce sac de rangement pratique pour accessoires mesure 32 cm par 70 cm et est compatible avec le tube pour l'espace sous les meubles. Vous pouvez acheter un sac plus petit au sharkaccessories.com.



REMARQUE : Tous les accessoires ne sont pas fournis avec tous les appareils. Pour obtenir la liste des accessoires inclus avec ce modèle, reportez-vous au rabat intérieur du haut de la boîte. Pour commander des accessoires supplémentaires, rendez-vous sur sharkaccessories.com.

DÉPANNAGE

Si le cordon d'alimentation reste coincé dans la brosse rotative ou la tête d'aspirateur.

- Pour éviter le plus possible d'endommager le cordon d'alimentation, NE PASSEZ PAS l'aspirateur sur le cordon d'alimentation. Si cela se produit, coupez immédiatement l'alimentation de l'aspirateur et retirez le cordon de la brosse rotative ou de la tête d'aspirateur.
- Vérifiez si le cordon d'alimentation et la fiche sont endommagés avant d'utiliser l'aspirateur. N'UTILISEZ PAS un aspirateur dont la fiche ou le cordon est endommagé. Éteignez toutes les commandes avant de brancher ou de débrancher l'aspirateur. Rangez votre aspirateur avec le cordon d'alimentation enroulé autour des deux crochets.

L'aspirateur n'aspire pas les débris. Aucune aspiration ou faible aspiration.

- Vérifiez les filtres pour voir s'ils doivent être nettoyés. Suivez les instructions pour rincer et sécher les filtres à l'air libre avant de les réinstaller.
- Si le compartiment à poussière est plein, videz-le.
- Retirez toute obstruction du tube, des raccords de tube, de la tête d'aspirateur, du module ou des accessoires. Voir la section Vérifier que les ouvertures ne sont pas obstruées pour plus de renseignements.
- Si des cheveux sont enroulés autour de la brosse rotative, continuez tout de même d'utiliser l'aspirateur. Cela permettra à la brosse rotative autonettoyante d'enlever les cheveux et de les envoyer dans le compartiment à poussière. Si des fibres restent enroulées autour de la brosse rotative après une utilisation continue, enlevez-les.

L'aspirateur soulève les tapis.

- Assurez-vous que l'interrupteur d'alimentation/de sélection de surface est réglé à Plancher dur (réglage I).
- L'appareil a une forte puissance d'aspiration. Faites attention lorsque vous passez l'aspirateur sur les tapis décoratifs ou les tapis à bordure cousue délicatement.
- Pour réduire la puissance d'aspiration, faites glisser la bague de commande d'aspiration à la position MIN. Voir la section Puissance d'aspiration pour plus de renseignements.

La brosse rotative ne tourne pas.

- Si le voyant de la brosse rotative est rouge, éteignez immédiatement l'aspirateur et débranchez-le. Retirez le boîtier de la tête d'aspirateur et dégagez les obstructions. Réinstallez la tête d'aspirateur, branchez l'aspirateur et mettez-le sous tension.
- Lorsque l'appareil est en marche, inclinez la poignée pour activer automatiquement la brosse rotative.

L'aspirateur se met hors tension tout seul ou le voyant clignote en rouge.

Si votre aspirateur surchauffe, le thermostat éteint automatiquement le moteur. Suivez ces étapes pour procéder au redémarrage :

1. Éteignez l'aspirateur et débranchez-le.
2. Videz le compartiment à poussière et nettoyez les filtres (voir les sections Vidange du compartiment à poussière et Nettoyage des filtres).
3. Vérifiez s'il y a des obstructions dans le flexible, le tube, la tête d'aspirateur, les accessoires et les ouvertures d'entrées.
4. Laissez l'appareil refroidir pendant au moins 60 minutes.
5. Branchez l'aspirateur et allumez-le.

Pour tout autre problème, consultez le sharkclean.com/support.

GARANTIE LIMITÉE DE CINQ (5) ANS

La garantie limitée de (5) ans s'applique aux achats effectués auprès de détaillants autorisés de **SharkNinja Operating LLC**. La garantie s'applique uniquement au premier propriétaire et au produit original et n'est pas transférable.

SharkNinja garantit ce produit contre toute défectuosité de matériau ou de main-d'œuvre pour une période de cinq (5) ans à compter de la date d'achat, dans le cadre d'un usage domestique normal et si le produit est entretenu conformément aux exigences décrites dans le guide de l'utilisateur, sous réserve des conditions et exclusions ci-dessous :

Qu'est-ce qui est couvert par cette garantie?

1. L'appareil d'origine ou les composants non soumis à l'usure considérés comme défectueux, à la seule discrétion de SharkNinja, seront réparés ou remplacés jusqu'à cinq (5) ans à compter de la date d'achat initiale.
2. En cas de remplacement de l'appareil, la couverture de la garantie se termine six (6) mois après la date de réception de l'appareil de remplacement ou pendant le reste de la garantie existante, selon la dernière éventualité. SharkNinja se réserve le droit de remplacer la pièce par une autre de valeur égale ou supérieure.

Qu'est-ce qui n'est pas couvert par cette garantie?

1. Les pièces soumises au processus normal d'usure (comme les filtres en mousse, les filtres HEPA, les tampons, entre autres), qui exigent un entretien ou un remplacement périodique afin d'assurer le bon fonctionnement de l'appareil, ne sont pas couvertes par cette garantie. Vous pouvez acheter des pièces de rechange sur le site **sharkaccessories.com**.
2. Toute pièce qui a été altérée ou utilisée à des fins commerciales.
3. Les dommages causés par une mauvaise utilisation (par exemple, en aspirant de l'eau ou d'autres liquides), une utilisation abusive, une manipulation négligente, un non-respect de l'entretien requis (par exemple, ne pas nettoyer les filtres ou retirer des débris de la brosse rotative) ou des dommages dus à une mauvaise manipulation pendant le transport.
4. Les dommages indirects et accidentels.
5. Les défauts causés par des réparateurs non autorisés par SharkNinja. Ces défauts incluent les dommages causés lors de l'expédition, de la modification ou de la réparation du produit SharkNinja (ou de l'une de ses pièces) lorsque la réparation est effectuée par un réparateur non autorisé par SharkNinja.
6. Les produits achetés, utilisés ou mis en fonction à l'extérieur de l'Amérique du Nord.

Comment obtenir du service

Si votre appareil ne fonctionne pas correctement lorsqu'il est utilisé dans un cadre domestique normal pendant la période de garantie, veuillez consulter le site **sharkclean.com/support** pour obtenir de l'assistance. Nos spécialistes du service clientèle sont également disponibles au **1-800-798-7398** pour vous assister en cas de problèmes liés aux produits et aux options de service de garantie, notamment la possibilité de passer à nos options de service de garantie VIP pour certaines catégories de produits. Pour que nous puissions mieux vous aider, veuillez enregistrer votre produit en ligne sur registryourshark.com et avoir le produit sous la main lorsque vous appelez.

SharkNinja prendra en charge les frais d'envoi de l'appareil par le client pour réparation ou remplacement. Un montant de 25,95\$ (sous réserve de modification) sera facturé lorsque SharkNinja expédiera l'appareil réparé ou remplacé.

Comment présenter une demande de service sous garantie

Vous devez composer le **1-800-798-7398** pour soumettre une réclamation sous garantie. Vous aurez besoin du reçu comme preuve d'achat. Nous vous demandons aussi d'enregistrer votre produit en ligne sur le site registryourshark.com et d'avoir le produit sous la main lorsque vous appelez pour que nous puissions mieux vous aider. Un spécialiste du service clientèle vous fournira des renseignements sur l'emballage et le retour du produit.

De quelle manière les lois d'État s'appliquent-elles?

Cette garantie vous donne des droits légaux spécifiques, et vous pouvez également avoir d'autres droits qui varient d'un état à l'autre. Certains États n'acceptent pas l'exclusion ou la limitation de dommages accessoires ou indirects, de sorte que les dispositions ci-dessus peuvent ne pas s'appliquer à votre cas.

ENREGISTREZ VOTRE ACHAT



registryourshark.com



Lisez le code QR à l'aide de votre appareil mobile



CONSIGNEZ LES RENSEIGNEMENTS CI-DESSOUS

Numéro de modèle : _____

Numéro de série : _____

Date d'achat : _____
(Conservez le reçu)

Magasin où l'achat a été effectué : _____

CARACTÉRISTIQUES TECHNIQUES

Voltage : 120 V~ 60 Hz

Watts : 1200 W

Voici les avantages d'enregistrer votre produit et de créer un compte :

- Une assistance sur les produits plus rapide et plus simple et un accès aux informations de garantie
- Un accès aux instructions de dépannage et d'entretien du produit
- Un accès privilégié aux promotions exclusives sur les produits

CONSEIL : Le numéro de modèle et le numéro de série se trouvent sur l'étiquette de code QR au bas du panneau arrière de la vadrouille à vapeur.

PLEASE READ CAREFULLY AND KEEP FOR FUTURE REFERENCE.

This Owner's Guide is designed to help you get a complete understanding of your new Shark Navigator® Lift-Away® Upright Vacuum.

SharkNinja Operating LLC
US: Needham, MA 02494
CAN: Ville St-Laurent, QC H4S 1A7

1-800-798-7398
sharkclean.com

Illustrations may differ from actual product. We are constantly striving to improve our products; therefore the specifications contained herein are subject to change without notice.

For SharkNinja U.S. Patent information, visit sharkninja.com/patents

VEUILLEZ LIRE ATTENTIVEMENT LE PRÉSENT DOCUMENT ET LE CONSERVER À TITRE DE RÉFÉRENCE.

Ce guide de l'utilisateur est conçu pour vous aider à bien comprendre votre nouvel aspirateur vertical Shark Navigator® Lift-Away®.

SharkNinja Operating LLC
ÉTATS-UNIS : Needham, MA 02494
CANADA : Ville St-Laurent (Québec) H4S 1A7

1 800 798-7398
sharkclean.com

Les illustrations peuvent différer du produit réel. Nous nous efforçons constamment d'améliorer nos produits; par conséquent, les spécifications contenues dans le présent document sont susceptibles d'être modifiées sans préavis.

Pour obtenir des renseignements sur les brevets américains de SharkNinja, rendez-vous sur sharkninja.com/patents/

© 2023 SharkNinja Operating LLC. LIFT-AWAY, NAVIGATOR, POWERED LIFT-AWAY, and SHARK are registered trademarks of SharkNinja Operating LLC.

© 2023 SharkNinja Operating LLC. LIFT-AWAY, NAVIGATOR, POWERED LIFT-AWAY, et SHARK sont des marques de commerce déposées de SharkNinja Operating LLC.

