

Shark

**Rotator® Lift-Away® Upright
Vacuum with PowerFins™
and Self-Cleaning Brushroll**

**Rotator® Lift-Away® Aspirateur
avec PowerFins™ et brosse
rotative autonettoyante**

**Rotator® Lift-Away®
Aspire con PowerFins™
y cepillo giratorio de autolimpieza**

ZD400 Series • Séries • Serie

**OWNER'S GUIDE
GUIDE DE L'UTILISATEUR
GUÍA DEL USUARIO**

duoclean® **POWERFINS**



IMPORTANT SAFETY INSTRUCTIONS

FOR HOUSEHOLD USE ONLY

⚠ WARNING

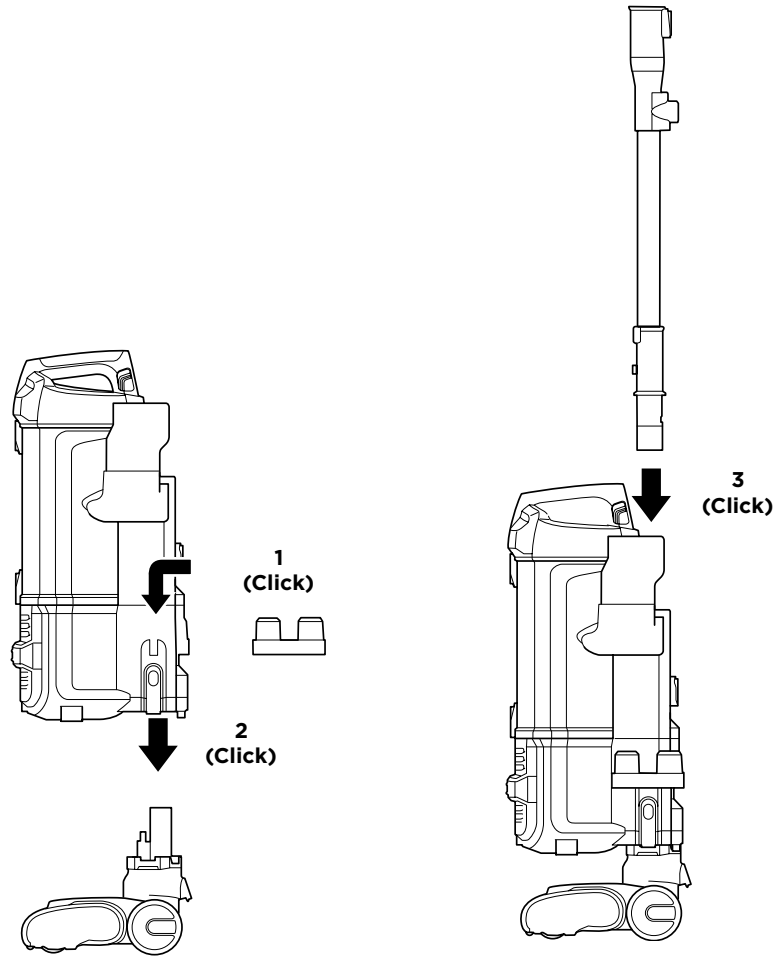
To reduce the risk of fire, electric shock, injury, or property damage, when using an electrical appliance, basic precautions should always be followed, including the following:

READ ALL INSTRUCTIONS BEFORE USING THIS VACUUM

1. Inspect power cord and plug for any damage before use. **DO NOT** use vacuum cleaner with a damaged cord or plug. Turn off all controls before plugging in or unplugging the vacuum cleaner. Store your vacuum cleaner with the power cord secured around the two cord hooks. To minimize the risk of power cord damage, do not allow the motorized brush roll to ingest the cord. If this occurs, immediately shut off power to the vacuum and remove the cord.
 2. This appliance has a polarized plug, if the plug does not fit fully into the outlet, reverse the plug (one blade is wider than the other). If it still does not fit, contact a qualified electrician. **DO NOT** force into outlet or try to modify to fit.
 3. Your vacuum cleaner may consist of a motorized nozzle, wand, hose, and/or vacuum pod. This device contains electrical connections, electrical wiring, and moving parts that potentially present risk to the user.
 4. Use only identical replacement parts.
 5. Carefully observe and follow the instructions provided below to avoid improper use of the appliance. **DO NOT** use the vacuum for any purpose other than those described in this manual.
 6. Before use, carefully inspect all parts for any damage. **DO NOT** use if any parts are damaged.
 7. The use of an extension cord is **NOT** recommended.
 8. This vacuum cleaner contains no serviceable parts.
 9. This appliance can be used by persons with reduced physical, sensory or mental capabilities or lack of experience and knowledge if they have been given supervision or instruction concerning use of the appliance in a safe way and understand the hazards involved. Cleaning and user maintenance shall not be made by children. Keep the appliance and its cord out of reach of children. **DO NOT** allow the appliance to be used by children. **DO NOT** allow to be used as a toy. Close supervision is necessary when used near children.
 10. Always turn off the vacuum cleaner before connecting or disconnecting any motorized nozzles or other accessories.
 11. **DO NOT** handle plug or vacuum cleaner with wet hands.
 12. **DO NOT** use without filters in place.
 13. Only use Shark® branded filters and accessories.
 14. **DO NOT** damage the power cord:
 - a) **DO NOT** pull or carry vacuum cleaner by the cord or use the cord as a handle.
 - b) **DO NOT** unplug by pulling on cord. Grasp the plug, not the cord.
 - c) **DO NOT** run the vacuum cleaner over the power cord, close a door on the cord, pull the cord around sharp corners, or leave the cord near heated surfaces.
 15. **DO NOT** put any objects into nozzle or accessory openings. **DO NOT** use with any opening blocked; keep free of dust, lint, hair, and anything that may reduce airflow.
 16. **DO NOT** use if nozzle or accessory airflow is restricted. If the air paths or the motorized floor nozzle become blocked, turn the vacuum cleaner off and unplug from electrical outlet. Remove all obstructions before you plug in and turn on the unit again.
 17. Keep nozzle and all vacuum openings away from hair, face, fingers, uncovered feet, or loose clothing.
 18. **DO NOT** use if vacuum cleaner is not working as it should, or has been dropped, damaged, left outdoors, or dropped into water.
 19. Use extra care when cleaning on stairs.
 20. **DO NOT** leave the vacuum cleaner unattended while plugged in.
 21. When powered on, keep the vacuum cleaner moving over the carpet surface at all times to avoid damaging the carpet fibers.
 22. **DO NOT** place vacuum cleaner on unstable surfaces such as chairs or tables.
 23. Your Shark® vacuum may not be designed to stand up on its own. When taking a break from cleaning, you may need to lean it against furniture or a wall, or lay it flat on the floor. Using the vacuum for an application where the unit lacks stability may result in personal injury.
 24. **DO NOT** use to pick up:
 - a) Liquids
 - b) Large objects
 - c) Hard or sharp objects (glass, nails, screws, or coins)
 - d) Large quantities of dust (drywall dust, fireplace ash, or embers). **DO NOT** use as an attachment to power tools for dust collection.
 - e) Smoking or burning objects (hot coals, cigarette butts, or matches)
 - f) Flammable or combustible materials (lighter fluid, gasoline, or kerosene)
 - g) Toxic materials (chlorine bleach, ammonia, or drain cleaner)
- 25. DO NOT** use in the following areas:
- a) Poorly lit areas
 - b) Wet or damp surfaces
 - c) Outdoor areas
 - d) Spaces that are enclosed and may contain explosive or toxic fumes or vapors (lighter fluid, gasoline, kerosene, paint, paint thinners, mothproofing substances, or flammable dust)
26. Turn off all controls before plugging in or unplugging the vacuum.
 27. Unplug from electrical outlet when not in use and before any maintenance or cleaning.
 28. Hand wash with water only. Washing with cleaning chemicals could damage the unit.
 29. During cleaning or routine maintenance, **DO NOT** cut anything other than hair, fibers, or string wrapped around the brushroll.
 30. Allow all filters to air-dry completely before replacing in the vacuum to prevent liquid from being drawn into electric parts.
 31. Make sure the dust cup and all filters are in place after routine maintenance.
 32. If provided, secure the power cord around the two cord hooks during storage.

SAVE THESE INSTRUCTIONS

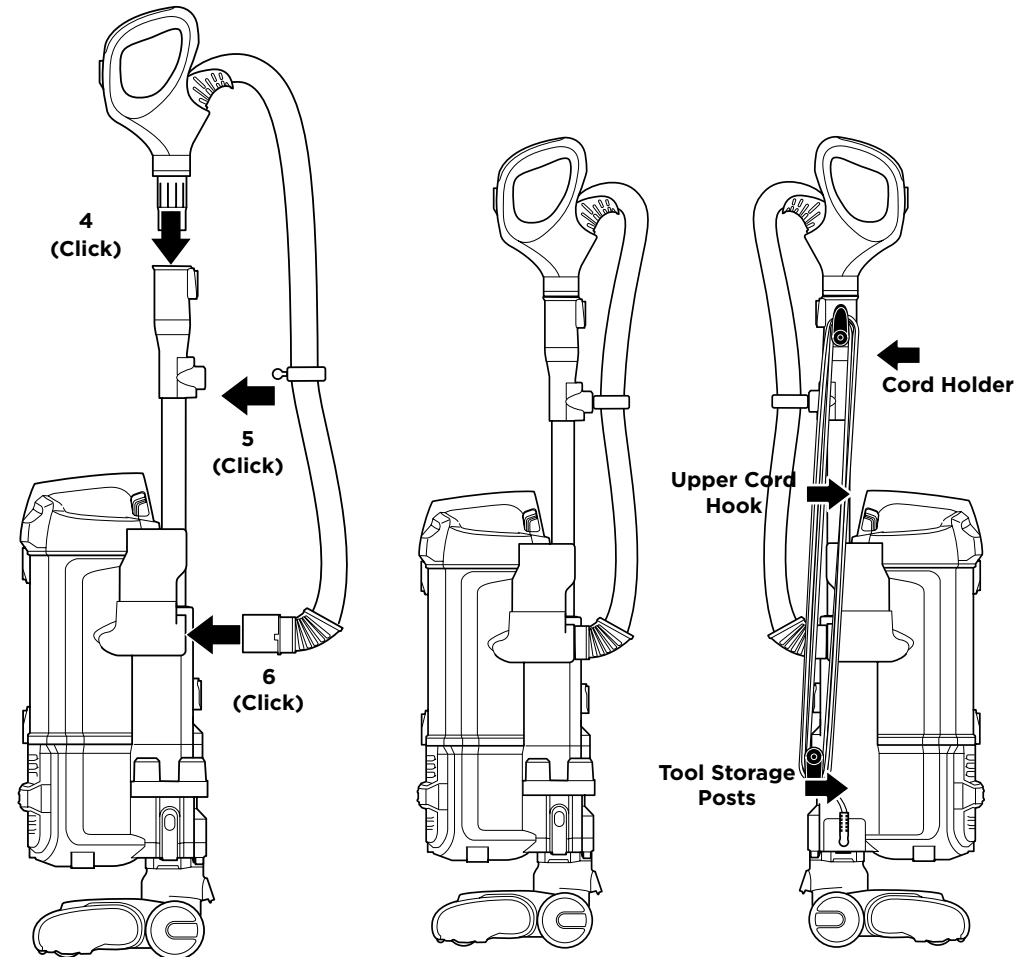
ASSEMBLY



1. Insert **Double Accessory Holder** into the side of **Pod** above the **Lift-Away Button**.
2. Place pod onto **Floor Nozzle Post**.
3. Insert **Wand** into pod.
4. Insert **Handle** into wand.
5. Attach **Hose Clip** to wand.
6. Connect **Hose** to back of pod.

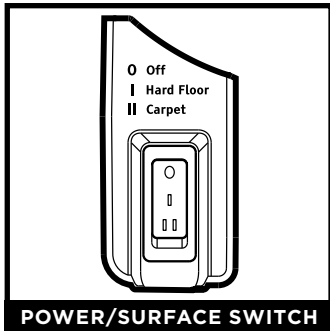
IMPORTANT: For proper operation, ensure all parts are firmly clicked into place.

ASSEMBLY



WHOLE-HOME CLEANING

SETTINGS

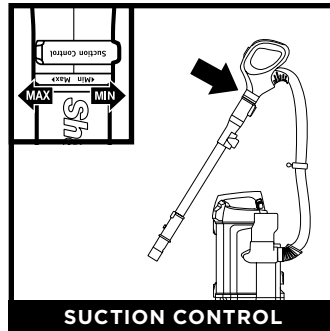


POWER/SURFACE SWITCH

Select surface setting:

- Off**
- I Hard Floor**
For bare floors and small area rugs.
- II Carpet**
For carpets.

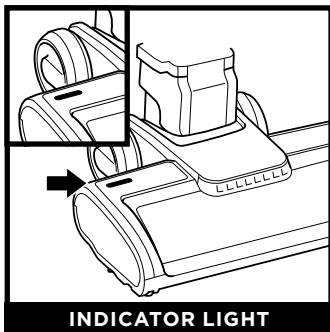
NOTE: Brushroll spins in all modes.



SUCTION CONTROL

Suction Control offers variable suction based on your needs. Slide to **MIN** to reduce suction and increase maneuverability on carpets. Slide to **MAX** to increase suction on bare floors.

BRUSHROLL INDICATOR LIGHT



INDICATOR LIGHT

WHAT DOES THE BRUSHROLL INDICATOR LIGHT MEAN?

Solid Green: The brushroll is spinning and working as it should.

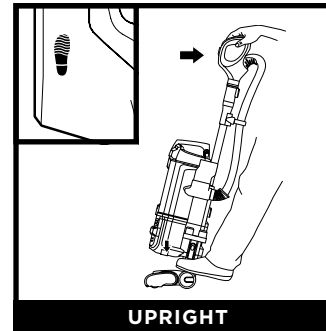
Solid Red: There is a jam in the brushroll area. Turn your vacuum off, unplug from the wall and remove any blockages in the nozzle.

Flashing Red: The motorized floor nozzle is overheating. Turn off the vacuum, unplug it, and remove any blockages. Let the vacuum cool down for at least 60 minutes before restarting. See Troubleshooting section for more information.

NOTE: For deep carpet cleaning per ASTM F608 (embedded dirt in carpets), use Carpet setting and set suction control to MAX.

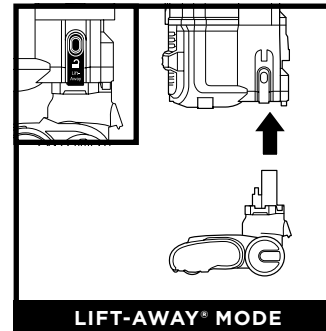
WHOLE-HOME CLEANING

CLEANING MODES



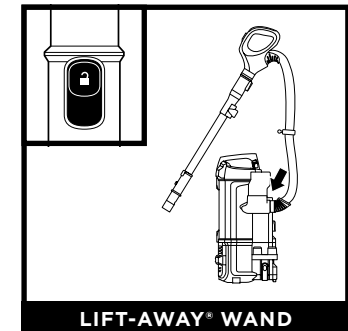
UPRIGHT

To engage brushroll, turn power on, then step on floor nozzle and tilt handle back.



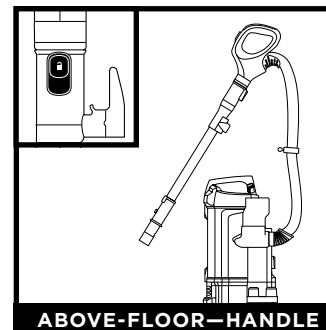
LIFT-AWAY® MODE

Press the **Lift-Away** button to detach the pod from the floor nozzle.



LIFT-AWAY® WAND

With the pod removed, press the **Wand Release** button to detach the wand from the pod.

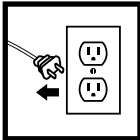


ABOVE-FLOOR-HANDLE

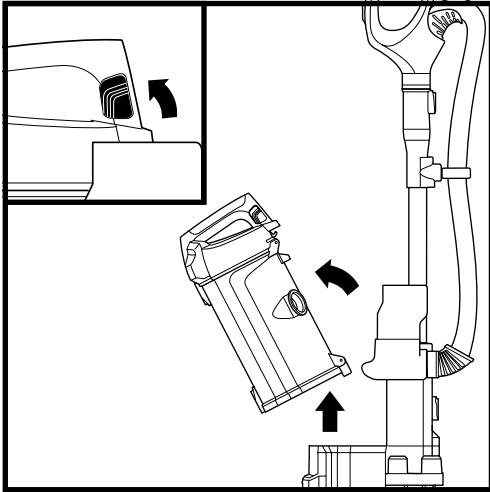
Press the **Handle Release** button on the back of the wand to detach the handle from the wand.

NOTE: All accessories are compatible with both the wand and the handle.

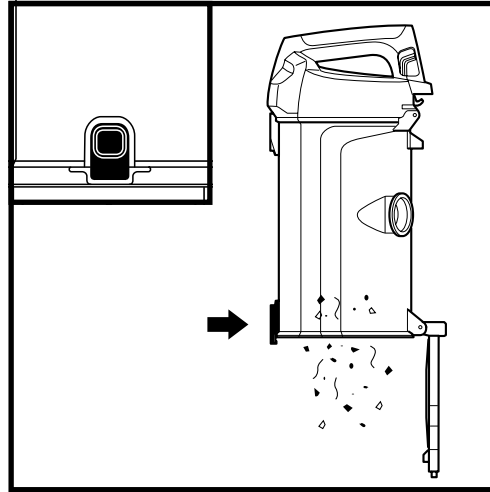
EMPTYING THE DUST CUP



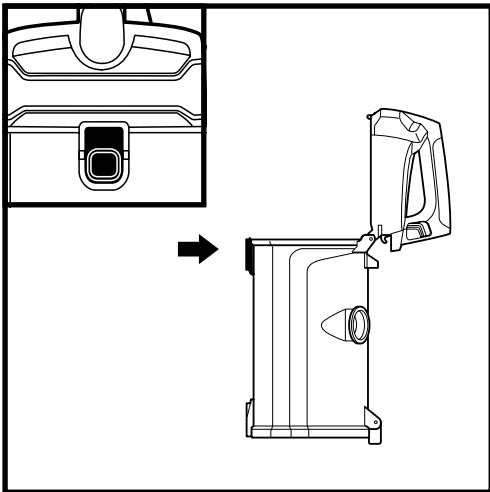
IMPORTANT: Unplug the power cord before performing any maintenance. Empty the dust cup each time you vacuum and periodically during cleaning, when debris in the dust cup reaches the MAX fill line.



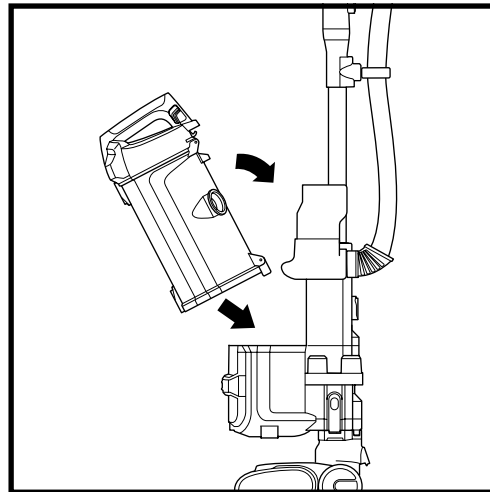
To remove **Dust Cup**, lift tabs on both sides of dust cup handle. Tilt dust cup, then lift to remove.



To empty debris into trash, press lower release button and bottom of dust cup will drop open.



To remove collected debris from **Lint Screen**, press top release button and lift handle to open. Gently brush lint screen to clean.



To reinstall, place bottom of dust cup into pod and then tilt until it clicks into place.

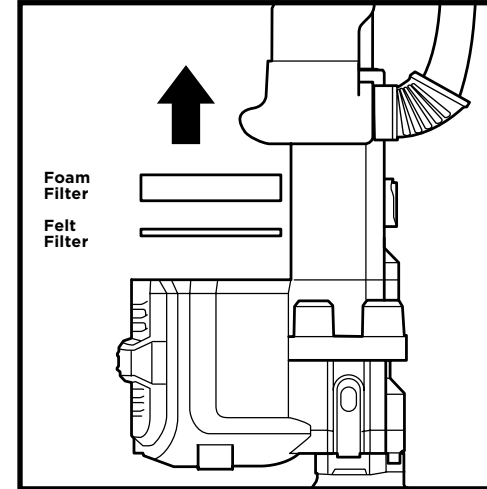
CLEANING AND REPLACING THE FILTERS

CLEANING FILTERS

Regularly clean and replace the filters to keep your vacuum's suction power optimal.

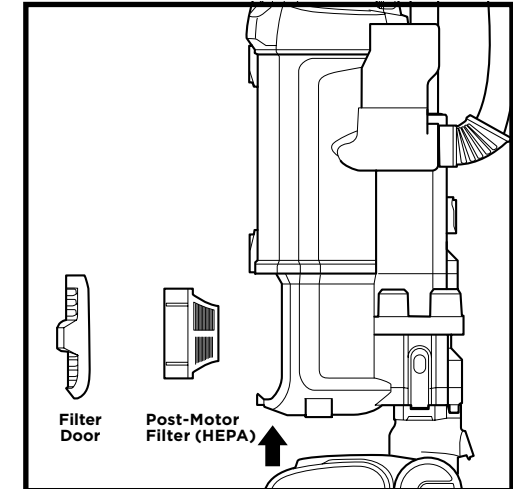
To clean filters, rinse with cold water **ONLY** to prevent damage from cleaning chemicals. Allow all filters to air-dry for at least 24 hours before reinstalling them to prevent liquid from being drawn into electric parts.

IMPORTANT: DO NOT use soap when cleaning the filters.



CLEAN PRE-MOTOR FILTERS EVERY 3 MONTHS

Remove **Dust Cup**, then lift out **Filters**.

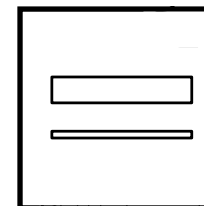


CLEAN HEPA FILTER EVERY YEAR

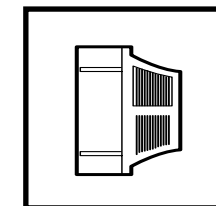
Press button at bottom of **Filter Door**. Tilt filter door and lift out. Remove **HEPA Filter**. To reinstall, insert HEPA filter into unit and replace the filter door.

REPLACING FILTERS

Follow instructions for removing filters. The **Pre-Motor Filter** should be replaced every 2.5 years. The **HEPA Filter** should be replaced every 3 years.



Replacement Pre-Motor Foam s& Felt Filter Kit
XFFKZD400



Replacement HEPA Filter
XHFZD400

NOTE: To order replacement parts and filters, visit sharkaccessories.com.

MAINTENANCE

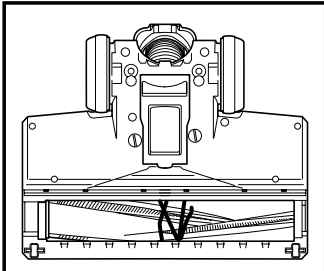
NOZZLE MAINTENANCE

SELF-CLEANING BRUSHROLL

If any hair is wrapped around the brushroll, continue vacuuming, using setting II, Carpet mode, on a bare floor surface, a low-pile carpet, or a small area rug. This will allow the self-cleaning brushroll to remove the hair wrap and send it to the dust cup.

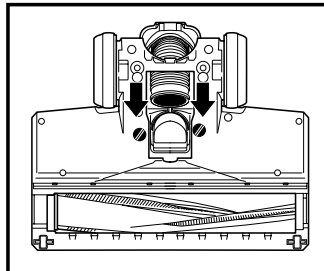
If you run over a hard or sharp object or notice a noise change while vacuuming, check for blockages or objects caught in the brushroll.

If some fibers remain wrapped around the brushroll after continued use, clear them from the brushroll.



DEBRIS WRAPPED AROUND BRUSHROLL

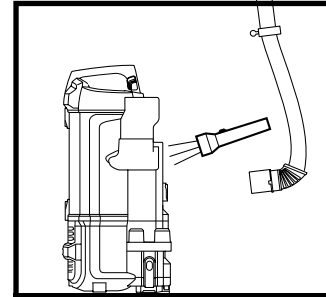
Clean off any debris on the brushroll.



DEBRIS IN NOZZLE HOSE

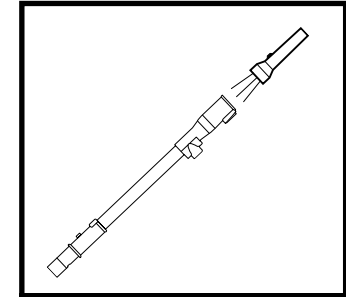
To clear debris and blockages from the nozzle hose, open the locks on the bottom of the nozzle. With a coin, turn the locks counterclockwise to open, then lift the cover.

CHECKING FOR BLOCKAGES



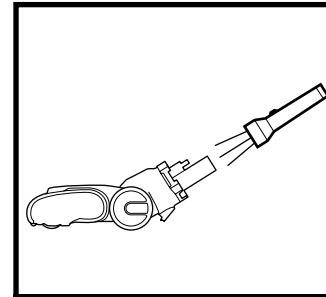
HOSE BLOCKAGES

Detach hose from vacuum pod, and check hose and opening on back of pod for blockages.



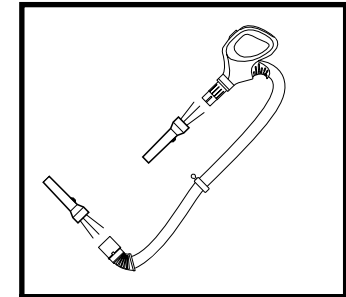
WAND BLOCKAGES

Detach wand from floor nozzle and handle, and check both ends for blockages.



NOZZLE BLOCKAGES

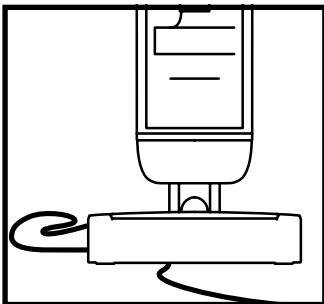
Check the opening at the top of the nozzle for any blockages.



HANDLE/HOSE BLOCKAGES

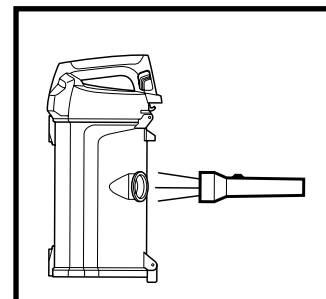
Detach handle from wand and hose from vacuum pod, and check openings for blockages.

CORD MAINTENANCE



To minimize the risk of power cord damage, **DO NOT** run the vacuum over the power cord. If this occurs, immediately shut off power to the vacuum and remove the cord from the brushroll or nozzle.

1. **DO NOT** pull or carry vacuum cleaner by the cord or use cord as a handle.
2. **DO NOT** unplug by pulling on the cord. Grasp the plug, not the cord.
3. **DO NOT** close the door on the cord.
4. **DO NOT** pull the cord around sharp corners.
5. **DO NOT** leave the cord near heated surfaces.



DUST CUP BLOCKAGES

Detach dust cup from vacuum pod. Empty dust cup, remove debris from lint screen, and check for blockages.

AVAILABLE ACCESSORIES

A Crevice Tool

Clean in corners and other tight spaces or reach baseboards and ceilings with this slim crevice tool.

B Upholstery Tool

Picks up pet hair, dust, and large debris from mattresses, couches, curtains, and other delicate upholstered fabrics.

C Pet Power Brush

The turbine brush loosens and removes pet hair and debris from carpets, and powerfully deep-cleans dander out of upholstery and other surfaces.

D Dusting Brush

This brush dusts and cleans delicate surfaces. Great for use on fans, blinds, lampshades, and keyboards.

E Under-Appliance Wand

Clean under and behind hard-to-move appliances and furniture with this adjustable 36" tool. Flip the extension piece over to clean the underside of appliances.

F Home & Car Detail Kit

Deep-clean your car like a professional detailer, or clean hard-to-reach areas in your home. Micro-sized tools let you clean around delicate objects and access the tightest spaces like car vents and computer keyboards. Zipper pouch and instruction sheet included.

G Pet Crevice Tool

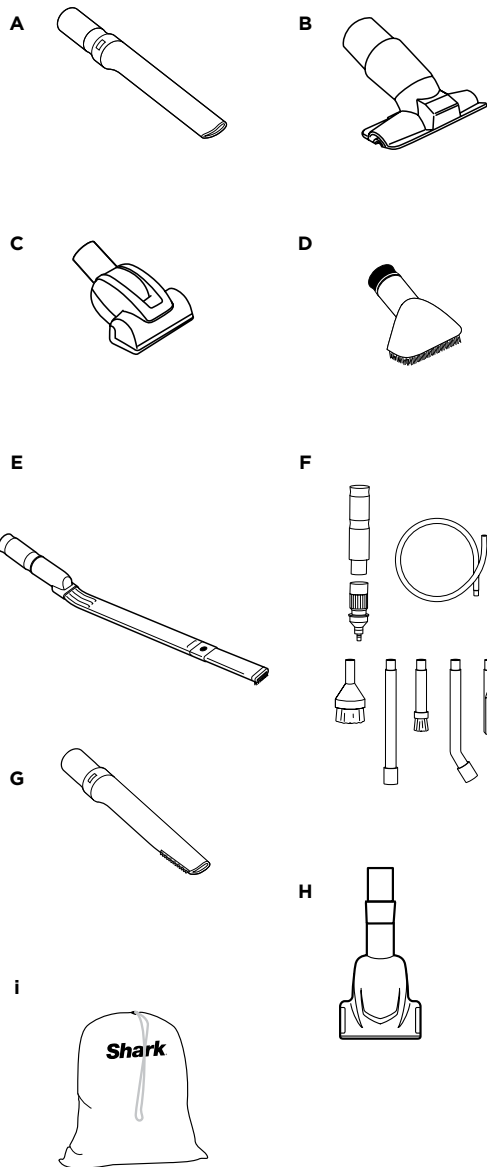
This versatile, slender tool removes pet hair from hard-to-reach spaces like corners, ceilings, and between couch cushions.

H Self-Cleaning Pet Power Brush

Tackles pet hair and ground-in dirt from above-floor areas like carpeted stairs and upholstery, while actively removing hair wrap as it cleans.

I Accessory Bag

This convenient accessory storage bag measures 32 cm x 70 cm and fits the Under-Appliance Wand. Smaller size available at sharkaccessories.com.



TROUBLESHOOTING

Power cord caught in brushroll or floor nozzle.

- To minimize the risk of power cord damage, DO NOT run the vacuum over the power cord. If this occurs, immediately shut off power to the vacuum and remove the cord from the brushroll or nozzle.
- Inspect power cord and plug for any damage before use. DO NOT use vacuum cleaner with a damaged cord or plug. Turn off all controls before plugging in or unplugging the vacuum cleaner. Store your vacuum cleaner with the power cord secured around the two cord hooks.

Vacuum is not picking up debris. No suction or light suction.

- Check filters to see if they need cleaning. Follow instructions for rinsing and air-drying the filters before reinstalling them.
- Dust cup may be full; empty dust cup.
- Check hose, hose connections, nozzle, wand, pod, and accessories for blockages. Clear any blockages found. See Checking for Blockages section for more information.
- If any hair, string, or carpet fibers are wrapped around the brushroll, continue cleaning to allow the self-cleaning brushroll to remove them. If some hair or fibers remain wrapped around brushroll after continued use, open the brushroll cover on the bottom of the floor nozzle and carefully remove them. See Cleaning the Brushroll section for more information.

Vacuum lifts area rugs.

- Make sure Power/Surface switch is set to Hard Floor (setting I).
- Suction is powerful. Take care when vacuuming area rugs or rugs with delicately sewn edges.
- To minimize suction, slide Suction Control to MIN.

Brushroll does not spin.

- If the Brushroll Indicator Light turns red, immediately turn off and unplug the vacuum. Remove pod from floor nozzle and clear any blockages. Reconnect nozzle, plug in vacuum, and turn on power.
- With the power on, recline the handle, which will automatically turn on the brushroll. Ensure that the Power/Surface switch is set to Carpet (position II) for brushroll to spin.

Vacuum turns off on its own or indicator light flashes red.

If your vacuum overheats, the thermostat will automatically turn off the motor. Follow these steps to restart:

- Turn vacuum off and unplug it.
- Empty dust cup and clean filters (see Emptying the Dust Cup and Cleaning the Filters).
- Check for blockages in hose, accessories, and inlet openings.
- Allow unit to cool for a minimum of 60 minutes.
- Plug in vacuum and turn it on with the Power/Surface switch.

NOTE: Not all accessories come with all units. For a list of the accessories included with this model, see the top inside flap of the box. To order additional accessories, visit sharkaccessories.com.

For all other issues, please visit our website at sharkclean.com/support.

FIVE (5) YEAR LIMITED WARRANTY

The Five (5) Year Limited Warranty applies to purchases made from authorized retailers of **SharkNinja Operating LLC**. Warranty coverage applies to the original owner and to the original product only and is not transferable.

SharkNinja warrants that the unit shall be free from defects in material and workmanship for a period of five (5) years from the date of purchase when it is used under normal household conditions and maintained according to the requirements outlined in the Owner's Guide, subject to the following conditions and exclusions:

What is covered by this warranty?

1. The original unit and/or non-wearable parts deemed defective, in SharkNinja's sole discretion, will be repaired or replaced up to five (5) years from the original purchase date.
2. In the event a replacement unit is issued, the warranty coverage ends six (6) months following the receipt date of the replacement unit or the remainder of the existing warranty, whichever is later. SharkNinja reserves the right to replace the unit with one of equal or greater value.

What is not covered by this warranty?

1. Normal wear and tear of wearable parts (such as foam filters, HEPA filters, pads, etc.), which require regular maintenance and/or replacement to ensure the proper functioning of your unit, are not covered by this warranty. Replacement parts are available for purchase at sharkaccessories.com.
2. Any unit that has been tampered with or used for commercial purposes.
3. Damage caused by misuse (e.g., vacuuming up water or other liquids), abuse, negligent handling, failure to perform required maintenance (e.g., not cleaning the filters), or damage due to mishandling in transit.
4. Consequential and incidental damages.
5. Defects caused by repair persons not authorized by SharkNinja. These defects include damages caused in the process of shipping, altering, or repairing the SharkNinja product (or any of its parts) when the repair is performed by a repair person not authorized by SharkNinja.
6. Products purchased, used, or operated outside North America.

How to get service

If your appliance fails to operate properly while in use under normal household conditions within the warranty period, visit sharkclean.com/support for product care and maintenance self-help. Our Customer Service Specialists are also available at **1-800-798-7398** to assist with product support and warranty service options, including the possibility of upgrading to our VIP warranty service options for select product categories. So we may better assist you, please register your product online at registryyourshark.com and have the product on hand when you call.

SharkNinja will cover the cost for the customer to send in the unit to us for repair or replacement. A fee of \$25.95 (subject to change) will be charged when SharkNinja ships the repaired or replacement unit.

How to initiate a warranty claim

You must call **1-800-798-7398** to initiate a warranty claim. You will need the receipt as proof of purchase. We also ask that you register your product online at registryyourshark.com and have the product on hand when you call, so we may better assist you. A Customer Service Specialist will provide you with return and packing instruction information.

How state law applies

This warranty gives you specific legal rights, and you also may have other rights that vary from state to state. Some states do not permit the exclusion or limitation of incidental or consequential damages, so the above may not apply to you.

REGISTER YOUR PURCHASE



registryyourshark.com



Scan QR code using mobile device



Benefits of registering your product and creating an account:

- Get easier, faster product support and access to warranty information
- Access troubleshooting and product care instructions
- Be among the first to know about exclusive product promotions

TIP: You can find the model and serial numbers on the QR code label which is located on the bottom of the back of the vacuum pod.

RECORD THIS INFORMATION

Model Number: _____

Serial Number: _____

Date of Purchase: _____
(Keep receipt)

Store of Purchase: _____

TECHNICAL SPECIFICATIONS

Voltage: 120 V~, 60 Hz

Watts: 960W

CONSIGNES DE SÉCURITÉ IMPORTANTES

POUR USAGE DOMESTIQUE SEULEMENT

⚠ AVERTISSEMENT

Pour réduire le risque d'incendie, de décharge électrique, de blessure ou de dommages matériels lors de l'utilisation d'un appareil électrique, il faut toujours suivre les précautions de base suivantes :

LISEZ TOUTES LES INSTRUCTIONS AVANT D'UTILISER CET ASPIRATEUR

1. Inspectez le cordon d'alimentation et la fiche pour déceler d'éventuels dommages avant l'utilisation. **N'UTILISEZ PAS** l'aspirateur si le cordon d'alimentation ou la fiche sont endommagés. Fermez toutes les commandes avant de brancher ou de débrancher l'aspirateur. Rangez l'aspirateur en prenant soin d'enrouler le cordon d'alimentation autour des deux crochets à cordon. Pour minimiser le risque d'endommager le cordon d'alimentation, ne laissez pas la brosse rotative motorisée ingérer le cordon. Si cela se produit, coupez immédiatement l'alimentation de l'aspirateur et retirez le cordon.
2. Cet appareil est muni d'une fiche polarisée. Si la fiche ne s'insère pas complètement dans la prise électrique, inversez la fiche (une lame est plus large que l'autre). Si elle ne s'insère toujours pas, communiquez avec un électricien qualifié. **NE FORCEZ PAS** pour insérer la fiche dans la prise et ne tentez pas de la modifier.
3. Votre aspirateur pourrait être composé d'une buse motorisée, d'un tube, d'un tuyau ou d'un réceptacle. Cet appareil comporte des raccordements électriques, du filage électrique et des pièces amovibles pouvant exposer l'utilisateur à certains risques.
4. Utilisez uniquement des pièces de rechange identiques.
5. Respectez et suivez attentivement les instructions ci-dessous afin d'éviter tout usage inadéquat de l'appareil. **N'UTILISEZ PAS** l'aspirateur pour un usage autre que ceux décrits dans le présent manuel.
6. Avant d'utiliser l'appareil, inspectez soigneusement toutes les pièces afin de déceler tout dommage. **NE L'UTILISEZ PAS** s'il est endommagé.

7. L'utilisation d'une rallonge électrique **N'EST PAS** recommandée.
8. Cet aspirateur ne contient aucune pièce pouvant être réparée par l'utilisateur.

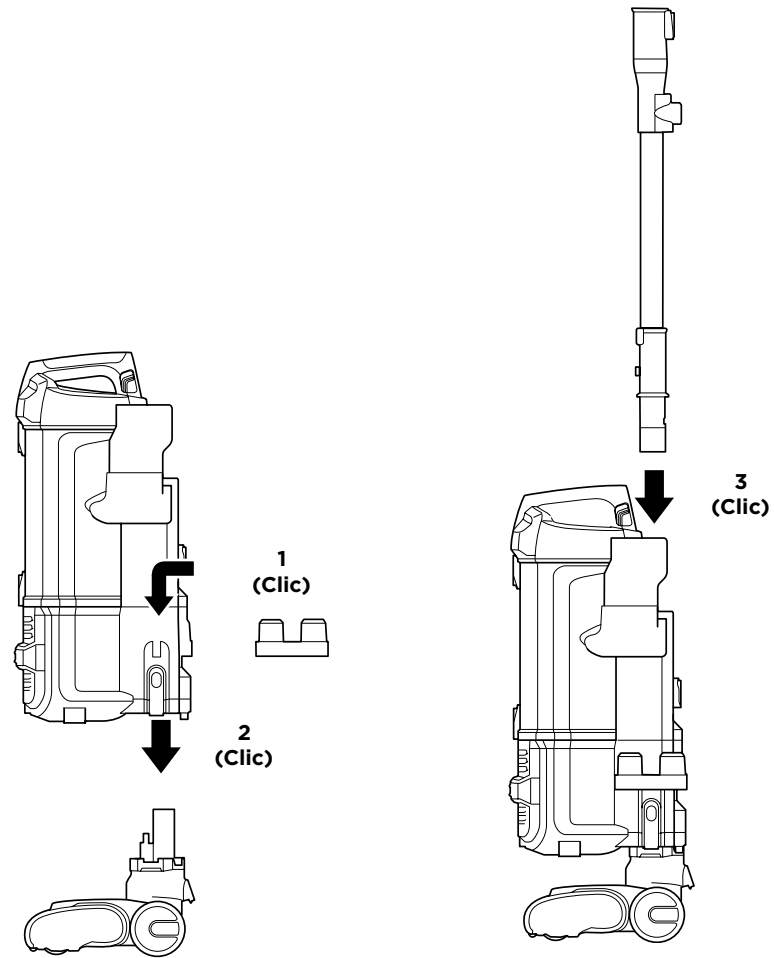
AVERTISSEMENTS CONCERNANT L'UTILISATION

9. Cet appareil peut être utilisé par des personnes dont les capacités physiques, sensorielles ou mentales sont réduites ou qui manquent d'expérience et de connaissances seulement si elles ont été supervisées ou instruites par rapport à l'utilisation sécuritaire de l'appareil et si elles comprennent les dangers possibles. Les enfants ne peuvent pas nettoyer ni entretenir l'appareil. Gardez l'appareil et son câble hors de la portée des enfants. **NE LAISSEZ PAS** les enfants se servir de l'appareil. **NE PERMETTEZ PAS** de l'utiliser comme un jouet. Une surveillance étroite est nécessaire lorsque l'appareil est utilisé en présence d'enfants.
10. Mettez toujours l'aspirateur hors tension avant d'attacher ou de détacher la buse motorisée ou un autre accessoire.
11. **NE MANIPULEZ PAS** la fiche ou l'aspirateur avec les mains mouillées.
12. **N'UTILISEZ PAS** l'appareil si les filtres ne sont pas en place.
13. Utilisez uniquement des filtres et des accessoires de marque Shark®.
14. **N'ENDOMMAGEZ PAS** le cordon d'alimentation :
 - a) **N'UTILISEZ PAS** le cordon d'alimentation comme poignée pour transporter ou pour tirer l'aspirateur.
 - b) **NE DÉBRANCHEZ PAS** l'appareil en tirant sur le cordon d'alimentation. Agrippez la fiche et non le cordon d'alimentation.
 - c) **NE PASSEZ PAS** l'aspirateur sur le cordon d'alimentation, ne fermez pas de porte sur le cordon, ne tendez pas le cordon sur des coins pointus et ne laissez pas le cordon près de surfaces chaudes.

15. **ÉVITEZ** d'insérer des objets dans les ouvertures de la buse ou de tout autre accessoire. **N'UTILISEZ PAS** l'appareil si une ouverture est obstruée. Veillez à ce que les ouvertures ne soient pas bloquées par de la poussière, de la peluche, des cheveux ou tout autre élément qui pourrait gêner la circulation de l'air.
 16. **N'UTILISEZ PAS** l'appareil si le flux d'air de la buse ou de l'accessoire est obstrué. Si la buse de plancher motorisée ou les conduits d'air deviennent obstrués, éteignez l'aspirateur et débranchez-le de la prise de courant. Retirez toute obstruction avant de remettre l'appareil en marche.
 17. Tenez la buse et tous les orifices de l'aspirateur éloignés des cheveux, du visage, des doigts, des pieds déchaussés ou de vêtements amples.
 18. **N'UTILISEZ PAS** l'aspirateur s'il ne fonctionne pas comme prévu, ou s'il a été échappé sur le sol, endommagé, laissé à l'extérieur ou immergé.
 19. Soyez extrêmement prudent lorsque vous nettoyez les escaliers.
 20. **NE LAISSEZ PAS** l'aspirateur sans surveillance lorsqu'il est branché.
 21. Lorsqu'il est en marche, gardez l'aspirateur en mouvement sur le tapis en tout temps, afin d'éviter d'endommager les fibres du tapis.
 22. **NE PLACEZ PAS** l'aspirateur sur des surfaces instables comme des chaises ou des tables.
 23. Votre aspirateur Shark® pourrait ne pas avoir été conçu pour se maintenir de lui-même en position verticale. Lorsque vous prenez une pause, vous devrez peut-être l'appuyer contre un meuble ou un mur, ou le placer sur le plancher. Toute utilisation où l'aspirateur serait dans une position instable pourrait entraîner des blessures corporelles.
 24. **N'UTILISEZ PAS** l'appareil pour aspirer :
 - a) Des liquides
 - b) Des objets de grande taille
 - c) Des objets durs ou tranchants (verre, clous, vis ou pièces de monnaie)
 - d) De grandes quantités de poussière (poussière de cloison sèche, cendres ou braises de foyer). **N'UTILISEZ PAS** l'aspirateur comme accessoire pour un outil électrique pour l'aspiration de la poussière.
 - e) Des objets fumants ou brûlants (charbons ardents, mégots de cigarettes ou allumettes)
 - f) Des matériaux inflammables ou combustibles (essence à briquet, essence ou kérosène)
 - g) Des matières toxiques (eau de Javel, ammoniaque ou produit débouchant)
25. **N'UTILISEZ PAS** l'appareil dans les endroits suivants :
 - a) Les endroits faiblement éclairés
 - b) Les surfaces humides ou mouillées
 - c) À l'extérieur
 - d) Endroits fermés pouvant contenir des matières explosives ou des fumées ou des vapeurs toxiques (essence à briquet, essence, kérosène, peinture, diluants à peinture, produits de traitement antimites ou poussières inflammables)
 26. Fermez toutes les commandes avant de brancher ou de débrancher l'aspirateur.
 27. Débranchez l'appareil de la prise murale lorsqu'il n'est pas en usage, et avant d'en faire l'entretien ou de le nettoyer.
 28. Lavez à la main avec de l'eau seulement. L'utilisation de produits chimiques de nettoyage pourrait endommager l'appareil.
 29. Pendant le nettoyage ou l'entretien, **NE COUPEZ AUCUNE** matière autre que des cheveux, des fibres ou de la ficelle enroulés autour de la brosse rotative.
 30. Laissez tous les filtres sécher complètement avant de les remettre dans l'aspirateur pour éviter que du liquide ne soit aspiré dans les composants électriques.
 31. Après avoir effectué l'entretien de routine, assurez-vous que le récipient à poussière et tous les filtres sont en place.
 32. Le cas échéant, fixez le cordon d'alimentation autour des deux crochets avant de ranger l'appareil.

CONSERVEZ CES INSTRUCTIONS

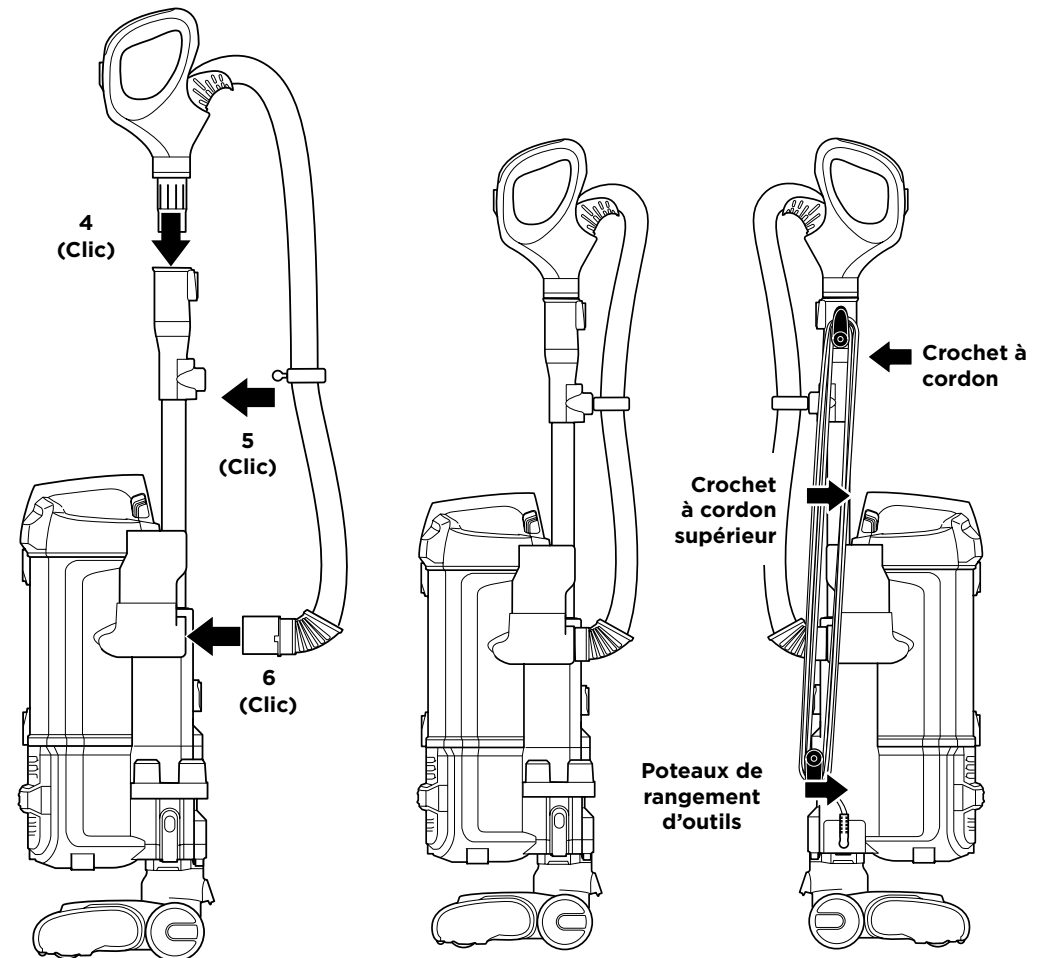
ASSEMBLAGE



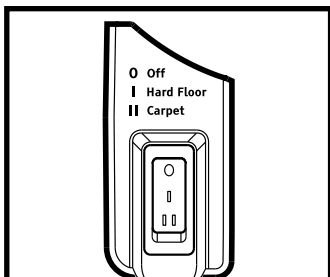
1. Insérez le **porte-accessoires double** sur le côté de la **base**, au-dessus du **bouton Lift-Away**.
2. Insérez la base dans la **tête d'aspirateur**.
3. Insérez le **tube** dans la base.
4. Insérez la **poignée** dans le tube.
5. Fixez l'**attache de tuyau** au tube.
6. Branchez le **tuyau** à l'arrière de la base.

IMPORTANT : Afin que l'appareil fonctionne correctement, assurez-vous que tous les branchements sont maintenus fermement en place.

ASSEMBLAGE



RÉGLAGES



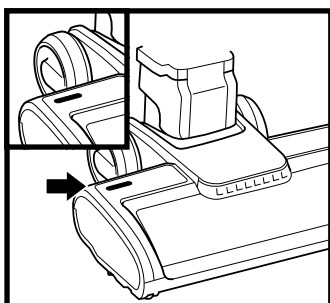
BOUTON POWER/SURFACE (MISE EN MARCHÉ/SURFACE)

Sélectionnez la mise en place de la surface :

- 0 Off (arrêt)**
- I Hard Floor (plancher)**
Pour les planchers et les petits tapis.
- II Carpet (tapis)**
Pour les tapis.

REMARQUE : Les brosses rotatives tournent dans tous les modes

VOYANT INDICATEUR DE LA BROSSÉ ROTATIVE



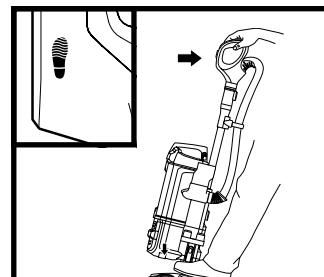
VOYANT INDICATEUR

QU'INDIQUENT LES VOYANTS INDICATEURS DE LA BROSSÉ ROTATIVE?

- Vert fixe :** La brosse rotative est en marche et fonctionne comme prévu.
- Rouge fixe :** Une obstruction a été détectée dans la zone de la brosse rotative. Éteignez l'aspirateur, débranchez-le et retirez l'élément qui cause l'obstruction dans la buse.
- Rouge clignotant :** La buse de plancher motorisée surchauffe. Éteignez l'aspirateur, débranchez-le et retirez tout élément causant l'obstruction. Laissez l'aspirateur refroidir pendant au moins 60 minutes avant de le remettre en marche. Consultez la section de dépannage pour obtenir plus de renseignements.

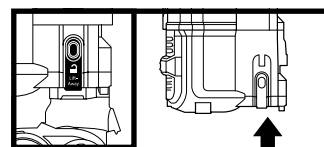
REMARQUE : Pour un nettoyage en profondeur des tapis conformément à la norme ASTM F608 (saleté incrustée dans les tapis), utilisez le réglage pour tapis et réglez la commande d'aspiration à MAX.

MODES DE NETTOYAGE



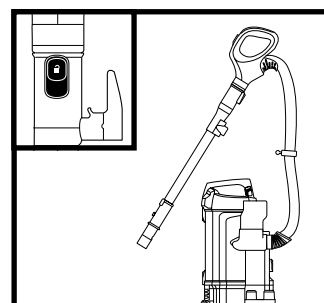
VERTICAL

Pour activer la brosse rotative, mettez l'aspirateur sous tension, posez le pied sur la tête d'aspirateur et inclinez la poignée vers l'arrière.



MODE LIFT-AWAY®

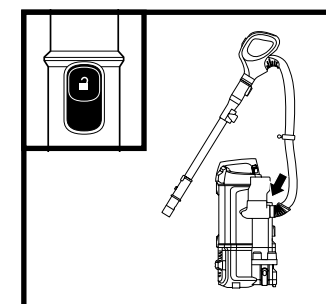
Appuyez sur le bouton **Lift-Away** pour détache la base de la tête d'aspirateur.



AU-DESSUS DU SOL - POIGNÉE

Appuyez sur le bouton de **déverrouillage de la poignée** situé à l'arrière du tube pour détacher la poignée du tube.

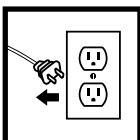
REMARQUE : Tous les accessoires sont compatibles avec le tube et la poignée



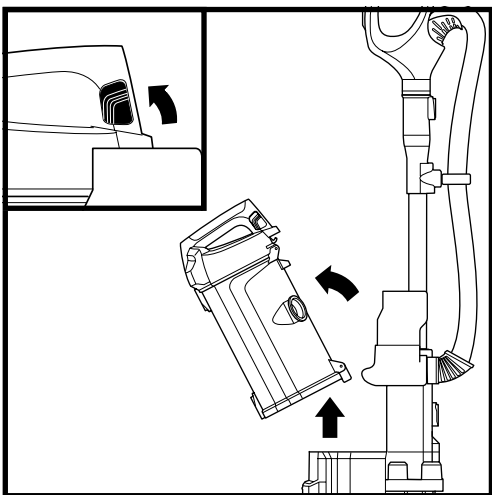
LIFT-AWAY® TUBE

Une fois la base retirée, appuyez sur le bouton de **déverrouillage du tube** pour détacher le tube de la base.

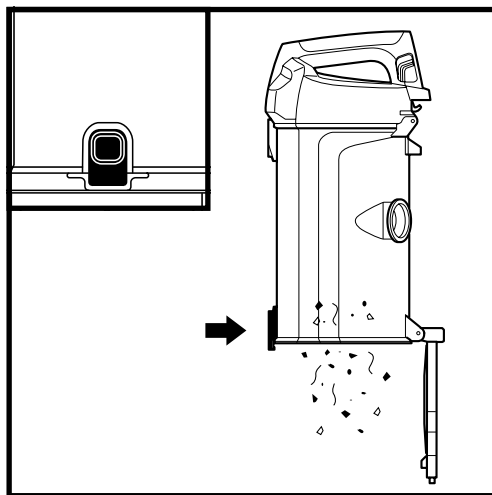
VIDANGE DU RÉCIPENT À POUSSIÈRE



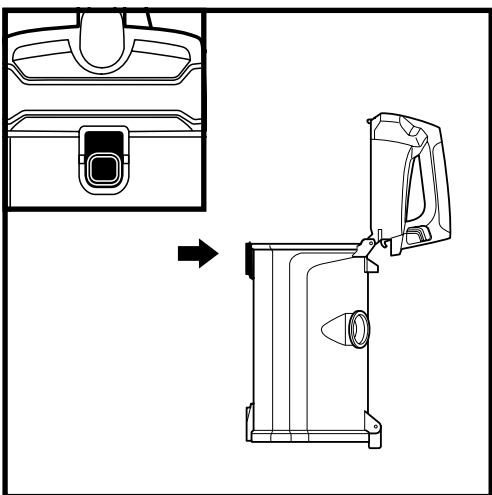
IMPORTANT : Débranchez le cordon d'alimentation avant d'effectuer tout entretien. Videz le compartiment à poussière chaque fois que vous passez l'aspirateur et régulièrement pendant le nettoyage, lorsque les débris dans le compartiment à poussière atteignent la ligne MAX.



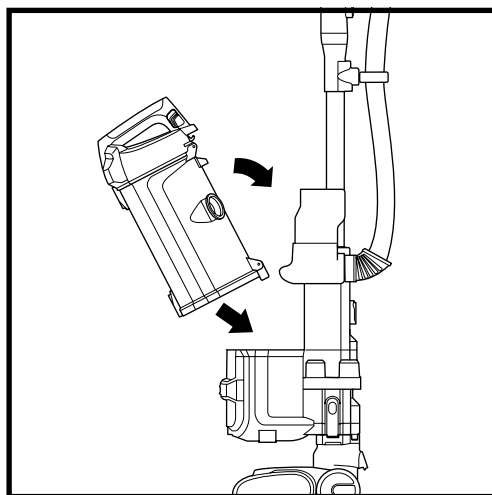
Pour retirer le **compartiment à poussière**, soulevez les languettes des deux côtés de la poignée du compartiment à poussière. Inclinez le compartiment à poussière, puis soulevez-le pour le retirer.



Pour jeter les débris aux ordures, appuyez sur le bouton de dégagement inférieur et le bas du récipient à poussière s'ouvrira.



Pour retirer les débris accumulés dans le **filtre à charpie**, appuyez sur le bouton de déverrouillage supérieur et soulevez la poignée pour ouvrir le compartiment. Nettoyez le filtre à charpie en le brossant doucement.



Afin de réinstaller le récipient à poussière, placez la partie inférieure sur le réceptacle, puis inclinez-le jusqu'à ce que vous entendiez un déclic.

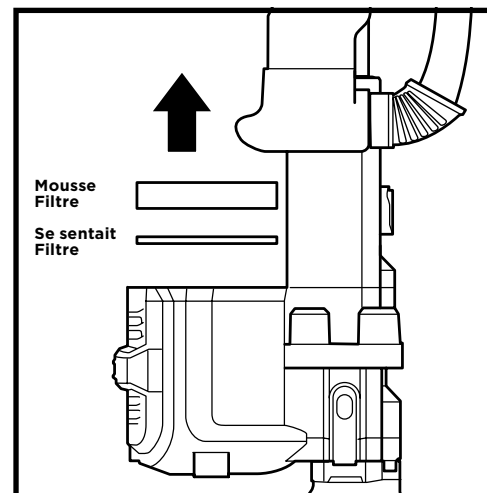
NETTOYAGE ET REMPLACEMENT DES FILTRES

NETTOYAGE DES FILTRES

Nettoyez et remplacez régulièrement les filtres pour maintenir une puissance d'aspiration optimale.

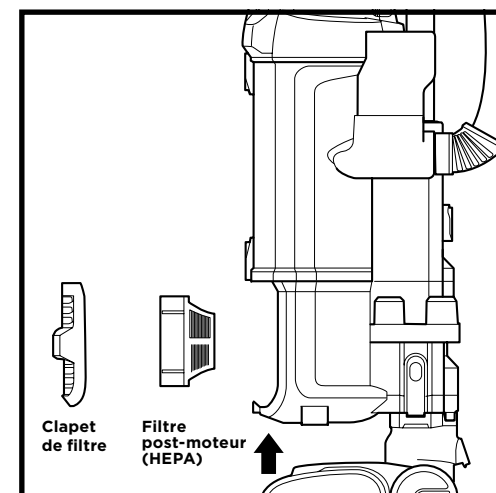
Pour nettoyer les filtres, rincez-les UNIQUEMENT à l'eau froide pour éviter que les produits chimiques de nettoyage ne les endommagent. Laissez tous les filtres sécher à l'air libre pendant au moins 24 heures avant de les réinstaller pour éviter que l'eau ne soit aspirée dans les composants électriques.

IMPORTANT : N'UTILISEZ PAS de savon pour nettoyer les filtres.



NETTOYEZ LES FILTRES PRÉ-MOTEUR TOUS LES 3 MOIS

Retirez le **compartiment à poussière**, puis soulevez et retirez les **filtres**.

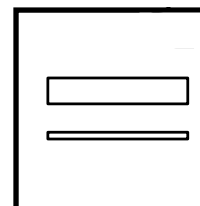


NETTOYEZ LE FILTRE HEPA TOUS LES ANS

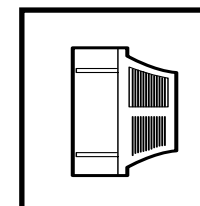
Appuyez sur le bouton situé au bas du **clapet de filtre**. Inclinez le clapet de filtre et soulevez-le. Retirez le **filtre HEPA**. Pour le réinstaller, réinsérez le filtre HEPA dans l'unité et remettez le clapet du filtre en place.

REPLACING FILTERS

Suivez les instructions de retrait des filtres. Le **filtre pré-moteur** doit être remplacé tous les 2,5 ans. Le **filtre HEPA** doit être remplacé tous les 3 ans.



Trousse de remplacement du filtre pré-moteur
XFFKZD400



Filtre de remplacement post-moteur
XHFZD400

REMARQUE : Pour commander des pièces de rechange et des filtres, visitez sharkaccessories.com.

ENTRETIEN

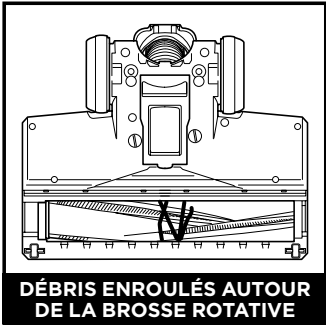
ENTRETIEN DE LA BUSE

BROSSE ROTATIVE AUTONETTOYANTE

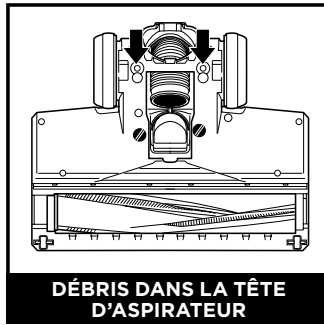
S'il y a des cheveux enroulés autour de la brosse rotative, continuez à passer l'aspirateur en utilisant le mode Carpet/Low Pile (carpettes/tapis à poils courts) sur les planchers, les tapis à poils courts ou les carpettes. Ainsi, la brosse rotative autonettoyante pourra enlever les cheveux enroulés et les envoyer dans le récipient à poussière.

Si vous passez l'aspirateur sur un objet dur ou tranchant ou que vous remarquez un changement de bruit pendant que vous passez l'aspirateur, vérifiez la présence d'obstructions ou d'objets coincés dans la brosse rotative.

Si certaines fibres restent enroulées autour de la brosse rotative après une utilisation continue, enlevez-les soigneusement.

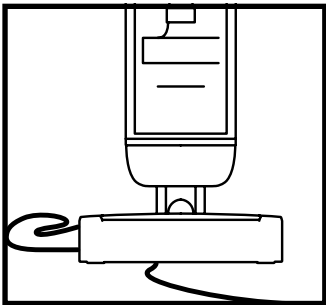


Nettoyez tous les débris sur la brosse rotative.



Pour éliminer les débris et les obstructions dans la tête d'aspirateur, ouvrez les verrous situés au bas de la tête d'aspirateur. À l'aide d'une pièce de monnaie, tournez les verrous dans le sens inverse des aiguilles d'une montre pour les ouvrir, puis soulevez le couvercle.

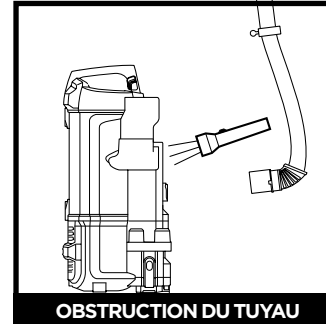
ENTRETIEN DU CORDON



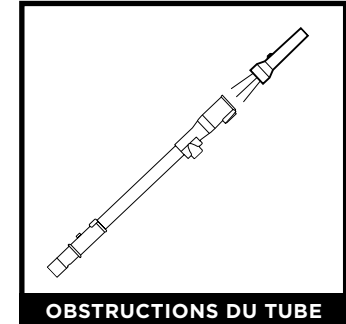
Pour minimiser le risque d'endommager le cordon d'alimentation, **NE PAS** faire passer l'aspirateur sur le cordon d'alimentation. Si cela se produit, coupez immédiatement l'alimentation de l'aspirateur et retirez le cordon de la brosse rotative ou de la buse.

1. **N'UTILISEZ PAS** le cordon d'alimentation comme poignée, pour porter ou pour tirer l'aspirateur.
2. **NE DÉBRANCHEZ PAS** l'appareil en tirant sur le cordon d'alimentation. Agrippez par la fiche et non le cordon.
3. **NE FERMEZ PAS** de porte sur le cordon d'alimentation.
4. **NE TIREZ PAS** le cordon autour d'un coin pointu.
5. **NE LAISSEZ PAS** le cordon près de surfaces chauffées.

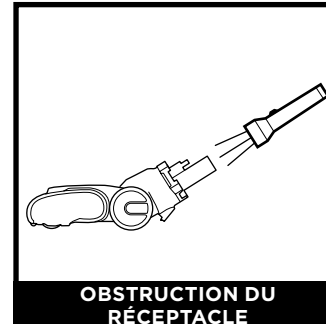
VÉRIFICATION DE LA PRÉSENCE D'OBSTRUCTIONS



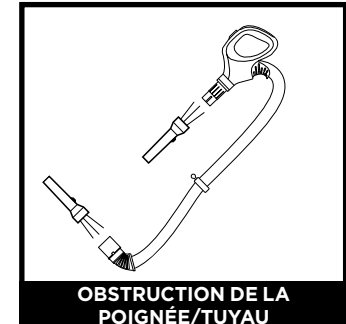
Détachez le tuyau du réceptacle de l'aspirateur et vérifiez le tuyau et l'ouverture du réceptacle pour voir s'il y a des obstructions.



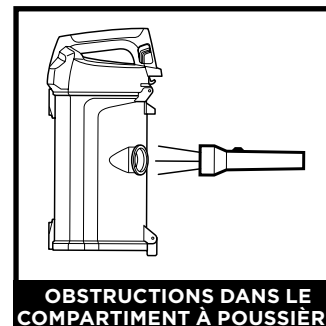
Détachez le tube du réceptacle et de la poignée et vérifiez s'il y a des obstructions des deux côtés.



Détachez le tube de la buse de plancher, inclinez la buse vers l'arrière, et vérifiez s'il y a des obstructions dans l'ouverture.



Détachez la poignée du tube et du tuyau pour vérifier les ouvertures aux deux extrémités.



Retirez le compartiment à poussière de la base d'aspirateur. Videz le compartiment à poussière, retirez les débris du filtre à charpie et vérifiez la présence d'obstructions.

ACCESSOIRES DISPONIBLES

A Suceur plat

Cet accessoire effilé permet d'accéder aux coins, aux plinthes et aux endroits exigus et d'atteindre les plafonds.

B Outil à meubles

Enlève les cheveux, la poussière et les gros débris des matelas, des canapés, des rideaux, des abat-jours et des autres tissus rembourrés délicats.

C Brosse motorisée pour les poils d'animaux

La brosse à turbine détache et élimine les poils d'animaux et les débris des tapis, et nettoie en profondeur et avec puissance les squames des tissus d'ameublement et d'autres surfaces.

D Brosse à épousseter

Cette brosse dépoussière et nettoie les surfaces délicates. Idéale pour les ventilateurs, les stores, les abat-jour et les claviers.

F Tube d'extension pour l'espace sous les meubles

Utilisez cet outil réglable de 91 cm pour nettoyer en dessous et à l'arrière des meubles et des appareils électroménagers difficiles à déplacer. Retournez l'accessoire de rallonge pour nettoyer en dessous des appareils électroménagers.

I Ensemble pour maison et voiture

Nettoyez votre voiture en profondeur, comme un détaillant professionnel, ou nettoyez les zones difficiles à atteindre de votre maison. Des micro-outils vous permettent de nettoyer autour d'objets délicats et d'accéder aux espaces les plus exigus, comme les bouches d'aération de voiture et les claviers d'ordinateur.

G Suceur plat pour animaux

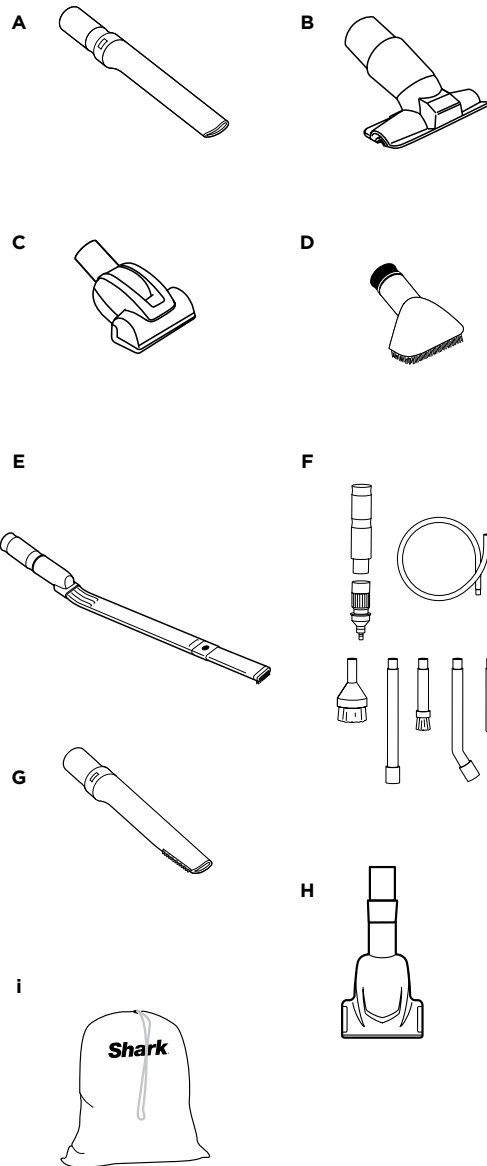
Cet outil fin et polyvalent élimine les poils d'animaux dans les espaces difficiles d'accès comme les coins, les plafonds et entre les coussins de divans.

H Labrosse motorisée pour les poils d'animaux autonettoyante

s'attaque aux poils d'animaux domestiques et à la saleté incrustée dans les zones surélevées, comme les marches recouvertes de tapis et les meubles en tissu, tout en retirant activement l'enroulement de poils et de cheveux pendant qu'elle nettoie.

J Sac d'accessoires

Ce sac de rangement pratique pour accessoires de 32 cm x 70 cm peut contenir le tube d'extension pour l'espace sous les meubles. Version en format réduit proposée sur sharkaccessories.com.



REMARQUE : Tous les accessoires ne sont pas fournis avec tous les appareils. Pour une liste des accessoires inclus avec ce modèle, consultez le rabat intérieur supérieur de la boîte. Pour acheter des accessoires supplémentaires, consultez le site sharkaccessories.com.

DÉPANNAGE

Le cordon d'alimentation est coincé dans la brosse rotative ou dans la buse de plancher.

- Pour minimiser le risque d'endommager le cordon d'alimentation, NE PAS faire passer l'aspirateur sur le cordon d'alimentation. Si cela se produit, coupez immédiatement l'alimentation de l'aspirateur et retirez le cordon de la brosse rotative ou de la buse.
- Avant d'utiliser l'appareil, inspectez le cordon d'alimentation et la fiche pour déceler d'éventuels dommages. N'UTILISEZ PAS l'aspirateur si le cordon d'alimentation ou la fiche sont endommagés. Fermez toutes les commandes avant de brancher ou de débrancher l'aspirateur. Rangez l'aspirateur en prenant soin d'enrouler le cordon d'alimentation autour des deux crochets à cordon.

L'aspirateur ne ramasse pas la poussière. Aucune aspiration ou aspiration faible.

- Vérifiez les filtres pour voir s'ils doivent être nettoyés. Suivez les instructions de rinçage et de séchage des filtres avant de les réinsérer.
- Le récipient à poussière pourrait être plein; videz-le, le cas échéant.
- Vérifiez le tuyau, les raccords du tuyau, la buse, le tube, le réceptacle et les accessoires pour déterminer s'ils sont obstrués. Éliminez toute obstruction, le cas échéant. Consultez la section Vérification des obstructions pour plus d'informations.
- Si des poils, une ficelle ou des fibres de tapis sont enroulés autour de la brosse rotative, prolongez la durée de nettoyage pour permettre à la brosse rotative autonettoyante de les retirer pour vous. Si des cheveux ou certaines fibres restent enroulées autour de la brosse rotative après une utilisation continue, enlevez-les soigneusement. Vérifiez la section Nettoyage de la brosse rotative pour plus d'informations.

L'aspirateur soulève les carpettes.

- Assurez-vous que le sélecteur de surface est réglé sur Nettoyage de tapis épais et de tapis.
- La succion est puissante. Faites attention lorsque vous passez l'aspirateur sur les carpettes et sur les tapis à bordure cousue délicate.

Les brosses rotatives ne tournent pas.

- Si le voyant indicateur de la brosse rotative devient rouge, éteignez et débranchez immédiatement l'aspirateur. Retirez le réceptacle et le tube de la buse de plancher et éliminez toutes les obstructions. Refixez la buse, branchez l'aspirateur et mettez-le en marche.
- Lorsque l'aspirateur est en marche, inclinez la poignée; cela activera automatiquement les brosses rotatives.

L'aspirateur s'éteint tout seul ou le voyant indicateur clignote en rouge.

En cas de surchauffe de l'aspirateur, le thermostat éteint automatiquement le moteur de l'appareil. Suivez les étapes ci-dessous pour réinitialiser l'appareil :

1. Éteignez l'aspirateur et débranchez-le.
2. Videz le récipient à poussière et nettoyez les filtres. Reportez-vous aux sections Vidange du récipient à poussière et Nettoyage des filtres pour plus de renseignements.
3. Vérifiez s'il y a des obstructions dans le tuyau, le tube, la buse de plancher, les accessoires et les orifices d'entrée.
4. Laissez refroidir l'appareil pendant au moins 60 minutes.
5. Branchez l'aspirateur et mettez-le en marche.

En cas de difficulté, visitez notre site Web à l'adresse sharkclean.com/support.

GARANTIE LIMITÉE DE CINQ (5) ANS

La garantie limitée de cinq (5) ans s'applique aux achats effectués auprès de détaillants autorisés de **SharkNinja Operating LLC**. La garantie s'applique uniquement au premier propriétaire et au produit original et n'est pas transférable.

SharkNinja garantit ce produit contre toute défectuosité de matériau ou de main-d'œuvre pour une période de cinq (5) ans à compter de la date d'achat, dans le cadre d'un usage domestique normal et si le produit est entretenu conformément aux exigences décrites dans le guide de l'utilisateur, sujet aux conditions et aux exclusions ci-dessous :

Qu'est-ce qui est couvert par cette garantie?

1. L'appareil d'origine ou les pièces inusables considérés comme défectueux, à la seule discrétion de SharkNinja, seront réparés ou remplacés jusqu'à cinq (5) ans à compter de la date d'achat initiale.
2. Dans le cas d'un remplacement de l'appareil, la garantie prendra fin six (6) mois après la date de réception de l'appareil de remplacement ou pendant le reste de la période de garantie existante, selon la période la plus longue. SharkNinja se réserve le droit de remplacer l'appareil par un autre de valeur égale ou supérieure.

Qu'est-ce qui n'est pas couvert par cette garantie?

1. L'usure normale des pièces (comme les filtres en mousse, les filtres HEPA, les tampons, etc.) qui nécessitent un entretien et/ou un remplacement réguliers afin d'assurer le bon fonctionnement de votre appareil n'est pas couverte par cette garantie. Vous pouvez faire l'achat de pièces de rechange par l'entremise du site sharkaccessories.com.
2. La garantie ne s'applique pas aux appareils ayant été altérés ou utilisés à des fins commerciales.
3. Les dommages causés par une mauvaise utilisation (comme aspirer de l'eau ou d'autres liquides), un abus, une négligence lors de la manipulation, un manquement à l'entretien nécessaire (comme ne pas nettoyer les filtres), ou un dommage dû à une mauvaise manipulation pendant le transport.
4. Les dommages indirects et accidentels.
5. Les défaillances causées par des réparateurs non autorisés par SharkNinja. Ces défectuosités incluent les dommages causés lors du processus d'expédition, de modification ou de réparation du produit SharkNinja (ou de l'une de ses pièces) lorsque la réparation est effectuée par un réparateur non autorisé par SharkNinja.
6. Les produits achetés, utilisés ou mis en fonction à l'extérieur de l'Amérique du Nord.

Comment obtenir du service

Si votre appareil ne fonctionne pas comme il le devrait lors d'un usage domestique normal pendant la période de garantie, consultez le site sharkclean.com/support pour obtenir des renseignements au sujet des soins et de l'entretien du produit. Nos spécialistes du service à la clientèle sont aussi disponibles au **1 800 798-7398** pour de l'assistance sur les produits et les options de garantie de service offertes, y compris la possibilité de profiter de nos options de garantie VIP pour certaines catégories de produits. Afin que nous puissions mieux vous aider, veuillez enregistrer votre produit en ligne au registeryourshark.com et ayez le produit à portée de main lorsque vous appelez.

SharkNinja assumera les frais de retour de l'appareil à nos sites par le consommateur en vue de la réparation ou du remplacement de l'appareil. Un montant de 25,95 \$ (sujet à changement) sera facturé lorsque SharkNinja expédiera l'appareil réparé ou remplacé.

Comment présenter une demande de service sous garantie

Vous devez téléphoner au **1 800 798-7398** pour soumettre une réclamation au titre de la garantie. Vous aurez besoin du reçu comme preuve d'achat. Nous vous demandons également d'enregistrer votre produit en ligne au registeryourshark.com et d'avoir le produit à portée de main lorsque vous appelez afin que nous puissions mieux vous aider. Un spécialiste du service à la clientèle vous fournira les directives d'emballage et de retour.

Manière dont les lois provinciales ou étatiques s'appliquent

Cette garantie vous accorde des droits spécifiques légaux et vous pouvez aussi bénéficier d'autres droits qui varient d'une province ou d'un État à l'autre. Certains États américains ou certaines provinces canadiennes n'acceptent pas l'exclusion ou la limitation de dommages accessoires ou indirects, de sorte que les dispositions ci-dessus peuvent ne pas s'appliquer à votre cas.

ENREGISTREZ VOTRE ACHAT



registeryourshark.com



Numérisez le code QR avec votre appareil mobile



NOTEZ LES RENSEIGNEMENTS CI-DESSOUS

Numéro de modèle : _____

Numéro de série : _____

Date d'achat : _____
(Conservez la facture)

Magasin où l'appareil a été acheté : _____

CARACTÉRISTIQUES TECHNIQUES

Tension : 120 V-, 60 Hz

Puissance : 960 W

Avantages d'enregistrer votre produit et de créer un compte :

- Obtenez un service après-vente plus facile et plus rapide, et accédez aux informations de garantie
- Accédez au dépannage et aux instructions d'entretien du produit
- Soyez parmi les premiers à connaître les promotions exclusives de produits

CONSEIL : Le numéro de modèle et le numéro de série sont indiqués sur l'étiquette de code QR située en bas, à l'arrière du réceptacle de l'aspirateur.

INSTRUCCIONES IMPORTANTES DE SEGURIDAD

SOLO PARA USO DOMÉSTICO

⚠️ ADVERTENCIA

Para reducir el riesgo de incendio, descargas eléctricas, lesiones o daños a la propiedad, siempre se deben seguir las siguientes precauciones básicas al utilizar un aparato eléctrico:

LEA TODAS LAS INSTRUCCIONES ANTES DE USAR ESTA VACÍO

- Revise que el enchufe y el cable de alimentación no estén dañados antes de usar. **NO** use la aspiradora si tiene el enchufe o el cable dañados. Apague todos los controles antes de enchufar o desenchufar la aspiradora. Almacene la aspiradora con el cable de alimentación bien sujeto alrededor de los dos ganchos para cable. Para minimizar el riesgo de daños en el cable de alimentación, no permita que el rodillo del cepillo motorizado aspire el cable. Si esto ocurre, apague inmediatamente la aspiradora y retire el cable.
- Este aparato tiene un enchufe polarizado; si el enchufe no entra por completo en el tomacorriente, inviértalo (una hoja es más ancha que la otra). Si aun así no entra, comuníquese con un electricista calificado. **NO** lo inserte por la fuerza en el tomacorriente ni trate de modificarlo para que entre.
- La aspiradora puede estar compuesta por una boquilla motorizada, un vástago, una manguera o un receptáculo de la aspiradora. Este dispositivo contiene conexiones eléctricas, cables eléctricos y piezas móviles que presentan un riesgo potencial para el usuario.
- Use únicamente piezas de repuesto idénticas.
- Observe y siga las siguientes instrucciones detenidamente para evitar el uso incorrecto del electrodoméstico. **NO** use la aspiradora para otro fin que no sea el que se describe en este manual.
- Antes de usarla, inspeccione todas las piezas para verificar que no tengan daños. **NO** use ninguna pieza que esté dañada.
- El uso de un cable de extensión **NO** se recomienda.
- Esta aspiradora contiene piezas que no se reparan.

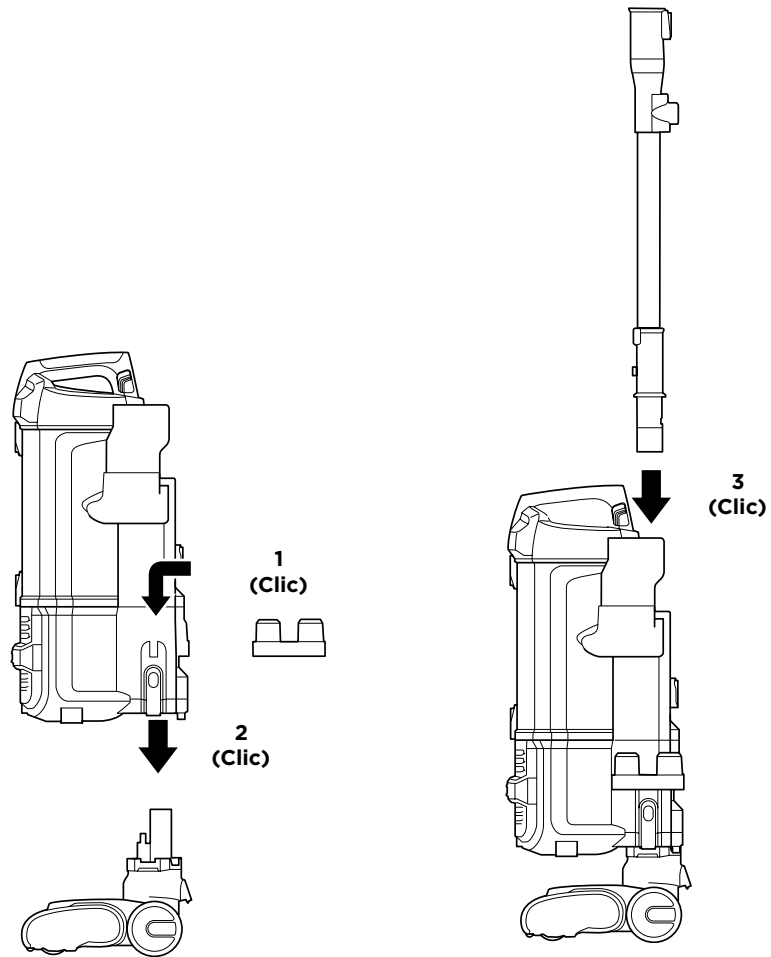
ADVERTENCIAS PARA EL USO

- Este electrodoméstico lo pueden utilizar personas con capacidades físicas, sensoriales o mentales disminuidas o que carecen de experiencia y conocimientos si han recibido la supervisión o instrucciones relacionadas con el uso del electrodoméstico de forma segura, y si comprenden los peligros. Los niños no deben realizar la limpieza y el mantenimiento del aparato. Mantenga este electrodoméstico y su cable fuera del alcance de los niños. **NO** permita que los niños usen el electrodoméstico. **NO** permita que los niños usen el electrodoméstico como un juguete. Es necesaria una supervisión minuciosa cuando se utiliza cerca de los niños.
- Siempre apague la aspiradora antes de conectar o desconectar cualquier boquilla de piso motorizada u otros accesorios.
- NO** manipule el enchufe o la aspiradora con las manos mojadas.
- NO** la use sin los filtros colocados en su lugar.
- Solo use filtros y accesorios de la marca Shark®.
- NO** dañe el cable de alimentación:
 - NO** tire del cable ni cargue la aspiradora del cable ni use el cable como un mango.
 - NO** desenchufe tirando del cable. Sujete el enchufe, no el cable.
 - NO** pase la aspiradora sobre el cable de alimentación, ni cierre una puerta sobre el cable, ni tire del cable alrededor de esquinas afiladas, tampoco deje el cable cerca de superficies calientes.

- NO** coloque ningún objeto dentro de la boquilla de piso o los orificios de accesorios. **NO** la use con un orificio obstruido; mantenga el electrodoméstico libre de polvo, pelusas, pelo y cualquier otra cosa que pueda reducir el flujo de aire.
 - NO** la use si el flujo de aire de la boquilla de piso o del accesorio está restringido. Si los pasajes de aire o la boquilla de piso motorizada se bloquean, apague la aspiradora y desenchúfela de la toma de corriente eléctrica. Quite todas las obstrucciones antes de volver a enchufar y encender la unidad.
 - Mantenga la boquilla de piso y todos los orificios de la aspiradora alejados del pelo, rostro, dedos, pies descalzos o ropa suelta.
 - NO** use la aspiradora si no funciona como debe ser o si se le cayó, dañó, se dejó en los exteriores o se cayó en agua.
 - Tenga mucho cuidado al limpiar escaleras.
 - NO** deje la aspiradora sin supervisión mientras esté enchufada.
 - Cuando esté encendida, mantenga la aspiradora en movimiento sobre la superficie de la alfombra en todo momento para evitar dañar las fibras de la alfombra.
 - NO** coloque la aspiradora en superficies poco estables, como sillas o mesas.
 - La aspiradora Shark® no está diseñada para sostenerse por sí sola. Cuando haga una pausa en la limpieza, es posible que deba apoyarla contra un mueble o la pared o acostarla en el piso. El uso de la aspiradora en una aplicación en la que la unidad no tiene estabilidad puede provocar lesiones personales.
 - NO** la use para recoger lo siguiente:
 - Líquidos
 - Objetos grandes
 - Objetos duros o afilados (vidrio, clavos, tornillos o monedas)
 - Grandes cantidades de polvo (polvo de placas de yeso, cenizas de chimenea o brasas). **NO** la use como accesorio para recolección de polvo de herramientas eléctricas.
 - Objetos humeantes o incandescentes (carbón caliente, colillas de cigarrillo o fósforos)
 - Materiales inflamables o combustibles (líquido de encendedor, gasolina o queroseno)
 - Materiales tóxicos (blanqueador con cloro, amoníaco o limpiador alcalino para drenajes)
25. **NO** la use en las siguientes áreas:
- Áreas poco iluminadas
 - Superficies húmedas o mojadas
 - Áreas exteriores
 - Espacios cerrados y que contengan gases o vapores explosivos o tóxicos (líquido de encendedor, gasolina, queroseno, pintura, diluyente de pintura, sustancias antipolillas o polvo inflamable)
26. Apague todos los controles antes de enchufar o desenchufar la aspiradora.
27. Desenchúfela de la toma de corriente eléctrica cuando no la use y antes de cualquier mantenimiento o limpieza.
28. Limpie a mano solo con agua. Limpiarla unidad con productos químicos de limpieza podría dañarla.
29. Durante la limpieza o mantenimiento de rutina, **NO** corte nada más que los mechones de pelo, fibras o hilos enredados en el cepillo giratorio.
30. Permita que todos los filtros se sequen al aire libre completamente antes de volver a colocarlos en la aspiradora para impedir que ingrese líquido a las piezas eléctricas.
31. Asegúrese de que el recipiente para el polvo y todos los filtros estén en su lugar después del mantenimiento de rutina.
32. Si se proporcionaron, asegure el cable de alimentación alrededor de los dos ganchos para cable durante el almacenamiento.

CONSERVE ESTAS INSTRUCCIONES

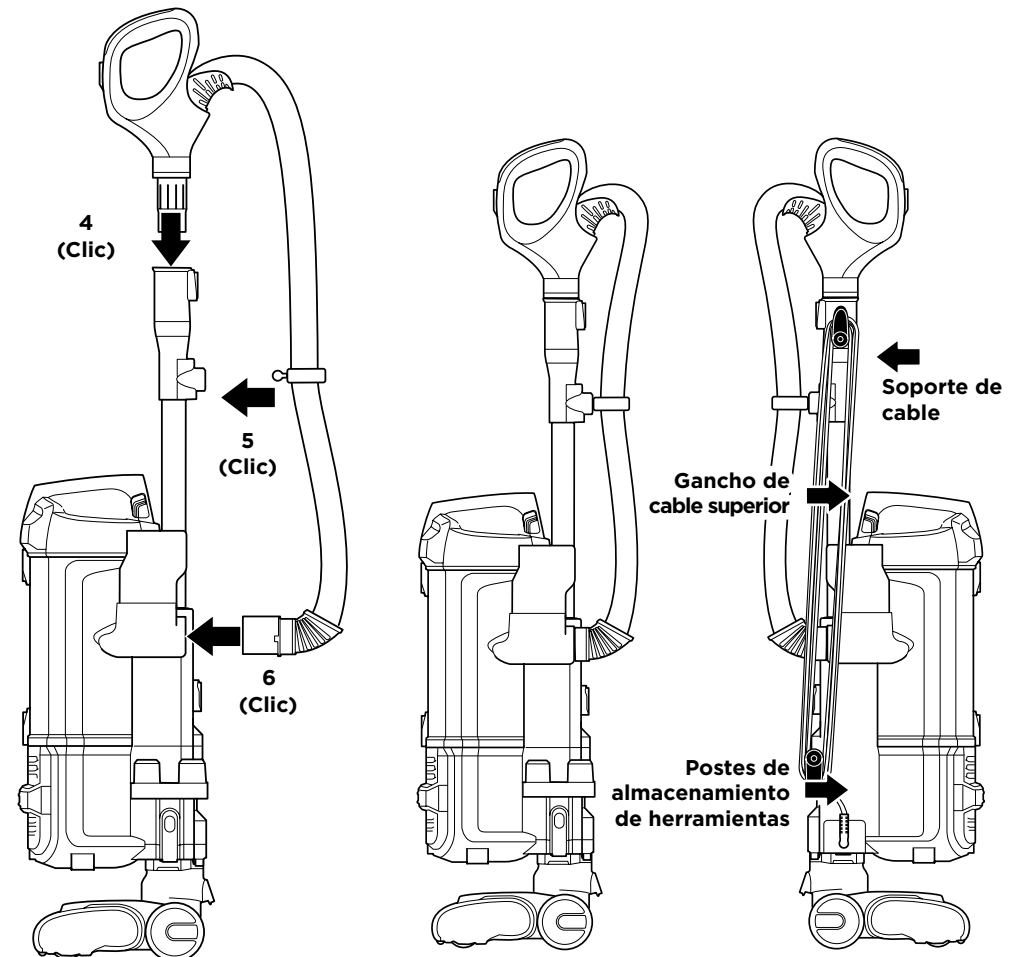
ENSAMBLADO



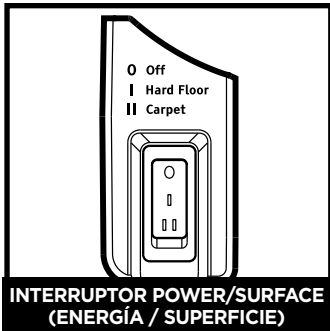
1. Inserte el **soporte de accesorio doble** en el lado del **receptáculo** por encima del **botón Lift-Away**.
2. Coloque el receptáculo sobre el **poste de la boquilla de piso**.
3. Inserte el **vástago** dentro del receptáculo.
4. Inserte el **mango** en el vástago.
5. Conecte el **clip de la manguera** al vástago.
6. Conecte la **manguera** a la parte trasera del receptáculo.

IMPORTANTE: Para un funcionamiento correcto, asegúrese de que todas las conexiones hayan encajado firmemente en su lugar.

ENSAMBLADO



AJUSTES



INTERRUPTOR POWER/SURFACE (ENERGÍA / SUPERFICIE)

Seleccionar configuración de superficie:

0 Off (Apagado)

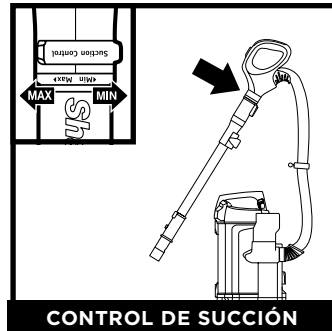
I Hard Floor (Piso duro)

Para pisos duros y tapetes pequeños.

II Carpet (Alfombra)

Para alfombras.

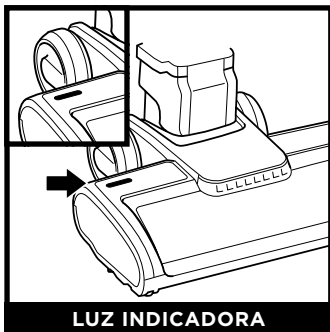
NOTA: El cepillo giratorio gira en todos los modos



CONTROL DE SUCCIÓN

El **control de succión** ofrece una succión variable según sus necesidades. Deslice hacia **MIN** (Mínimo) para reducir la succión y aumentar la maniobrabilidad en alfombras. Deslice hacia **MAX** (Máximo) para aumentar la succión en pisos descubiertos.

LUZ INDICADORA DEL CEPILLO GIRATORIO



LUZ INDICADORA

¿QUÉ SIGNIFICA LA LUZ INDICADORA DEL CEPILLO GIRATORIO?

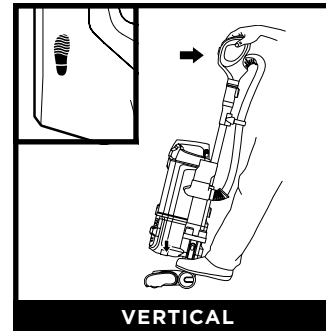
Verde continuo: El cepillo giratorio está girando y funcionando correctamente.

Rojo continuo: Hay una obstrucción en el área del cepillo giratorio. Apague y desconecte la aspiradora y quite cualquier obstrucción en la boquilla de piso.

Rojo parpadeante: La boquilla de piso motorizada se está sobrecalentando. Apague la aspiradora, desconéctela y quite cualquier obstrucción. Deje que la aspiradora se enfríe durante al menos 60 minutos antes de volver a encenderla. Consulte la sección Solución de problemas para obtener más información.

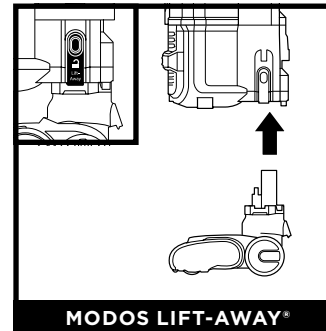
NOTA: Para una limpieza profunda de alfombras según ASTM F608 (suciedad incrustada en las alfombras), utilice el ajuste Carpet (Alfombra) y ajuste el control de succión en MAX.

MODOS DE LIMPIEZA



VERTICAL

Para enganchar el cepillo giratorio, encienda la aspiradora, pise la boquilla de piso e incline el mango hacia atrás.



MODOS LIFT-AWAY®

Presione el botón **Lift-Away** para separar el receptáculo de la boquilla de piso.



POR ENCIMA DEL PISO - VÁSTAGO

Con el receptáculo desmontado, presione el botón **Wand Release** (Liberar vástago) para separar el vástago del receptáculo.

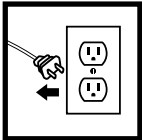


POR ENCIMA DEL PISO - MANGO

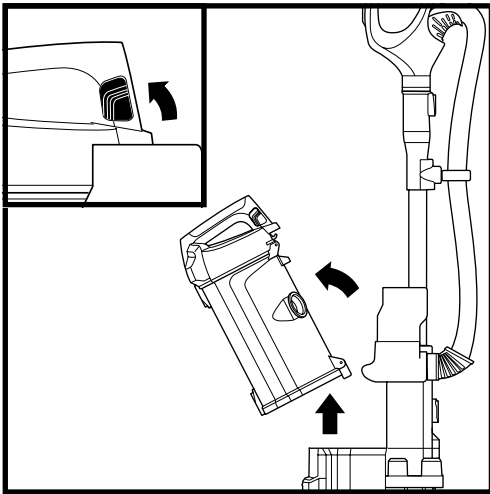
Presione el botón **Handle Release** (Liberar mango) en la parte trasera del vástago para separar el mango del vástago.

NOTA: Todos los accesorios son compatibles con el vástago y con la manija.

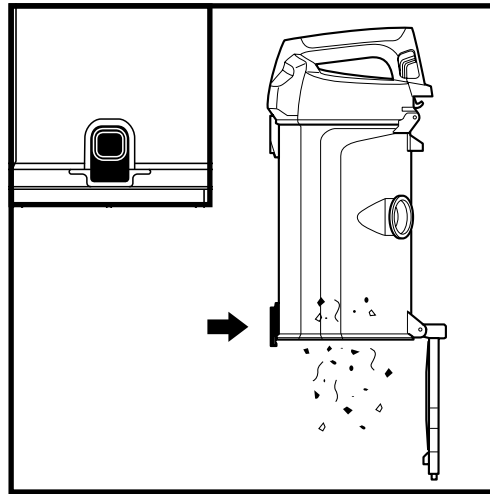
LIMPIEZA DE TODO EL HOGAR



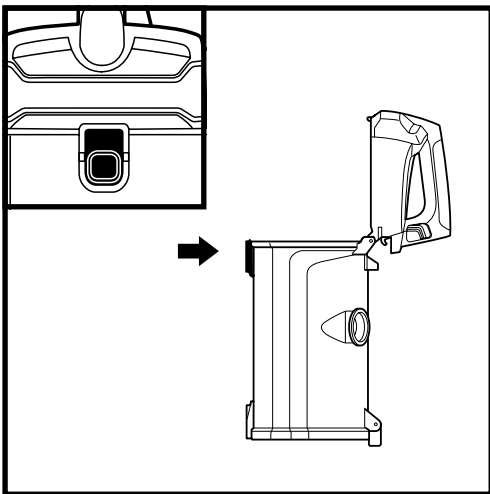
IMPORTANT: Unplug the power cord before performing any maintenance. Vacíe el recipiente para el polvo cada vez que aspire y límpielo periódicamente cuando la suciedad llegue a la línea de llenado MAX (Máximo) del recipiente para el polvo.



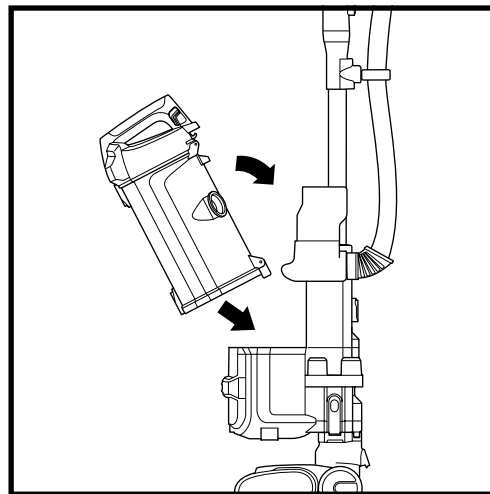
Se puede retirar el **recipiente para el polvo** levantando las lengüetas de ambos lados del mango del recipiente para el polvo. A continuación, inclínelo y levántelo para retirarlo.



Para vaciar los escombros en la basura, presione el botón de liberación inferior y el recipiente para el polvo se abrirá.



Para eliminar la suciedad guardada en la **rejilla para pelusas**, ábrala presionando el botón de liberación superior y levantando el mango. Limpie la rejilla para pelusas cepillándola suavemente.



Para reinstalar, coloque la parte inferior del recipiente para el polvo en el receptáculo y luego inclínelo hasta que encaje en su lugar.

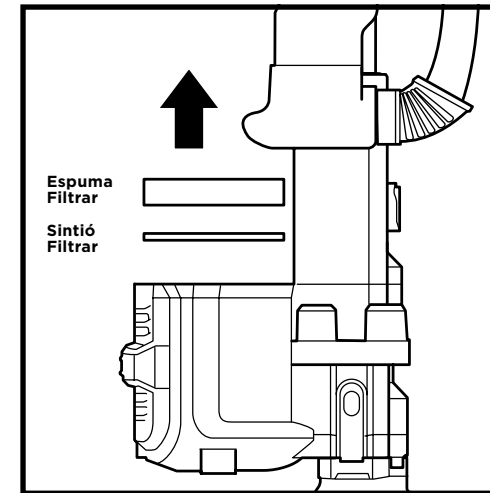
LIMPIEZA DE TODO EL HOGAR

MODOS DE LIMPIEZA

Limpie y reemplace periódicamente los filtros para mantener la succión de la aspiradora a una potencia óptima.

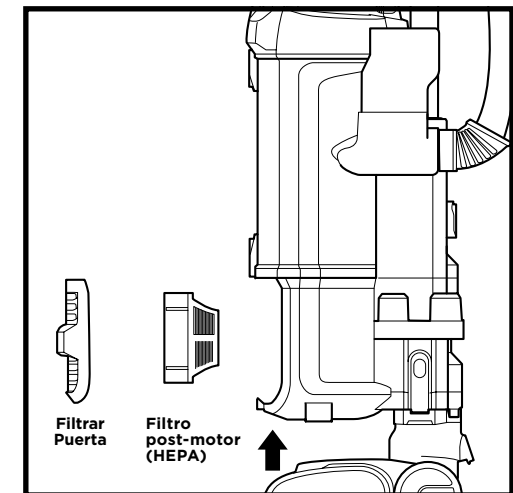
Para limpiar los filtros, enjuáguelos ÚNICAMENTE con agua fría para evitar daños generados por productos químicos de limpieza. Deje que los filtros se sequen al aire durante, al menos, 24 horas antes de volver a colocarlos para evitar que se succione líquido hacia las piezas eléctricas.

IMPORTANTE: NO use jabón cuando limpie los filtros.



LIMPIE LOS FILTROS ANTES DEL MOTOR CADA 3 MESES

Quite el **recipiente para el polvo** y, a continuación, extraiga los **filtros** levantándolos.

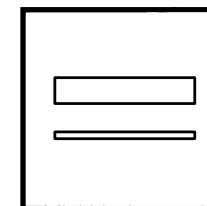


LIMPIE EL FILTRO HEPA CADA AÑO

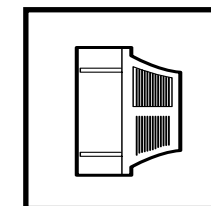
Presione el botón de la parte inferior de la **puerta del filtro**. Incline la puerta del filtro y levántela para extraerla. Extraiga el filtro HEPA. Para reinstalarlo, inserte el **filtro HEPA** en la unidad y vuelva a colocar la puerta del filtro.

FILTROS DE REPUESTO

Siga las instrucciones para quitar los filtros. Los **filtros antes del motor** se deben reemplazar cada 2,5 años. El **filtro HEPA** se debe reemplazar cada 3 años.



Kit de filtro de repuesto antes del motor
XFFKZD400



Filtro de repuesto después del motor
XHFZD400

NOTA: Para pedir piezas de repuesto y filtros, visite sharkaccessories.com.

MANTENIMIENTO

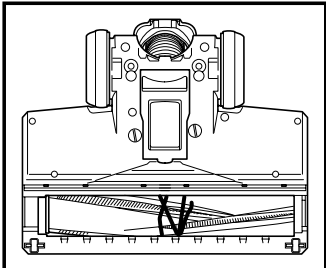
MANTENIMIENTO DE LA BOQUILLA DE PISO

CEPILLO GIRATORIO DE AUTO-LIMPIEZA

Si hay cabello enredado en el cepillo giratorio, siga aspirando en el modo de Carpet/Low Pile (alfombra/fibra corta) sobre una superficie de piso descubierta, una alfombra de fibra corta o un tapete pequeño. Esto permitirá que el cepillo giratorio de autolimpieza quite el enredo de pelos y lo envíe al recipiente para el polvo.

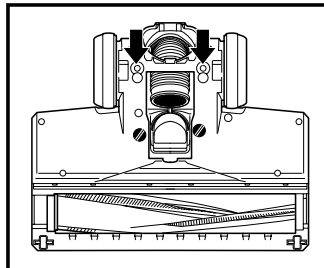
Si aspira un objeto duro o afilado o se da cuenta de un cambio en el ruido mientras aspira, verifique si hay obstrucciones u objetos atrapados en el cepillo giratorio.

Si aún quedan fibras enredadas en el cepillo giratorio después del uso constante, quítelas del cepillo giratorio.



RESIDUOS ENREDADOS ALREDEDOR DEL CEPILLO GIRATORIO

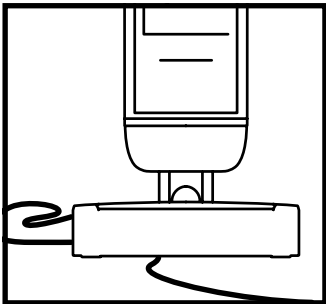
Limpie todos los residuos en el cepillo giratorio.



RESIDUOS EN LA MANGUERA DE LA BOQUILLA

Para limpiar los residuos y obstrucciones de la manguera de la boquilla, abra los seguros que se encuentran en la parte inferior de la boquilla. Con una moneda, gire las trabas hacia la izquierda para abrirlas y, a continuación, levante la cubierta.

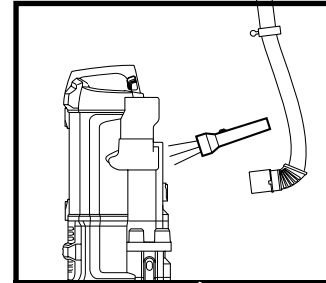
MANTENIMIENTO DEL CABLE



Para minimizar el riesgo de daño al cable de alimentación, **NO** pase la aspiradora sobre el cable de alimentación. Si esto ocurre, apague inmediatamente la aspiradora y libere el cable del cepillo giratorio o de la boquilla de piso.

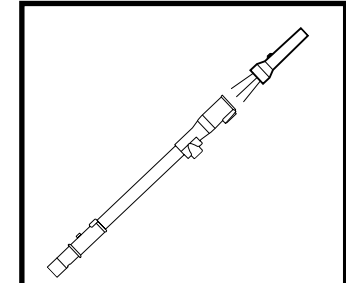
1. **NO** tire del cable ni lo use para cargar la aspiradora o como si fuera un mango.
2. **NO** desenchufe la aspiradora tirando del cable. Sujete el enchufe, no el cable.
3. **NO** cierre la puerta sobre el cable.
4. **NO** tire del cable alrededor de esquinas filosas.
5. **NO** deje el cable cerca de superficies calientes.

CÓMO VERIFICAR SI HAY OBSTRUCCIONES



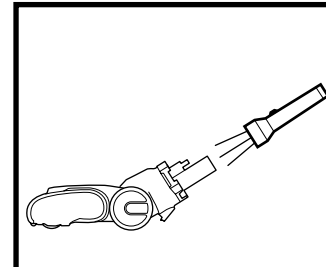
OBSTRUCCIÓN DE LA MANGUERA

Desacople la manguera del receptáculo de la aspiradora y verifique si hay obstrucciones en la manguera y en el orificio en la parte trasera del receptáculo.



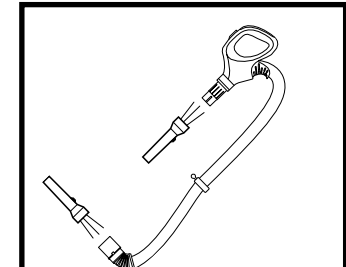
OBSTRUCCIÓN DEL VÁSTAGO

Desacople el vástago de la boquilla de piso y el mango, y verifique los dos extremos para ver si hay obstrucciones.



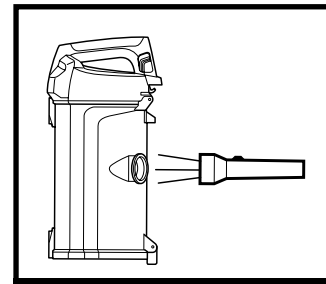
OBSTRUCCIÓN DEL RECEPTÁCULO

Desacople el vástago de la boquilla de piso, incline la parte trasera de la boquilla de piso y verifique si hay obstrucciones en el orificio.



OBSTRUCCIÓN DEL MANGO O LA MANGUERA

Desacople el mango del vástago y la manguera del receptáculo de la aspiradora, y verifique si hay obstrucciones en los orificios.



OBSTRUCCIONES DEL RECIPIENTE PARA EL POLVO

Desacople el recipiente para el polvo del receptáculo de la aspiradora. Vacíe el recipiente para el polvo, elimine los residuos de la rejilla para pelusas y verifique si hay obstrucciones.

ACCESORIOS DISPONIBLES

A Herramienta para grietas

Esta delgada herramienta es excelente para limpiar espacios reducidos, entre los cojines del sofá y áreas de difícil acceso. Una herramienta para grietas más larga ya está disponible en sharkaccessories.com.

B Herramienta para tapicería

Recolecta pelo de las mascotas, polvo y desechos grandes de colchones, sofás, cortinas y otras telas para tapizar delicadas.

C Cepillo para mascotas

El cepillo de turbina desprende y elimina pelos y escombros de mascotas de alfombras, y limpia profundamente la caspa de origen animal de muebles tapizados y otras superficies.

D Cepillo para desempolvar

Este cepillo elimina el polvo y limpia superficies delicadas. Excelente para usar en ventiladores, persianas, pantallas de lámparas y teclados.

E Vástago para usar debajo de electrodomésticos

Limpie debajo y detrás de electrodomésticos y muebles difíciles de mover con esta herramienta ajustable de 91 cm. Voltee la pieza de extensión para limpiar la parte inferior de los electrodomésticos.

F Kit para limpieza del hogar y el automóvil

Limpie de forma profunda su automóvil tal como lo hace un servicio de lavado de autos profesional, o limpie los rincones de difícil acceso de su hogar. Las herramientas diminutas le permiten limpiar alrededor de objetos delicados y llegar a los lugares más reducidos, como las salidas de ventilación del automóvil y los teclados de las computadoras.

G Herramienta para pelo de mascotas en grietas

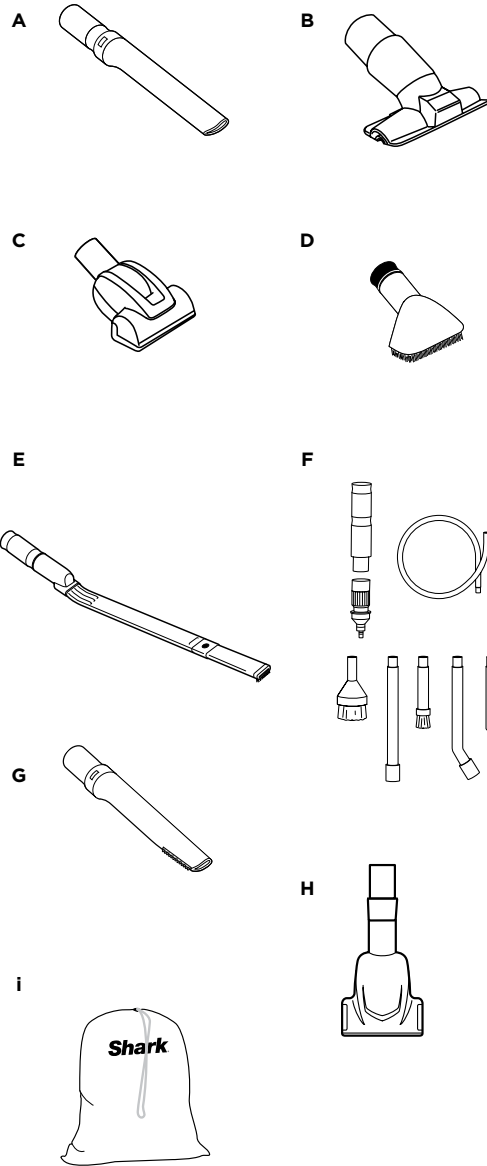
Esta herramienta delgada y versátil elimina el pelo de las mascotas de los espacios de difícil acceso, como esquinas, techos y entre los cojines del sofá.

H Cepillo motorizado de autolimpieza para mascotas

Recoge pelo de mascotas y suciedad de áreas por encima del piso, como escaleras alfombradas y tapicería, a la vez que elimina activamente el pelo enredado mientras limpia.

I Bolsa grande para accesorios

Esta práctica bolsa para guardar accesorios mide 32 cm x 70 cm y le cabe el vástago que se utiliza para limpiar debajo de los electrodomésticos. Hay un tamaño más pequeño disponible en sharkaccessories.com.



SOLUCIÓN DE PROBLEMAS

La aspiradora no recolecta escombros. No hay succión o hay poca succión.

- Revise los filtros para determinar si necesitan limpieza. Siga las instrucciones para enjuagar y secar al aire los filtros antes de volver a instalarlos en la aspiradora.
- El recipiente para el polvo puede estar lleno; vacíe el recipiente para el polvo.
- Revise el mango, la manguera, las conexiones de la manguera, la boquilla de piso, el vástago y receptáculo y los accesorios para ver si hay obstrucciones. Limpie cualquier obstrucción que encuentre.
- Si hay hilos, pelo o fibras de alfombra enredados en el cepillo giratorio, corte los escombros con tijeras y retírelos del cepillo giratorio. Consulte la sección sobre mantenimiento de la boquilla de piso para obtener más información.

La aspiradora levanta los tapetes.

- Asegúrese de que el interruptor Power/Surface (Encendido / Superficie) esté configurado para Hard Floor (Piso duro) (posición I).
- Compruebe que el control deslizante de succión en el mango esté en la posición MIN.
- La succión es potente. Tenga cuidado cuando aspire tapetes con delicados bordes cosidos.

El cepillo giratorio no gira.

- Si se enciende la luz roja indicadora del cepillo giratorio, apague la aspiradora de inmediato y desenchúfela. Retire el receptáculo de la boquilla del piso y elimine cualquier obstrucción. Vuelva a conectar la boquilla, conecte la aspiradora y encienda la alimentación.
- Con la aspiradora encendida, recline el mango y se encenderá automáticamente el cepillo giratorio.
- Si este problema persiste en alfombras gruesas, mueva el control deslizante de succión a la posición MIN.

La aspiradora se apaga por sí sola o la luz indicadora parpadea en rojo.

Si la aspiradora se sobrecalienta, el termostato apagará el motor de succión automáticamente. Siga estos pasos para reiniciar el termostato:

1. Apague y desenchufe la aspiradora.
2. Vacíe el recipiente para el polvo y limpie los filtros (consulte Cómo vaciar el recipiente para el polvo y Limpieza de los filtros).
3. Verifique si hay obstrucciones en la manguera, la boquilla de piso, los accesorios o los orificios de entrada.
4. Permita que la unidad se enfríe durante un mínimo de 60 minutos.
5. Conecte la aspiradora y vuelva a encenderla con el interruptor Power/Surface (Encendido/Superficie).

NOTA: No se incluyen todos los accesorios en todas las unidades. Para ver la lista de accesorios incluidos con este modelo, consulte la solapa interior superior de la caja. Para solicitar accesorios adicionales, visite sharkaccessories.com.

Para cualquier otro problema, visite nuestro sitio web en sharkclean.com/support.

GARANTÍA LIMITADA DE CINCO (5) AÑOS

La garantía limitada de cinco (5) años se aplica a las compras realizadas en tiendas autorizadas de **SharkNinja Operating LLC**. La cobertura de la garantía se aplica solo al propietario original y al producto original y no es transferible.

SharkNinja garantiza que la unidad estará libre de defectos en materiales y mano de obra por un período de cinco (5) años a partir de la fecha de compra, cuando se usa bajo las condiciones normales del hogar y se mantiene de acuerdo con los requisitos descritos en la guía del usuario, sujeto a las siguientes condiciones y exclusiones:

¿Qué cubre esta garantía?

1. La unidad original o los componentes no portátiles que se consideren defectuosos, a discreción exclusiva de SharkNinja, serán reparados o reemplazados hasta cinco (5) años a partir de la fecha de compra original.
2. En el caso de que se emita una unidad de reemplazo, la cobertura de la garantía finaliza seis (6) meses después de la fecha de recepción de la unidad de reemplazo o el resto de la garantía existente, la que sea más tardía. SharkNinja se reserva el derecho de reemplazar la unidad con una de igual o mayor valor.

¿Qué es lo que no cubre la garantía?

1. El desgaste normal de las piezas consumibles (como filtros de espuma, filtros HEPA, almohadillas, etc.), que requieren un mantenimiento regular o un reemplazo para garantizar el correcto funcionamiento de su unidad, no están cubiertos por esta garantía. Las piezas de repuesto están disponibles para su compra en sharkaccessories.com.
2. Cualquier unidad que haya sido manipulada o utilizada con fines comerciales.
3. Daños causados por el mal uso (por ejemplo, aspirar agua u otros líquidos), abuso, manejo negligente, no realizar el mantenimiento requerido (p. ej., no limpiar los filtros) o daños debido a un mal manejo en tránsito.
4. Daños consecuenciales e incidentales.
5. Defectos causados por personas que hacen reparaciones que no están autorizadas por SharkNinja. Estos defectos incluyen los daños causados en el proceso de envío, modificación o reparación del producto SharkNinja (o cualquiera de sus partes) cuando la reparación es realizada por una persona que hace reparaciones que no está autorizada por SharkNinja.
6. Productos comprados, usados u operados fuera de América del Norte.

Como obtener servicio

Si su electrodoméstico no funciona correctamente mientras está en uso bajo las condiciones normales del hogar dentro del período de garantía, visite sharkclean.com/support para obtener autoayuda de mantenimiento y cuidado del producto. Nuestros especialistas en servicio al cliente también están disponibles en el **1-800-798-7398** para ayudarlo con el soporte de productos y las opciones de servicio de garantía, incluyendo la posibilidad de actualizar nuestras opciones de servicio de garantía VIP para categorías de productos selectas.

SharkNinja cubrirá el costo para que el cliente nos envíe la unidad para su reparación o reemplazo. Se cobrará una tarifa de \$25.95 (sujeta a cambio) cuando SharkNinja envíe la unidad reparada o de reemplazo.

Cómo iniciar un reclamo de garantía

Debe llamar al **1-800-798-7398** para iniciar un reclamo de garantía. Necesitará el recibo como comprobante de compra. Un especialista en servicio al cliente le proporcionará información sobre instrucciones de devolución y embalaje.

Cómo se aplica la ley estatal

Esta garantía le otorga derechos legales específicos, y usted también puede tener otros derechos que varían de un estado a otro. Algunos estados no permiten la exclusión o limitación de daños incidentales o consecuentes, por lo que es posible que lo anterior no aplique a usted.

REGISTRAR LA COMPRA



registeryourshark.com



Escanee el código QR utilizando un dispositivo móvil



Beneficios de registrar su producto y crear una cuenta:

- Obtenga asistencia con el producto con más facilidad y rapidez y acceda a información de la garantía.
- Acceda a solución de problemas e instrucciones de cuidado del producto.
- Sea uno de los primeros en recibir promociones exclusivas de productos.

SUGERENCIA: Puede encontrar los números de modelo y de serie en la etiqueta del código QR en la base de la parte posterior del receptáculo de la aspiradora.

REGISTRAR ESTA INFORMACIÓN

Número de modelo: _____

Número de serie: _____

Fecha de compra: _____
(Conserve el recibo)

Tienda donde la adquirió: _____

ESPECIFICACIONES TÉCNICAS

Voltaje: 120 V~, 60 Hz

Vatios: 960 W

PLEASE READ CAREFULLY AND KEEP FOR FUTURE REFERENCE.

This Owner's Guide is designed to help you get a complete understanding of your new Shark® Rotator® Lift-Away® ADV Upright Vacuum.

SharkNinja Operating LLC
US: Needham, MA 02494
CAN: Ville St-Laurent, QC H4S 1A7
1-800-798-7398
sharkclean.com

Illustrations may differ from actual product. We are constantly striving to improve our products; therefore the specifications contained herein are subject to change without notice.

This product may be covered by one or more U.S. patents. See sharkninja.com/patents for more information.

VEUILLEZ LIRE ATTENTIVEMENT LE PRÉSENT MODE D'EMPLOI ET LE CONSERVER À TITRE INFORMATIF.

Ce guide de l'utilisateur a été conçu pour vous aider à acquérir une compréhension approfondie de votre nouvel aspirateur-balai ultra léger à fil Shark® Rotator® Lift-Away® ADV Upright Vacuum.

SharkNinja Operating LLC
États-Unis : Needham, MA 02494
Canada : Saint-Laurent (Québec) H4S 1A7
1 800 798-7398
sharkclean.com

Les illustrations peuvent différer du produit réel. Nous tentons constamment d'améliorer nos produits; par conséquent, les caractéristiques indiquées dans le présent guide peuvent être modifiées sans préavis. Ce produit peut être couvert par un ou plusieurs brevets américains. Voir sharkninja.com/patents pour plus d'informations.

LEA ATENTAMENTE Y GUARDE COMO REFERENCIA PARA EL FUTURO.

Este manual del propietario está diseñado para ayudarlo a comprender en profundidad su nueva aspiradora vertical Shark® Rotator® Lift-Away® ADV Upright Vacuum.

SharkNinja Operating LLC
EE. UU.: Needham, MA 02494
CAN: Ville St-Laurent, QC H4S 1A7
1-800-798-7398
sharkclean.com

Las ilustraciones pueden diferir del producto real. Nos esforzamos constantemente para mejorar nuestros productos, por lo tanto, las especificaciones contenidas en este documento están sujetas a cambios sin previo aviso.

Este producto puede estar cubierto por una o más patentes de EE. UU. Ver sharkninja.com/patents para más información.

© 2021 SharkNinja Operating LLC. DUOCLEAN, LIFT-AWAY, ROTATOR, and SHARK are registered trademarks of SharkNinja Operating LLC. POWERFINS is a trademark of SharkNinja Operating LLC.

SharkNinja Operating LLC. © 2021. DUOCLEAN, LIFT-AWAY, ROTATOR, et SHARK sont des marques déposées de SharkNinja Operating LLC. POWERFINS est une marque commerciale de SharkNinja Operating LLC.

© 2021 SharkNinja Operating LLC. DUOCLEAN, LIFT-AWAY, ROTATOR, y SHARK son marcas comerciales registradas de SharkNinja Operating LLC. POWERFINS es una marca comercial de SharkNinja Operating LLC.

ZD400_Series_IB_E_F_S_MP_Mv3
PRINTED IN CHINA / IMPRIMÉ EN CHINE / IMPRESO EN CHINA



@sharkcleaning