

# ***Shark* ION ROBOT™**

**Robot Vacuum  
Aspirateur Robot**

**RV750 / RV760  
Series • Série**

**OWNER'S GUIDE  
GUIDE D'UTILISATION**

---



# IMPORTANT SAFETY INSTRUCTIONS

PLEASE READ CAREFULLY BEFORE USE • FOR HOUSEHOLD USE ONLY

If the charging cable plug does not fit fully into the outlet, reverse the plug. If it still does not fit, contact a qualified electrician. **DO NOT** force into outlet or try to modify to fit.

## ⚠ WARNING

To reduce the risk of fire, electric shock, injury, or property damage:

### GENERAL WARNINGS

When using an electrical appliance, basic precautions should always be followed, including the following:

1. Robotic vacuum cleaner consists of a robotic vacuum and charging dock with power supply. These components contain electrical connections, electrical wiring, and moving parts that potentially present risk to the user.
2. Before each use, carefully inspect all parts for any damage. If a part is damaged, discontinue use.
3. Use only identical replacement parts.
4. This robotic vacuum cleaner contains no serviceable parts.
5. Use only as described in this manual. **DO NOT** use the robotic vacuum cleaner for any purpose other than those described in this manual.
6. With the exception of filters, **DO NOT** expose any parts of the robotic vacuum cleaner to water or other liquids.

### USE WARNINGS

7. This appliance can be used by persons with reduced physical, sensory or mental capabilities or lack of experience and knowledge if they have been given supervision or instruction concerning use of the appliance in a safe way and understand the hazards involved.
  - a) Children shall not play with the appliance.
  - b) Cleaning and user maintenance shall not be made by children without supervision.
8. Always turn off the robotic vacuum cleaner before inserting or removing the filter or dust bin.

9. **DO NOT** handle plug, charging dock, charging cable, or robotic vacuum cleaner with wet hands. Cleaning and user maintenance shall not be made by children without supervision.
10. **DO NOT** use without robot dust bin and filters in place.
11. **DO NOT** damage the charging cord:
  - a) **DO NOT** pull or carry charging dock by the cord or use the cord as a handle.
  - b) **DO NOT** unplug by pulling on cord. Grasp the plug, not the cord.
  - c) **DO NOT** close a door on the cord, pull the cord around sharp corners, or leave the cord near heated surfaces.
12. **DO NOT** put any objects into nozzle or accessory openings. **DO NOT** use with any opening blocked; keep free of dust, lint, hair, and anything that may reduce airflow.
13. **DO NOT** use if robotic vacuum cleaner airflow is restricted. If the air paths become blocked, turn the vacuum cleaner off and remove all obstructions before turning on the unit again.
14. Keep nozzle and all vacuum openings away from hair, face, fingers, uncovered feet, or loose clothing.
15. **DO NOT** use if robotic vacuum cleaner is not working as it should, or has been dropped, damaged, left outdoors, or dropped into water.
16. **DO NOT** place vacuum cleaner on unstable surfaces.
17. **DO NOT** use to pick up:
  - a) Liquids
  - b) Large objects

- c) Hard or sharp objects (glass, nails, screws, or coins)
- d) Large quantities of dust (drywall dust, fireplace ash, or embers). **DO NOT** use as an attachment to power tools for dust collection.
- e) Smoking or burning objects (hot coals, cigarette butts, or matches)
- f) Flammable or combustible materials (lighter fluid, gasoline, or kerosene)
- g) Toxic materials (chlorine bleach, ammonia, or drain cleaner)

### 18. **DO NOT** use in the following areas:

- a) Wet or damp surfaces
- b) Outdoor areas
- c) Spaces that are enclosed and may contain explosive or toxic fumes or vapors (lighter fluid, gasoline, kerosene, paint, paint thinners, mothproofing substances, or flammable dust)
- d) Near fireplaces with unobstructed entrances.
- e) In an area with a space heater.

### 19. Turn off the robotic vacuum cleaner before any adjustment, cleaning, maintenance or troubleshooting.

### 20. Allow all filters to air-dry completely before replacing in the robotic vacuum cleaner to prevent liquid from being drawn into electric parts.

### 21. **DO NOT** modify or attempt to repair the robotic vacuum cleaner or the battery yourself, except as indicated in this manual. **DO NOT** use the vacuum if it has been modified or damaged.

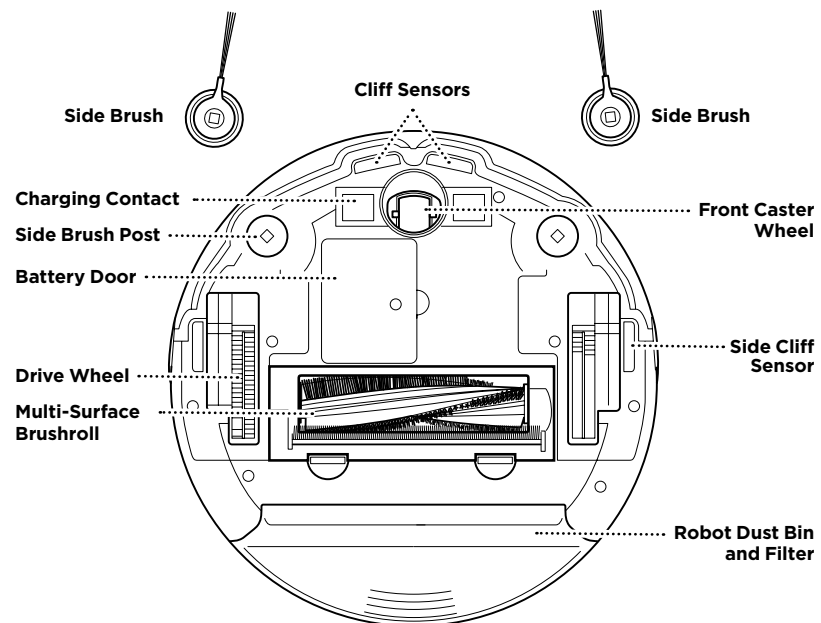
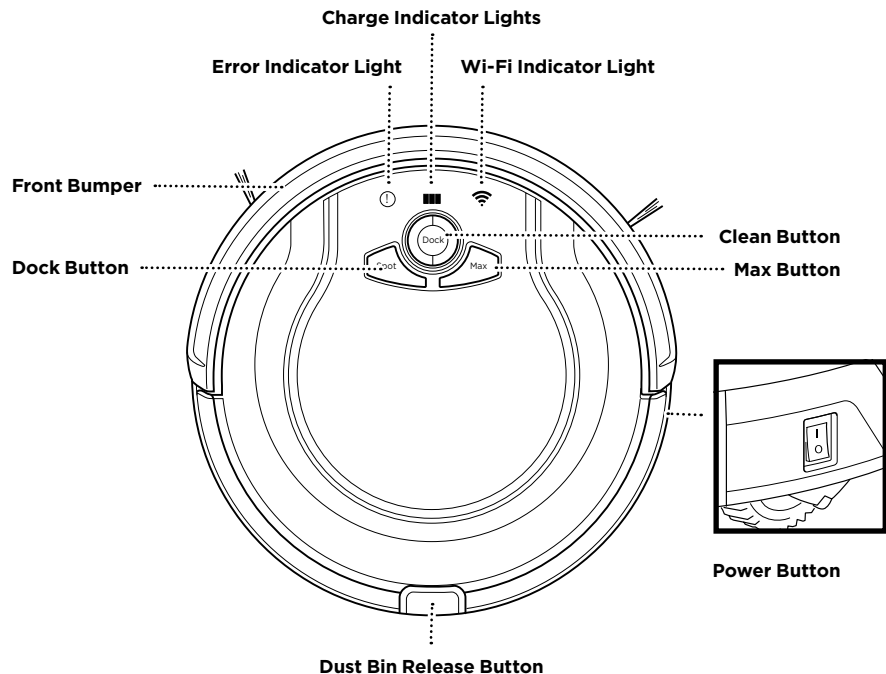
### 22. To reduce the risk of electric shock, this appliance has a polarized plug (one blade is wider than the other). This plug will fit in a polarized outlet only one way. If the plug does not fit fully in the outlet, reverse the plug. If it still does not fit, contact a qualified electrician to install the proper outlet. Do not change the plug in any way.

### BATTERY USE

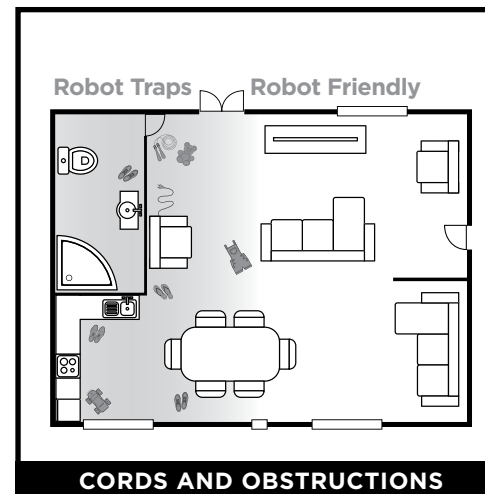
23. The battery is the power source for the vacuum. Carefully read and follow all charging instructions.
24. To prevent unintentional starting, ensure the vacuum is powered off before picking up or carrying the vacuum. **DO NOT** carry the appliance with your finger on the power switch.
25. Use **ONLY** the Shark® charging dock XSKRVDOCK and use only battery RVBAT850. Use of batteries or battery chargers other than those indicated may create a risk of fire.
26. Keep the battery away from all metal objects such as paper clips, coins, keys, nails, or screws. Shorting the battery terminals together increases the risk of fire or burns.
27. Under abusive conditions, liquids may be ejected from the battery. Avoid contact with this liquid, as it may cause irritation or burns. If contact occurs, flush with water. If liquid contacts eyes, seek medical help.
28. Robotic vacuum cleaner should not be stored, charged, or used at temperatures below 50°F (10°C) or above 104°F (40°C). Ensure the battery and vacuum have reached room temperature before charging or use. Exposing the robot or battery to temperatures outside of this range may damage the battery and increase the risk of fire.
29. **DO NOT** expose the robotic vacuum cleaner or battery to fire or temperatures above 265°F (130°C) as it may cause explosion.
30. Non-rechargeable batteries cannot be recharged.

## SAVE THESE INSTRUCTIONS

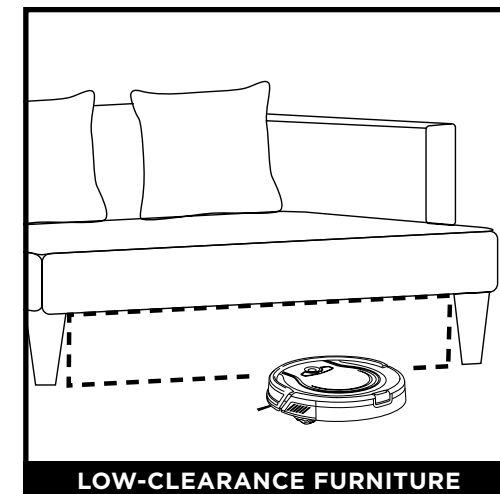
For the latest warnings and cautions, go to [sharkclean.com/robohelp](https://sharkclean.com/robohelp)



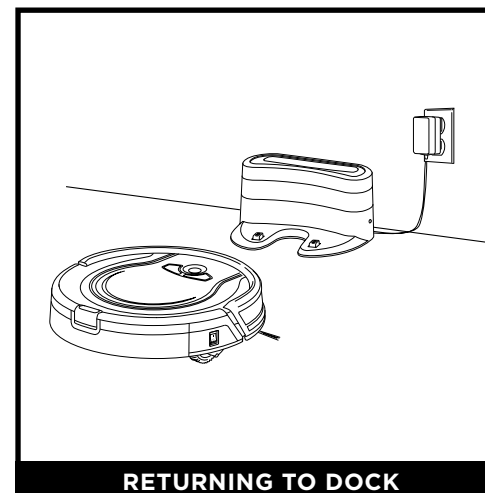
With **Auto-Sense™ Navigation**, your robot uses an array of sensors to navigate around walls, furniture legs, and other obstacles while it cleans. The robot may gently bump into obstructions or linger in one spot, and it may not cover every area in a single cleaning. For best results, prepare your home as indicated below, and schedule a daily cleaning to ensure all floor areas are regularly maintained.



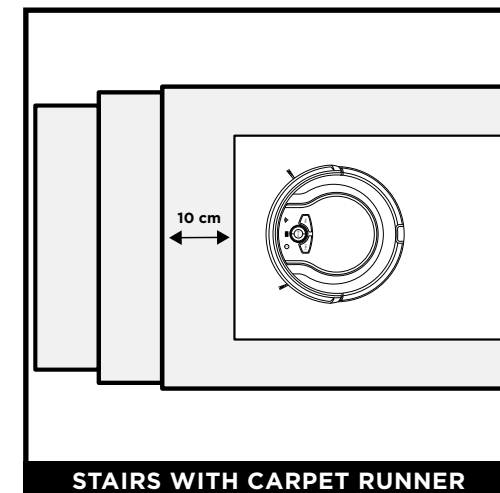
Before cleaning, clear away cords and other obstructions.



To prevent your robot from becoming trapped, use furniture risers or BotBoundary strips.



If your robot roams too far, it could have trouble finding the **Charging Dock**. It may be helpful to block off part of your home, or to add a second dock (available at [sharkaccessories.com](http://sharkaccessories.com))

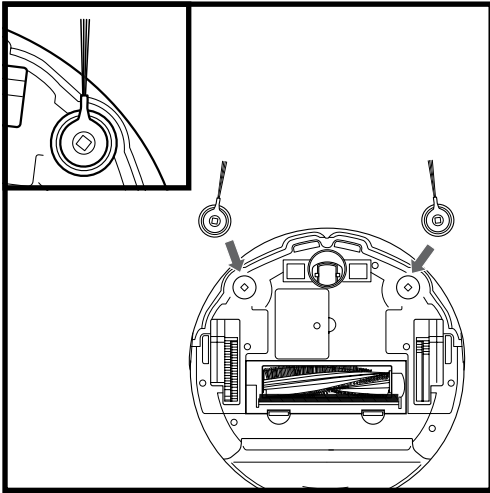


For your robot's cliff sensors to work properly, all runners, rugs, or carpets must be at least 10 cm (4 inches) from any stairs (or extend over the edge of the stairs).

If a runner, rug, or carpet edge is less than 10 cm (4 inches) from the stairs and can't be moved, use a BotBoundary® strip to block off the stairs. BotBoundary strips are available for purchase at [sharkaccessories.com](http://sharkaccessories.com)

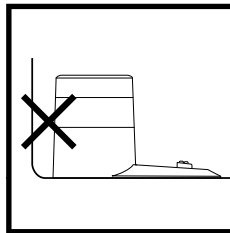
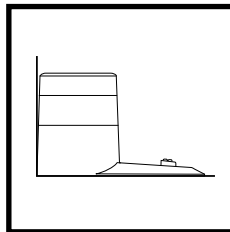
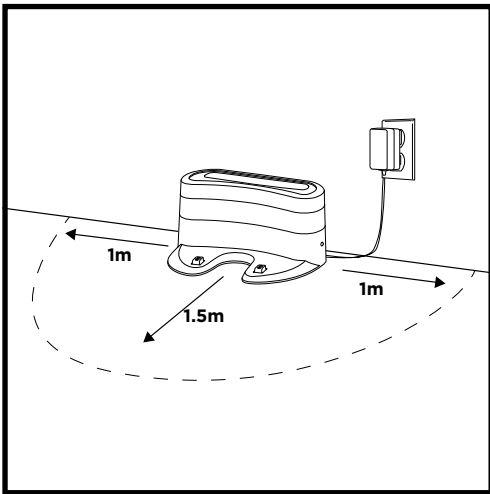
## PREPARING FOR USE

### INSTALLING THE SIDE BRUSHES



Snap the 2 included **Side Brushes** onto the square posts on the bottom of the robot.

### CHARGING DOCK SET-UP

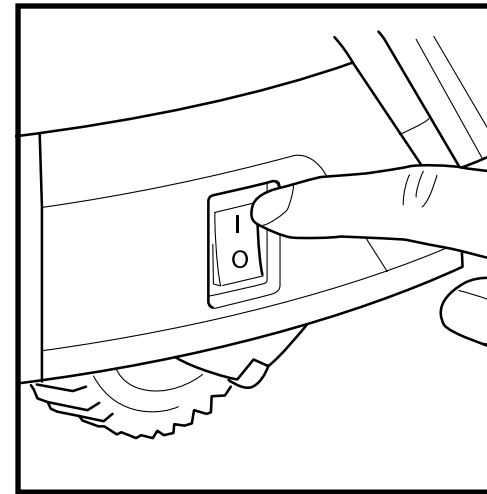


Place the charging dock on a level surface with its back against a wall, in a space without obstructions, that can easily be accessed by your robot. Remove any objects that are closer than 3 feet (1 meter) from either side of the dock, or closer than 5 feet (1.52 meters) from the front of the dock. Plug the **Charging Adapter** into a wall outlet. The dock must be plugged in continually for the robot to find it. The LED indicator on the dock turns green when powered on. The robot will beep when it starts charging on the dock.

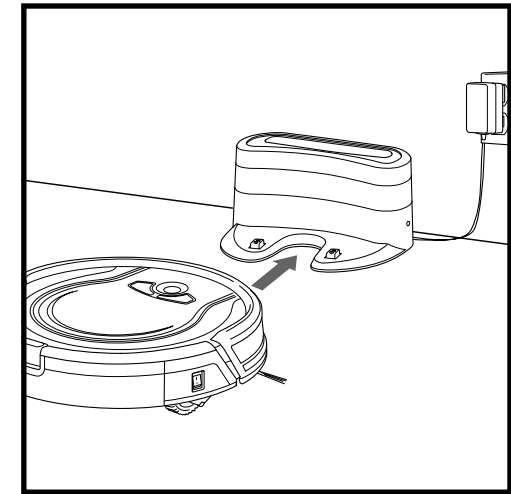
## CHARGING THE SHARK ION ROBOT™

### CHARGING

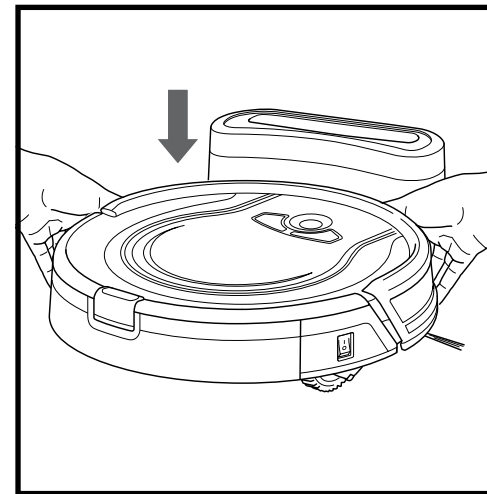
**IMPORTANT:** The Shark ION Robot has a pre-installed rechargeable battery. Battery must be fully charged before using.



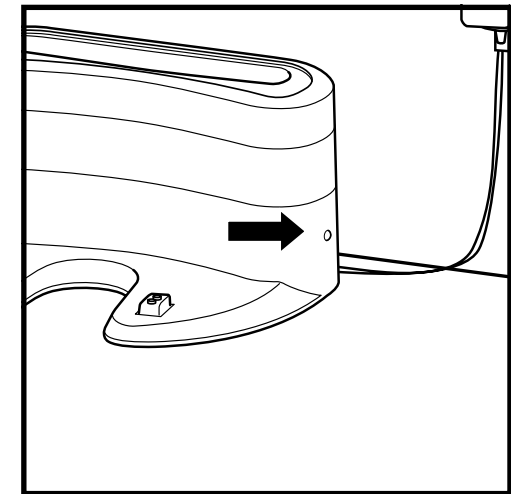
To charge, the **Power** button on the side of the robot must be in the ON position (I).



When the cleaning cycle is complete, or if the battery is running low, the robot will search for the dock. If your robot doesn't return to the dock, its charge may have run out.



If the robot has no charge and cannot return to the charging dock, place it on the dock manually.

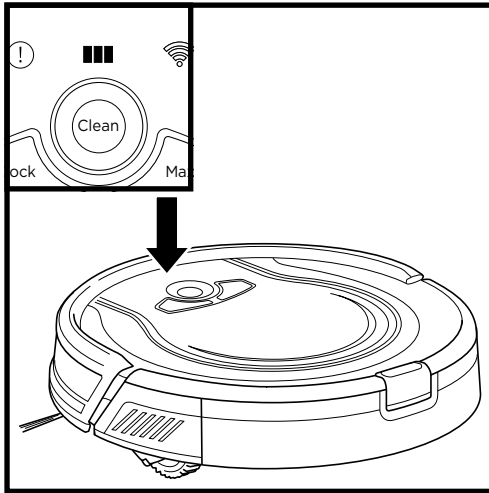


The LED on the side of the dock will be green when the dock is powered. When the robot is placed on the dock the LED will turn blue.

**NOTE:** When manually placing the robot on the dock, make sure the **Charging Contacts** on the bottom of the robot are aligned with the dock. To ensure the robot is docked correctly, refer to the **Charge Indicator Lights** section.

## CHARGING THE SHARK ION ROBOT™

### CHARGE INDICATOR LIGHTS



#### In Use



#### While Charging



#### No Charge or Off



The blue charge indicator lights show how much charge is remaining.

While the robot is charging, all three blue LED lights will cycle. When charging is complete, all three blue lights will illuminate steadily.

If the robot is idle and away from the charging dock for 10 minutes, it will enter **Sleep Mode**, and the lights will turn off and these indicator lights will turn off, but Clean will remain lit. Wake up the robot by pressing any button.

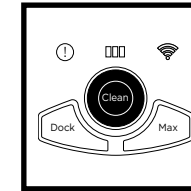
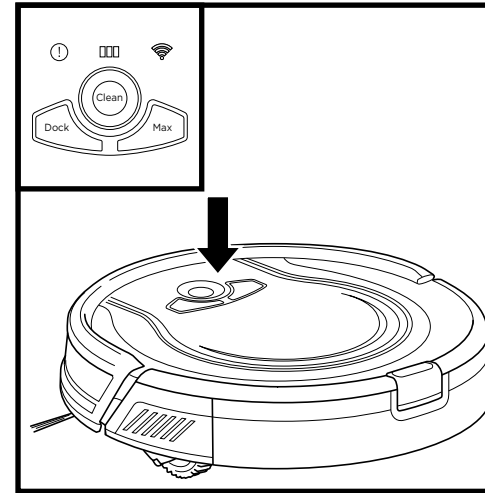
**NOTE:** If the low charge light is blinking red, there is not enough charge for the robot to return to the dock. Manually place the robot on the dock.

**TIP:** To preserve battery life, turn off the power switch if robot will not be used for a long period of time. Unit should be recharged at least once every three months.

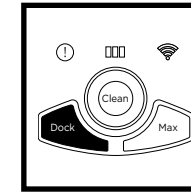
**IMPORTANT:** Before cleaning an entire room for the first time, we recommend that you first test your robot on a small section of the floor to ensure there is no scratching.

## USING THE SHARK ION ROBOT™

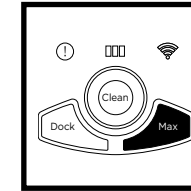
### BUTTONS AND INDICATOR LIGHTS



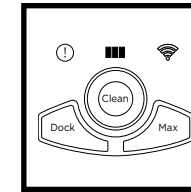
**CLEAN BUTTON**  
Press to begin a cleaning session. Press again to stop.



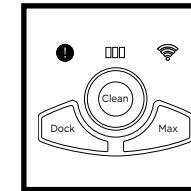
**DOCK BUTTON**  
Press to stop cleaning and send robot back to the charging dock.



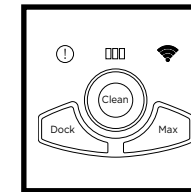
**MAX BUTTON**  
Press for more powerful cleaning.



**CHARGE INDICATOR LIGHTS**  
Display the amount of charge remaining in the battery.



**“!” ERROR INDICATOR**  
See Troubleshooting section for full list of error codes.



**WI-FI INDICATOR**  
Blue light: connected to Wi-Fi.  
Red light: not connected.  
Flashing blue: setup mode.  
No light: not set up yet.

### USING THE SHARKCLEAN™ APP AND VOICE CONTROLS

---

The Sharkclean app will guide you through easy setup of your robot.

**Control the unit remotely:**

- Schedule cleaning times for up to 7 days a week.
- Start, stop, or dock your robot from your phone anywhere with Wi-Fi connectivity.

**The app will also provide you access to:**

- Tips, Tricks, and FAQs
- Tech Support
- Troubleshooting

Search for **Sharkclean** in the app store and download the app to your iPhone™ or Android™.



### SETTING UP VOICE CONTROL WITH THE GOOGLE ASSISTANT OR AMAZON ALEXA

Visit [sharkclean.com/app](http://sharkclean.com/app) for setup instructions.

#### VOICE CONTROL COMMANDS FOR THE GOOGLE ASSISTANT OR AMAZON ALEXA:

**Google Assistant:**

- “OK Google, tell Shark to start cleaning.”
- “OK Google, tell Shark to pause my robot.”
- “OK Google, tell Shark to send my robot to the dock.”

**Amazon Alexa:**

- “Alexa, tell Shark to start cleaning.”
- “Alexa, tell Shark to pause my robot.”
- “Alexa, tell Shark to send my robot to the dock.”

### SETTING UP THE SHARKCLEAN™ APP

---

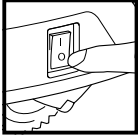
**Download the latest version of the Sharkclean app from the App Store or Google Play store.**

Follow instructions on the app to connect to the robot.

**To ensure the app successfully pairs with the robot:**

- Confirm your Wi-Fi router and/or home network supports a 2.4 GHz network.
- Confirm your Wi-Fi network name.
- Confirm your Wi-Fi network password.

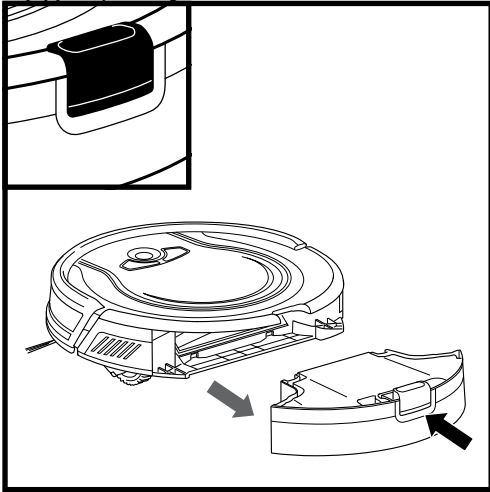
## MAINTENANCE



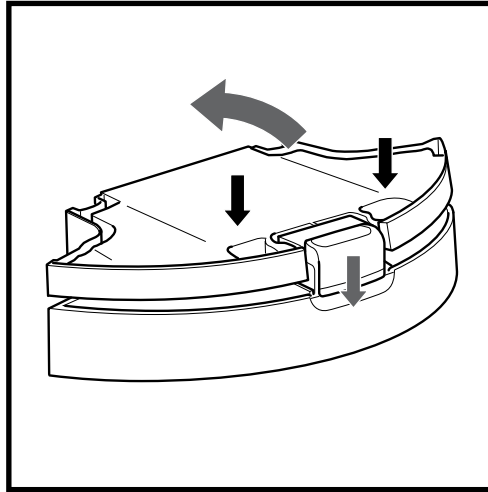
**CAUTION:** Turn off power before performing any maintenance.

### EMPTYING THE ROBOT DUST BIN

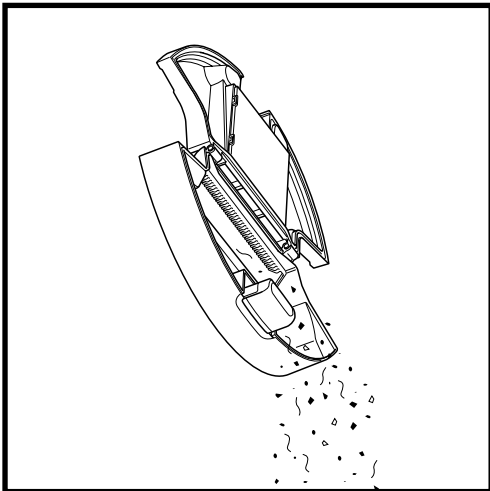
EMPTY DUST BIN AFTER EACH USE.



Press the **Dust Bin Release Button** and slide out the dust bin.



To open the dust bin lid, press and hold the button while lifting the lid, using the finger slots.

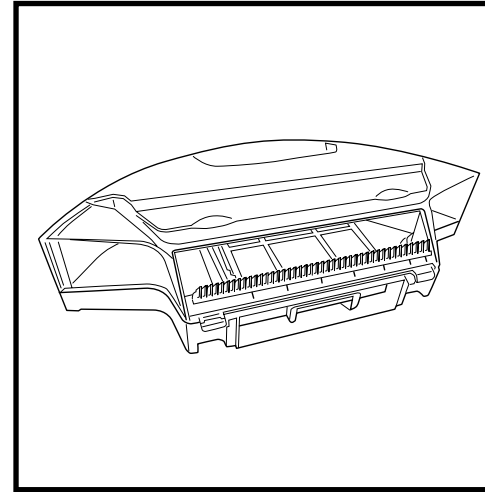


Empty debris and dust into trash.

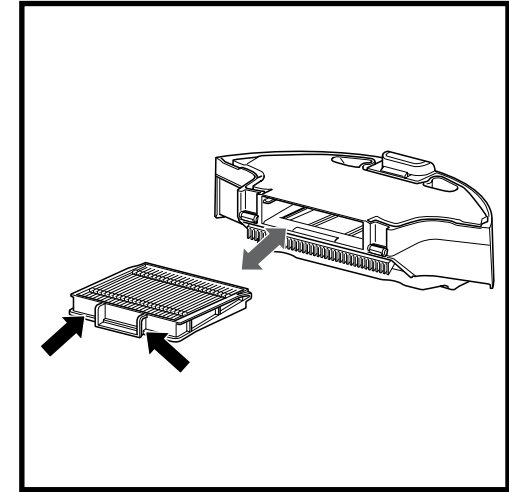
## MAINTENANCE

### CLEANING THE FILTER

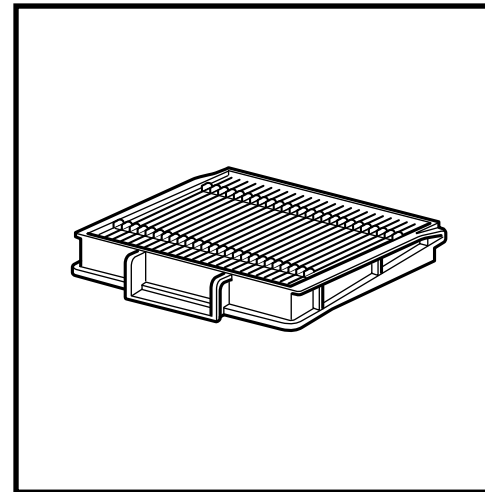
**CLEAN FILTER EVERY WEEK.**  
**REPLACE FILTER EVERY TWO MONTHS.** See [sharkaccessories.com](http://sharkaccessories.com) for replacement filters.



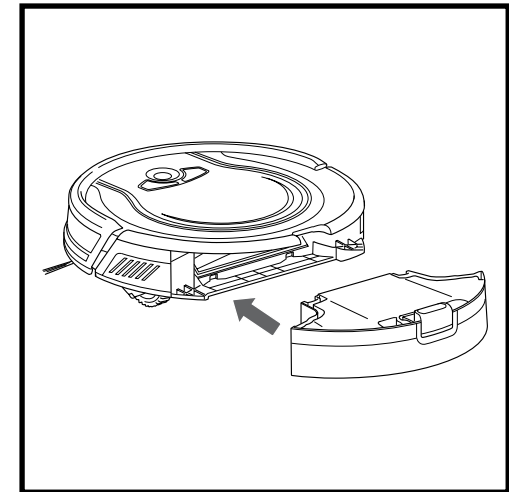
Remove and empty the dust bin. Clean any hair or debris off the **Anti-Tangle Comb** on the back of the dust bin.



Pull filter out of the dust bin by the tabs.



Lightly tap the filter to remove dust and debris.



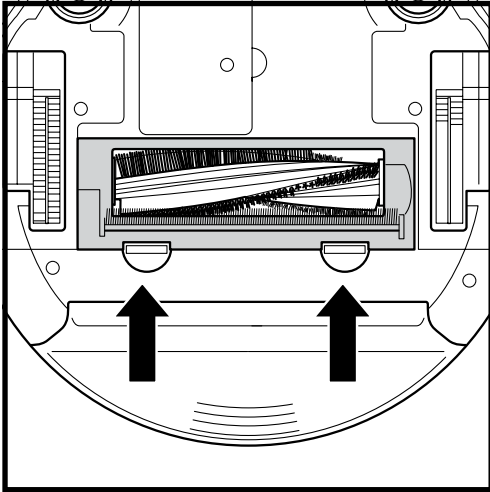
Reinsert the filter into the dust bin. Slide the dust bin back into the robot.



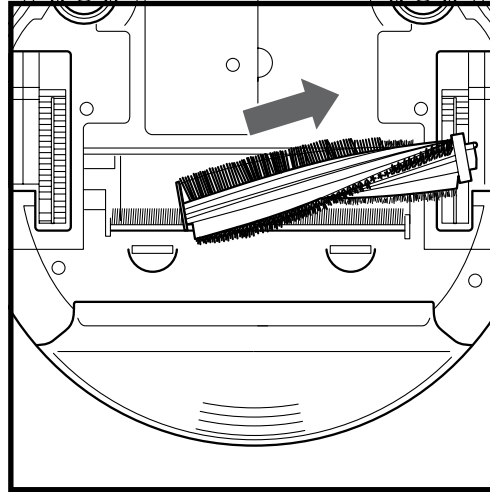
## MAINTENANCE

### CLEANING THE MULTI-SURFACE BRUSHROLL

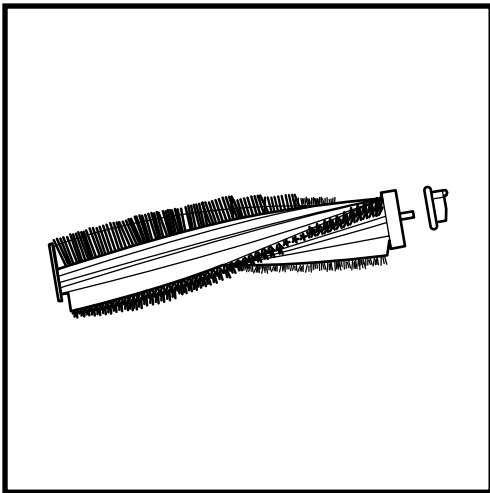
**THE BRUSHROLL NEEDS OCCASIONAL MAINTENANCE. REPLACE BRUSHROLL EVERY 6 TO 12 MONTHS, OR WHEN VISIBLY WORN.** See [sharkaccessories.com](http://sharkaccessories.com) for replacement parts.



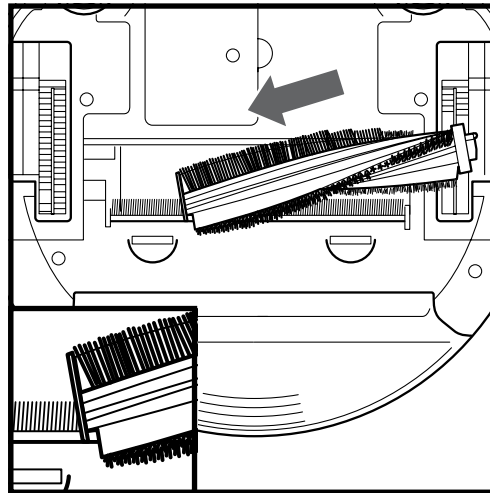
Push up on the tabs on the brushroll access door, then lift off the door.



Lift out the brushroll.



Remove the blue cap on the end of the brushroll. Do not let the metal cylinder inside the cap fall out. Clean off any hair or debris, then replace cap. Clean the brushroll periodically and whenever hair appears.



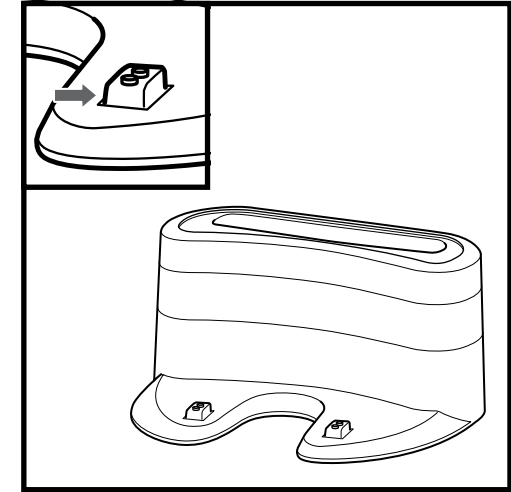
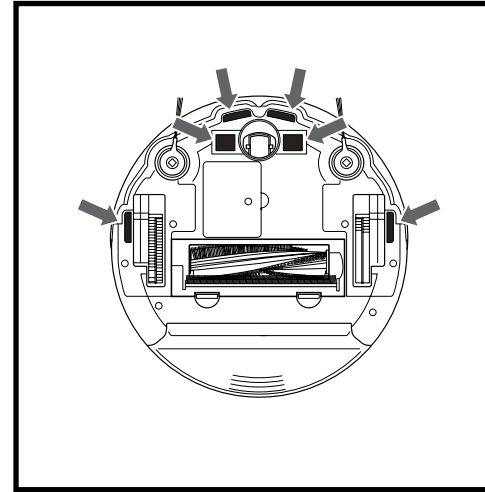
Reinstall the brushroll, inserting the flat end first. Close the brushroll access door and press down until it clicks into place.

**NOTE:** If the metal cylinder falls out of the brushroll cap, reinsert it in the hole on the inside of the cap. When cutting away debris, be sure not to cut the brushroll or any other parts of the robot.

## MAINTENANCE

### CLEANING SENSORS AND CHARGING PADS

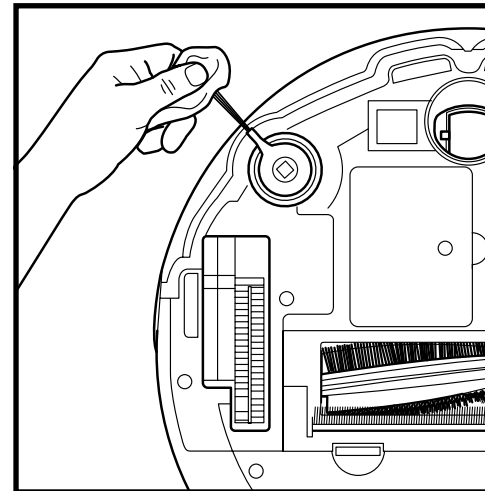
**CLEAN SENSORS AND CHARGING PADS PERIODICALLY AS NEEDED.** With a dry cloth or cleaning brush, gently dust off the sensors and pads located on the bottom of the robot.



**IMPORTANT:** The robot uses cliff sensors to avoid stairs and other steep drops. Sensors may work less effectively when they are dirty. For best results, clean sensors regularly.

### CLEANING SIDE BRUSHES

**CLEAN SIDE BRUSHES AS NEEDED. CHECK WEEKLY. RECOMMENDED REPLACEMENT SCHEDULE:** Replace when visibly worn. See [sharkaccessories.com](http://sharkaccessories.com) for replacement parts.



Carefully unwind and remove any string or hair wrapped around brushes. Gently wipe brushes with a damp cloth. Be sure to let them air-dry completely before reinstalling them.

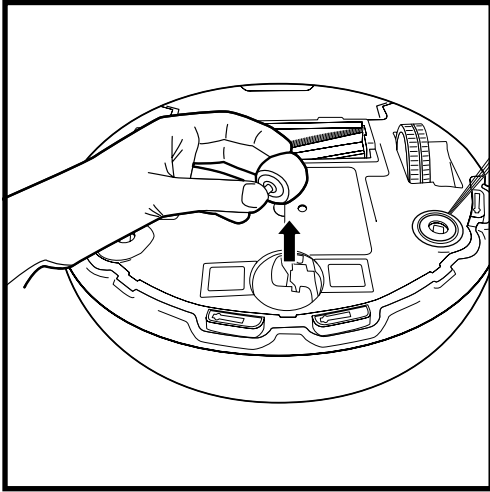
**NOTE:** Remove any side brushes that are bent or damaged. To remove a brush, lift it off its peg. See **Installing the Side Brushes** for instructions on how to attach and remove the brushes.



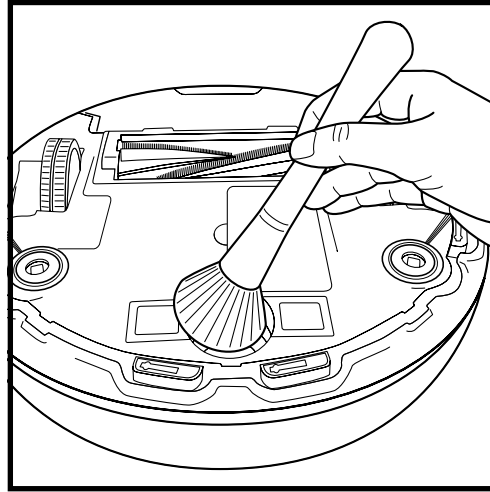
## MAINTENANCE

### CLEANING THE WHEELS

**REMOVE AND CLEAN FRONT WHEEL EVERY WEEK. REPLACE FRONT WHEEL EVERY 12 MONTHS.**  
See [sharkaccessories.com](http://sharkaccessories.com) for replacement parts.

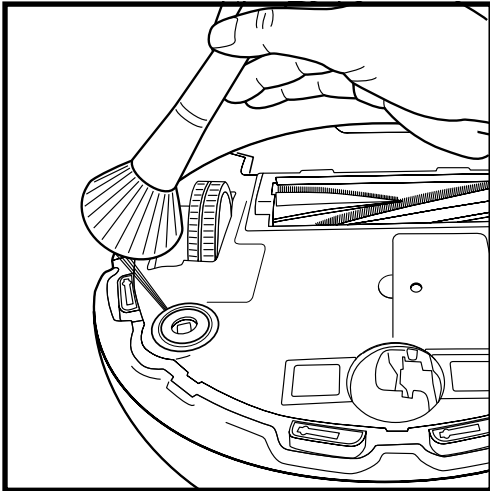


Pull the **Front Caster Wheel** from its housing and remove any debris buildup.



Clean the wheel housing, then reinsert the caster wheel.

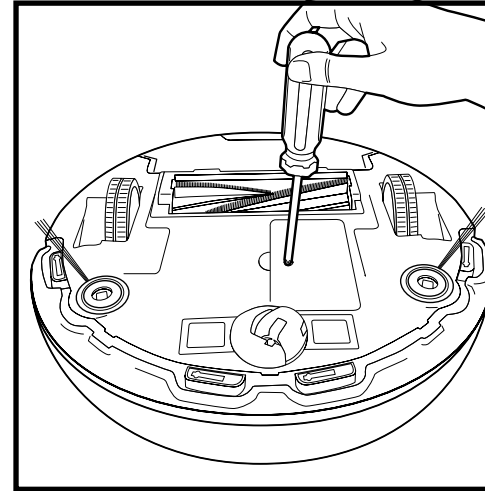
**NOTE:** Leverage may be required to remove the wheel.



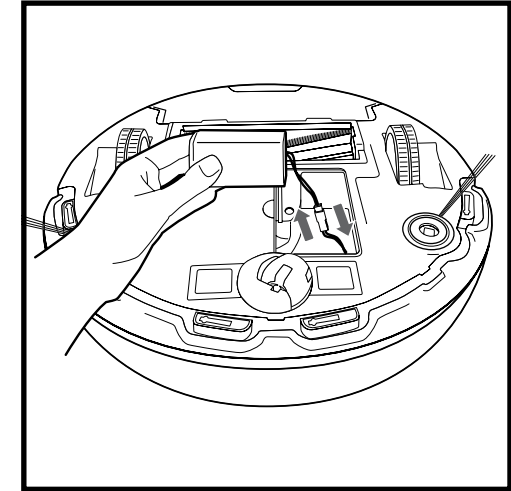
Periodically clean the drive wheels and the housing around them. To clean, rotate each drive wheel while dusting.

## MAINTENANCE

### REPLACING THE BATTERY



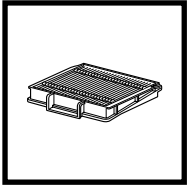
To remove the battery, turn the unit over and unscrew the battery cover with a Phillips-head screwdriver.



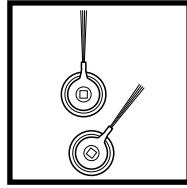
Unplug the old battery from its connector, then plug in the new battery. Replace battery cover and screw it back into place. See **Battery Removal and Disposal** on back cover.

## MAINTENANCE

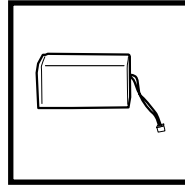
### REPLACEMENT PARTS



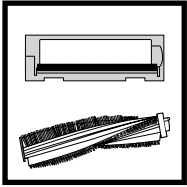
**Filter**  
1172FK870



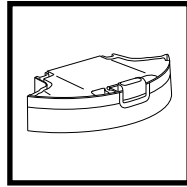
**Side Brushes**  
1171FK870



**Battery**  
RVBAT850



**Multi-Surface Brushroll Kit**  
3793NL870CN



**Robot Dust Bin**  
1178FTR700

**NOTE:** To order replacement parts and filters, visit [sharkaccessories.com](http://sharkaccessories.com).

## MAINTENANCE

### TROUBLESHOOTING

If any error lights are illuminated or flashing on your Shark Ion Robot™, see the error code chart below:

ERROR CODE	SOLUTION
<b>ALL LED LIGHTS</b> are off	The robot is in Sleep Mode, the power switch is turned off (O) or there is no charge remaining. Turn the power switch ON (I). Press any button to ensure robot is not in Sleep Mode. If all indicator lights remain off, there is no charge. Place the robot on the dock, leaving a half-inch space between the front of the robot and the face of the dock. When the robot is docked correctly and begins to charge, it will beep and the charge indicator lights will cycle.
<b>CLEAN (RED) + !</b> flashing together	Suction motor failure. Remove blockages and clean filters. Remove dust bin and make sure nothing is blocking suction.
<b>CLEAN (RED)</b> flashing	Robot may be stuck on an obstacle. Move robot to a new location on a level surface.
<b>MAX</b> flashing	Robot may be stuck on an obstacle. Move robot to a new location on a level surface. Front bumper may be jammed. Check bumper.
<b>DOCK</b> flashing	Your robot's BotBoundary® sensors are reporting an error. Please contact Customer Service at 1-888-228-5531.
<b>CLEAN (RED) + DOCK</b> flashing together	Cliff sensors are reporting an error. Wipe cliff sensors with a clean cloth. Robot cannot start due to an error. Turn off the power switch on the side of the robot, wait five seconds, then turn power back on. Ensure your robot is on a level surface with no obstructions.
<b>CLEAN (RED) + MAX</b> flashing together	The dust bin has been removed and needs to be reinserted.
<b>MAX + !</b> flashing together	A side brush is stuck. Remove debris from side brushes.
<b>CLEAN (RED) + MAX + !</b> flashing together	A drive wheel is stuck. Remove debris from wheel.
<b>DOCK + MAX + !</b> flashing together	Blockage in brushroll. Remove obstruction.
<b>DOCK + !</b> flashing together	Make sure you are using the dock that came with your robot.
<b>CLEAN (BLUE) + MAX + !</b> flashing together	The robot is caught in a tight space or on an obstacle. There is something stuck in the robot's front bumper. Clean any obstructions or debris from the bumper. Gently push the bumper up and down and back and forth, making sure it moves smoothly.
<b>CLEAN + DOCK + MAX + !</b> flashing together	The robot's wheels might be stuck, or something might be caught in them. Check the wheels for obstructions and remove anything that might be stuck or wrapped around the wheels. Press down on the wheels, then let them spring back into place. Rotate wheels back and forth.
<b>CLEAN + DOCK + MAX</b> flashing together	Robot is in <b>Find My Robot</b> mode. You can deactivate this mode in the app.

For all other issues, please call Customer Service at 1-888-228-5531.

## END-USER LICENSE AGREEMENT FOR SHARKNINJA SOFTWARE

**IMPORTANT: PLEASE READ THE TERMS AND CONDITIONS OF THIS LICENSE AGREEMENT CAREFULLY BEFORE CONTINUING WITH THIS PROGRAM INSTALL OR USE OF THIS PRODUCT:** SharkNinja Operating LLC's ("SharkNinja") End-User License Agreement ("EULA") is a legal agreement between You (either a single entity or an individual) and SharkNinja for SharkNinja's Software Applications, including those installed by You onto your SharkNinja products or already installed on your device, including all firmware (referred hereafter as "SN APPS"). By installing, copying, checking a box, clicking a button confirming your agreement to these terms, or otherwise continuing to use the SN APPS, You agree to be bound by the terms of this EULA. This license agreement represents the entire agreement concerning SN APPS between You and SharkNinja, and it supersedes any prior proposal, representation, or understanding between the parties. If You do not agree to the terms of this EULA, do not install or use the SN APPS or this product. The SN APPS are protected by copyright laws and international copyright treaties, as well as other intellectual property laws and treaties.

### 1. GRANT OF LICENSE. The SN APPS are licensed as follows:

- 1.1 Installation and Use. SharkNinja grants You the right to download, install, and use SN APPS on the specified platform for which the SN APP was designed and in connection with SharkNinja products with which the SN APPS are designed to operate ("SN Devices").
- 1.2 Backup Copies. You may also make a copy of SN APPS downloaded and installed by You for backup and archival purposes.
2. DESCRIPTION OF OTHER RIGHTS AND LIMITATIONS.
  - 2.1 Maintenance of Copyright Notices. You must not remove or alter any copyright notices on any and all copies of the SN APPS.
  - 2.2 Distribution. You may not distribute copies of the SN APPS to third parties.
  - 2.3 Prohibition on Reverse Engineering, Decompilation, and Disassembly. You may not reverse engineer, decompile, or disassemble SN APPS, except and only to the extent that such activity is expressly permitted by applicable law notwithstanding this limitation.
  - 2.4 Rental. You may not rent, lease, or lend SN APPS without written permission from SharkNinja.
  - 2.5 NOT FOR RESALE SOFTWARE. Applications identified as "Not for Resale" or "NFR," may not be resold, transferred, or used for any purpose other than demonstration, test, or evaluation.
  - 2.6 Support Services. SharkNinja may provide You with support services related to SN APPS ("Support Services"). Any supplemental software code provided to You as part of the Support Services shall be considered part of SN APPS and subject to the terms and conditions of this EULA.
  - 2.7 Compliance with Applicable Laws. You must comply with all applicable laws regarding use of SN APPS.
3. UPDATES. SharkNinja may provide You with upgrades or updates to SN APPS. This EULA will govern any upgrades provided by SharkNinja that replace and/or supplement SN APPS, unless such upgrade is accompanied by a separate EULA, in which case the terms of that EULA will govern. If You decide not to download and use an upgrade or update provided by SharkNinja, You understand that You could put SN Apps at risk to serious security threats or cause SN Apps to become unusable or unstable.

**4. DATA AND PRIVACY.** SharkNinja is committed to ensuring your privacy by adhering to high standards of fairness and integrity. We are committed to keeping our customers informed about how we use the information we gather from You through the use of each of our websites or SN APPS. Our privacy practices are described in SharkNinja's Privacy Policy, as well as in separate notices given when an app, product, or service is purchased or downloaded. By using SN APPS or providing us with your personal information, You are accepting and consenting to the practices, terms, and conditions described in SharkNinja's Privacy Policy. At all times your information will be treated in accordance with the SharkNinja Privacy Policy, which is incorporated by reference into this EULA and can be viewed at the following URL: <http://www.sharkninja.com/privacypolicy>.

### 5. THIRD-PARTY APPLICATION LIBRARIES AND EMBEDDED SOFTWARE.

- 5.1 You acknowledge that Ayla Networks, Inc. ("Ayla") has provided certain application libraries that have been embedded into SN APPS ("Ayla Application Libraries") and enables SN Devices to connect to the Ayla Cloud Service ("Ayla Embedded Software").
- 5.2 You will not use the Ayla Application Libraries except as an incorporated portion of SN APPS, unmodified from the form provided to You.
- 5.3 You will not use the Ayla Embedded Software except as an incorporated portion of SN Devices, unmodified from the form provided to You.
- 5.4 You will not modify, adapt, translate, or create derivative works based on, or decompile, disassemble, reverse engineer, or otherwise attempt to derive the source code or underlying algorithms of, the Ayla Application Libraries or the Ayla Embedded Software.
- 5.5 SharkNinja retains all ownership of SN APPS (and the Ayla Application Libraries contained therein) and any software installed on SN Devices (including the Ayla Embedded Software) and only a license thereto is granted to You for use in connection with the SN APPS and SN Devices.

## END-USER LICENSE AGREEMENT FOR SHARKNINJA SOFTWARE

5.6 You will not use the Ayla Application Libraries or Ayla Embedded Software to attempt to gain unauthorized access to or use of the systems/services of SharkNinja's other licensors; nor will You transmit viruses, worms, Trojan horses, time bombs, spyware, malware, cancelbots, passive collection mechanisms, robots, data mining software, or any other malicious or invasive code or program into the systems/services of SharkNinja's other licensors.

5.7 You will not use the Ayla Application Libraries or Ayla Embedded Software to interfere with, breach, or circumvent any security feature, authentication feature, or any other feature that restricts or enforces limitations on the use of, or access to, the systems/services of SharkNinja's other licensors.

5.8 You will not probe, attack, scan, or test the vulnerability of the systems/services of SharkNinja's other licensors.

5.9 SharkNinja's other licensors of the SN APPS, Ayla Application Libraries, and the Ayla Embedded Software are the express third-party beneficiaries of this EULA, and the provisions of this Section of this EULA are made expressly for the benefit of such licensors, and are enforceable by such licensors.

**6. TERMINATION.** Without prejudice to any other rights, SharkNinja may terminate this EULA if You fail to comply with the terms and conditions of this EULA. In such event, You must destroy all copies of SN APPS in your possession.

**7. COPYRIGHT.** All title, including but not limited to copyrights, in and to SN APPS and any copies thereof are owned by SharkNinja or its suppliers. All title and intellectual property rights in and to the content which may be accessed through use of SN APPS are the property of the respective content owner and may be protected by applicable copyright or other intellectual property laws and treaties. This EULA grants You no rights to use such content. All rights not expressly granted are reserved by SharkNinja.

**8. OPEN SOURCE SOFTWARE.** You hereby acknowledge that SN APPS may contain software that is subject to "open source" or "free software" licenses ("Open Source Software"). The license granted by this EULA does not apply to Open Source Software contained in the SN APPS. Rather, the terms and conditions in the applicable Open Source Software license shall apply to the Open Source Software. Nothing in this EULA limits your rights under, or grants You rights that supersede, any Open Source Software license. You acknowledge that the Open Source Software license is solely between You and the applicable licensor of the Open Source Software. To the extent the terms of the licenses applicable to the Open Source Software require SharkNinja to make an offer to provide the Open Source Software, such offer is hereby made, and You may exercise it by contacting SharkNinja at the below address.

**9. NO WARRANTIES.** SharkNinja expressly disclaims any warranty for SN APPS, Ayla Application Libraries, or Ayla Embedded Software. SN APPS, Ayla Application Libraries, and Ayla Embedded Software are provided 'As Is' without any express or implied warranty of any kind, including but not limited to any warranties of merchantability, noninfringement, fitness of a particular purpose, or title. SharkNinja does not warrant or assume responsibility for the accuracy or completeness of any information, text, graphics, links, or other items contained within the SN APPS. SharkNinja makes no warranties respecting any harm that may be caused by the transmission of a computer virus, worm, logic bomb, or other such computer program. SharkNinja further expressly disclaims any warranty or representation to any third party.

**10. LIMITATION OF LIABILITY.** In no event shall SharkNinja or its suppliers be liable for any special, incidental, punitive, indirect, or consequential damages whatsoever (including, but not limited to, damages for loss of profits or confidential or other information, for business interruption, for personal injury, for loss of privacy, for failure to meet any duty including of good faith or of reasonable care, for negligence, and for any other pecuniary or other loss whatsoever) arising out of or in any way related to the use of or inability to use SN Devices or SN APPS, the provision of or failure to provide support or other services, information, software, and related content through the product or otherwise arising out of the use of SN APPS, or otherwise under or in connection with any provision of this EULA, even in the event of the fault, tort (including negligence), strict liability, breach of contract, or breach of warranty of SharkNinja or any supplier, and even if SharkNinja or any supplier has been advised of the possibility of such damages. SharkNinja shall have no liability with respect to the content of the SN APPS or any part thereof, including but not limited to errors or omissions contained therein, libel, infringements of rights of publicity, privacy, trademark rights, business interruption, personal injury, loss of privacy, moral rights, or the disclosure of confidential information.

**11. APPLICABLE LAW.** The laws of the Commonwealth of Massachusetts will govern this EULA and You hereby consent to exclusive jurisdiction and venue in the state and federal courts sitting in the Commonwealth of Massachusetts.

**12. ASSIGNMENT.** SharkNinja may assign this EULA without notice to Licensor.

**13. ENTIRE AGREEMENT.** This EULA (including any addendum or amendment to this EULA which is included with the SN Devices) is the entire agreement between You and SharkNinja relating to the SN APPS and supersedes all prior or contemporaneous oral or written communications, proposals and representations with respect to the SN APPS or any other subject matter covered by this EULA. To the extent the terms of any SharkNinja policies or programs for support services conflict with the terms of this EULA, the terms of this EULA shall control.

If You have questions regarding this EULA, please contact SharkNinja at 89 A Street, Suite 100, Needham, MA 02494.

## ONE (1) YEAR LIMITED WARRANTY

The One (1) Year Limited Warranty applies to purchases made from authorized retailers of **SharkNinja Operating LLC**. Warranty coverage applies to the original owner and to the original product only and is not transferable.

SharkNinja warrants that the unit shall be free from defects in material and workmanship for a period of one (1) year from the date of purchase when it is used under normal household conditions and maintained according to the requirements outlined in the Owner's Guide, subject to the following conditions and exclusions:

### What is covered by this warranty?

1. The original unit and/or non-wearable components deemed defective, in SharkNinja's sole discretion, will be repaired or replaced up to one (1) year from the original purchase date.
2. In the event a replacement unit is issued, the warranty coverage ends six (6) months following the receipt date of the replacement unit or the remainder of the existing warranty, whichever is later. SharkNinja reserves the right to replace the unit with one of equal or greater value.

### What is not covered by this warranty?

1. Normal wear and tear of wearable parts (such as foam filters, HEPA filters, pads, etc.), which require regular maintenance and/or replacement to ensure the proper functioning of your unit, are not covered by this warranty. Replacement parts are available for purchase at [sharkaccessories.com](http://sharkaccessories.com).
2. Any unit that has been tampered with or used for commercial purposes.
3. Damage caused by misuse (e.g., vacuuming up water or other liquids), abuse, negligent handling, failure to perform required maintenance (e.g., not cleaning the filters), or damage due to mishandling in transit.
4. Consequential and incidental damages.
5. Defects caused by repair persons not authorized by SharkNinja. These defects include damages caused in the process of shipping, altering, or repairing the SharkNinja product (or any of its parts) when the repair is performed by a repair person not authorized by SharkNinja.
6. Products purchased, used, or operated outside North America.

### How to get service

If your appliance fails to operate properly while in use under normal household conditions within the warranty period, visit [sharkclean.com/support](http://sharkclean.com/support) for product care and maintenance self-help. Our Customer Service Specialists are also available at **1-888-228-5531** to assist with product support and warranty service options, including the possibility of upgrading to our VIP warranty service options for select product categories.

SharkNinja will cover the cost for the customer to send in the unit to us for repair or replacement. A fee of \$24.95 (subject to change) will be charged when SharkNinja ships the repaired or replacement unit.

### How to initiate a warranty claim

You must call **1-888-228-5531** to initiate a warranty claim. Before calling to file a claim register your product on [www.registeryourshark.com](http://www.registeryourshark.com). To better assist you please have your Shark with you at the time of the call. You will need the receipt as proof of purchase. A Customer Service Specialist will provide you with return and packing instruction information.

### How state law applies

This warranty gives you specific legal rights, and you also may have other rights that vary from state to state. Some states do not permit the exclusion or limitation of incidental or consequential damages, so the above may not apply to you.

## REGISTER YOUR PURCHASE



[registeryourshark.com](http://registeryourshark.com)



## RECORD THIS INFORMATION

Model Number: \_\_\_\_\_

Date Code: \_\_\_\_\_

Date of Purchase: \_\_\_\_\_  
(Keep receipt)

Store of Purchase: \_\_\_\_\_

**TIP:** You can find the model and serial numbers on the QR code labels on the bottom of the robot and battery.

## EXPECTED PERFORMANCE

Expected runtime: 60 minutes

Expected charging time: 3 hours

## BATTERY REMOVAL AND DISPOSAL

This product uses a battery. When the battery no longer holds a charge, it should be removed from the vacuum and recycled. **DO NOT** incinerate or compost the battery.

When your lithium-ion battery needs to be replaced, dispose of it or recycle it in accordance with local ordinances or regulations. In some areas, it is illegal to place spent lithium-ion batteries in the trash or in a municipal solid waste stream. Return spent battery to an authorized recycling center or to retailer for recycling. Contact your local recycling center for information on where to drop off the spent battery.

**For more information on battery removal for disposal, please visit [sharkclean.com/batterysupport](http://sharkclean.com/batterysupport).**

The RBRC™ (Rechargeable Battery Recycling Corporation) seal on the lithium-ion battery indicates that the costs to recycle the battery at the end of its useful life have already been paid by SharkNinja. In some areas, it is illegal to place spent lithium-ion batteries in the trash or municipal solid waste stream and the RBRC program provides an environmentally conscious alternative.

RBRC, in cooperation with SharkNinja and other battery users, has established programs in the United States and Canada to facilitate the collection of spent lithium-ion batteries. Help protect our environment and conserve natural resources by returning the spent lithium-ion battery to an authorized SharkNinja service center or to your local retailer for recycling. You may also contact your local recycling center for information on where to drop off the spent battery, or call 1-888-228-5531.

# CONSIGNES DE SÉCURITÉ IMPORTANTES

## VEUILLEZ LES LIRE ATTENTIVEMENT AVANT L'UTILISATION • POUR UN USAGE DOMESTIQUE SEULEMENT

Si le cordon d'alimentation du chargeur ne s'insère pas à fond dans la prise de courant, inversez alors le sens de la fiche. Si elle ne s'insère toujours pas, communiquez avec un électricien qualifié. **NE FORCEZ PAS** pour insérer la fiche dans la prise et ne tentez pas de la modifier.

## ⚠ AVERTISSEMENT

Afin de réduire les risques d'incendie, de décharges électriques, de blessure ou de dommage matériel :

### AVERTISSEMENTS GÉNÉRAUX

Lors de l'utilisation d'un appareil électrique, il faut toujours suivre les précautions de base, y compris les suivantes :

1. Aspirateur robot qui comprend l'aspirateur robot et une base de chargement ainsi qu'un bloc d'alimentation. Ces composantes comportent des raccordements électriques, du filage électrique et des pièces amovibles pouvant exposer l'utilisateur à certains risques.
2. Avant chaque utilisation, inspectez soigneusement toutes les pièces afin de déceler tout dommage. Si une pièce est endommagée, cessez son utilisation.
3. Utilisez uniquement des pièces de rechange identiques.
4. Cet aspirateur robot ne renferme aucune pièce qui peut être réparée.
5. Utilisez cet appareil uniquement aux fins décrites dans ce manuel. **N'UTILISEZ PAS** l'aspirateur robot pour un usage autre que ceux décrits dans le présent manuel.
6. À l'exception des filtres, **N'EXPOSEZ** aucune des pièces de l'aspirateur robot à l'eau ou à d'autres liquides.

### Avertissements concernant l'utilisation

7. Cet appareil peut être utilisé par des personnes dont les capacités physiques, sensorielles ou mentales sont réduites ou qui manquent d'expérience et de connaissances si ces personnes sont supervisées ou informées sur l'utilisation sécuritaire de l'appareil et s'ils comprennent les dangers possibles.
  - a) Les enfants ne doivent pas jouer avec l'appareil.
  - b) Les enfants ne peuvent pas nettoyer ni entretenir l'appareil sans supervision.
8. Éteignez toujours l'aspirateur robot avant d'insérer ou de retirer le filtre ou le récipient à poussière.
9. **NE MANIPULEZ PAS** la prise, la station de recharge, le cordon d'alimentation ou l'aspirateur robot avec les mains mouillées. Les enfants ne peuvent pas nettoyer ni entretenir l'appareil sans supervision.

10. **N'UTILISEZ PAS** l'appareil sans que le récipient à poussière du robot et tous les filtres soient bien en place.
11. **N'ENDOMMAGEZ PAS** le cordon d'alimentation :
  - a) **N'UTILISEZ PAS** le cordon comme une poignée pour porter ou tirer la station de recharge.
  - b) **NE DÉBRANCHEZ PAS** l'appareil en tirant le cordon d'alimentation. Agrippez la fiche non le cordon.
  - c) **NE FERMEZ PAS** une porte sur le cordon, ne tirez pas le cordon sur des coins pointus et ne laissez pas le cordon près de surfaces chaudes.
12. **ÉVITEZ** d'insérer des objets dans les ouvertures de la buse ou de tout autre accessoire. **N'UTILISEZ PAS** l'appareil si une ouverture est obstruée. Veillez à ce que les ouvertures ne soient pas bloquées par de la poussière, de la peluche, des cheveux ou tout autre élément qui pourrait gêner la circulation de l'air.
13. **N'UTILISEZ PAS** l'aspirateur robot si son débit d'air est obstrué. Si les conduits d'air se bloquent, éteignez l'aspirateur et retirez toutes les obstructions avant d'allumer l'appareil de nouveau.
14. Tenez la buse et tous les orifices de l'aspirateur éloignés des cheveux, du visage, des doigts, des pieds déchaussés ou de vêtements amples.
15. **N'UTILISEZ PAS** l'aspirateur robot s'il ne fonctionne pas comme prévu, ou s'il a été échappé sur le sol, endommagé, laissé à l'extérieur ou immergé.
16. **NE PLACEZ PAS** l'aspirateur sur des surfaces instables.
17. **N'UTILISEZ PAS** l'appareil pour aspirer :
  - a) Des liquides
  - b) De gros objets
  - c) Des objets durs ou tranchants (verre, clous, vis ou pièces de monnaie)
  - d) De grandes quantités de poussière (poussière de cloison sèche, cendres ou braises de foyer). **N'UTILISEZ PAS** l'aspirateur comme accessoire d'un outil électrique pour l'aspiration de la poussière.

- e) Des objets produisant de la fumée ou à combustion (braises chaudes, embouts de cigarettes ou allumettes)
  - f) Des matières inflammables ou combustibles (essence à briquet, essence ou kérosène)
  - g) Des matières toxiques (eau de Javel, ammoniaque ou produit débouchant)
18. **N'UTILISEZ PAS** l'appareil dans les endroits suivants :
    - a) Des surfaces humides ou mouillées
    - b) À l'extérieur
    - c) Dans des endroits fermés pouvant contenir des matières explosives ou des fumées ou vapeurs toxiques (essence à briquet, essence, kérosène, peinture, diluants à peinture, produits de traitement antimites ou poussières inflammables)
    - d) Près des cheminées avec entrées sans obstruction.
    - e) Dans un endroit où se trouve un appareil de chauffage autonome.
  19. Éteignez l'aspirateur robot avant de procéder à tout ajustement, nettoyage, entretien ou dépannage.
  20. Laissez tous les filtres sécher complètement avant de les remettre dans l'aspirateur robot pour éviter que du liquide ne soit aspiré dans les composants électriques.
  21. **NE MODIFIEZ PAS** ni ne tentez de réparer l'aspirateur robot ou la batterie vous-même, à moins d'indication contraire dans ce manuel. **N'UTILISEZ PAS** l'aspirateur s'il a été modifié ou endommagé.
  22. Afin de réduire le risque d'électrocution, cet appareil est muni d'une fiche polarisée (une lame étant plus large que l'autre). Cette fiche d'alimentation s'insère dans une prise de courant polarisée dans un seul sens. Si la fiche ne s'insère pas entièrement dans la prise, inversez-la. Si elle ne s'insère toujours pas, communiquez avec un électricien qualifié pour faire installer une prise de courant appropriée. Ne modifiez pas la fiche d'alimentation, de quelque façon que ce soit.

### UTILISATION DE LA BATTERIE

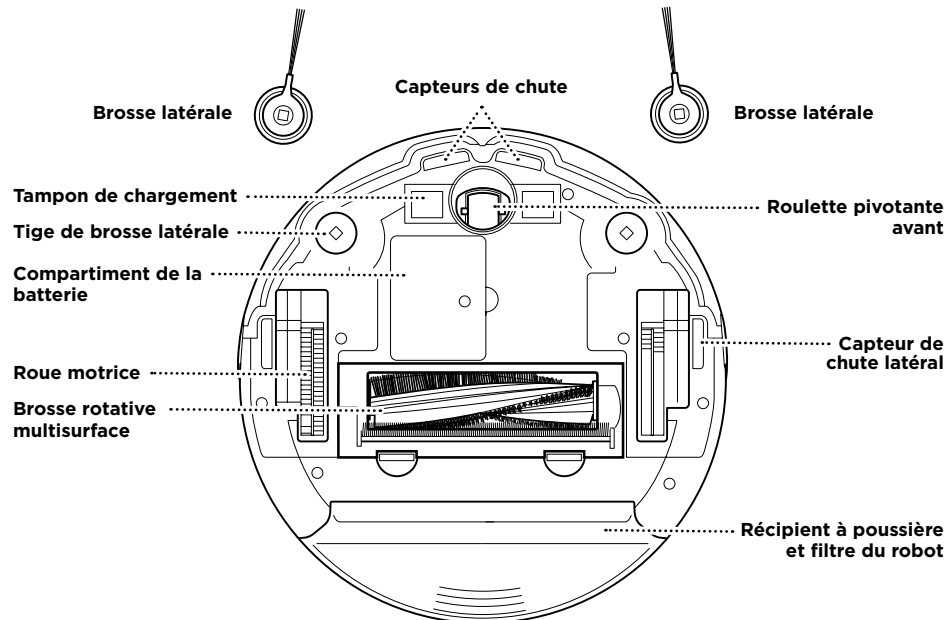
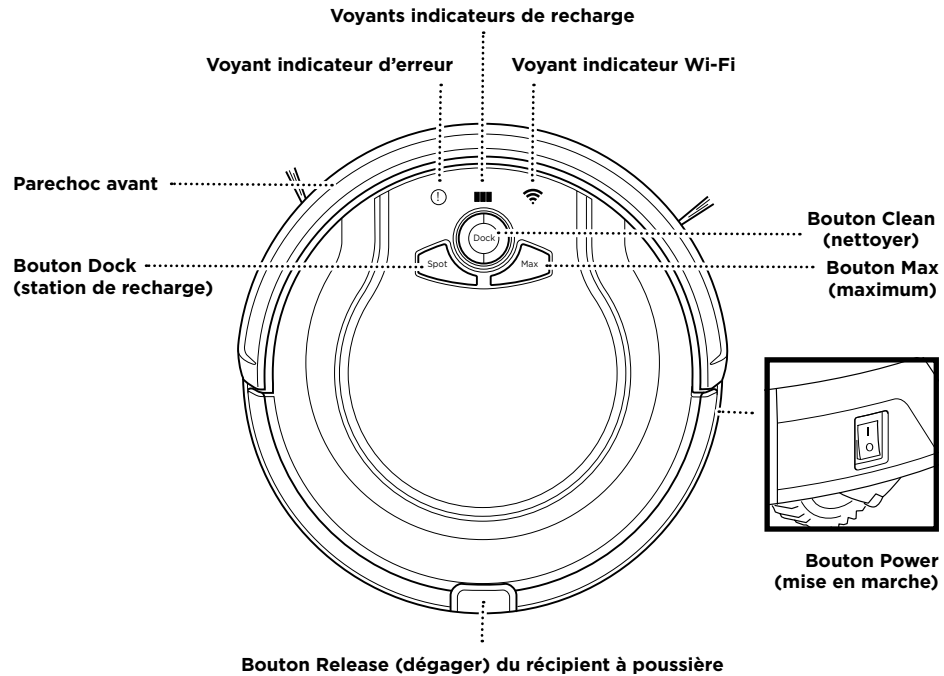
23. La batterie est la source d'alimentation de l'aspirateur. Lisez attentivement et respectez les instructions de chargement.
24. Afin d'éviter qu'il ne se mette en marche par erreur, assurez-vous que l'aspirateur est éteint avant de le soulever ou de le transporter. **NE TRANSPORTEZ PAS** l'appareil avec votre doigt sur l'interrupteur d'alimentation.
25. Utilisez **UNIQUEMENT** la station de recharge Shark® XSKRVDock et la batterie RVBAT850. L'utilisation d'autres chargeurs ou d'autres batteries que celles-ci pourrait causer un risque d'incendie.
26. Gardez la batterie à l'écart des objets métalliques comme des trombones, de la monnaie, des clés, des clous ou des vis. Court-circuiter les bornes de la batterie augmente le risque d'incendie ou de brûlures.
27. Si la batterie est utilisée de façon inappropriée, il se peut que du liquide s'en échappe. Évitez le contact avec ce liquide, car il pourrait causer des irritations ou des brûlures. En cas de contact, rincez à l'eau. Si le liquide entre en contact avec les yeux, obtenez de l'aide médicale.
28. L'aspirateur robot ne doit pas être entreposé, chargé ou utilisé à des températures inférieures à 10 °C (50 °F) ou supérieures à 40 °C (104 °F). Assurez-vous que la batterie et l'aspirateur sont à température pièce avant de les recharger ou de les utiliser. L'exposition du robot ou de la batterie à des températures hors de la plage indiquée peut endommager l'appareil et augmenter le risque d'incendie.
29. **N'EXPOSEZ PAS** l'aspirateur robot ou la batterie au feu ou à une température supérieure à 130 °C (265 °F), car cela peut provoquer une explosion.
30. Les batteries non rechargeables ne peuvent pas être rechargées.

## CONSERVEZ CES INSTRUCTIONS

Pour les mises en garde et les avertissements les plus récents, allez à [sharkclean.com/robothelp](https://sharkclean.com/robothelp)

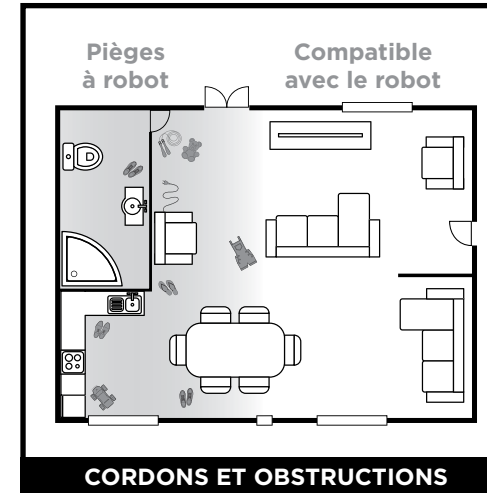


## À PROPOS DU SHARK ION ROBOT™

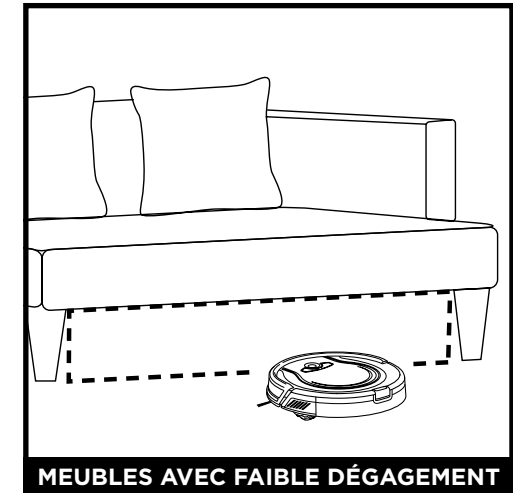


## À PROPOS DU SHARK ION ROBOT™

Grâce à la **Navigation Auto-Sense™**, votre robot utilise une gamme de capteurs pour naviguer autour des murs, des pieds de meuble et d'autres obstacles au fur et à mesure qu'il nettoie. Le robot pourrait se heurter soigneusement aux obstructions ou traîner dans un seul endroit, et il pourrait ne pas couvrir chaque zone dans un seul nettoyage. Pour de meilleurs résultats, préparez votre maison comme indiqué ci-dessous, et planifiez un nettoyage quotidien afin de vous assurer que toutes les zones du sol sont entretenues de façon régulière.



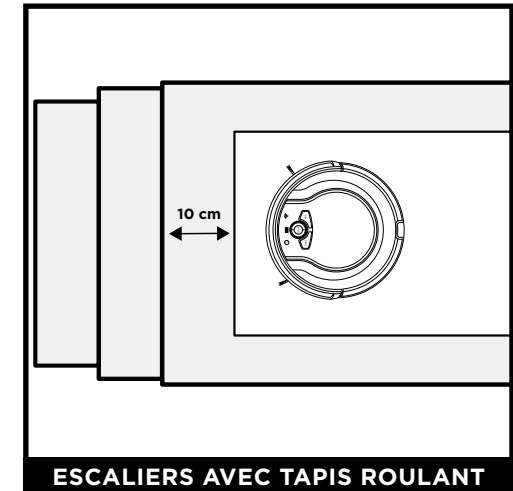
Avant le nettoyage, déplacez les cordons et éliminez les obstructions.



Pour éviter que votre robot ne se coince, utilisez des rehausseurs de mobilier.



Si votre robot va trop loin, il pourrait avoir de la difficulté à revenir à la **Station de recharge**. Il peut être utile de bloquer une partie de votre maison ou d'ajouter une seconde station de recharge (disponibles sur [sharkaccessories.com](http://sharkaccessories.com)).



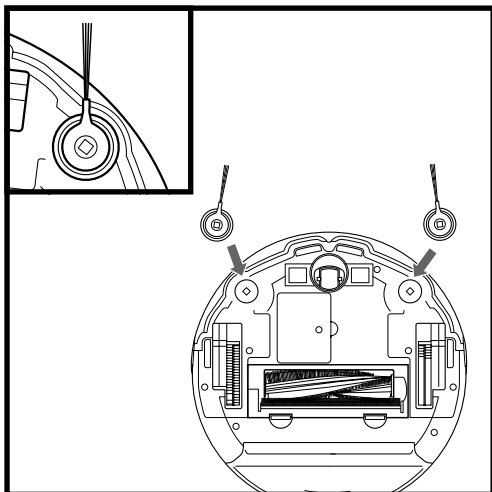
Pour que les capteurs de chute de votre robot fonctionnent adéquatement, tous les tapis ou les carpettes doivent être placés à un minimum de 10 cm (4 po) des escaliers (ou se prolonger par-dessus la limite des marches).

Si l'extrémité d'un tapis ou d'une carpette est à moins de 4 pouces des marches et ne peut être déplacée, utilisez une lanière BotBoundary® pour bloquer l'accès aux escaliers.

Pour commander des lanière BotBoundary, visitez [le sharkaccessories.com](http://sharkaccessories.com).

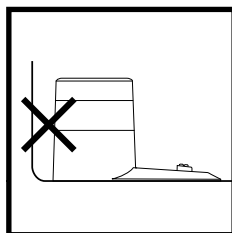
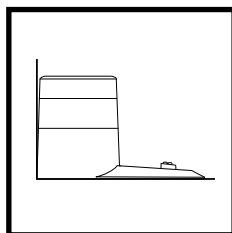
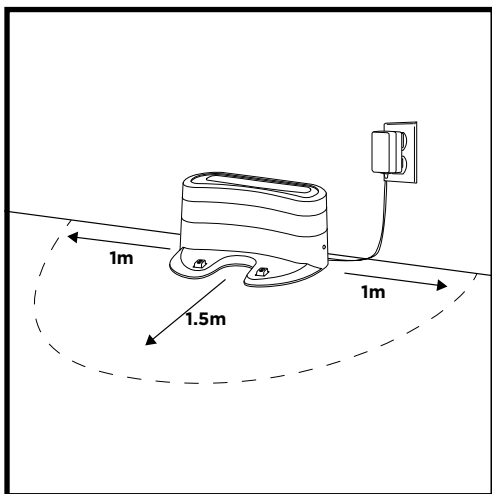
## PRÉPARATION POUR UTILISATION

### INSTALLATION DES BROSSES LATÉRALES



Insérez les deux **Brosses latérales** comprises dans les chevilles carrées au bas du robot.

### CONFIGURATION DE LA STATION DE RECHARGE

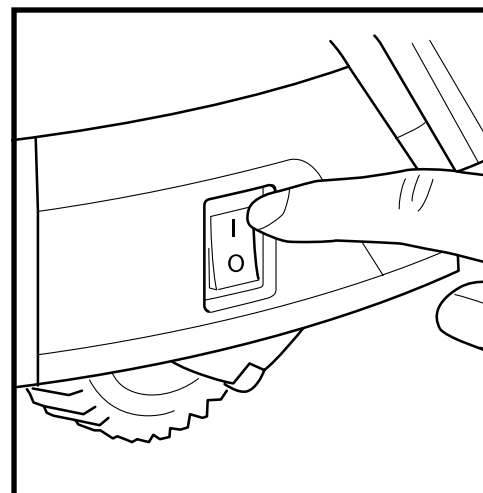


Mettez la station de recharge sur une surface au niveau avec la partie arrière contre un mur, dans un espace sans obstruction et facile à atteindre par votre aspirateur robot. Enlevez tous les objets situés à moins de 1 mètre (3 pieds) de chaque côté de la station ou à moins de 1,52 mètre (5 pieds) à l'avant de la station. Branchez l'**Adaptateur du chargeur** dans une prise murale. La station de recharge doit être branchée en continu pour que le robot puisse la trouver. Le voyant DEL sur la station passe à vert lorsque le produit est sous tension. Le robot émettra un signal sonore lorsqu'il commence à se charger sur la station.

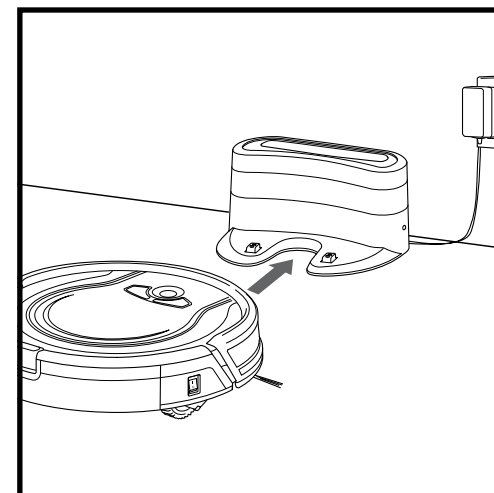
## CHARGE DU SHARK ION ROBOT™

### EN CHARGE

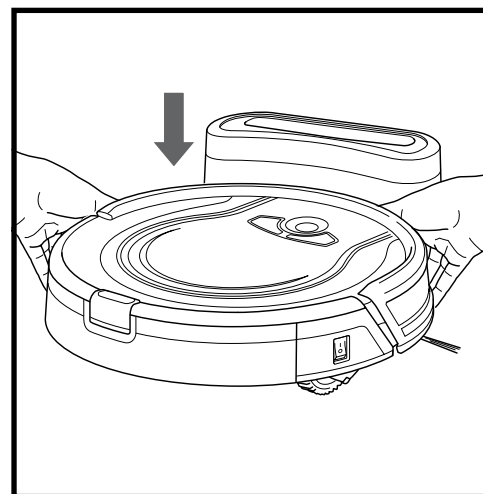
**IMPORTANT :** Le Shark ION Robot est doté d'une batterie rechargeable préinstallée. La batterie doit être complètement chargée avant l'utilisation de l'appareil.



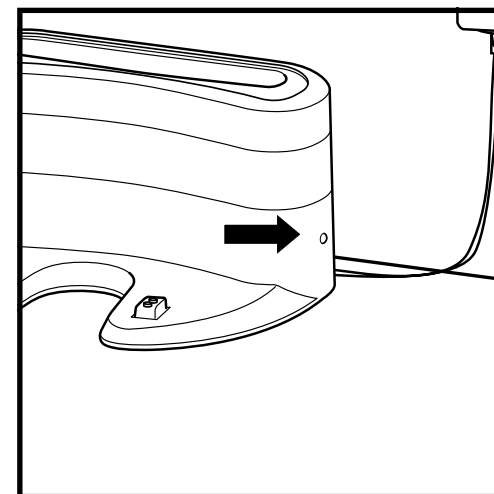
Pour charger, mettez le bouton **Power** (mise en marche) situé sur le côté du robot à la position ON (marche) (I).



Lorsque le cycle de nettoyage se termine, ou si la batterie est faible, le robot recherchera la station de recharge. Si votre robot ne retourne pas à la station, la charge de la batterie est peut-être épuisée.



Si le robot n'a plus de charge et ne peut pas retourner à la station de recharge, placez-le vous-même sur la station.

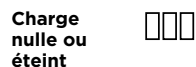
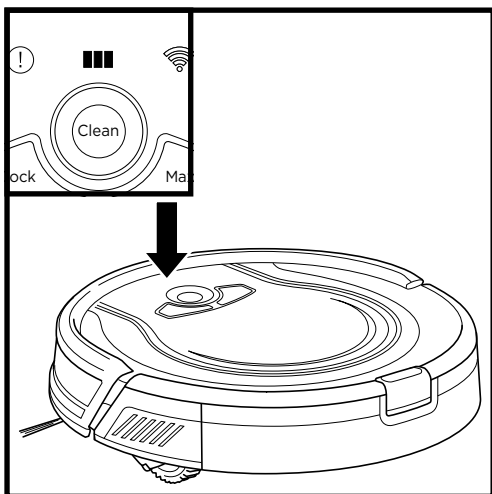


Le voyant DEL sur le côté de la station sera vert lorsque la station est sous tension. Lorsque le robot est placé sur la station, le voyant DEL deviendra bleu.

**REMARQUE :** Lors du placement manuel du robot sur la station de recharge, assurez-vous que les **Tampons de chargement** au bas du robot sont alignés à la station. Pour vous assurer que le robot est correctement positionné dans la station de recharge, consultez la section **Voyants indicateurs de recharge**.



VOYANTS INDICATEURS DE RECHARGE



Les voyants indicateurs de recharge bleus indiquent la charge restante.

Pendant que l'appareil se recharge, les trois voyants DEL bleus s'allumeront en alternance. Une fois l'appareil complètement chargé, les trois voyants bleus s'allumeront en même temps.

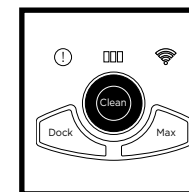
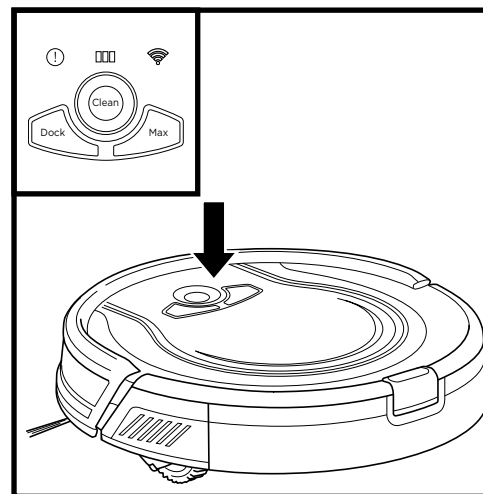
Si le robot est en mode inactif et à l'écart de la station de recharge pendant 10 minutes, il entrera en **Mode veille** et les voyants indicateur s'éteindront, mais le voyant de nettoyage restera allumé. Réveillez le robot en appuyant sur n'importe quel bouton.

**REMARQUE :** Si le voyant de charge faible clignote en rouge, il n'y a pas assez de charge pour que le robot puisse revenir à la station. Placez manuellement le robot sur la station de recharge.

**CONSEIL :** Pour préserver la durée de vie de la batterie lorsque le robot n'est pas utilisé pendant une période prolongée, mettez l'interrupteur d'alimentation en position d'arrêt. L'appareil doit être rechargé au moins une fois par trimestre.

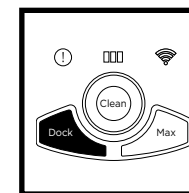
**IMPORTANT :** Avant de nettoyer une pièce entière pour la première fois, nous vous recommandons de tester d'abord votre appareil sur une petite partie du plancher afin de vous assurer qu'il ne cause pas de rayures.

BOUTONS ET VOYANTS INDICATEURS



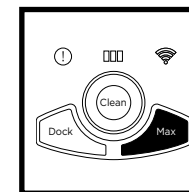
**BOUTON CLEAN (nettoyer)**

Appuyez pour commencer un cycle de nettoyage. Appuyez à nouveau sur le bouton pour l'arrêter.



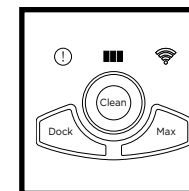
**BOUTON DOCK (station de recharge)**

Appuyez pour arrêter le nettoyage et renvoyer l'appareil sur la station de recharge.



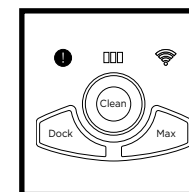
**BOUTON MAX (maximum)**

Appuyez dessus pour un nettoyage plus puissant.



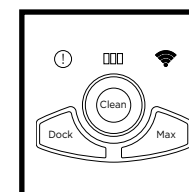
**VOYANTS INDICATEURS DE RECHARGE**

Ces voyants indiquent la quantité de charge restante dans la batterie.



**VOYANT INDICATEUR D'ERREUR « ! »**

Consultez la section Dépannage pour voir la liste complète des codes d'erreurs.



**VOYANT INDICATEUR WI-FI**

Voyant bleu : connecté au Wi-Fi.  
Voyant rouge : non connecté.  
Voyant bleu clignotant : mode de configuration.  
Aucun voyant : pas encore configuré.

### UTILISATION DE L'APPLICATION SHARKCLEAN™ ET DES COMMANDES VOCALES

L'application Sharkclean vous guidera lors de la configuration de votre robot.

**Contrôle de l'appareil à distance :**

- Programmez les heures de nettoyage jusqu'à 7 jours par semaine.
- Mettez en marche, arrêtez ou rechargez votre robot à partir de votre téléphone à tout endroit doté d'une connexion Wi-Fi.

**L'application vous fournit également l'accès à ce qui suit :**

- Astuces, guides et FAQ
- Assistance technique
- Guide de dépannage

Recherchez **Shark Clean** dans l'App Store et téléchargez l'application sur votre iPhone™ ou Android™.



### RÉGLAGE DE LA COMMANDE VOCALE AVEC L'ASSISTANT GOOGLE OU ALEXA D'AMAZON

Visitez [sharkclean.com/app](http://sharkclean.com/app) pour obtenir les instructions d'installation.

#### COMMANDES VOCALES POUR L'ASSISTANT GOOGLE OU ALEXA D'AMAZON :

**Assistant Google :**

- « OK Google, dis à Shark de commencer le nettoyage. »
- « OK Google, dis à Shark d'arrêter mon robot. »
- « OK Google, dis à Shark d'envoyer mon robot à la station de recharge. »

**Alexa d'Amazon :**

- « Alexa, dis à Shark de commencer le nettoyage. »
- « Alexa, dis à Shark d'arrêter mon robot. »
- « Alexa, dis à Shark d'envoyer mon robot à la station de recharge. »

### RÉGLAGE DE L'APPLICATION SHARK CLEAN™

**Téléchargez la plus récente version de l'application Shark Clean dans l'App Store ou le Google Play Store.** Suivez les instructions sur l'application pour connecter le robot.

**Afin d'assurer que l'application est jumelé avec le robot :**

- Confirmez que votre routeur Wi-Fi et/ou votre réseau à domicile prend en charge un réseau 2,4 GHz.
- Confirmez le nom de votre réseau Wi-Fi.
- Confirmez le mot de passe de votre réseau Wi-Fi.

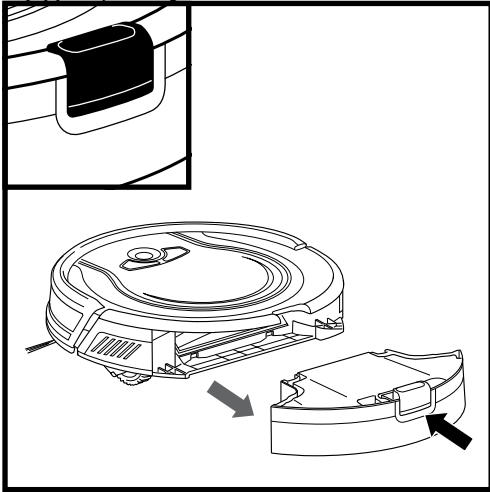
## ENTRETIEN



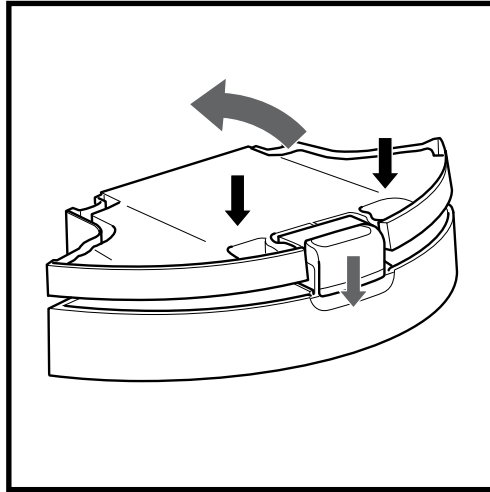
**ATTENTION :** Mettez l'appareil hors tension avant d'effectuer tout entretien.

### VIDANGE DU RÉCIPIENT À POUSSIÈRE DU ROBOT

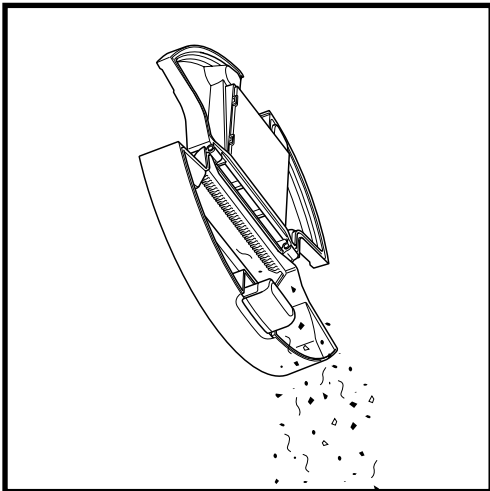
VIDEZ LE RÉCIPIENT À POUSSIÈRE APRÈS CHAQUE UTILISATION.



Appuyez sur le **bouton Release (dégager) du récipient à poussière** et faites glisser pour le retirer.



Pour ouvrir le récipient à poussière, appuyez et maintenez le bouton tout en soulevant le couvercle à l'aide des fentes pour les doigts.

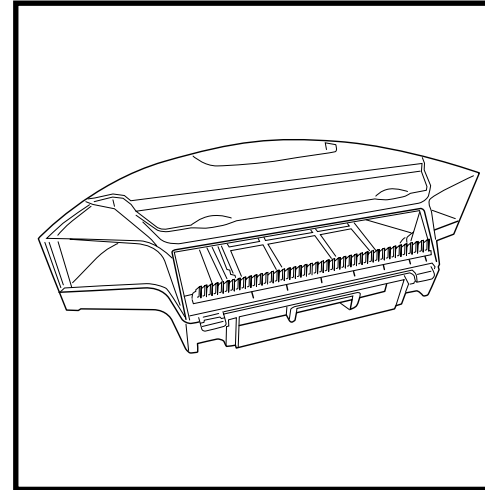


Jetez les débris et la poussière aux ordures.

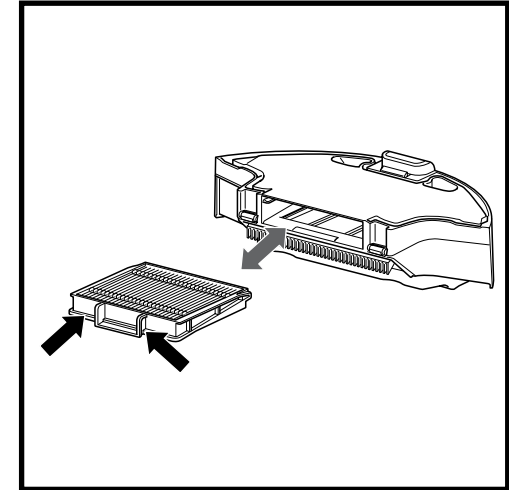
## ENTRETIEN

### NETTOYAGE DU FILTRE

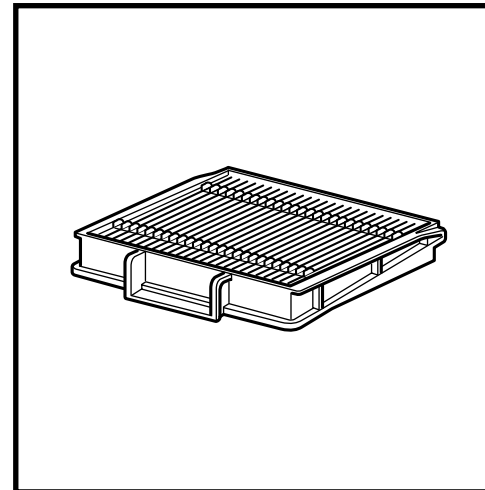
**NETTOYEZ LE FILTRE CHAQUE SEMAINE. REMPLACEZ LE FILTRE TOUS LES DEUX MOIS.** Pour les filtres de remplacement, consultez le site [sharkaccessories.com](http://sharkaccessories.com).



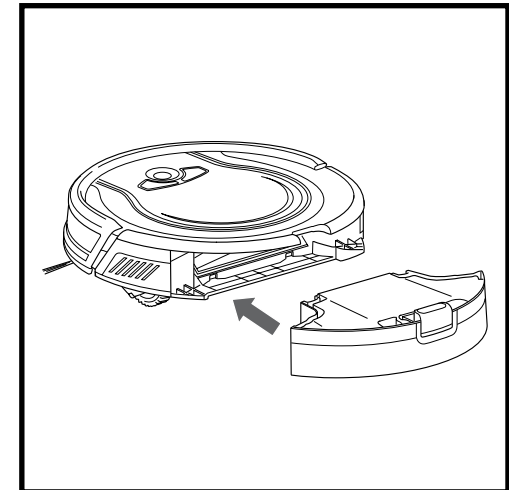
Retirez et videz le récipient à poussière. Retirez tous les poils, cheveux et débris coincés dans le **Peigne anti-enchevêtrement** situé à l'arrière du récipient à poussière.



Tirez sur la languette pour retirer le filtre du récipient à poussière.



Tapotez légèrement le filtre pour déloger la poussière et les débris.

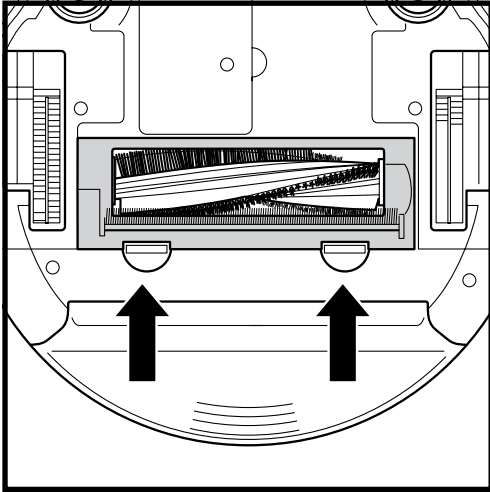


Réinsérez le filtre dans le récipient à poussière. Réinsérez le récipient à poussière dans le robot.

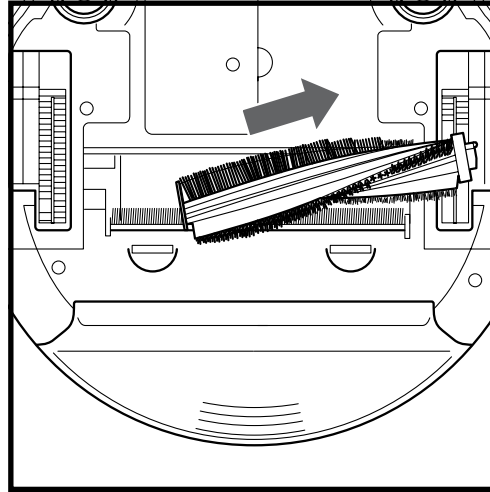
## ENTRETIEN

### NETTOYAGE DE LA BROSE ROTATIVE MULTISURFACE

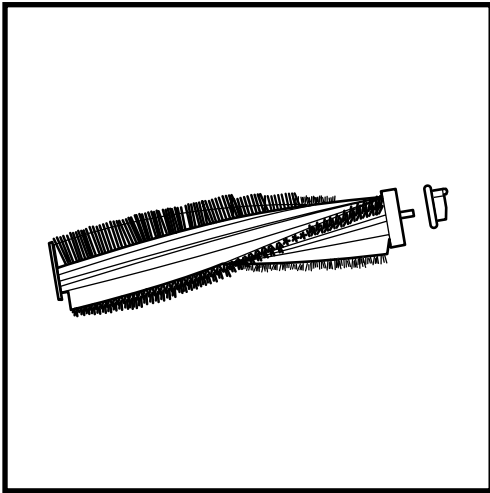
**IL FAUT PARFOIS ENTREtenir LA BROSE ROTATIVE. REMPLACEZ LA BROSE ROTATIVE TOUS LES 6 À 12 MOIS, OU LORSQU'ELLE EST VISIBLEMENT USÉE.** Pour les pièces de rechange, consultez le site [sharkaccessories.com](http://sharkaccessories.com).



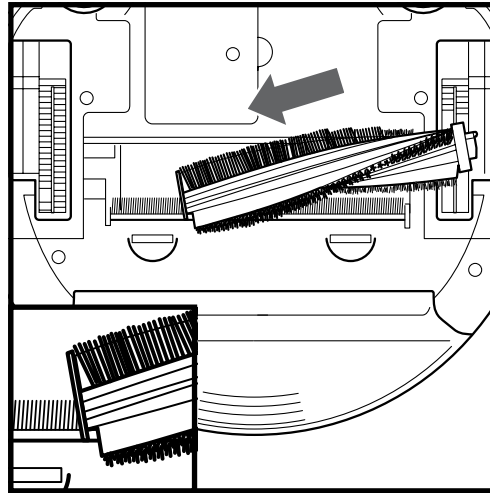
Poussez les languettes de la porte d'accès à la brosse rotative vers le haut, puis retirez la porte.



Soulevez la brosse rotative.



Retirez le couvercle bleu de l'extrémité de la brosse rotative. Faites attention de ne pas échapper le cylindre en métal qui se trouve à l'intérieur du couvercle. Nettoyez les poils et autres débris, puis remplacez le couvercle. Nettoyez la brosse rotative périodiquement et chaque fois que vous constatez une accumulation de cheveux ou de poils.



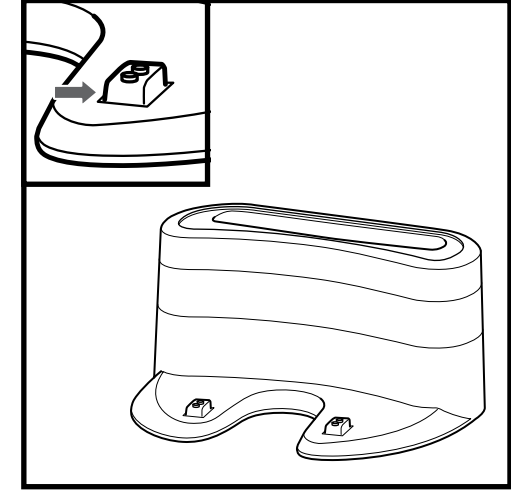
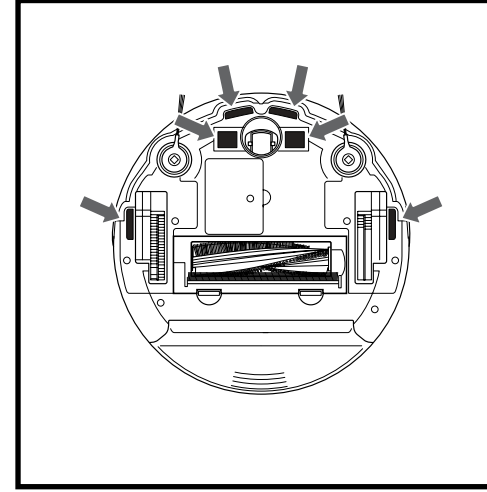
Réinstallez la brosse rotative en insérant la partie plate en premier. Fermez la porte d'accès à la brosse rotative et appuyez sur celle-ci jusqu'à ce qu'elle s'enclenche.

**REMARQUE :** Si le cylindre en métal tombe du couvercle de la brosse rotative, réinsérez-le dans le trou à l'intérieur du couvercle. Lors du découpage des débris, assurez-vous de ne pas couper la brosse rotative ou les autres parties du robot.

## ENTRETIEN

### NETTOYAGE DES CAPTEURS ET DES TAMPONS DE CHARGEMENT

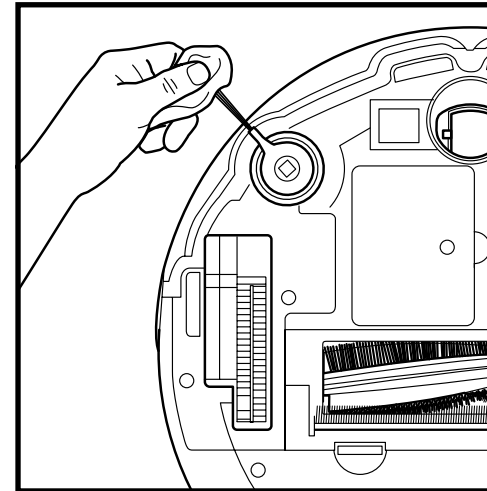
**NETTOYEZ LES CAPTEURS ET LES TAMPONS DE CHARGEMENT PÉRIODIQUEMENT AU BESOIN.** Avec un chiffon sec ou une brosse de nettoyage, essuyez doucement les capteurs et les tampons situés sur la partie inférieure du robot.



**IMPORTANT :** Le robot utilise des capteurs de chute pour éviter les escaliers et d'autres escarpements abrupts. Les capteurs fonctionnent moins efficacement lorsqu'ils sont sales. Pour de meilleurs résultats, nettoyez les capteurs régulièrement.

### NETTOYAGE DES BROSSES LATÉRALES

**NETTOYEZ LES BROSSES LATÉRALES AU BESOIN. VÉRIFIEZ CHAQUE SEMAINE. PROGRAMME DE REMPLACEMENT RECOMMANDÉ :** Remplacez-les lorsque leur usure devient apparente. Pour les pièces de rechange, consultez le site [sharkaccessories.com](http://sharkaccessories.com).



Déroulez soigneusement tout fil ou cheveu enroulé autour des brosses rotatives.

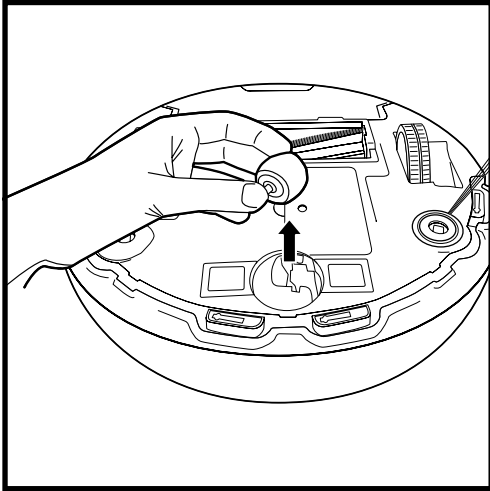
Essuyez délicatement les brosses avec un chiffon humide. Assurez-vous de laisser les filtres sécher complètement avant de les réinstaller.

**REMARQUE :** Retirez les brosses latérales courbées ou endommagées. Pour retirer la brosse, soulevez-la de son ancrage. Consultez **Installation des brosses latérales** pour les instructions sur la manière d'attacher et de détacher les brosses.

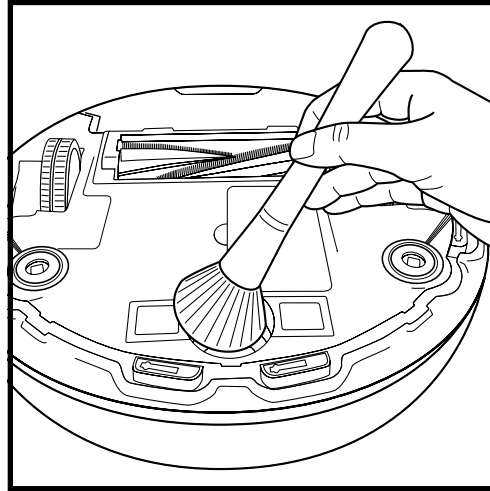
## ENTRETIEN

### NETTOYAGE DES ROULETTES

**RETIREZ ET NETTOYEZ LA ROULETTE AVANT CHAQUE SEMAINE. REMPLACEZ LA ROULETTE AVANT TOUS LES 12 MOIS.**  
Pour les pièces de rechange, consultez le site [sharkaccessories.com](http://sharkaccessories.com).

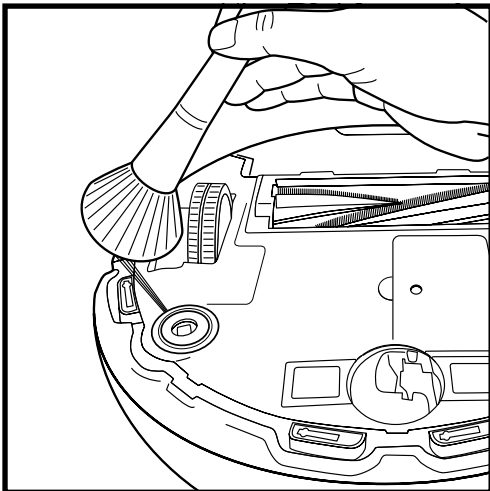


Retirez la **Roulette pivotante avant** de sa cavité et retirez toutes les accumulations de débris.



Nettoyez la cavité, avant de réinsérer la roulette.

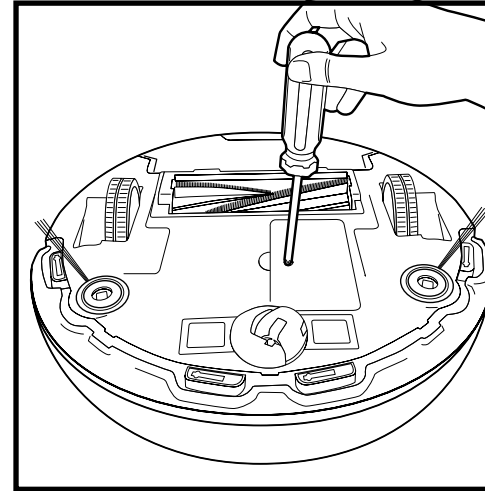
**REMARQUE :** Il se peut que vous deviez soulever l'appareil pour être en mesure d'enlever la roulette.



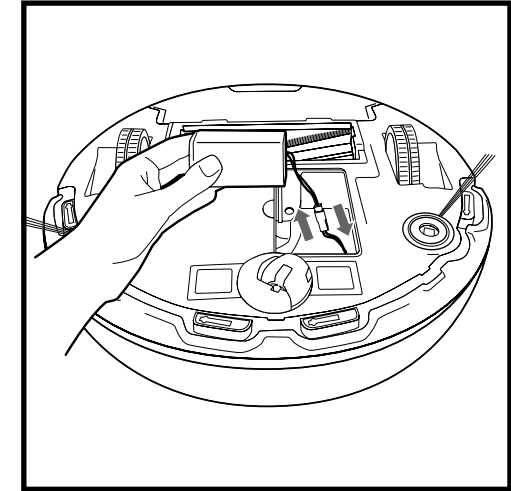
Nettoyez périodiquement les roues motrices et son boîtier. Pour nettoyer, tournez chaque roue motrice pendant l'époussetage.

## ENTRETIEN

### REPLACEMENT DE LA BATTERIE



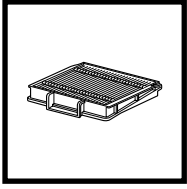
Pour retirer la batterie, retournez l'appareil et dévissez le couvercle de la batterie à l'aide d'un tournevis cruciforme (Phillips).



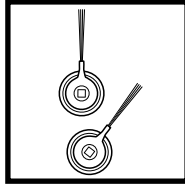
Retirez l'ancienne batterie de son connecteur, puis installez la nouvelle batterie. Remettez le couvercle de la batterie et vissez-le en place. Voir **Retrait et mise au rebut de la batterie** au dos du réceptacle.

## ENTRETIEN

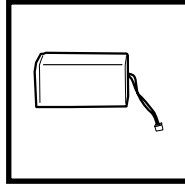
### PIÈCES DE RECHANGE



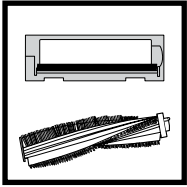
**Filtre**  
1172FK870



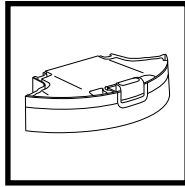
**Brosses latérales**  
1171FK870



**Batterie**  
RVBAT850



**Trousse de brosse rotative multisurface**  
3793NL870CN



**Réceptacle à poussière du robot**  
1178FTR700

**REMARQUE :** Pour commander des pièces de rechange ou des filtres, visitez le [sharkaccessories.com](http://sharkaccessories.com).

## ENTRETIEN

### DÉPANNAGE

Si des voyants d'erreur s'allument ou clignotent sur votre Shark Ion Robot™, consultez le tableau de codes d'erreur ci-dessous :

CODE D'ERREUR	SOLUTION
<b>TOUS LES VOYANTS DEL</b> sont éteints.	Le robot est en mode veille, l'interrupteur d'alimentation est en position OFF (arrêt) (O) ou il n'y a plus de charge restante. Mettez l'interrupteur d'alimentation à la position ON (marche) (I). Appuyez sur n'importe quel bouton pour s'assurer que le robot n'est pas en mode veille. Si tous les voyants indicateurs sont éteints, il n'y a pas de charge. Placez le robot sur la station de recharge, en laissant un espace d'un demi-pouce entre l'avant du robot et la face de la station. Lorsque le robot est placé correctement et commence à se charger, il émettra une alerte sonore et les voyants indicateur de recharge clignoteront.
<b>LES VOYANTS CLEAN (nettoyer) (ROUGE) ET !</b> clignotent en même temps.	Panne du moteur d'aspiration. Retirez ce qui obstrue la paroi et nettoyez les filtres. Retirez le récipient à poussière et assurez-vous que rien ne bloque l'aspiration.
<b>LE VOYANT CLEAN (nettoyer)</b> clignote en rouge	Le robot pourrait être coincé dans un obstacle. Soulevez le robot et déposez-le sur une surface plane.
<b>LE VOYANT MAX (maximum)</b> clignote	Le robot pourrait être coincé dans un obstacle. Soulevez le robot et déposez-le sur une surface plane. Le parechoc avant pourrait être coincé. Vérifiez le parechoc.
<b>LA STATION</b> clignote	Les capteurs BotBoundary® de votre robot signalent une erreur. Veuillez communiquer avec le service à la clientèle au 1 800 228-5531.
<b>LES VOYANTS CLEAN (nettoyer) (ROUGE) ET DOCK (STATION DE RECHARGE)</b> clignotent en même temps	Les capteurs de chute signalent une erreur. Essuyez les capteurs de chute avec un chiffon propre. Le robot ne peut pas démarrer en raison d'une erreur. Mettez l'interrupteur d'alimentation au côté du robot en position OFF (arrêt), attendez cinq secondes, puis remettez l'interrupteur en position ON (marche). Assurez-vous que votre robot est sur une surface plane sans obstruction.
<b>LES VOYANTS CLEAN (nettoyer) (ROUGE) ET MAX (maximum)</b> clignotent en même temps	Le récipient à poussière a été retiré et doit être réinséré.
<b>LES VOYANTS MAX (maximum) ET !</b> clignotent en même temps	Une brosse latérale est coincée. Retirez les débris des brosses latérales.
<b>LES VOYANTS CLEAN (nettoyer) (ROUGE), MAX (maximum) ET !</b> clignotent en même temps	Une roue motrice est bloquée. Retirez les débris coincés dans la roue.
<b>LES VOYANTS DOCK (STATION DE RECHARGE), MAX (maximum) ET !</b> clignotent en même temps	Obstruction dans la brosse rotative. Retirez ce qui est coincé.
<b>LES VOYANTS DOCK (STATION DE RECHARGE) ET !</b> clignotent en même temps	Assurez-vous que vous utilisez la station de recharge incluse avec votre robot.
<b>LES VOYANTS CLEAN (nettoyer) (BLEU), MAX (maximum) ET !</b> clignotent en même temps	Le robot est bloqué dans un endroit restreint ou sur un obstacle. Quelque chose est coincé dans le parechoc avant du robot. Nettoyez toute obstruction ou tout débris du parechoc. Poussez soigneusement le parechoc vers le haut et vers le bas, et vers l'avant et vers l'arrière, afin de s'assurer qu'il se déplace sans problème.
<b>LES VOYANTS CLEAN (nettoyer), DOCK (STATION DE RECHARGE), MAX (maximum) ET !</b> clignotent en même temps	Les roulettes du robot pourraient être bloquées, ou quelque chose est coincé. Examinez les roulettes pour vérifier s'il y a des obstructions et enlevez tout objet qui pourrait y être pris ou coincé. Appuyez sur les roulettes, puis laissez-les se mettre en place. Tournez les roulettes vers l'avant et vers l'arrière.
<b>LES VOYANTS CLEAN (nettoyer), DOCK (STATION DE RECHARGE) ET MAX (maximum)</b> clignotent en même temps	Le robot est en mode <b>Find My Robot</b> (trouver mon robot). Vous pouvez désactiver ce mode dans l'application.

Si vous rencontrez toute autre difficulté, veuillez contacter notre service à la clientèle au 1 800 228-5531.



**IMPORTANT : VEUILLEZ LIRE ATTENTIVEMENT LES CONDITIONS DE CE CONTRAT DE LICENCE AVANT DE CONTINUER L'INSTALLATION DE CE PROGRAMME OU L'UTILISATION DE CE PRODUIT :** Le contrat de licence d'utilisateur final (« CLUF ») de SharkNinja Operating LLC (« SharkNinja ») est un accord juridique entre vous (une entité morale ou une personne physique) et SharkNinja pour les logiciels de SharkNinja, y compris ceux que vous avez installés sur vos produits SharkNinja ou ceux qui sont déjà installés sur votre appareil, incluant tout le micrologiciel (ci-après dénommés les « APPLIS SN »). En installant, en copiant, en cochant une case, en cliquant sur un bouton confirmant votre accord à ces conditions, ou en continuant à utiliser les APPLIS SN, vous acceptez d'être lié par les conditions de ce CLUF. Ce contrat de licence représente l'intégralité de l'accord concernant les APPLIS SN entre vous et SharkNinja, et il remplace toute proposition, représentation ou entente antérieure entre les parties. Si vous n'acceptez pas les conditions de ce CLUF, n'installez pas les APPLIS SN, ne les utilisez pas et n'utilisez pas ce produit.

Les APPLIS SN sont protégées par les lois sur le droit d'auteur et les traités internationaux relatifs au droit d'auteur, ainsi que par d'autres lois et traités concernant la propriété intellectuelle.

**1. OCTROI DE LICENCE. Les APPLIS SN font l'objet de la licence suivante :**

1.1 Installation et utilisation. SharkNinja vous accorde le droit de télécharger, d'installer et d'utiliser les APPLIS SN sur la plate-forme indiquée pour laquelle les APPLIS SN ont été conçues et concernant les produits SharkNinja pour le fonctionnement desquels les APPLIS SN ont été créées (« dispositifs SN »).

1.2 Copies de sauvegarde. Vous pouvez également faire une copie des APPLIS SN que vous avez téléchargées et installées aux fins de sauvegarde et d'archivage.

**2. DESCRIPTION DES AUTRES DROITS ET LIMITATIONS.**

2.1 Conservation des avis de droit d'auteur. Vous ne devez pas supprimer ni modifier les avis de droit d'auteur sur toute copie des APPLIS SN.

2.2 Distribution. Il vous est interdit de distribuer des copies des APPLIS SN à des tiers.

2.3 Prohibition de désossage, de décompilation et de démontage. Il vous est interdit de faire le désossage, la décompilation ou le démontage des APPLIS SN, sauf et uniquement dans la mesure où cette activité est expressément autorisée par la loi applicable, en dépit de cette limitation.

2.4 Location. Il vous est interdit de louer ou de prêter les APPLIS SN sans l'autorisation écrite de SharkNinja.

2.5 LOGICIEL À REVENTE INTERDITE. Les applications portant la marque comme « revente interdite » ou « RI » ne peuvent être revendues, cédées ou utilisées à des fins autres que la démonstration, le test ou l'évaluation.

2.6 Services d'assistance. SharkNinja peut vous fournir des services d'assistance liés aux APPLIS SN (« services d'assistance »). Tout code de logiciel supplémentaire qui vous est fourni dans le cadre des services d'assistance fait partie intégrante des APPLIS SN et est assujéti aux conditions de ce CLUF.

2.7 Conformité aux lois applicables. Vous devez respecter toutes les lois applicables concernant l'utilisation des APPLIS SN.

**3. MISES À JOUR.** SharkNinja peut vous fournir des mises à niveau ou des mises à jour des APPLIS SN. Ce CLUF régira toutes les mises à niveau fournies par SharkNinja qui remplacent ou complètent les APPLIS SN, à moins que ladite mise à niveau soit accompagnée d'un CLUF distinct, auquel cas les conditions de ce dernier prévaudront. Si vous décidez de ne pas télécharger et de ne pas utiliser toute mise à niveau ou mise à jour fournie par SharkNinja, vous comprenez que vous pourriez exposer les APPLIS SN au risque de sérieuses menaces contre la sécurité ou rendre les APPLIS SN inutilisables ou instables.

**4. DONNÉES ET CONFIDENTIALITÉ.** SharkNinja s'engage à assurer le respect de votre vie privée en se conformant à des normes élevées d'équité et d'intégrité. Nous nous engageons à informer nos clients de la façon dont nous utilisons les informations que nous recueillons auprès de vous par l'entremise de l'utilisation de chacun de nos sites Web ou APPLIS SN sécurisés. Nos pratiques de respect de la vie privée sont décrites dans la politique de confidentialité de SharkNinja, ainsi que dans des avis séparés lorsqu'une application, un produit ou un service est acheté ou téléchargé. En utilisant les APPLIS SN ou en nous fournissant vos renseignements personnels, vous acceptez et consentez aux pratiques et aux conditions décrites dans la politique de confidentialité de SharkNinja. En tout temps, vos renseignements sont traités conformément à la politique de confidentialité de SharkNinja, qui est intégrée par référence dans ce CLUF et qui peut être consultée à l'URL suivante : <http://www.sharkninja.com/privacypolicy>.

**5. BIBLIOTHÈQUES D'APPLICATION ET LOGICIEL INTÉGRÉ PROVENANT DE TIERS.**

5.1 Vous reconnaissez qu'Ayla Networks, Inc. (« Ayla ») a fourni certaines bibliothèques d'applications intégrées dans les APPLIS SN (« bibliothèques d'applications Ayla ») et permet aux dispositifs SN de se connecter au service nuagique d'Ayla (« logiciel intégré d'Ayla »).

5.2 Vous n'utiliserez pas les bibliothèques d'applications Ayla sauf en tant que partie intégrée des APPLIS SN, sans modification à la forme qui vous a été fournie.

5.3 Vous n'utiliserez pas le logiciel intégré d'Ayla sauf en tant que partie intégrale des dispositifs SN, sans modification à la forme qui vous a été fournie.

5.4 Vous ne devez pas modifier, adapter, traduire, décompiler, désassembler, désosser, tenter de dériver ou créer des travaux dérivés basés sur le code source ou les algorithmes sous-jacents des bibliothèques d'applications Ayla ou du logiciel intégré d'Ayla.

5.5 SharkNinja conserve la pleine propriété des APPLIS SN (et des bibliothèques d'applications Ayla qu'elles contiennent) et de tout logiciel installé sur les dispositifs SN (y compris le logiciel intégré d'Ayla) et la seule licence qui vous soit accordée concerne l'utilisation des APPLIS SN et des dispositifs SN.

5.6 Vous ne devez pas utiliser les bibliothèques d'applications Ayla ni le logiciel intégré d'Ayla pour tenter d'accéder ou d'utiliser de manière non autorisée les systèmes et les services des autres concédants de licence de SharkNinja; vous ne devez pas non plus transmettre des virus, des vers, des chevaux de Troie, des bombes à retardement, des logiciels espions, des logiciels malveillants, des robots d'annulation, des mécanismes de collecte passive, des robots, des logiciels d'exploration de données ou tout autre code ou programme malveillant ou invasif dans les systèmes et les services des autres concédants de licence de SharkNinja.

5.7 Vous ne devez pas utiliser les bibliothèques d'applications Ayla ni le logiciel intégré d'Ayla pour interférer, briser ou contourner toute fonctionnalité de sécurité, d'authentification ou autre qui restreint ou impose des limitations sur l'utilisation ou l'accès aux systèmes et aux services des autres concédants de licence de SharkNinja.

5.8 Vous ne devez pas sonder, attaquer, scanner, ni vérifier la vulnérabilité des systèmes et des services des autres concédants de licence de SharkNinja.

5.9 Les autres concédants de licence des APPLIS SN de SharkNinja, des bibliothèques d'applications Ayla et du logiciel intégré d'Ayla sont les bénéficiaires express du présent CLUF, et les dispositions de la présente section dudit CLUF sont expressément destinées au bénéfice desdits concédants et sont exécutoires par ces derniers.

**6. RÉSILIATION.** Sans porter atteinte à tout autre droit, SharkNinja peut résilier ce CLUF si vous ne respectez pas les conditions de ce dernier. Dans un tel cas, vous devez détruire toutes les copies des APPLIS SN en votre possession.

**7. DROITS D'AUTEUR.** Tous les droits, incluant, entre autres, les droits d'auteur, concernant les APPLIS SN et leurs copies sont la propriété de SharkNinja ou de ses fournisseurs. Tout titre et droit de propriété intellectuelle concernant le contenu auquel on peut accéder par l'entremise de l'utilisation des APPLIS SN appartient au propriétaire du contenu respectif et peut être protégé par des droits d'auteur ou d'autres lois et traités applicables en matière de propriété intellectuelle. Ce CLUF ne vous accorde aucun droit d'utiliser ledit contenu. Tous les droits qui ne sont pas expressément accordés sont réservés par SharkNinja.

**8. LOGICIEL LIBRE.** Vous reconnaissez par la présente que les APPLIS SN peuvent contenir un logiciel soumis à des licences de logiciel libre (« logiciel libre »). La licence accordée par le présent CLUF ne s'applique pas au logiciel libre contenu dans les APPLIS SN. Les conditions de la licence du logiciel libre applicable s'appliquent plutôt au logiciel libre. Rien dans ce CLUF ne limite vos droits ou ne vous accorde des droits qui remplacent toute licence de logiciel libre. Vous reconnaissez que le contrat de licence du logiciel libre est uniquement entre vous et le concédant de licence applicable dudit logiciel libre. Dans la mesure où les conditions des licences applicables au logiciel libre exigent que SharkNinja fasse une offre pour fournir le logiciel libre, cette offre est donc faite par la présente, et vous pouvez l'exercer en contactant SharkNinja à l'adresse ci-dessous.

**9. AUCUNE GARANTIE.** SharkNinja n'accorde expressément aucune garantie quant aux APPLIS SN, aux bibliothèques d'applications Ayla et au logiciel intégré d'Ayla. Les APPLIS SN, les bibliothèques d'applications Ayla et le logiciel intégré d'Ayla sont fournis « en l'état » sans garantie expresse ni implicite de quelque nature que ce soit, incluant, entre autres, les garanties de qualité marchande, d'absence de contrefaçon, d'adaptation à un usage particulier ou de titre. SharkNinja ne garantit ni n'assume aucune responsabilité quant à l'exhaustivité ou l'exhaustivité de toute information, texte, graphique, lien ou autre élément contenu dans les APPLIS SN. SharkNinja n'accorde aucune garantie contre tout préjudice pouvant être causé par la transmission d'un virus informatique, d'un ver, d'une bombe logique ou de tout autre programme informatique. En outre, SharkNinja ne fait expressément aucune garantie ni représentation envers tout tiers.

**10. LIMITATION DE RESPONSABILITÉ.** En aucun cas, SharkNinja ni ses fournisseurs ne sont tenus responsables de tout dommage particulier, accessoire, punitif, direct, indirect ou consécutif (incluant entre autres, les dommages-intérêts pour perte de profits ou divulgation d'informations confidentielles ou autres, pour interruption d'activité, pour préjudice personnel, pour la perte de la vie privée, pour le non-respect d'un devoir même après avoir agi de bonne foi ou avoir pris des soins raisonnables, pour toute négligence et pour toute autre perte financière ou autre) résultant ou lié de manière quelconque à l'utilisation ou à l'impossibilité d'utiliser les dispositifs SN ou les APPLIS SN, à la fourniture ou l'omission de fournir de l'assistance ou d'autres services, des informations, des logiciels et du contenu connexe par l'entremise du produit ou découlant de l'utilisation des APPLIS SN, ou de toute autre façon, quant à toute disposition de ce CLUF, même en cas de faute, de responsabilité délictuelle (y compris la négligence), de responsabilité stricte, de rupture de contrat ou de manquement à la garantie de SharkNinja ou de tout fournisseur, et même si SharkNinja ou tout fournisseur a été informé de la possibilité desdits dommages. SharkNinja n'est nullement tenue responsable quant au contenu des APPLIS SN ou de toute partie de ces dernières, incluant, entre autres, tous les cas d'erreurs ou d'omissions qui y sont contenues, de diffamation, d'infractions aux droits de publicité, à la vie privée ou aux droits de marque de commerce, d'interruption d'activité, de préjudice personnel, de perte de vie privée, aux droits moraux ou de la divulgation de renseignements confidentiels.

**11. LOI APPLICABLE.** Les lois du Commonwealth du Massachusetts régiront ce CLUF et vous consentez par la présente à la compétence d'attribution et à la compétence territoriale exclusives des tribunaux fédéraux et étatiques siégeant dans le Commonwealth du Massachusetts.

**12. CESSION.** SharkNinja peut céder ce CLUF sans préavis au concédant.

**13. INTÉGRALITÉ DU CONTRAT.** Ce CLUF (incluant tout addenda ou modification à ce dernier qui est inclus avec les dispositifs SN) constitue l'intégralité de l'accord entre vous et SharkNinja concernant les APPLIS SN et remplace toutes les communications, propositions et représentations orales ou écrites antérieures ou contemporaines concernant les APPLIS SN ou tout autre sujet couvert par ledit CLUF. Dans la mesure où les conditions de toute politique ou de tout programme SharkNinja concernant les services d'assistance entrent en conflit avec les conditions de ce CLUF, les modalités de ce dernier sont exécutoires.

Si vous avez des questions concernant ce CLUF, veuillez contacter SharkNinja au 89 A Street, Suite 100, Needham, MA 02494.



### GARANTIE LIMITÉE D'UN (1) AN

La garantie limitée d'un (1) an s'applique aux achats effectués auprès de détaillants autorisés de **SharkNinja Operating LLC**. La garantie s'applique uniquement au premier propriétaire et au produit original et n'est pas transférable.

SharkNinja garantit ce produit contre toute défectuosité de matériau ou de main-d'œuvre pour une période d'un (1) an à compter de la date d'achat, dans le cadre d'un usage domestique normal et si le produit est entretenu conformément aux exigences décrites dans le guide de l'utilisateur, sujet aux conditions, aux exclusions et aux exceptions ci-dessous.

#### Qu'est-ce qui est couvert par cette garantie?

1. L'appareil d'origine et/ou les composants inusables considérés comme défectueux, à la seule discrétion de SharkNinja, seront réparés ou remplacés jusqu'à un (1) an à compter de la date d'achat initiale.
2. Dans le cas d'un remplacement de l'appareil, la garantie prendra fin six (6) mois après la date de réception de l'appareil de remplacement ou pendant le reste de la période de garantie existante, selon la période la plus longue. SharkNinja se réserve le droit de le remplacer par un appareil de valeur égale ou supérieure.

#### Qu'est-ce qui n'est pas couvert par cette garantie?

1. L'usure normale des pièces (comme les filtres en mousse, les filtres HEPA, les tampons, etc.) qui nécessitent un entretien et/ou un remplacement réguliers afin d'assurer le bon fonctionnement de votre appareil n'est pas couverte par cette garantie. Vous pouvez faire l'achat de pièces de rechange par l'entremise du site [sharkaccessories.com](http://sharkaccessories.com).
2. La garantie ne s'applique pas aux appareils utilisés de façon abusive ou à des fins commerciales.
3. Les dommages causés par une mauvaise utilisation (comme aspirer de l'eau ou d'autres liquides), un abus, une négligence lors de la manipulation, un manquement à la l'entretien nécessaire (comme ne pas nettoyer les filtres), ou un dommage dû à une mauvaise manipulation pendant le transport.
4. Les dommages indirects et accessoires.
5. Les défectuosités causées par des réparateurs non autorisés par SharkNinja. Ces défectuosités incluent les dommages causés lors du processus d'expédition, de modification ou de réparation du produit SharkNinja (ou de l'une de ses pièces) lorsque la réparation est effectuée par un réparateur non autorisé par SharkNinja.
6. Les produits achetés, utilisés ou mis en fonction à l'extérieur de l'Amérique du Nord.

#### Comment obtenir du service

Si votre appareil ne fonctionne pas correctement lorsque vous l'utilisez normalement à domicile durant la période de garantie, visitez le [sharkclean.com/support](http://sharkclean.com/support) pour obtenir de l'information sur les soins et entretien du produit que vous pouvez effectuer vous-même. Nos spécialistes du service à la clientèle sont aussi disponibles au **1 800 228-5531** pour de l'assistance sur les produits et les options de garantie de service offertes, y compris la possibilité de passer à nos options de garantie de service VIP pour certaines catégories de produits.

SharkNinja assumera les frais de retour de l'appareil à nos sites par le consommateur en vue de la réparation ou du remplacement de l'appareil. Un montant de 24,95 \$ (sujet à changement) sera facturé lorsque SharkNinja expédiera l'appareil réparé ou remplacé.

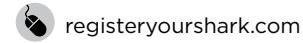
#### Comment présenter une demande de service sous garantie

Veuillez noter que vous devez téléphoner au **1 800 228-5531** pour soumettre une réclamation au titre de la garantie. Vous aurez besoin du reçu comme preuve d'achat. Un spécialiste du service à la clientèle vous fournira les directives d'emballage et de retour.

#### De quelle manière les lois d'État s'appliquent-elles?

Cette garantie vous accorde des droits spécifiques légaux et vous pouvez aussi bénéficier d'autres droits qui varient d'une province ou d'un État à l'autre. Certains États américains ou certaines provinces canadiennes n'acceptent pas l'exclusion ou la limitation de dommages accessoires ou indirects, ce qui fait que cette disposition peut ne pas s'appliquer à votre cas.

## ENREGISTREZ VOTRE ACHAT

**CONSIGNEZ LES RENSEIGNEMENTS  
CI-DESSOUS.**

Numéro du modèle : \_\_\_\_\_

Code de date : \_\_\_\_\_

Date d'achat : \_\_\_\_\_  
(conservez la facture)

Magasin où l'appareil a été acheté : \_\_\_\_\_

**CONSEIL :** Le numéro de modèle et le numéro de série sont indiqués sur l'étiquette de code QR, située au bas de la partie arrière du robot et de la batterie.

**RENDEMENT PRÉVU**

Délai de fonctionnement prévu : 60 minutes

Délai de chargement prévu : 3 heures

**RETRAIT ET MISE AU REBUT DES BATTERIES**

Ce produit utilise une batterie. Lorsque la charge maximale de la batterie devient insuffisante, il faut retirer la batterie de l'aspirateur et la recycler. **N'INCINÉREZ PAS** la batterie et **NE LA METTEZ PAS** au compost.

Lorsque la batterie au lithium-ion doit être remplacée, jetez-la ou recyclez-la conformément aux ordonnances ou aux règlements locaux. Dans certaines régions, il est illégal de déposer des batteries au lithium-ion usées au rebut ou dans un flux de déchets solides municipaux. Envoyez les batteries usées à un centre de recyclage autorisé ou retournez-les au détaillant aux fins de recyclage. Communiquez avec votre centre de recyclage local pour savoir où déposer la batterie usée.

**Pour plus d'information sur le retrait des piles aux fins d'élimination, consultez: [sharkclean.com/batterysupport](http://sharkclean.com/batterysupport).**

Le sceau de la RBRC™ (Rechargeable Battery Recycling Corporation [Société de recyclage des piles et des batteries rechargeables]) sur la batterie au lithium-ion indique que SharkNinja a déjà payé les coûts de recyclage de la batterie à la fin de sa durée de vie. Dans certaines régions, il est illégal de déposer des batteries au lithium-ion usées au rebut ou dans un flux de déchets solides municipaux; le programme de la RBRC offre une solution de rechange respectueuse de l'environnement.

La RBRC, en collaboration avec SharkNinja et d'autres grands utilisateurs de batteries, a créé aux États-Unis et au Canada des programmes visant à faciliter la collecte de batteries au lithium-ion usées. Aidez à protéger l'environnement et à conserver les ressources naturelles en retournant la batterie au lithium-ion usée à un centre d'entretien SharkNinja autorisé ou à votre détaillant local à des fins de recyclage. Vous pouvez également composer le 1 800 228-5531 ou communiquer avec votre centre de recyclage local pour savoir où déposer la batterie usée.



**PLEASE READ CAREFULLY AND KEEP FOR FUTURE REFERENCE.**

This Owner's Guide is designed to help you keep your Shark Ion Robot™ running at peak performance.

SharkNinja Operating LLC  
US: Needham, MA 02494  
CAN: Ville St-Laurent, QC H4S 1A7  
1-888-228-5531  
sharkclean.com

Illustrations may differ from actual product. We are constantly striving to improve our products; therefore the specifications contained herein are subject to change without notice.

For SharkNinja U.S. Patent information, visit [sharkninja.com/uspatents](http://sharkninja.com/uspatents)

**VEUILLEZ LIRE ATTENTIVEMENT LE PRÉSENT MODE D'EMPLOI ET LE CONSERVER À TITRE INFORMATIF.**

Ce guide de l'utilisateur a été conçu afin que vous puissiez faire fonctionner votre Shark Ion Robot™ au maximum de ses performances.

SharkNinja Operating LLC  
États-Unis : Needham, MA 02494  
Canada : Saint-Laurent (QC) H4S 1A7  
1 800 228-5531  
sharkclean.com

Les illustrations peuvent différer du produit réel. Nous tentons constamment d'améliorer nos produits; par conséquent, les caractéristiques indiquées dans le présent guide peuvent être modifiées sans préavis.

Pour obtenir de l'information au sujet des brevets de SharkNinja aux États-Unis, consultez le site suivant : [www.sharkninja.com/USPatents](http://www.sharkninja.com/USPatents)

---

© 2020 SharkNinja Operating LLC. SHARK is a registered trademark of SharkNinja Operating LLC. AUTO-SENSE, BOTBOUNDARY, SHARKCLEAN and SHARK ION ROBOT are trademarks of SharkNinja Operating LLC. RBRC is a trademark of Rechargeable Battery Recycling Corporation. AMAZON, ALEXA, and all related logos are trademarks of Amazon.com, Inc. or its affiliates. APPLE, the Apple logo and iPhone are trademarks of Apple Inc., registered in the U.S. and other countries. APP STORE is a service mark of Apple Inc., registered in the U.S. and other countries. GOOGLE, GOOGLE ASSISTANT, GOOGLE PLAY, the Google Play logo, and ANDROID are trademarks of GOOGLE LLC.

© SharkNinja Operating LLC, 2020. SHARK est une marque déposée de SharkNinja Operating LLC. AUTO-SENSE, BOTBOUNDARY, SHARKCLEAN et SHARK ION ROBOT sont des marques de commerce de SharkNinja Operating LLC. RBRC est une marque de commerce de la Société de recyclage des piles et des batteries rechargeables. AMAZON, ALEXA et tous les logos s'y rapportant sont des marques de commerce d'Amazon.com Inc. ou de ses affiliés. APPLE, le logo Apple et iPhone sont des marques de commerce d'Apple Inc., enregistrées aux États-Unis et dans d'autres pays. APP STORE est une marque de service d'Apple Inc., enregistrée aux États-Unis et dans d'autres pays. GOOGLE, GOOGLE ASSISTANT, GOOGLE PLAY, le logo Google Play et ANDROID sont des marques de commerce de GOOGLE LLC.

RV750-760CA\_Series\_IB\_E\_F\_Mv10\_200709  
PRINTED IN CHINA / IMPRIMÉ EN CHINE



@sharkcleaning