

Shark®

Lift-Away Speed™

NV770

Series

INSTRUCTIONS



sharkclean.com

THANK YOU
for purchasing the Shark® Lift-Away Speed™



TIP: You can find the model and serial numbers on the QR code label which is located on the back of your unit behind the dust cup.

TIP: You can find the model number on the rating label located on the back of your unit.

TIP: You can locate the date code on one of the prongs of the power cord plug.

REGISTER YOUR PURCHASE

- registryourshark.com
- Scan QR code using mobile device

RECORD THIS INFORMATION

Model Number: _____
Date Code: _____
Date of Purchase (Keep receipt): _____
Store of Purchase: _____

TECHNICAL SPECIFICATIONS

Voltage: 120V., 60Hz
Watts: 900W
Amps: 7.5 A

PLEASE READ CAREFULLY AND KEEP FOR FUTURE REFERENCE.

If you have any questions, please visit sharkclean.com.

CONTENTS

Important Safety Instructions3

Getting to Know Your Shark® Lift-Away Speed™.....5

Assembling Your Vacuum.....7

Using Your Vacuum in Upright Mode9
What Does the Brushroll Indicator Light Mean?9

Using Your Vacuum in Above-Floor Mode.....11
The Benefits of Suction Control.....11

Using Your Vacuum in Lift-Away® Mode.....13
Lift-Away Cleaning.....13

Compatible Accessories.....15

Maintenance.....17
Emptying the Dust Cup.....17
Cleaning the Filters.....18
Maintaining the Brushroll.....19
Maintaining the Soft Roller.....20
Checking the Nozzle for Blockages.....20

Troubleshooting Guide.....21

Warranty.....22

IMPORTANT SAFETY INSTRUCTIONS

PLEASE READ CAREFULLY BEFORE USE • FOR HOUSEHOLD USE ONLY

⚠ WARNING

To reduce the risk of injury, fire, electric shock, and property damage resulting from improper use of the appliance, carefully observe the following instructions. This unit contains electrical connections and moving parts that potentially present risk to the user.

THE MOTORIZED FLOOR NOZZLE, WAND, AND HANDLE CONTAIN ELECTRICAL CONNECTIONS:

- These are **NOT** serviceable parts.
- **DO NOT** use to vacuum any liquids.
- **DO NOT** immerse in water.
- **DO NOT** use if handle/wand/hose is damaged, cut, or punctured.

When using an electrical appliance, basic precautions should always be followed, including the following:

- 1 Inspect power cord and plug for any damage before use. **DO NOT** use vacuum cleaner with a damaged cord or plug. Turn off all controls before plugging in or unplugging the vacuum cleaner. Store your vacuum cleaner with the power cord secured around the two cord hooks.
- 2 **DO NOT** use outdoors or on wet surfaces. Use only on dry surfaces.
- 3 Unplug from electrical outlet when not in use and before servicing.
- 4 If vacuum cleaner is not working as it should, or has been dropped, damaged, left outdoors, or immersed in water, return it to SharkNinja Operating LLC for examination, repair, or adjustment.
- 5 The hose contains electrical wires. **DO NOT** use when damaged, cut, or punctured.
- 6 **DO NOT** pull or carry vacuum cleaner by the cord or use the cord as a handle.
- 7 **DO NOT** unplug by pulling on cord. Grasp the plug, not the cord.
- 8 **DO NOT** handle plug or vacuum cleaner with wet hands.

- 9 **DO NOT** run the vacuum cleaner over the power cord, close a door on the cord, or pull the cord around sharp corners.
- 10 The use of an extension cord is **NOT** recommended.
- 11 **DO NOT** leave vacuum cleaner unattended when plugged in.
- 12 Keep cord away from heated surfaces.
- 13 Always turn off the vacuum cleaner before connecting or disconnecting either the hose or the motorized nozzle.

GENERAL USE

- 14 Use only as described in this manual.
- 15 Keep the vacuum cleaner moving over the carpet surface at all times to avoid damaging the carpet fibers.
- 16 **DO NOT** place vacuum cleaner on unstable surfaces such as chairs or tables. Lift-Away® mode requires stable footing to avoid risk of injury.
- 17 **DO NOT** put any objects into openings. **DO NOT** use with any opening blocked; keep free of dust, lint, hair, and anything that may reduce airflow.
- 18 **DO NOT** allow young children to operate the appliance or use as a toy. Close supervision is necessary when any appliance is used near children.
- 19 **DO NOT** use without Soft Roller, dust cup, and all filters in place.

DUST CUP/FILTERS/ACCESSORIES

Before turning on the vacuum:

- 20 Make sure that all filters and Soft Roller are thoroughly dry after routine cleaning.

- 21 Make sure that dust cup and all filters are in place after routine maintenance.
- 22 Make sure accessories are free of blockages.
- 23 Only use Shark®-brand filters and accessories (failure to do so will void the warranty).

HOSE ATTACHMENTS

- 24 **DO NOT** use if airflow is restricted. If the air paths or the motorized floor nozzle become blocked, turn the vacuum cleaner off and unplug from electrical outlet. Remove all obstructions before you turn on the unit again.
- 25 Keep cleaning tools and hose suction openings away from hair, face, fingers, uncovered feet, or loose clothing.

GENERAL CLEANING

- 26 **DO NOT** vacuum up large objects.
- 27 **DO NOT** vacuum up hard or sharp objects such as glass, nails, screws, or coins that could damage the vacuum cleaner.
- 28 **DO NOT** vacuum up drywall dust, fireplace ash, or embers. **DO NOT** use as an attachment to power tools for dust collection.
- 29 **DO NOT** vacuum up smoking or burning objects such as hot coals, cigarette butts, or matches.
- 30 **DO NOT** vacuum up flammable or combustible materials (e.g., lighter fluid, gasoline, or kerosene) or use vacuum in areas where they may be present.
- 31 **DO NOT** vacuum up toxic solutions (e.g., chlorine bleach, ammonia, or drain cleaner).
- 32 **DO NOT** use in an enclosed space where vapors are present from paint, paint thinner, moth-proofing substances, flammable dust, or other explosive or toxic materials.

- 33 **DO NOT** vacuum up any liquids.

- 34 **DO NOT** immerse vacuum cleaner in water or other liquids.

- 35 Use extra care when cleaning on stairs.

POLARIZED PLUG

To reduce the risk of electric shock, this vacuum cleaner has a polarized plug (one blade is wider than the other). As a safety feature, this plug will fit into a polarized outlet only one way. If the plug does not fit fully into the outlet, reverse the plug. If it still does not fit, contact a qualified electrician. **DO NOT** force into outlet or try to modify to fit.

SAVE THESE INSTRUCTIONS

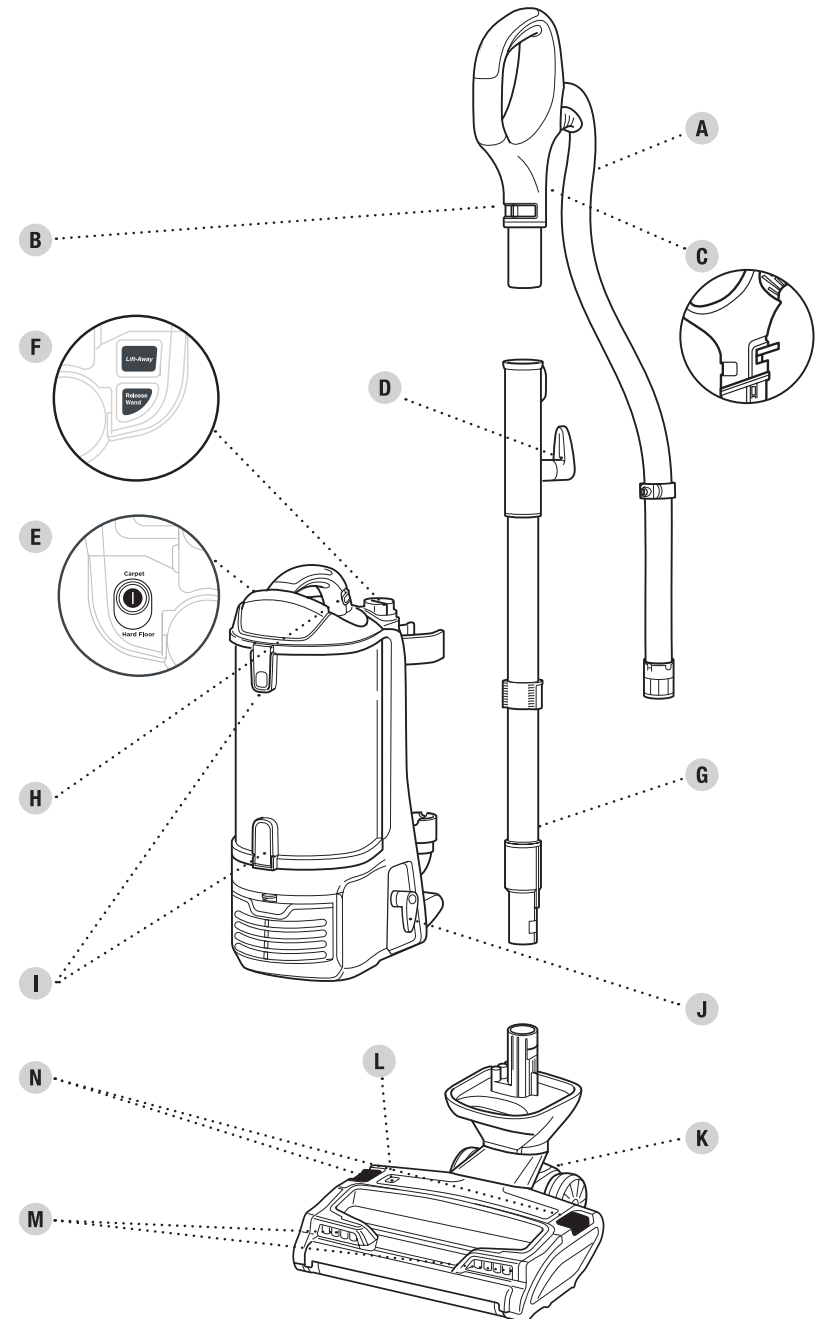
GETTING TO KNOW YOUR SHARK® LIFT-AWAY SPEED™

WELCOME!

Congratulations on your purchase. Use this Owner's Guide to learn about your new vacuum's great features.

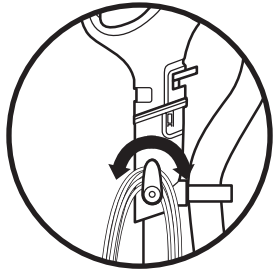
PARTS

- A** Hose
- B** Suction Control
- C** Handle Release Latch
- D** Upper Cord Hook
- E** Power/Surface Selector
- F** Lift-Away® Button/Release Wand Button
- G** Wand
- H** Dust Cup Release Latch
- I** Dust Cup Emptying Buttons
- J** Lower Cord Hook
- K** Motorized Floor Nozzle
- L** Brushroll Indicator Light
- M** Headlights
- N** Brushroll Garage Access Buttons

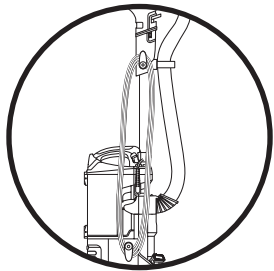


ASSEMBLING YOUR VACUUM

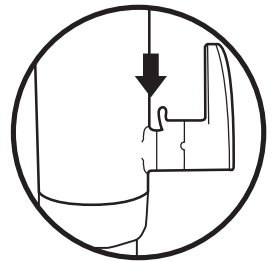
Cord Care: Rotate hook down to unwind cord.



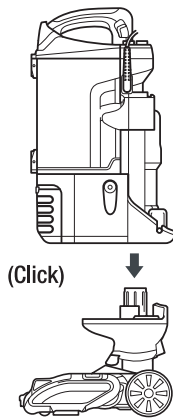
To store, wrap cord around hooks.



Use cord clip located on the side of wand to hold cord in place while vacuuming.

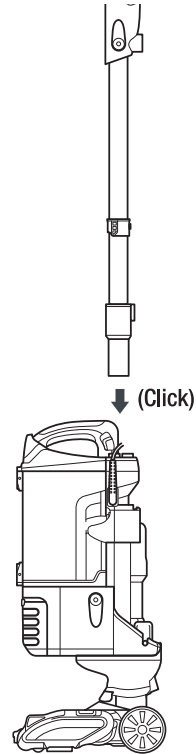


STEP 1



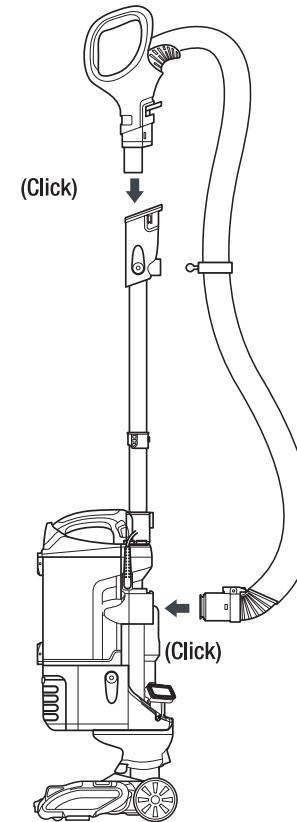
1 Place pod on nozzle.

STEP 2



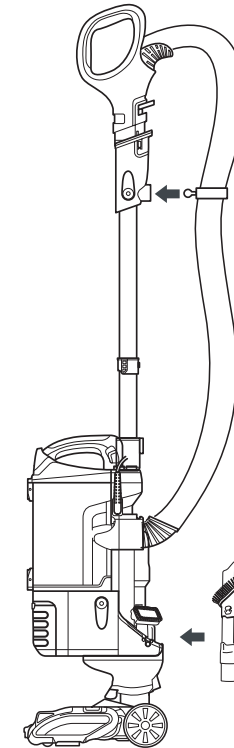
2 Wand clicks into pod.

STEP 3



3 Handle clicks into top of wand, and hose connects to pod with a click.

STEP 4



4 Tools sit on holders. Clip hose to wand.

USING YOUR VACUUM IN UPRIGHT MODE

BRUSHROLL INDICATOR LIGHT

GREEN

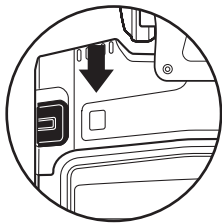
Brushrolls spinning.

RED

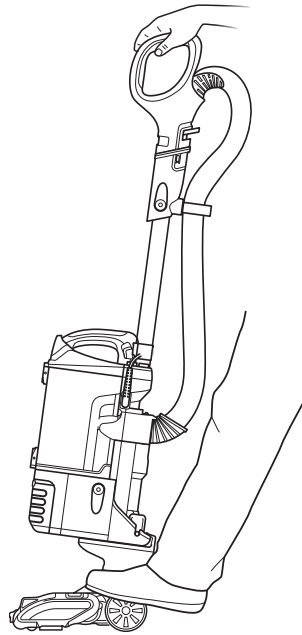
Brushroll jam.

NO LIGHT

Vacuum is off.

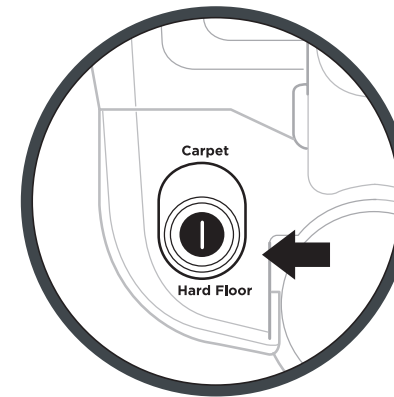


STEP 1



- 1 Plug in cord, tilt handle back.

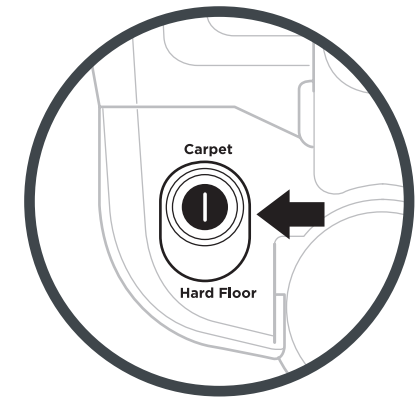
STEP 2



HARD FLOOR SETTING

- 2 Slide selector to Hard Floor, press button for power. Brushrolls will spin slowly.

STEP 3



CARPET SETTING

- 3 Slide selector to Carpet, press button for power. Brushrolls will spin faster.

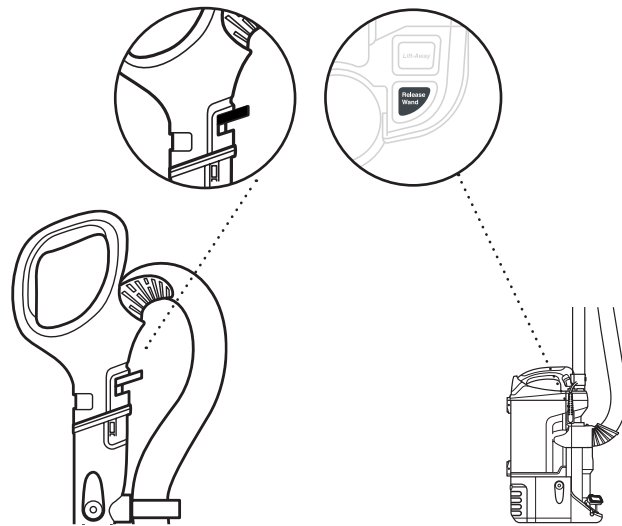
NOTE: For deep cleaning per ASTM F 608 (embedded dirt in carpets) please ensure Power/Surface Selector is set to Carpet setting, with the suction control closed.

USING YOUR VACUUM IN ABOVE-FLOOR MODE

THE BENEFITS OF SUCTION CONTROL

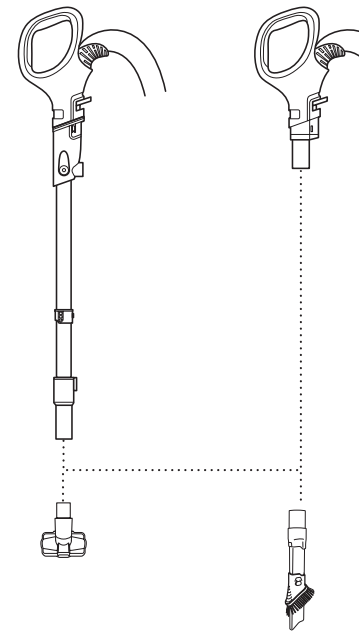
Suction Control is a way for you to adjust suction power when you are using different tools or vacuuming different surfaces. For example, if you are feeling resistance while vacuuming thick carpet or upholstery, sliding the Suction Control to MIN will help reduce your push/pull effort.

STEP 1



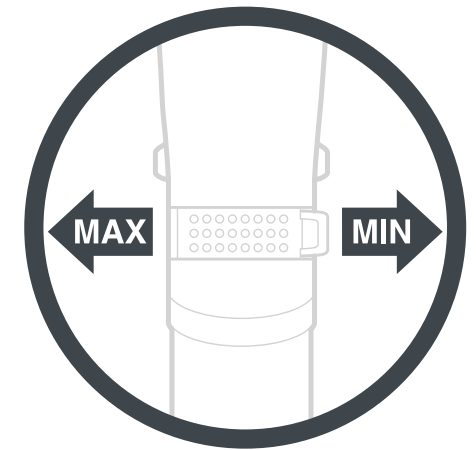
- 1** To clean with handle only, press latch to remove. **OR** To clean with more reach, press button on pod to release wand.

STEP 2



- 2** Attach desired accessories to the wand or handle.

STEP 3

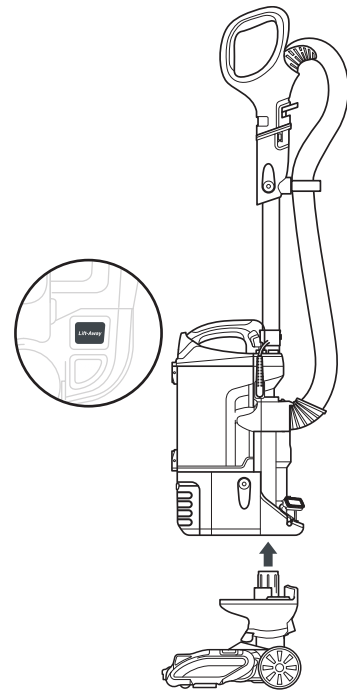


- 3** Suction Control is located on handle. To decrease suction and reduce resistance, slide toward MIN. Slide toward MAX to increase.

USING YOUR VACUUM IN LIFT-AWAY® MODE

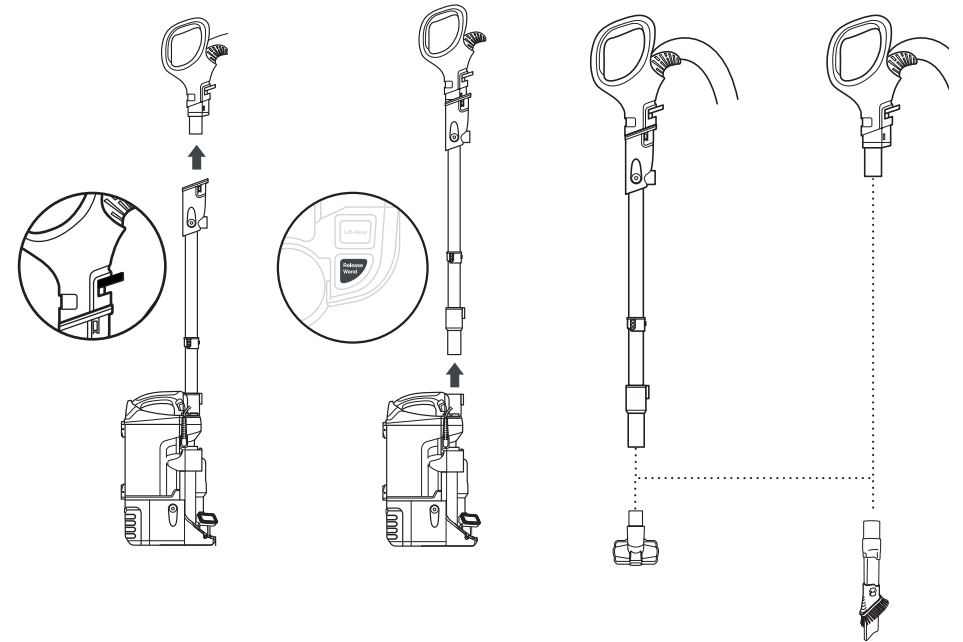
WHAT IS LIFT-AWAY?

Our Lift-Away feature allows you to remove the pod from the floor nozzle to easily clean stairs and above-floor areas with accessories.



LIFT-AWAY CLEANING

1 Press Lift-Away button to release pod.



2 Press latch to remove handle, or press button to release wand.

3 Attach accessory to handle or wand.

COMPATIBLE ACCESSORIES

There are a variety of accessories that are compatible with this vacuum series.

Your Quick Start Guide shows the select accessories included with your vacuum. To purchase additional accessories, go to sharkaccessories.com

A Pet Multi-Tool

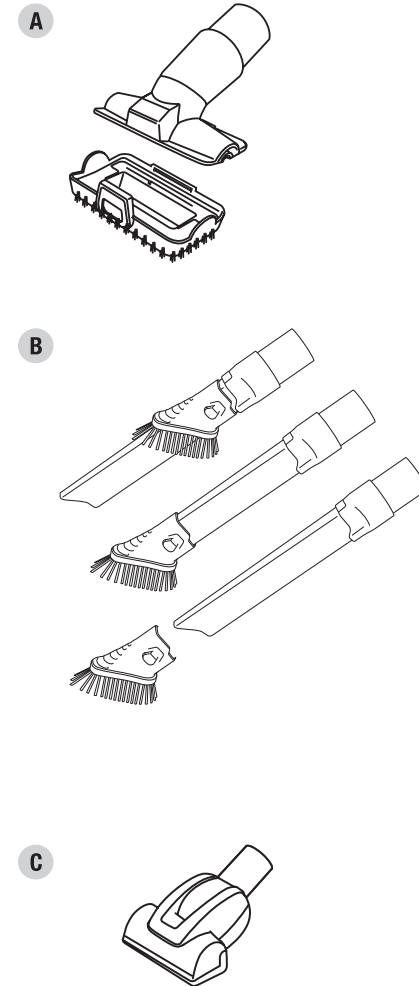
A single tool that offers two ways to battle tough pet messes: first, a stiff bristle brush removes stuck-on debris. Then take off the bristles to reveal an upholstery tool for cleaning stubborn pet hair.

B Duster Crevice Tool

Two cleaning tools in one. The crevice tool provides extended reach into small spaces, while the dusting brush cleans a multitude of surfaces.

C Pet Power Brush

Designed to remove pet hair and ground-in dirt from carpeted stairs and upholstery.



MAINTENANCE

RECOMMENDED FILTER CLEANING SCHEDULE:

Pre-Motor Filter Kit

(Foam & Felt)
XFF600
Clean every 3 months.

Post-Motor Filter

(HEPA)
XHF600
Clean once a year.

To keep your vacuum's suction power optimal, follow these instructions. Make sure unit is off and cord is unplugged.

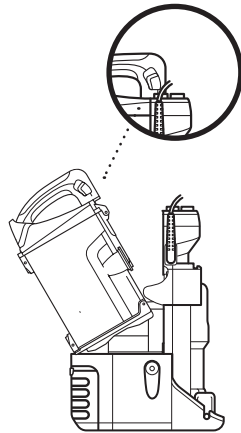
EMPTYING THE DUST CUP

Hand wash filters only with water to prevent damage from cleaning chemicals. Allow ALL filters to air-dry completely before replacing them in the vacuum to prevent liquid from being drawn into electric parts.

★ **IMPORTANT: DO NOT** use soap when cleaning the filters. **DO NOT** scrub HEPA filter material.

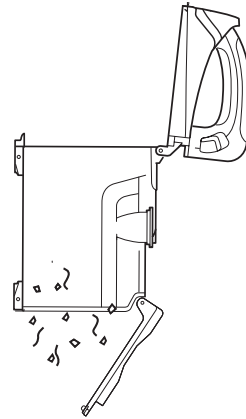
★ **NOTE:** Clean the dust screen inside the dust cup as required.

STEP 1



- 1 Empty dust cup when debris reaches MAX fill line. Remove by pulling up on latches on dust cup handle.

STEP 2

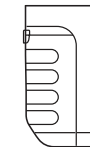


- 2 Hold dust cup over trash and press bottom release latch. Turn dust cup over and press top release latch to empty.

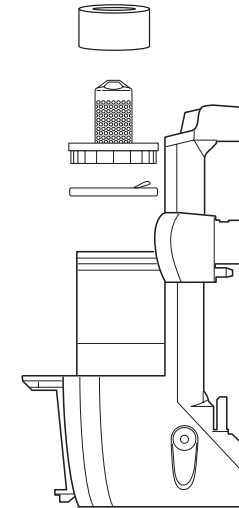
FOAM FILTER

FILTER FRAME

FELT FILTER



HEPA



CLEANING THE FILTERS

1 Pre-Motor (foam and felt):

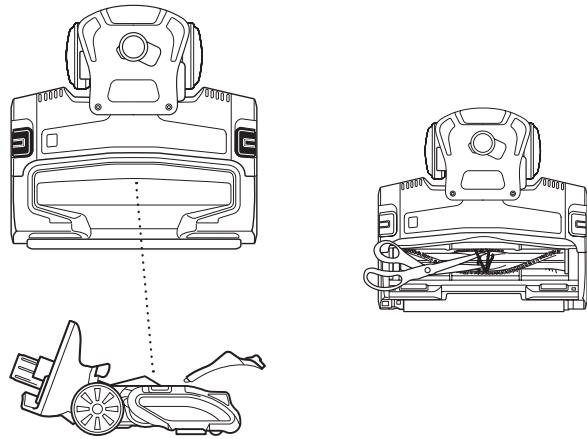
With the dust cup removed, take out the foam and felt filters and rinse with water. Let filters air-dry completely before reinstalling. Tap loose dirt off filters between washes as needed.

2 Post-Motor (HEPA):

To access the HEPA filter, reach under the grill, pull the latch forward, and pull the grill away from the vacuum. Remove and rinse the HEPA filter. Let filter air-dry completely before reinstalling.

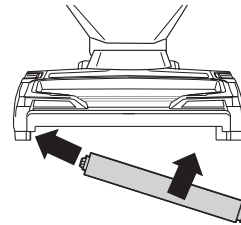
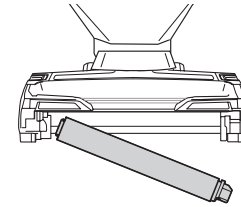
MAINTENANCE

⚠ WARNING: To reduce the risk of shock and unintended operation, turn power off and unplug unit before servicing.



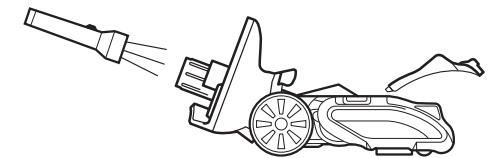
MAINTAINING THE BRUSHROLL

- 1 To open garage, slide back both access buttons, then lift off lid. Use scissors to remove debris from brushroll.
- 2 To reinstall lid, insert tabs into slots. Press down on both sides of lid until it clicks into place. If headlights flash, press down on both sides of lid until it is closed completely.



MAINTAINING THE SOFT ROLLER

- 1 To open garage, slide back both access buttons, then lift off lid. Lift out Soft Roller by the PULL tab. Clear debris from roller and roller housing.
- 2 Wash the Soft Roller as needed, using only water. Air-dry completely for at least 24 hours before reinstalling.
- 3 Reinstall lid. See Step 2 of "Maintaining the Brushroll."



CHECKING THE NOZZLE FOR BLOCKAGES

- 1 Tilt neck of motorized floor nozzle back to straighten the airway. Open the brushroll garage lid, and clear away any blockages.

TROUBLESHOOTING GUIDE

⚠ WARNING: To reduce the risk of shock and unintended operation, turn power off and unplug unit before servicing.

Vacuum is not picking up debris. No suction or light suction.

(Refer to Maintenance section for more information.)

- Check filters to see if they need cleaning. Follow instructions for rinsing and drying the filters before reinstalling in the vacuum.
- Dust cup may be full; empty dust cup.
- Check hose, hose connections, nozzle, and accessories for blockages; clear blockages if required.
- Remove any string, carpet fibers, or hair that may be wrapped around the brushroll.

Vacuum lifts area rugs.

- Turn off unit to disengage the brushroll.
- Suction is powerful. Take care when vacuuming area rugs or rugs with delicately sewn edges.
- To minimize suction, slide Suction Control toward MIN. See the Suction Control section for more information.

Brushroll and/or Soft Roller does not spin or the Brushroll Indicator Light turns red.

- If Brushroll Indicator Light on the floor nozzle turns red, the brushroll and/or Soft Roller have stopped spinning. Immediately turn off and unplug vacuum. Check hose, hose connections, nozzle, and accessories for blockages. Clear any blockages, then plug in vacuum and press Power/Surface Selector.
- If Brushroll Indicator Light on the floor nozzle is green, the blockage has been successfully cleared. If the light is still red, please contact Customer Service at 1-800-798-7398.
- If nozzle headlights are flashing, this means the brushroll garage is not completely closed. Turn off and unplug the vacuum. Ensure the brushroll garage is locked by inserting the tabs on the lid into the slots, then pressing down on both sides of the lid until it clicks into place.
- With the power on, recline the handle, which will automatically turn on the brushrolls.

Brushroll Garage will not close.

- Make sure the Soft Roller was reinserted correctly and press down firmly on both sides of the garage lid until it clicks into place.

Vacuum turns off on its own or Brushroll Indicator Light flashes red.

- This vacuum is equipped with a motor-protective thermostat. If your vacuum overheats, the thermostat will automatically turn the suction motor off. Perform the following steps to restart the thermostat:
 1. Turn vacuum off and unplug it.
 2. Empty dust cup and clean filters (see Maintenance section).
 3. Check for blockages in hose, accessories, and inlet openings.
 4. Allow unit to cool for a minimum of 45 minutes.
 5. Plug in vacuum and turn it on.
 6. Restart the unit in either the Hard Floor or Carpet setting.

Note: If vacuum still does not start, contact Customer Service at 1-800-798-7398.

Shark NINJA FIVE (5) YEAR LIMITED WARRANTY

The 5-Year Limited Warranty applies to purchases made from authorized retailers of **SharkNinja Operating LLC**. Warranty coverage applies to the original owner and to the original product only and is not transferable.

SharkNinja warrants that the unit shall be free from defects in material and workmanship for a period of 5 years from the date of purchase when it is used under normal household conditions and maintained according to the requirements outlined in this instruction manual, subject to the following conditions and exclusions.

What is covered in my warranty?

1. The original unit and/or non-wearable components deemed defective, in SharkNinja's sole discretion, will be repaired or replaced for up to 5 years from the original purchase date.
2. In the rare event that a replacement unit is issued, the warranty coverage ends six months following the receipt date of the replacement unit or the remainder of the existing warranty, whichever is greater. If the unit is replaced, SharkNinja reserves the right to replace the unit with one of equal or greater value.

What is not covered in my warranty?

Our Customer Service/Product Specialists are available to provide all the warranty service options available to you, including the possibility of upgrading to our VIP Warranty Service Options for select product categories.

1. Normal wear and tear of wearable parts such as foam filters, HEPA filters, pads etc., which require regular maintenance and/or replacement to ensure the proper functioning of your unit are not covered by this warranty.
2. Any unit that has been tampered with or used for commercial purposes.
3. SharkNinja will cover the cost for the customer to send in the unit to us for repair or replacement. A fee of \$19.95 for return shipping costs will be charged at the time of return shipment of the repaired or replacement unit.
4. Damage caused by misuse, abuse, or negligent handling, or damage due to mishandling in transit.
5. Consequential and incidental damages.
6. Defects caused by or resulting from damages from shipping or from repairs, service, or alteration to the product or any of its parts which have been performed by a repair person not authorized by SharkNinja.
7. Products purchased, used or operated outside of North America.

Problems with your unit/How to get service

If your appliance fails to operate properly while in use under normal household conditions within the warranty period, visit sharkclean.com for product care/maintenance self-help. Our Customer Service and product specialists are also available at 1-800-798-7398 to assist with product support and warranty service options.

How to initiate a warranty claim

You can call 1-800-798-7398 to have a Customer Service specialist assist you. Please note you must call 1-800-798-7398 to initiate a warranty claim. Return and Packing Instruction information will be provided at that time.

For Customer Service hours, visit sharkclean.com.

Replacement parts are available for purchase at sharkclean.com. For more information on which parts are classified as wearable and non-wearable, please visit sharkclean.com/warranty.

This warranty gives you specific legal rights, and you also may have other rights that vary from state to state.

Some states do not permit the exclusion or limitation of incidental or consequential damages, so the above may not apply to you.



SharkNinja Operating LLC
US: Needham, MA 02494
CAN: Ville St-Laurent, QC H4S 1A7
1-800-798-7398
sharkclean.com

Illustrations may differ from actual product. We are constantly striving to improve our products; therefore the specifications contained herein are subject to change without notice.

LIFT-AWAY and SHARK are registered trademarks of SharkNinja Operating LLC.

LIFT-AWAY SPEED is a trademark of SharkNinja Operating LLC.

For SharkNinja U.S. Patent information, visit sharkninja.com/USPatents.

© 2018 SharkNinja Operating LLC
NV770_Series_IB_MP_180115
PRINTED IN CHINA



@sharkcleaning