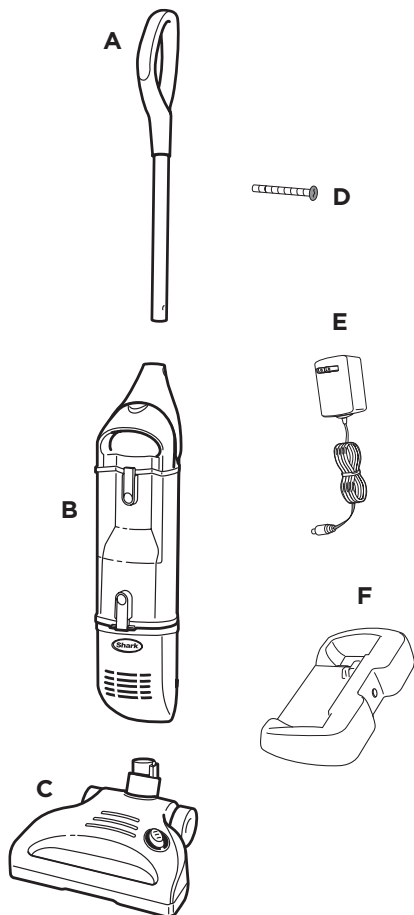


# Shark® FREESTYLE CORDLESS VACUUM

## QUICK START GUIDE

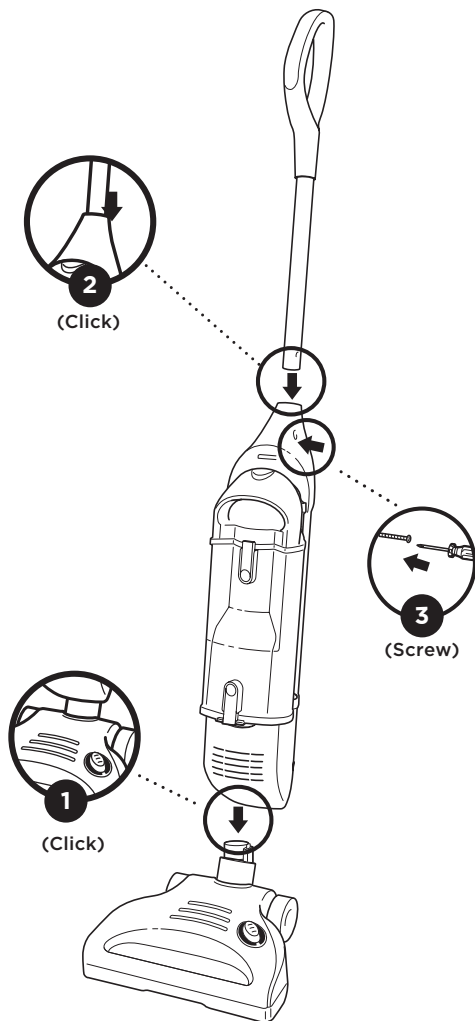
### WHAT'S INSIDE

- A** Handle
- B** Main Body
- C** Motorized Floor Nozzle
- D** Screw
- E** Charging Adapter
- F** Precision Charger Base



### ASSEMBLY

1. Insert vacuum body into floor nozzle.
2. Insert handle pole into main body.
3. Secure by screwing in bolt (taped to handle during shipping).

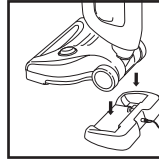


**IMPORTANT:** For proper operation, ensure all connections are securely clicked into place.

## HOW TO CHARGE

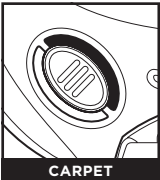
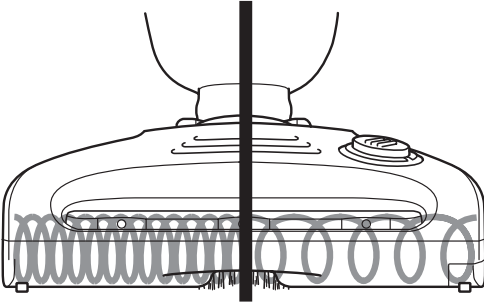


Align the arrow on the charging adapter plug with the arrow on the charger base, then insert the plug, pushing it in until it clicks into place.



Place vacuum on Precision Charger Base.

## CLEANING



CARPET

**Press the power button once to turn on the Carpet setting.** The brushroll will spin quickly in this mode for deep carpet cleaning.



BARE FLOOR

**Press the power button a second time to turn on the Bare Floor setting.** The brushroll will spin slowly in this setting to vacuum the surface litter on carpet and bare floors.

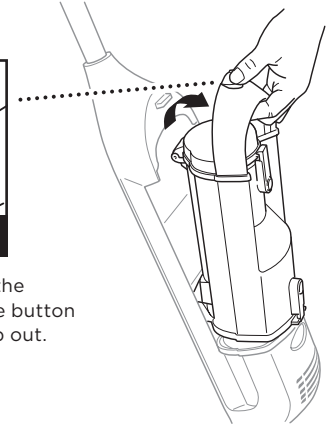
**Press the power button a third time to turn off the vacuum.**

## EMPTYING THE DUST CUP



DUST CUP  
RELEASE BUTTON

Press down on the dust cup release button and lift dust cup out.



DUST CUP  
EMPTY BUTTON

Hold dust cup over a trash bin and press the dust cup empty button.



For questions or to register your product, visit [sharkclean.com](http://sharkclean.com)



@sharkcleaning