

Shark VERTEX™

**UltraLight Corded Stick Vacuum
with DuoClean™ PowerFins™
and Self-Cleaning Brushroll**

**Aspirateur-balai ultra léger à fil
avec DuoClean™ PowerFins™
et brosse rotative autonettoyante**

HZ2000C Series • Série

**OWNER'S GUIDE
GUIDE DE L'UTILISATEUR**

duoclean™ **POWERFINS™**



IMPORTANT SAFETY INSTRUCTIONS

FOR HOUSEHOLD USE ONLY

⚠ WARNING

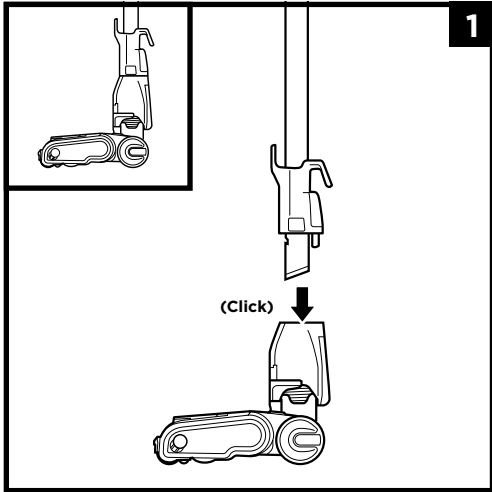
To reduce the risk of fire, electric shock, injury, or property damage, when using an electrical appliance, basic precautions should always be followed, including the following:

READ ALL INSTRUCTIONS BEFORE USING THIS VACUUM

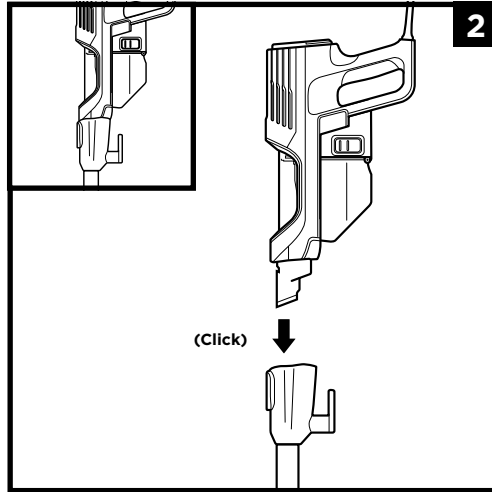
1. Inspect power cord and plug for any damage before use. **DO NOT** use vacuum cleaner with a damaged cord or plug. Turn off all controls before plugging in or unplugging the vacuum cleaner. Store your vacuum cleaner with the power cord secured around the two cord hooks. To minimize the risk of power cord damage, do not allow the motorized brush roll to ingest the cord. If this occurs, immediately shut off power to the vacuum and remove the cord.
 2. This appliance has a polarized plug, if the plug does not fit fully into the outlet, reverse the plug (one blade is wider than the other). If it still does not fit, contact a qualified electrician. **DO NOT** force into outlet or try to modify to fit.
 3. Your vacuum cleaner may consist of a motorized nozzle, wand, hose, and/or vacuum pod. This device contains electrical connections, electrical wiring, and moving parts that potentially present risk to the user.
 4. Use only identical replacement parts.
 5. Carefully observe and follow the instructions provided below to avoid improper use of the appliance. **DO NOT** use the vacuum for any purpose other than those described in this manual.
 6. Before use, carefully inspect all parts for any damage. **DO NOT** use if any parts are damaged.
 7. The use of an extension cord is **NOT** recommended.
 8. This vacuum cleaner contains no serviceable parts.
 9. This appliance can be used by persons with reduced physical, sensory or mental capabilities or lack of experience and knowledge if they have been given supervision or instruction concerning use of the appliance in a safe way and understand the hazards involved. Cleaning and user maintenance shall not be made by children. Keep the appliance and its cord out of reach of children. **DO NOT** allow the appliance to be used by children. **DO NOT** allow to be used as a toy. Close supervision is necessary when used near children.
 10. Always turn off the vacuum cleaner before connecting or disconnecting any motorized nozzles or other accessories.
 11. **DO NOT** handle plug or vacuum cleaner with wet hands.
 12. **DO NOT** use without filters in place.
 13. Only use Shark® branded filters and accessories.
 14. **DO NOT** damage the power cord:
 - a) **DO NOT** pull or carry vacuum cleaner by the cord or use the cord as a handle.
 - b) **DO NOT** unplug by pulling on cord. Grasp the plug, not the cord.
 - c) **DO NOT** run the vacuum cleaner over the power cord, close a door on the cord, pull the cord around sharp corners, or leave the cord near heated surfaces.
 15. **DO NOT** put any objects into nozzle or accessory openings. **DO NOT** use with any opening blocked; keep free of dust, lint, hair, and anything that may reduce airflow.
 16. **DO NOT** use if nozzle or accessory airflow is restricted. If the air paths or the motorized floor nozzle become blocked, turn the vacuum cleaner off and unplug from electrical outlet. Remove all obstructions before you plug in and turn on the unit again.
 17. Keep nozzle and all vacuum openings away from hair, face, fingers, uncovered feet, or loose clothing.
 18. **DO NOT** use if vacuum cleaner is not working as it should, or has been dropped, damaged, left outdoors, or dropped into water.
 19. Use extra care when cleaning on stairs.
 20. **DO NOT** leave the vacuum cleaner unattended while plugged in.
 21. When powered on, keep the vacuum cleaner moving over the carpet surface at all times to avoid damaging the carpet fibers.
 22. **DO NOT** place vacuum cleaner on unstable surfaces such as chairs or tables.
 23. Your Shark® vacuum may not be designed to stand up on its own. When taking a break from cleaning, you may need to lean it against furniture or a wall, or lay it flat on the floor. Using the vacuum for an application where the unit lacks stability may result in personal injury.
 24. **DO NOT** use to pick up:
 - a) Liquids
 - b) Large objects
 - c) Hard or sharp objects (glass, nails, screws, or coins)
 - d) Large quantities of dust (drywall dust, fireplace ash, or embers). **DO NOT** use as an attachment to power tools for dust collection.
 - e) Smoking or burning objects (hot coals, cigarette butts, or matches)
 - f) Flammable or combustible materials (lighter fluid, gasoline, or kerosene)
 - g) Toxic materials (chlorine bleach, ammonia, or drain cleaner)
- 25. DO NOT** use in the following areas:
- a) Poorly lit areas
 - b) Wet or damp surfaces
 - c) Outdoor areas
 - d) Spaces that are enclosed and may contain explosive or toxic fumes or vapors (lighter fluid, gasoline, kerosene, paint, paint thinners, mothproofing substances, or flammable dust)
26. Turn off all controls before plugging in or unplugging the vacuum.
 27. Unplug from electrical outlet when not in use and before any maintenance or cleaning.
 28. Hand wash with water only. Washing with cleaning chemicals could damage the unit.
 29. During cleaning or routine maintenance, **DO NOT** cut anything other than hair, fibers, or string wrapped around the brushroll.
 30. Allow all filters to air-dry completely before replacing in the vacuum to prevent liquid from being drawn into electric parts.
 31. Make sure the dust cup and all filters are in place after routine maintenance.
 32. If provided, secure the power cord around the two cord hooks during storage.

SAVE THESE INSTRUCTIONS

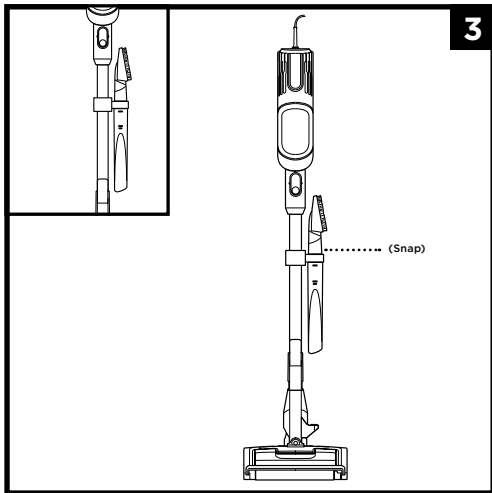
ASSEMBLY



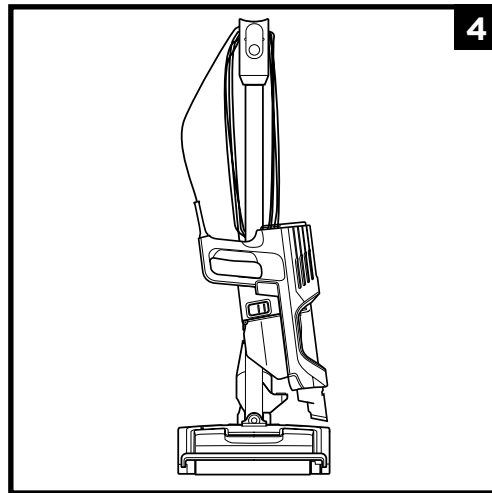
1. Insert **Wand** into **Floor Nozzle**.



2. Insert **Handheld Vacuum** into wand.

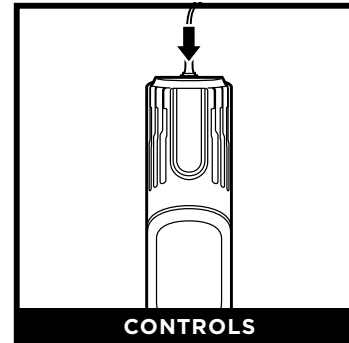


3. Snap the **Onboard Storage Clip** onto the wand, then place accessories in the holder. Ensure all connections click securely into place.

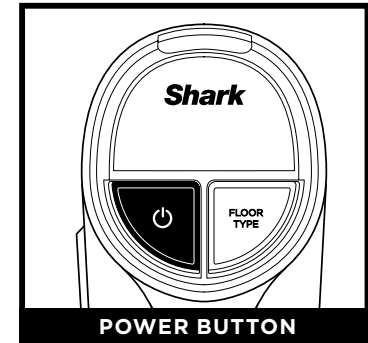


4. For compact storage, hang the handheld vacuum from the **Storage Hook** on the wand.

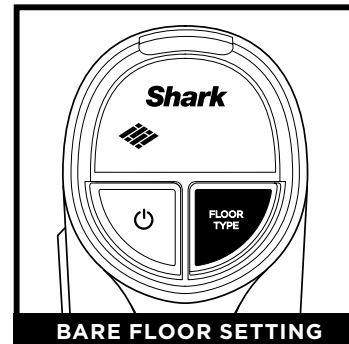
SETTINGS



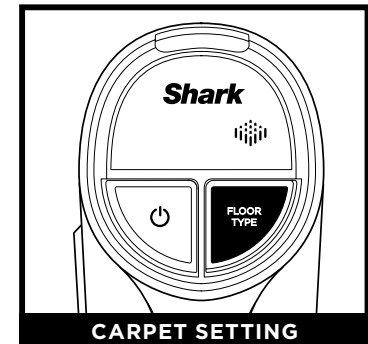
CONTROLS
The control panel is located on top of the handheld vacuum.



POWER BUTTON
Power Button
Press the Power button to begin vacuuming. Press again to turn off power. Press the FLOOR TYPE button to toggle between Bare Floor and Carpet settings.



BARE FLOOR SETTING
Bare Floor/Small Area Rugs
When powered on, the vacuum will be in Bare Floor setting. In this setting, the brushrolls spin slowly to clean bare floors and small area rugs.



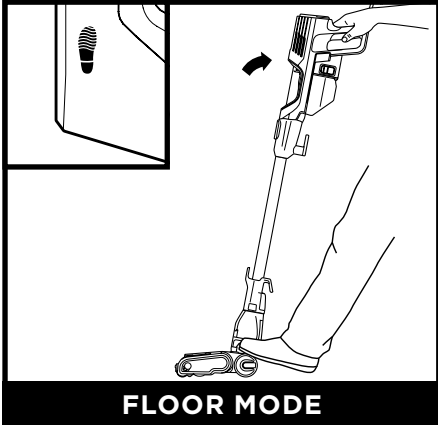
CARPET SETTING
Carpet
Press the FLOOR TYPE button to switch to Carpet setting. The brushrolls spin faster to pick up debris below the surface of your carpets.

NOTE: Press the FLOOR TYPE button to toggle between Bare Floor and Carpet settings.

NOTE: For deep cleaning per ASTM F 608 (embedded dirt in carpets) please use the Carpet setting.

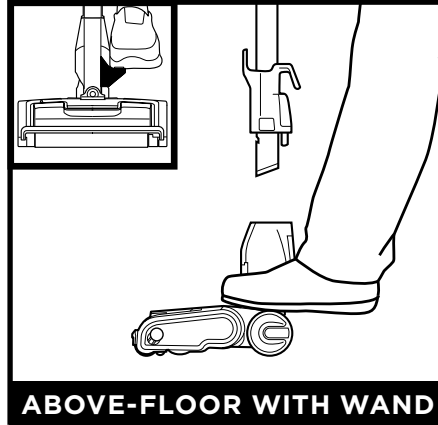
NOTE: Select Carpet for stuck-on dust and debris.

CLEANING MODES



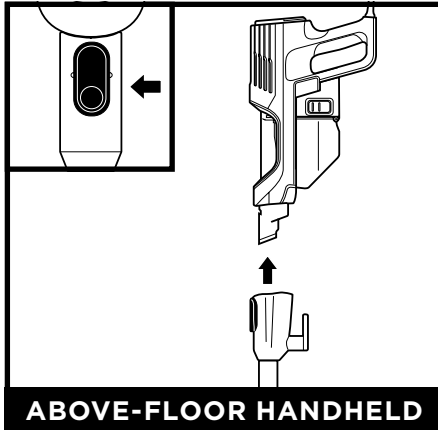
FLOOR MODE

To clean floors, step on floor nozzle and tilt handheld vacuum back.



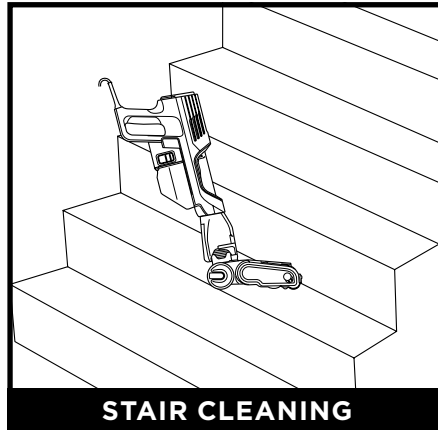
ABOVE-FLOOR WITH WAND

For more reach, detach the wand. Stand the vacuum upright, step on the **Foot Pedal** on the side of the nozzle, and pull up the wand to detach.



ABOVE-FLOOR HANDHELD

To detach the handheld vacuum, press the **Wand Release** button and lift the handheld vacuum off the wand. Great for cleaning stairs, furniture, and countertops.

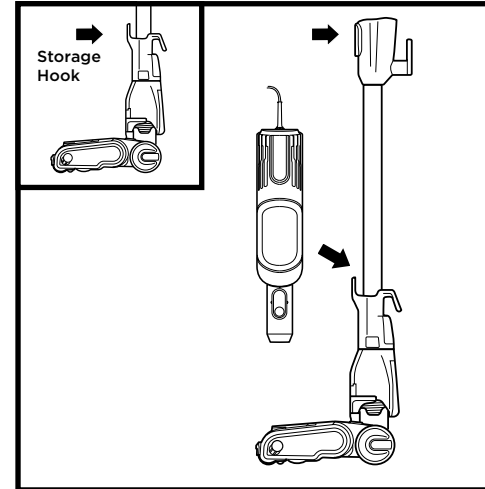


STAIR CLEANING

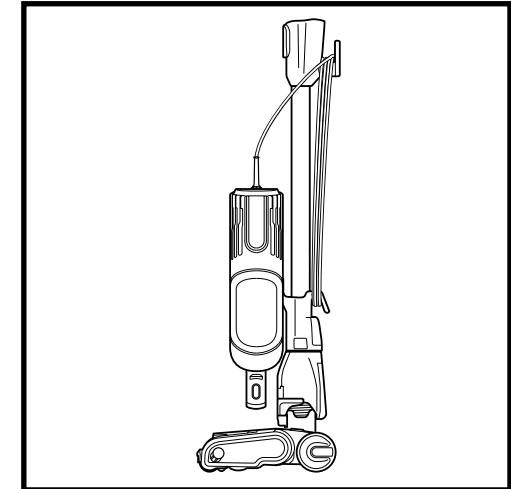
To clean stairs or other narrow spaces, attach the handheld vacuum to the floor nozzle.

STORAGE MODE

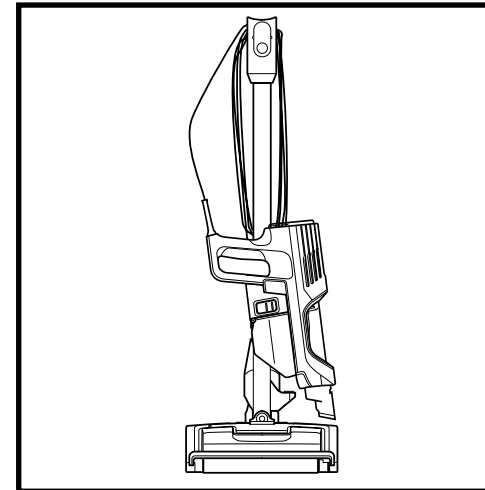
HANDHELD STORAGE HOOK



Press the **Wand Release** button near the top of the wand to detach the handheld vacuum. Align the **Catch** on the side of the handheld vacuum with the **Storage Hook** on the wand, then hang the handheld vacuum from the hook.



Wrap the cord around the two cord hooks. Start with the top hook, and leave a little slack in the cord.



NOTE: All accessories are compatible with both the wand and the handheld vacuum.

AVAILABLE ACCESSORIES

NOTE: Not all accessories come with all units. For a list of the accessories included with this model, see the top inside flap of the box. To order additional accessories, visit sharkaccessories.com.

A Crevice Tool

This slim tool is great for cleaning in tight spaces, between couch cushions, and in hard-to-reach areas. A longer crevice tool is available at sharkaccessories.com.

B Pet Crevice Tool

This versatile, slender 8" tool removes pet hair from hard-to-reach spaces like corners, stairs, and between couch cushions.

C Upholstery Tool

Picks up pet hair, dust, and large debris from mattresses, couches, curtains, and other delicate upholstered fabrics.

D Dusting Brush

This brush dusts and cleans delicate surfaces. Great for use on fans, blinds, lampshades, and keyboards.

E Pet Multi-Tool

A single convertible tool for cleaning tough pet messes two ways: use the stiff bristle brush to clean stuck-on debris, or take off the bristles to reveal an upholstery tool perfect for removing stubborn pet hair and large piles of debris.

F Duster Crevice Tool

Two cleaning tools in one. The crevice tool gives you extended reach to clean in tight spaces, while the soft brush is ideal for dusting delicate surfaces.

G Anti-Allergen Dust Brush

This brush features nylon fiber bristles specifically designed for removing fine dust and allergen particles from the most delicate surfaces.

H Self-Cleaning Pet Power Brush

Tackles pet hair and ground-in dirt from above-floor areas like carpeted stairs and upholstery, while actively removing hair wrap as it cleans.

I Precision Duster

This flexible tube features a micro-duster crevice tool on the end for cleaning around delicate objects and in difficult-to-reach spots like car interiors and computer keyboards.

J Under-Appliance Wand

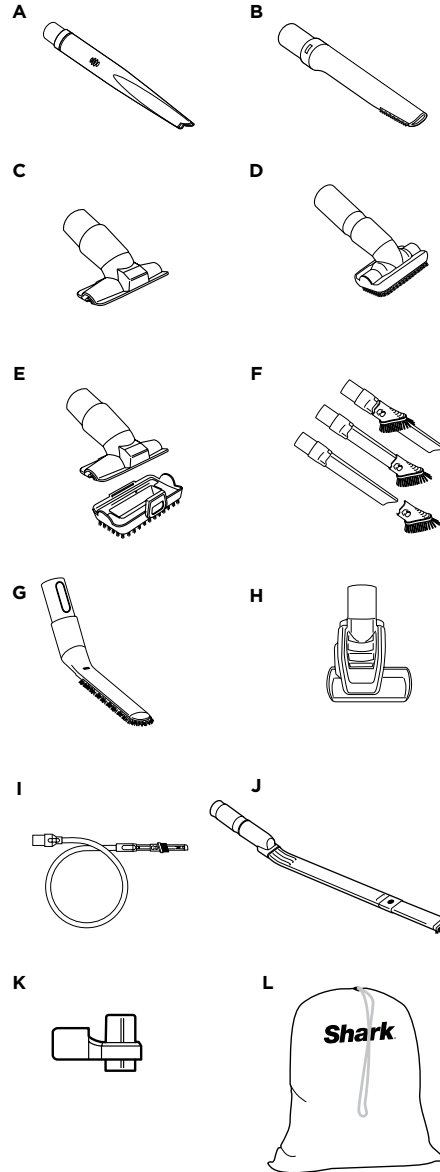
Clean under and behind hard-to-move appliances and furniture with this adjustable 36" tool. Flip the extension piece over to clean the underside of appliances.

K Onboard Storage Clip

This removable clip attaches to your vacuum. The clip can store up to two accessories at a time while you clean.

L Accessory Bag (Large, 32 cm x 70 cm)

This convenient accessory storage bag measures 32 cm x 70 cm and fits the Under-Appliance Wand. Smaller size available at sharkaccessories.com

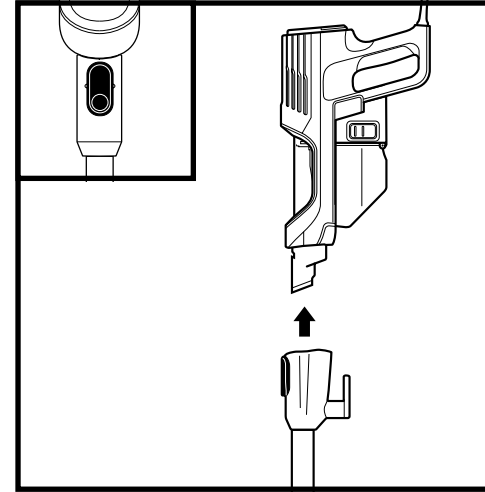


MAINTENANCE

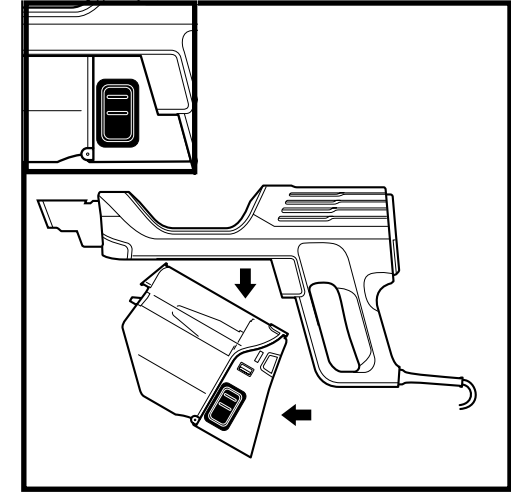
IMPORTANT: Unplug the vacuum before performing any maintenance.

EMPTYING THE DUST CUP

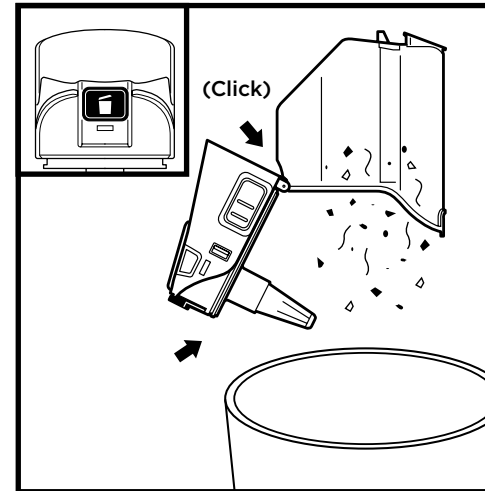
Empty the dust cup each time you vacuum and periodically during cleaning, when debris in the dust cup reaches the MAX fill line.



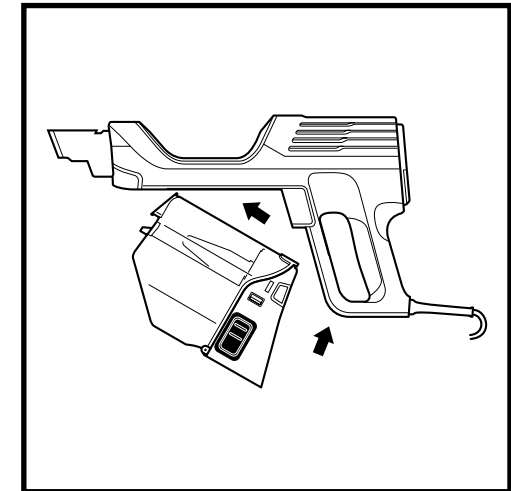
Press the **Wand Release** button and lift off the handheld vacuum.



To remove the dust cup from the handheld vacuum, press the two **Dust Cup Release** buttons at the same time and slide out the dust cup.



Hold the dust cup over the trash. Press the **Empty** button and pull open the dust cup lid until it clicks and locks in the open position. Gently tap the cone-shaped screen inside the dust cup to knock dust and debris into the trash.



To reinstall, push the lid closed, then insert the front end of the dust cup into the handheld vacuum first, then the back end, until it clicks into place.

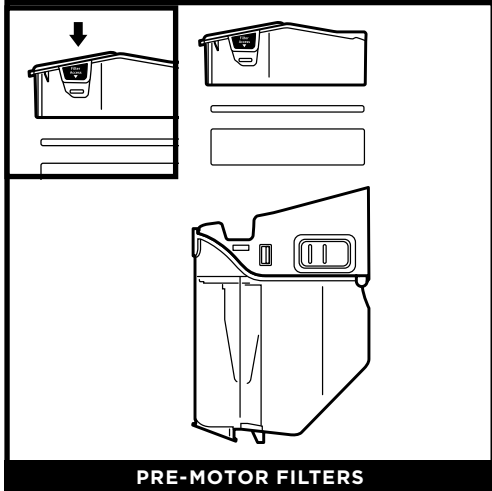
MAINTENANCE

IMPORTANT: Unplug the vacuum before performing any maintenance.

CLEANING FILTERS

Regularly rinse and replace the filters to maintain your vacuum's suction power.

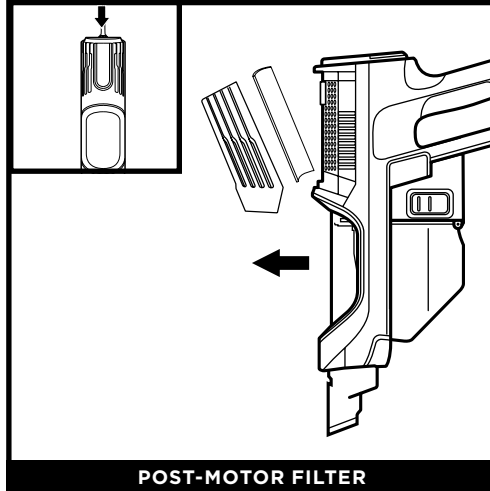
To prevent damage from cleaning chemicals, rinse filters with cold water only. Do not use soap. Allow all filters to air-dry for at least 24 hours before reinstalling them to prevent liquid from being drawn into electronic parts.



PRE-MOTOR FILTERS

With the dust cup detached, press the Filter Access buttons on both sides of the back of the dust cup, then pull out the filter housing. Pull the foam filter out of the housing, then lift out the felt filter by the pull tab.

The **Pre-Motor Filters** should be washed once a month.



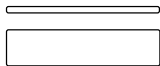
POST-MOTOR FILTER

To access the post-motor filter, press the release latch on the filter cover on the handheld vacuum. Remove the cover and lift out the filter.

The **Post-Motor Filter** should be washed once every 9 months.

REPLACEMENT FILTERS

Replacement Pre-Motor Filter Kit
XFFKHZ2000



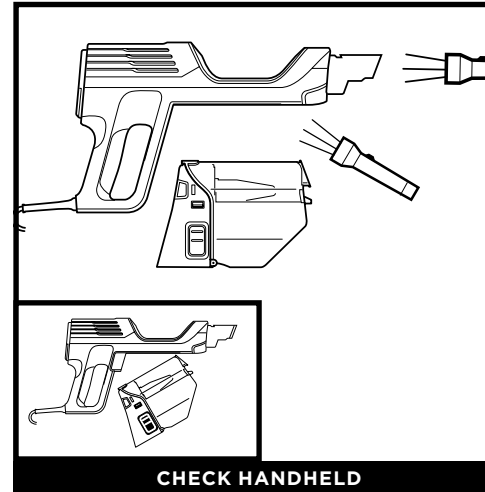
Replacement Post-Motor Filter
XPMFHZ2000



NOTE: The pre-motor filters should be replaced every 2.5 years. The post-motor filter should be replaced every 3 years.

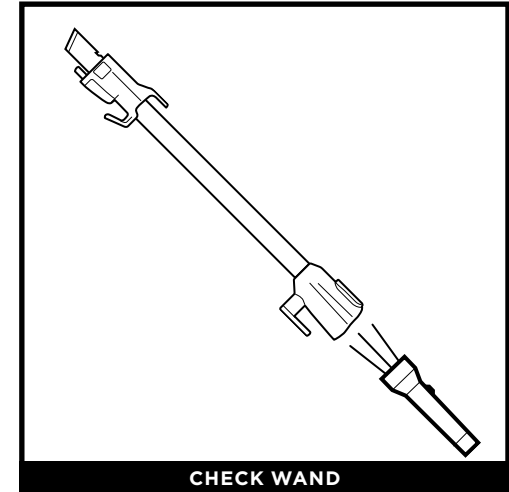
MAINTENANCE

CHECKING FOR BLOCKAGES



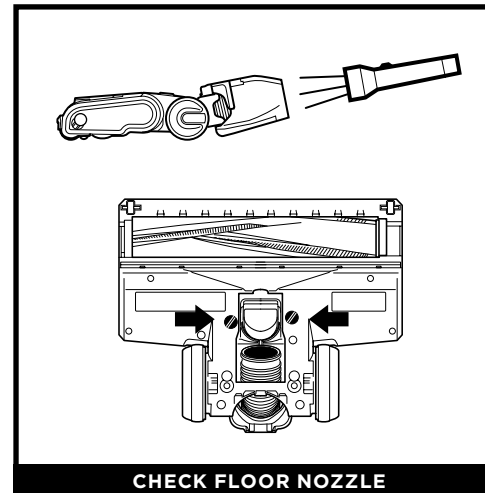
CHECK HANDHELD

Remove the handheld vacuum from the wand and check all dust cup intake openings for debris or blockages.



CHECK WAND

Detach the wand and check it for blockages.

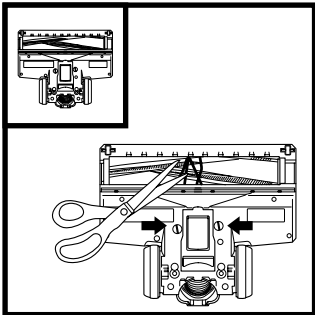


CHECK FLOOR NOZZLE

Detach the wand, then tilt the floor nozzle **Debris Intake** back and check openings for blockages.

MAINTENANCE

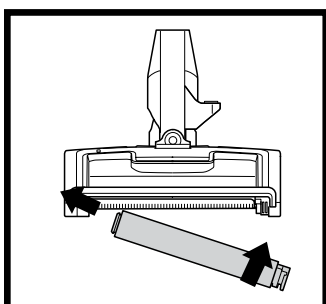
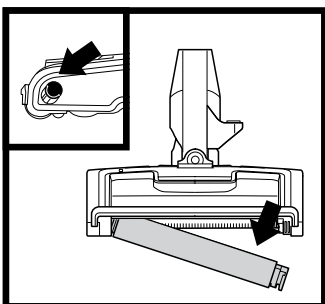
FLOOR NOZZLE MAINTENANCE



If you notice any hair wrap, continue vacuuming and the **Self-Cleaning Brushroll** will automatically remove it. If some hair wrap remains after continued use, carefully clear it away from the brushroll.

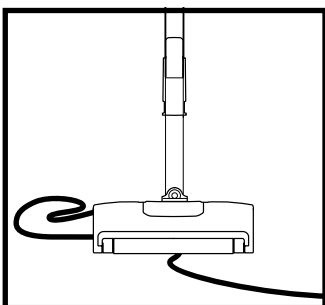
Check the **Debris Intake** and clear away any dirt or blockages. Press the tabs on both sides of the debris intake tube, then pull the tube until it extends out of the nozzle. Clear any dirt or blockages. To close, push the tube down until it clicks into place.

CLEANING THE SOFT ROLLER



- 1 To remove the Soft Roller, slide the **Eject Roller** button on the floor nozzle.
- 2 Tap loose debris off the Soft Roller. Use a dry towel to wipe it clean, and to remove any debris caught in the teeth behind the Soft Roller.
- 3 Hand-wash the Soft Roller as needed. Use only water, and let it air-dry completely for at least 24 hours.
- 4 Reinsert the Soft Roller and press it in until it clicks securely into place.

CORD MAINTENANCE



1. **DO NOT** pull or carry vacuum cleaner by the cord or use cord as a handle.
2. **DO NOT** unplug by pulling on the cord. Grasp the plug, not the cord.
3. **DO NOT** close the door on the cord.
4. **DO NOT** pull the cord around sharp corners.
5. **DO NOT** leave the cord near heated surfaces.

To minimize the risk of power cord damage, **DO NOT** run the vacuum over the power cord. If this occurs, immediately shut off power to the vacuum and remove the cord from the brushroll or nozzle.

NOTE: For best performance, keep the Soft Roller clean with regular maintenance.

TROUBLESHOOTING

Power cord caught in brushroll or floor nozzle.

- To minimize the risk of power cord damage, **DO NOT** run the vacuum over the power cord. If this occurs, immediately shut off power to the vacuum and remove the cord from the brushroll or nozzle.
- Inspect power cord and plug for any damage before use. **DO NOT** use vacuum cleaner with a damaged cord or plug. Turn off all controls before plugging in or unplugging the vacuum cleaner. Store your vacuum cleaner with the power cord secured around the two cord hooks.

Vacuum is not picking up debris. No suction or light suction.

See Maintenance section for more information.

Empty the dust cup. Check filters to see if they need cleaning. Follow instructions for rinsing and completely air-drying the filters before reinstalling them.

- Clear any blockages in the nozzle, wand, handheld vacuum, or accessories. See Checking for Blockages section for more information.
- If any string, hair, or carpet fibers remain wrapped around the brushroll after continued use, carefully clear them away.
- Remove any blockages from the debris intake in the floor nozzle. Pinch the tabs on the bottom of the nozzle to open the cover, and lift up the intake tube. Clear blockages, then push the tube down and press the nozzle cover closed.

Vacuum lifts area rugs.

Suction is powerful. Take care when vacuuming area rugs or rugs with delicately sewn edges.

- Turn off the unit to disengage the brushrolls. To restart, press the power button on the handle.

NOTE: Clean area rugs in Bare Floor mode or with accessories. See Available Accessories section.

Vacuum turns off on its own or the indicator light flashes red.

If your vacuum overheats, the thermostat will automatically turn off the motor. Perform the following steps to restart:

1. Turn off the vacuum and unplug it.
2. Empty the dust cup and clean the filters. See Emptying the Dust Cup and Cleaning Filters sections.
3. Check for blockages in the wand, floor nozzle, handheld vacuum, inlet openings, and accessories.
4. Reassemble the entire vacuum and ensure all parts click into place.
5. Allow unit to cool for a minimum of 60 minutes.
6. Plug in vacuum and turn it on.

Handheld vacuum is warm.

Due to the strong suction power of the vacuum, it is normal for the area around the filter exhaust to become warm during and after use. Turn off the vacuum and wait 10 minutes for it to cool down. If it still feels warm, clean the pre-motor and post-motor filters. See Maintenance section for filter cleaning instructions.

For all other issues, visit sharkclean.com/support.

FIVE (5) YEAR LIMITED WARRANTY

The Five (5) Year Limited Warranty applies to purchases made from authorized retailers of **SharkNinja Operating LLC**. Warranty coverage applies to the original owner and to the original product only and is not transferable.

SharkNinja warrants that the unit shall be free from defects in material and workmanship for a period of five (5) years from the date of purchase when it is used under normal household conditions and maintained according to the requirements outlined in the Owner's Guide, subject to the following conditions and exclusions:

What is covered by this warranty?

1. The original unit and/or non-wearable components deemed defective, in SharkNinja's sole discretion, will be repaired or replaced up to five (5) years from the original purchase date.
2. In the event a replacement unit is issued, the warranty coverage ends six (6) months following the receipt date of the replacement unit or the remainder of the existing warranty, whichever is later. SharkNinja reserves the right to replace the unit with one of equal or greater value.

What is not covered by this warranty?

1. Normal wear and tear of wearable parts (such as foam filters, HEPA filters, pads, etc.), which require regular maintenance and/or replacement to ensure the proper functioning of your unit, are not covered by this warranty. Replacement parts are available for purchase at **sharkaccessories.com**.
2. Any unit that has been tampered with or used for commercial purposes.
3. Damage caused by misuse (e.g., vacuuming up water or other liquids), abuse, negligent handling, failure to perform required maintenance (e.g., not cleaning the filters), or damage due to mishandling in transit.
4. Consequential and incidental damages.
5. Defects caused by repair persons not authorized by SharkNinja. These defects include damages caused in the process of shipping, altering, or repairing the SharkNinja product (or any of its parts) when the repair is performed by a repair person not authorized by SharkNinja.
6. Products purchased, used, or operated outside North America.

How to get service

If your appliance fails to operate properly while in use under normal household conditions within the warranty period, visit **sharkclean.com/support** for product care and maintenance self-help. Our Customer Service Specialists are also available at **1-800-798-7398** to assist with product support and warranty service options, including the possibility of upgrading to our VIP warranty service options for select product categories.

SharkNinja will cover the cost for the customer to send in the unit to us for repair or replacement. A fee of \$25.95 (subject to change) will be charged when SharkNinja ships the repaired or replacement unit.

How to initiate a warranty claim

You must call **1-800-798-7398** to initiate a warranty claim. You will need the receipt as proof of purchase. A Customer Service Specialist will provide you with return and packing instruction information.

How state law applies

This warranty gives you specific legal rights, and you also may have other rights that vary from state to state. Some states do not permit the exclusion or limitation of incidental or consequential damages, so the above may not apply to you.

REGISTER YOUR PURCHASE



registeryourshark.com



Scan QR code using mobile device



Benefits of registering your product and creating an account:

- Get easier, faster product support and access to warranty information
- Access troubleshooting and product care instructions
- Be among the first to know about exclusive product promotions

TIP: The model number is on the rating label behind the dust cup.

TIP: The date code is on one of the prongs of the power cord plug.

RECORD THIS INFORMATION

Model Number: _____

Date Code: _____

Date of Purchase: _____
(Keep receipt)

Store of Purchase: _____

TECHNICAL SPECIFICATIONS

Voltage: 120V~, 60Hz

Watts: 680W

CONSIGNES DE SÉCURITÉ IMPORTANTES

POUR USAGE DOMESTIQUE SEULEMENT

⚠ AVERTISSEMENT

Pour réduire le risque d'incendie, de décharge électrique, de blessure ou de dommages matériels lors de l'utilisation d'un appareil électrique, il faut toujours suivre les précautions de base suivantes :

LISEZ TOUTES LES INSTRUCTIONS AVANT D'UTILISER CET ASPIRATEUR

- Inspectez le cordon d'alimentation et la fiche pour déceler d'éventuels dommages avant l'utilisation. **N'UTILISEZ PAS** l'aspirateur si le cordon d'alimentation ou la fiche sont endommagés. Fermez toutes les commandes avant de brancher ou de débrancher l'aspirateur. Rangez l'aspirateur en prenant soin d'enrouler le cordon d'alimentation autour des deux crochets à cordon. Pour minimiser le risque d'endommager le cordon d'alimentation, ne laissez pas la brosse rotative motorisée ingérer le cordon. Si cela se produit, coupez immédiatement l'alimentation de l'aspirateur et retirez le cordon.
- Cet appareil est muni d'une fiche polarisée. Si la fiche ne s'insère pas complètement dans la prise électrique, inversez la fiche (une lame est plus large que l'autre). Si elle ne s'insère toujours pas, communiquez avec un électricien qualifié. **NE FORCEZ PAS** pour insérer la fiche dans la prise et ne tentez pas de la modifier.
- Votre aspirateur pourrait être composé d'une buse motorisée, d'un tube, d'un tuyau ou d'un réceptacle. Cet appareil comporte des raccords électriques, du filage électrique et des pièces amovibles pouvant exposer l'utilisateur à certains risques.
- Utilisez uniquement des pièces de rechange identiques.
- Respectez et suivez attentivement les instructions ci-dessous afin d'éviter tout usage inadéquat de l'appareil. **N'UTILISEZ PAS** l'aspirateur pour un usage autre que ceux décrits dans le présent manuel.
- Avant d'utiliser l'appareil, inspectez soigneusement toutes les pièces afin de déceler tout dommage. **NE L'UTILISEZ PAS** s'il est endommagé.

- L'utilisation d'une rallonge électrique **N'EST PAS** recommandée.
- Cet aspirateur ne contient aucune pièce pouvant être réparée par l'utilisateur.

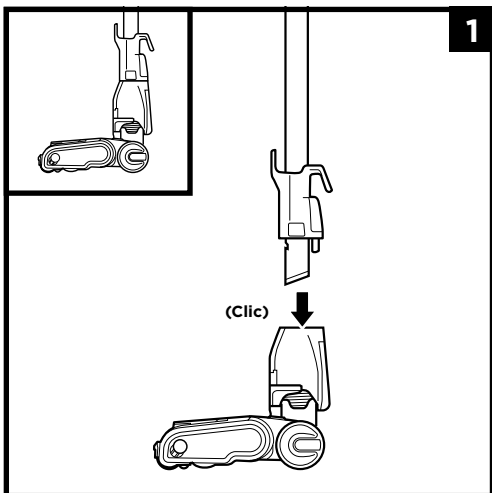
AVERTISSEMENTS CONCERNANT L'UTILISATION

- Cet appareil peut être utilisé par des personnes dont les capacités physiques, sensorielles ou mentales sont réduites ou qui manquent d'expérience et de connaissances seulement si elles ont été supervisées ou instruites par rapport à l'utilisation sécuritaire de l'appareil et si elles comprennent les dangers possibles. Les enfants ne peuvent pas nettoyer ni entretenir l'appareil. Gardez l'appareil et son câble hors de la portée des enfants. **NE LAISSEZ PAS** les enfants se servir de l'appareil. **NE PERMETTEZ PAS** de l'utiliser comme un jouet. Une surveillance étroite est nécessaire lorsque l'appareil est utilisé en présence d'enfants.
- Mettez toujours l'aspirateur hors tension avant d'attacher ou de détacher la buse motorisée ou un autre accessoire.
- NE MANIPULEZ PAS** la fiche ou l'aspirateur avec les mains mouillées.
- N'UTILISEZ PAS** l'appareil si les filtres ne sont pas en place.
- Utilisez uniquement des filtres et des accessoires de marque Shark®.
- N'ENDOMMAGEZ PAS** le cordon d'alimentation :
 - N'UTILISEZ PAS** le cordon d'alimentation comme poignée pour transporter ou pour tirer l'aspirateur.
 - NE DÉBRANCHEZ PAS** l'appareil en tirant sur le cordon d'alimentation. Agrippez la fiche et non le cordon d'alimentation.
 - NE PASSEZ PAS** l'aspirateur sur le cordon d'alimentation, ne fermez pas de porte sur le cordon, ne tendez pas le cordon sur des coins pointus et ne laissez pas le cordon près de surfaces chaudes.

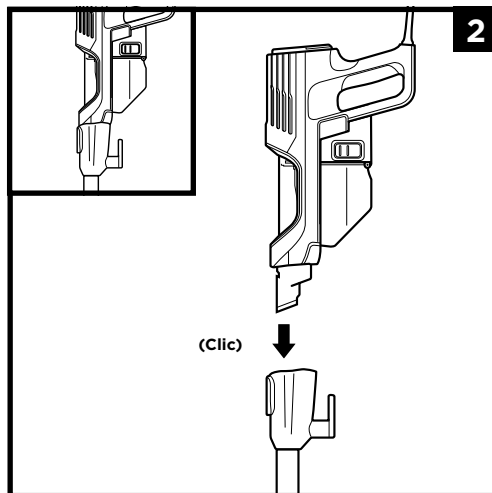
- ÉVITEZ** d'insérer des objets dans les ouvertures de la buse ou de tout autre accessoire. **N'UTILISEZ PAS** l'appareil si une ouverture est obstruée. Veillez à ce que les ouvertures ne soient pas bloquées par de la poussière, de la peluche, des cheveux ou tout autre élément qui pourrait gêner la circulation de l'air.
 - N'UTILISEZ PAS** l'appareil si le flux d'air de la buse ou de l'accessoire est obstrué. Si la buse de plancher motorisée ou les conduits d'air deviennent obstrués, éteignez l'aspirateur et débranchez-le de la prise de courant. Retirez toute obstruction avant de remettre l'appareil en marche.
 - Tenez la buse et tous les orifices de l'aspirateur éloignés des cheveux, du visage, des doigts, des pieds déchaussés ou de vêtements amples.
 - N'UTILISEZ PAS** l'aspirateur s'il ne fonctionne pas comme prévu, ou s'il a été échappé sur le sol, endommagé, laissé à l'extérieur ou immergé.
 - Soyez extrêmement prudent lorsque vous nettoyez les escaliers.
 - NE LAISSEZ PAS** l'aspirateur sans surveillance lorsqu'il est branché.
 - Lorsqu'il est en marche, gardez l'aspirateur en mouvement sur le tapis en tout temps, afin d'éviter d'endommager les fibres du tapis.
 - NE PLACEZ PAS** l'aspirateur sur des surfaces instables comme des chaises ou des tables.
 - Votre aspirateur Shark® pourrait ne pas avoir été conçu pour se maintenir de lui-même en position verticale. Lorsque vous prenez une pause, vous devrez peut-être l'appuyer contre un meuble ou un mur, ou le placer sur le plancher. Toute utilisation où l'aspirateur serait entraîné dans une position instable pourrait entraîner des blessures corporelles.
 - N'UTILISEZ PAS** l'appareil pour aspirer :
 - Des liquides
 - Des objets de grande taille
 - Des objets durs ou tranchants (verre, clous, vis ou pièces de monnaie)
 - De grandes quantités de poussière (poussière de cloison sèche, cendres ou braises de foyer). **N'UTILISEZ PAS** l'aspirateur comme accessoire pour un outil électrique pour l'aspiration de la poussière.
 - Des objets fumants ou brûlants (charbons ardents, mégots de cigarettes ou allumettes)
 - Des matériaux inflammables ou combustibles (essence à briquet, essence ou kérosène)
 - Des matières toxiques (eau de Javel, ammoniac ou produit débouchant)
- 25. N'UTILISEZ PAS** l'appareil dans les endroits suivants :
- Les endroits faiblement éclairés
 - Les surfaces humides ou mouillées
 - À l'extérieur
 - Endroits fermés pouvant contenir des matières explosives ou des fumées ou des vapeurs toxiques (essence à briquet, essence, kérosène, peinture, diluants à peinture, produits de traitement antimite ou poussières inflammables)
- Fermez toutes les commandes avant de débrancher ou de débrancher l'aspirateur.
 - Débranchez l'appareil de la prise murale lorsqu'il n'est pas en usage, et avant d'en faire l'entretien ou de le nettoyer.
 - Lavez à la main avec de l'eau seulement. L'utilisation de produits chimiques de nettoyage pourrait endommager l'appareil.
 - Pendant le nettoyage ou l'entretien, **NE COUPEZ AUCUNE** matière autre que des cheveux, des fibres ou de la ficelle enroulés autour de la brosse rotative.
 - Laissez tous les filtres sécher complètement avant de les remettre dans l'aspirateur pour éviter que du liquide ne soit aspiré dans les composants électriques.
 - Après avoir effectué l'entretien de routine, assurez-vous que le récipient à poussière et tous les filtres sont en place.
 - Le cas échéant, fixez le cordon d'alimentation autour des deux crochets avant de ranger l'appareil.

CONSERVEZ CES INSTRUCTIONS

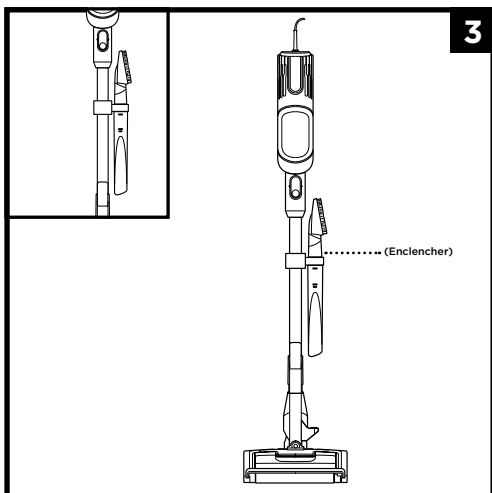
ASSEMBLAGE



1. Insérez le **tube** dans la **buse de plancher**.

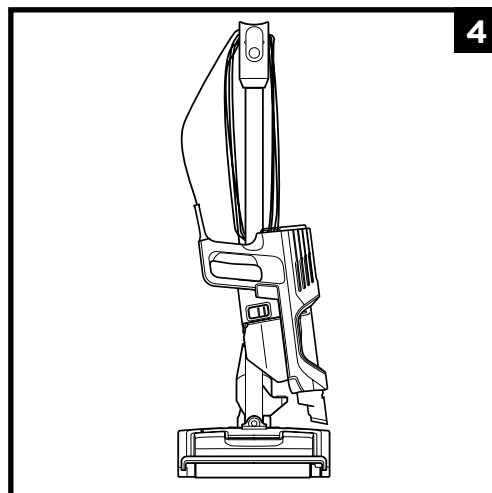


2. Insérez l'**aspirateur portatif** dans le tube.



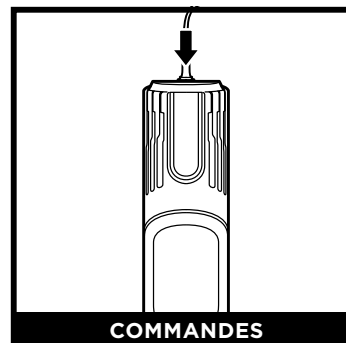
3. Enclenchez l'**attache de rangement intégrée** sur le tube, puis placez les accessoires sur le support.

Assurez-vous que tous les raccords sont bien enclenchés.



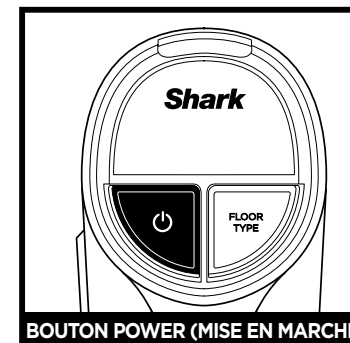
4. Pour un rangement compact, suspendez l'**aspirateur portatif** par le **crochet de rangement** sur le tube.

RÉGLAGES



COMMANDES

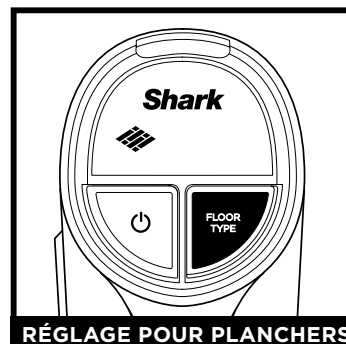
Le panneau de commande se trouve sur le dessus de l'**aspirateur portatif**.



BOUTON POWER (MISE EN MARCHÉ)

Bouton Power (mise en marche)

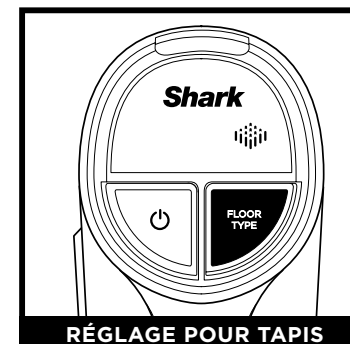
Appuyez sur le bouton de mise en marche pour commencer à passer l'**aspirateur**. Appuyez de nouveau pour l'**arrêter**. Appuyez sur le bouton FLOOR TYPE (type de plancher) pour alterner entre les réglages pour planchers et tapis.



RÉGLAGE POUR PLANCHERS

Plancher/Carpettes

Lorsqu'il est mis en marche, l'**aspirateur** est en mode Bare Floor (plancher). Dans ce mode, les rouleaux des brosses rotatives tournent lentement pour nettoyer les planchers et les carpes.



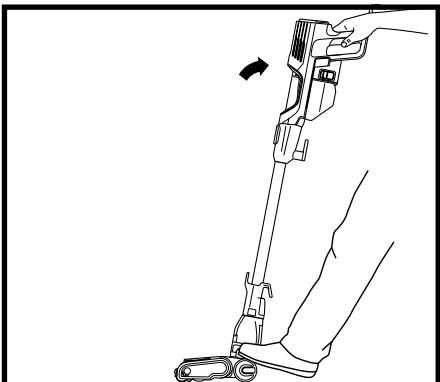
RÉGLAGE POUR TAPIS

Tapis

Appuyez sur FLOOR TYPE (type de plancher) pour passer au réglage Carpet (tapis). Les brosses rotatives tournent rapidement pour aspirer les débris incrustés dans les tapis.

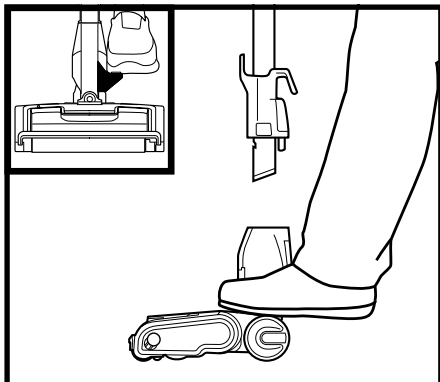
REMARQUE : Utilisez le sélecteur de surface pour alterner entre les réglages Bare Floor (plancher) et Carpet (tapis).
REMARQUE : Pour un nettoyage en profondeur conformément à la norme ASTM F 608 (saleté incrustée dans les tapis), veuillez utiliser le réglage Carpet (tapis).
REMARQUE : Sélectionnez le mode Carpet (tapis) pour la poussière et les débris collés.

MODES DE NETTOYAGE



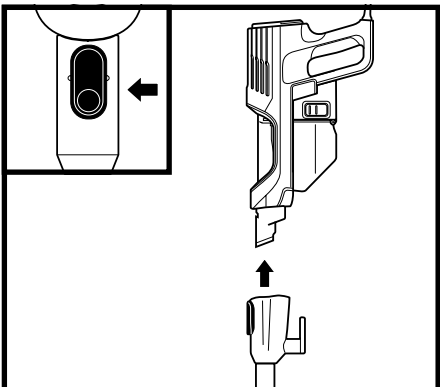
MODE POUR PLANCHERS

Pour nettoyer les planchers, appuyez sur la buse de plancher et inclinez vers l'arrière l'aspirateur portatif.



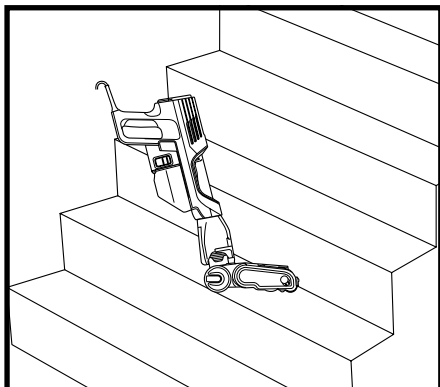
AU-DESSUS DU SOL AVEC LE TUBE

Pour élargir votre portée, détachez le tube. Pour détacher le tube, placez l'aspirateur en position debout, appuyez sur la **pédale** sur le côté de la buse et tirez le tube vers le haut.



AU-DESSUS DU SOL AVEC L'ASPIRATEUR PORTATIF

Pour détacher l'aspirateur portatif, appuyez sur le bouton **Wand Release** (dégagement du tube) et soulevez l'aspirateur portatif pour le retirer du tube. Idéal pour nettoyer les escaliers, les meubles et les comptoirs.

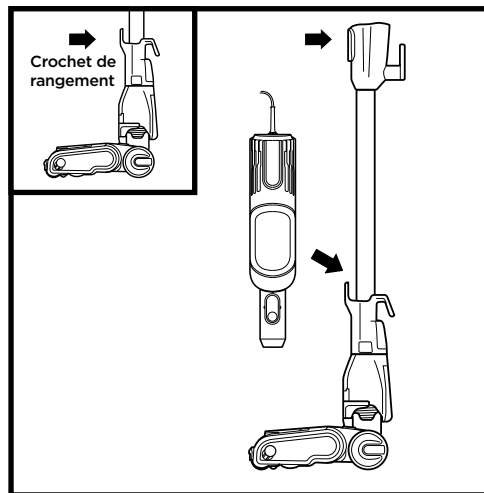


NETTOYAGE DES ESCALIERS

Pour nettoyer les escaliers ou les autres espaces étroits, fixez l'aspirateur portatif à la buse de plancher.

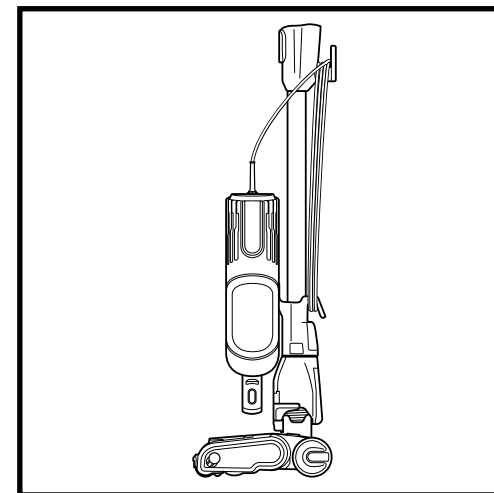
MODE RANGEMENT

CROCHET DE RANGEMENT DE L'ASPIRATEUR PORTATIF

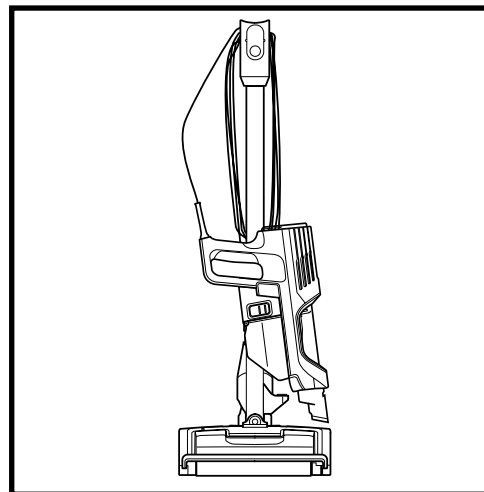


Appuyez sur le bouton **Wand Release** (dégagement du tube) situé près de la partie supérieure du tube pour dégager l'aspirateur portatif.

Alignez le **collecteur** sur le côté de l'aspirateur portatif avec le **crochet de rangement** sur le tube, puis suspendez l'aspirateur portatif sur le crochet.



Enroulez le câble d'alimentation autour des deux crochets. Commencez par le crochet supérieur et laissez un peu de jeu dans le fil.



REMARQUE : Tous les accessoires sont compatibles avec le tube et l'aspirateur portatif.

ACCESSOIRES DISPONIBLES

REMARQUE : Tous les accessoires ne sont pas fournis avec tous les appareils. Pour une liste des accessoires inclus avec ce modèle, consultez le rabat intérieur supérieur de la boîte. Pour acheter des accessoires supplémentaires, consultez le site sharkaccessories.com.

A Suceur plat

Cet outil mince est parfait pour nettoyer les espaces restreints, entre les coussins du divan et les zones difficiles à atteindre. Un suceur plat plus long est offert à sharkaccessories.com.

B Suceur plat pour poils d'animaux de compagnie

Cet outil polyvalent et effilé de 20 cm enlève les poils d'animaux des endroits difficiles d'accès comme les coins, les plafonds et entre les coussins.

C Outil à meubles

Enlève les poils d'animaux, la poussière et les gros débris des matelas, des canapés, des rideaux et des autres surfaces délicates en tissu rembourré.

D Brosse à épousseter

Cette brosse époussette et nettoie les surfaces délicates. Elle est parfaite pour nettoyer les ventilateurs, les stores, les abat-jours et les claviers.

E Accessoire polyvalent pour les poils d'animaux de compagnie

Un seul outil convertible pour nettoyer les dégâts des animaux de compagnie de deux manières : utilisez la brosse à poils rigides pour nettoyer les débris tenaces, ou retirez la brosse à poils pour révéler un outil à meubles parfait pour nettoyer les poils d'animaux tenaces et les amas de débris.

F Outil suceur plat avec brosse à épousseter

Deux accessoires pour le nettoyage en un. Le suceur plat vous permet de mieux atteindre des espaces restreints à nettoyer, tandis que la brosse douce à épousseter est parfaite pour nettoyer des surfaces délicates.

G Brosse à épousseter anti-allergène

Cette brosse est dotée de poils de fibres de nylon spécialement conçus pour enlever la poussière fine et les particules allergènes des surfaces les plus délicates.

H Brosse motorisée autonettoyante pour les poils d'animaux

S'attaque aux poils d'animaux domestiques et à la saleté incrustée dans les zones surélevées, comme les marches recouvertes de tapis et les meubles en tissu, tout en retirant activement les poils qui s'enroulent pendant qu'elle nettoie.

I Brosse à épousseter de précision

Ce tube flexible comporte à son bout un micro-suceur plat avec brosse à épousseter permettant de nettoyer autour d'objets délicats et dans des endroits difficiles d'accès comme dans les habitacles de voiture et sur les claviers d'ordinateur.

J Tube d'extension pour l'espace sous les meubles

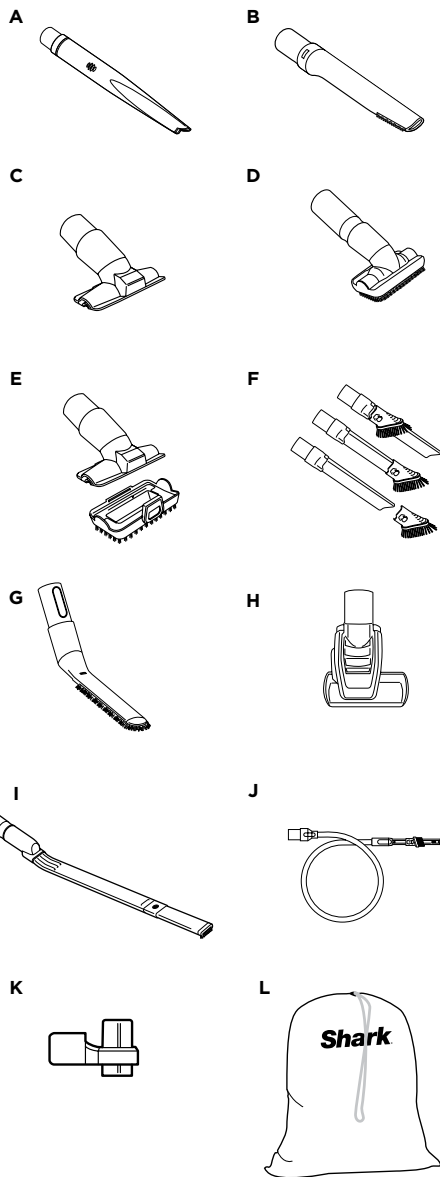
Utilisez cet accessoire réglable de 90 cm pour nettoyer en dessous et à l'arrière des meubles et des appareils électroménagers difficiles à déplacer. Retournez l'accessoire de rallonge pour nettoyer en dessous des appareils électroménagers.

K Attache de rangement intégrée

Cette attache amovible se fixe sur votre aspirateur. L'attache peut comporter jusqu'à deux accessoires en même temps lors du nettoyage.

L Sac d'accessoires (large, 32 x 70 cm)

Ce sac de rangement pratique pour accessoires de 32 cm x 70 cm peut contenir le tube d'extension pour l'espace sous les meubles. Taille plus petite proposée sur sharkaccessories.com.

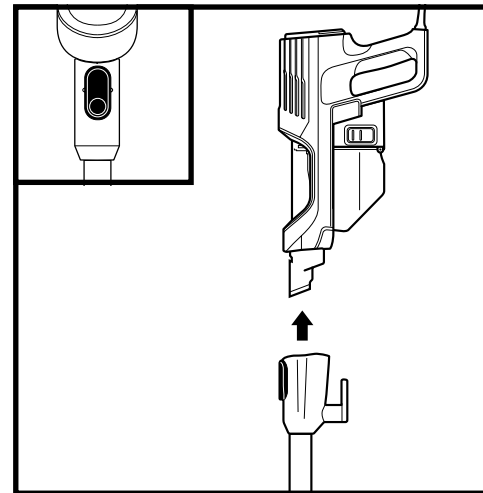


ENTRETIEN

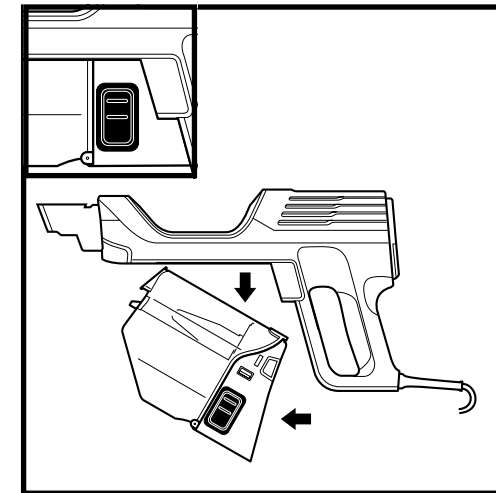
IMPORTANT : Débranchez l'aspirateur avant d'effectuer tout entretien.

VIDANGE DU RÉCIPENT À POUSSIÈRE

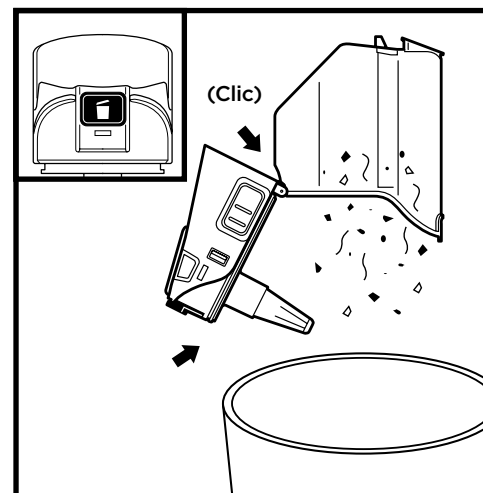
Videz le récipient à poussière chaque fois que vous passez l'aspirateur et périodiquement pendant le nettoyage, lorsque les débris dans le récipient atteignent la ligne MAX fill (remplissage maximal).



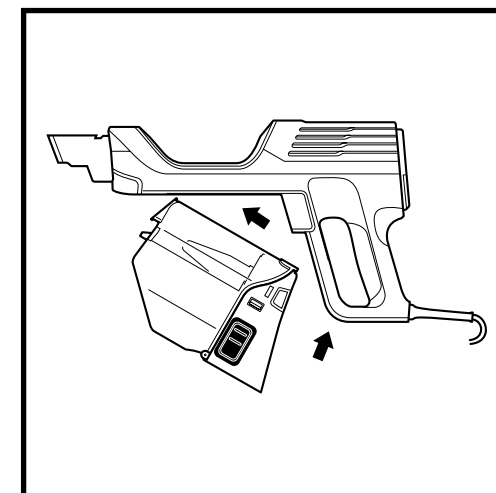
Appuyez sur le bouton **Wand Release** (dégagement du tube) et soulevez l'aspirateur portable pour le retirer du tube.



Pour retirer le récipient à poussière de l'aspirateur portable, appuyez simultanément sur les deux boutons **Dust Cup Release** (déverrouillage du récipient à poussière), puis faites glisser le récipient à poussière.



Tenez le récipient à poussière au-dessus de la poubelle. Appuyez sur le bouton **Empty** (vidange) et tirez pour ouvrir le couvercle du récipient à poussière jusqu'à ce qu'il s'enclenche et se verrouille en position ouverte. Tapotez doucement le filtre en forme de cône à l'intérieur du récipient à poussière pour faire tomber la poussière et les débris dans la poubelle.



Pour réinstaller, poussez le couvercle pour le refermer, puis insérez d'abord l'extrémité avant du récipient à poussière dans l'aspirateur portable, puis l'extrémité arrière, jusqu'à ce qu'elle s'enclenche avec un clic.

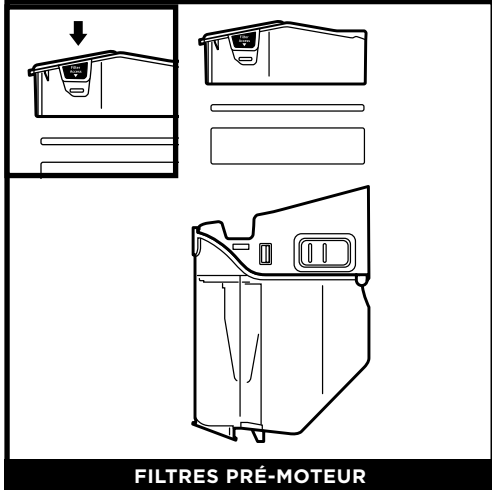
ENTRETIEN

IMPORTANT : Débranchez l'aspirateur avant d'effectuer tout entretien.

NETTOYAGE DES FILTRES

Rincez régulièrement et remplacez les filtres afin de maintenir la puissance d'aspiration de votre aspirateur.

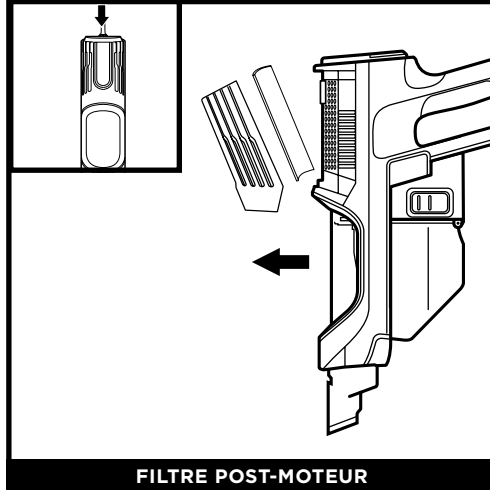
Rincez les filtres avec de l'eau froide seulement afin d'éviter les dégâts résultant de l'utilisation de produits chimiques. N'utilisez pas de savon. Laissez tous les filtres sécher entièrement au moins 24 heures avant de les remettre dans l'aspirateur pour éviter que l'eau ne soit aspirée dans les composants électroniques.



FILTRES PRÉ-MOTEUR

Une fois le récipient à poussière détaché, appuyez sur les boutons de dégagement de la porte du filtre des deux côtés à l'arrière du récipient à poussière, puis retirez le boîtier du filtre. Retirez le filtre en mousse du boîtier, puis soulevez le filtre en feutre par la languette.

Les **filtres pré-moteur** devraient être lavés une fois que par mois.



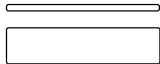
FILTRE POST-MOTEUR

Pour accéder au filtre post-moteur, appuyez sur le loquet de dégagement du couvercle du filtre de l'aspirateur portatif. Retirez le couvercle et soulevez le filtre pour le retirer.

Le **filtre post-moteur** devrait être lavé une fois tous les neuf mois.

FILTRES DE REMPLACEMENT

Trousse de remplacement du filtre pré-moteur
XFFKHZ2000



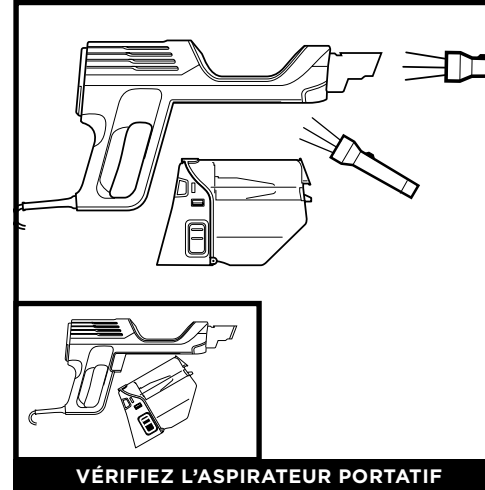
Filtre post-moteur de remplacement
XPMFHZ2000



REMARQUE : Les filtres pré-moteur devraient être remplacés tous les 2 ans et demi. Le filtre post-moteur devrait être remplacé tous les 3 ans.

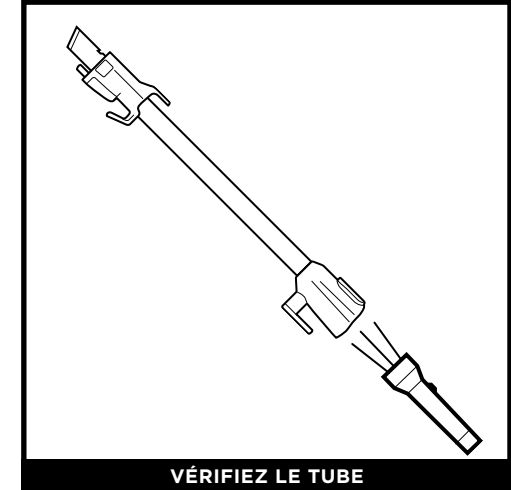
ENTRETIEN

VÉRIFICATION DE LA PRÉSENCE D'OBSTRUCTIONS



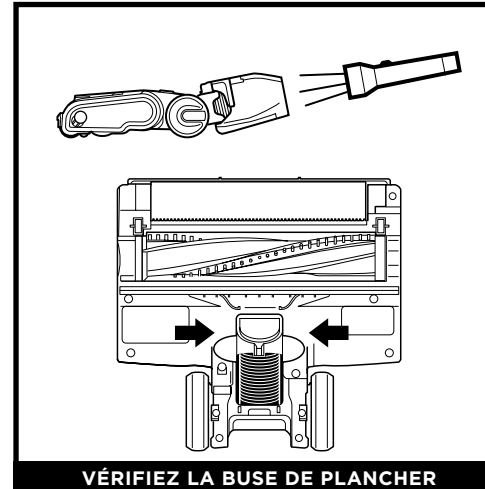
VÉRIFIEZ L'ASPIRATEUR PORTATIF

Retirez l'aspirateur portatif du tube et vérifiez toutes les entrées du récipient à poussière pour y déceler la présence de débris ou de poussière.



VÉRIFIEZ LE TUBE

Détachez le tube et vérifiez qu'il n'est pas obstrué.

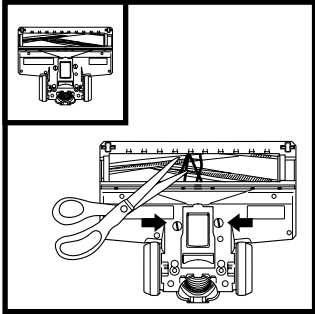


VÉRIFIEZ LA BUSE DE PLANCHER

Détachez le tube, puis inclinez l'**absorbeur de débris** de la buse de plancher vers l'arrière et vérifiez les ouvertures pour y déceler toute obstruction.

ENTRETIEN

ENTRETIEN DE LA BUSE DE PLANCHER

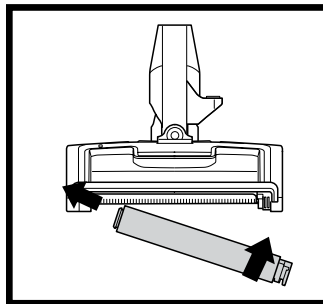
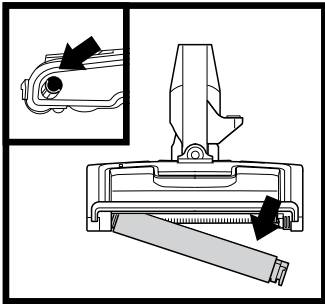


Si vous remarquez un enroulement de poils et de cheveux, continuez à passer l'aspirateur et la **brosse rotative autonettoyante** les enlèvera automatiquement. S'il reste un enroulement de poils et de cheveux après une utilisation continue, retirez-les doucement de la brosse rotative.

Vérifiez l'**absorbeur de débris** et dégagez toute saleté ou obstruction. Appuyez sur les languettes des deux côtés du tube d'aspiration des débris, puis tirez sur le tube jusqu'à ce qu'il sorte de la buse. Nettoyez toute saleté ou obstruction.

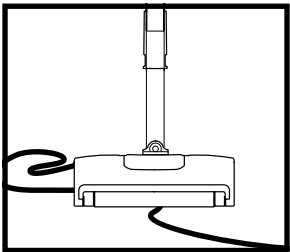
Pour fermer le couvercle, appuyez dessus jusqu'à ce qu'il s'enclenche.

NETTOYAGE DU ROULEAU DOUX



- 1 Pour retirer le rouleau doux, faites glisser le bouton **Eject Roller** (éjecter le rouleau) sur la buse de plancher.
- 2 Tapotez le rouleau doux pour en retirer les débris. Utilisez une serviette sèche pour l'essuyer et pour retirer les débris accumulés sur les dents derrière le rouleau doux.
- 3 Lavez le rouleau doux à la main au besoin. Utilisez uniquement de l'eau et laissez-le sécher entièrement à l'air libre pendant au moins 24 heures.
- 4 Réinsérez le rouleau doux et appuyez dessus jusqu'à ce qu'il se verrouille solidement en place.

ENTRETIEN DU CORDON



1. **N'UTILISEZ PAS** le cordon d'alimentation comme poignée, pour porter ou pour tirer l'aspirateur.
2. **NE DÉBRANCHEZ PAS** l'appareil en tirant sur le cordon d'alimentation. Saisissez la fiche et non le cordon.
3. **NE FERMEZ PAS** la semelle sur le cordon.
4. **NE TIREZ PAS** le cordon autour d'un coin pointu.
5. **NE LAISSEZ PAS** le cordon près de surfaces chauffées.

Pour minimiser les risques d'endommager le cordon d'alimentation, ne passez **PAS** l'aspirateur sur le cordon d'alimentation. Si cela se produit, coupez immédiatement l'alimentation de l'aspirateur et retirez le cordon de la brosse rotative ou de la buse.

REMARQUE : Pour une performance optimale, gardez le rouleau doux propre et entretenez-le régulièrement.

DÉPANNAGE

Le cordon d'alimentation est coincé dans la brosse rotative ou dans la buse de plancher.

- Pour minimiser le risque d'endommager le cordon d'alimentation, **NE PAS** faire passer l'aspirateur sur le cordon d'alimentation. Si cela se produit, coupez immédiatement l'alimentation de l'aspirateur et retirez le cordon de la brosse rotative ou de la buse.
- Avant d'utiliser l'appareil, inspectez le cordon d'alimentation pour déceler d'éventuels dommages. **N'UTILISEZ PAS** l'aspirateur si le cordon d'alimentation ou la fiche sont endommagés. Fermez toutes les commandes avant de brancher ou de débrancher l'aspirateur. Rangez l'aspirateur en prenant soin d'enrouler le cordon d'alimentation autour des deux crochets à cordon.

L'aspirateur ne ramasse pas la poussière. Aucune aspiration ou aspiration faible.

(Consultez la section Entretien pour obtenir plus de renseignements.)

- Videz le récipient à poussière. Vérifiez si les filtres doivent être nettoyés. Suivez les instructions de rinçage et de séchage des filtres avant de les réinstaller.
- Éliminez toute obstruction dans la buse, le tube, l'aspirateur portable ou les accessoires. Consultez la section Vérification des obstructions pour plus d'informations.
- Si une corde, des cheveux ou des fibres de tapis sont enroulés autour de la brosse rotative après une utilisation continue, éliminez-les soigneusement.
- Retirez toute obstruction de l'absorbeur de débris dans la buse de plancher. Pincez les languettes au bas de la buse pour ouvrir le couvercle et soulevez le tube d'absorption. Dégagez toute obstruction, puis poussez le tube vers le bas et appuyez sur le couvercle de la buse pour refermer.

L'aspirateur soulève les carpettes.

La succion est puissante. Faites attention lorsque vous passez l'aspirateur sur les carpettes et sur les tapis à bordure cousue délicate.

- Éteignez l'appareil pour dégager les brosses rotatives. Pour redémarrer, appuyez sur le bouton Power (mise en marche) de la poignée.

REMARQUE : Pendant le nettoyage au-dessus du sol, les accessoires sont optimisés pour différents types de débris (voir la section Accessoires offerts).

La buse d'aspiration cesse de fonctionner ou le voyant indicateur est rouge.

Si le voyant indicateur de la brosse rotative passe au rouge, éteignez et débranchez immédiatement l'aspirateur.

- Retirez le tube de la buse de plancher et éliminez toute obstruction.
- Remplacez le tube, branchez l'aspirateur et mettez-le sous tension.
- Si le voyant indicateur des brosses rotatives sur la buse de plancher est vert, l'obstruction a bien été dégagée. Si le voyant continue de s'allumer en rouge, communiquez avec le Service à la clientèle, au 1 800 798-7398.

L'aspirateur s'éteint tout seul ou le voyant indicateur clignote en rouge.

En cas de surchauffe de l'aspirateur, le thermostat éteint automatiquement le moteur de l'appareil. Suivez les étapes ci-dessous pour réinitialiser l'appareil :

1. Éteignez l'aspirateur et débranchez-le.
2. Videz le récipient à poussière et nettoyez les filtres. Reportez-vous aux sections Vidange du récipient à poussière et Nettoyage des filtres.
3. Vérifiez s'il y a des obstructions dans le tube, la buse de plancher, l'aspirateur portable, dans les orifices d'entrée d'air et dans les accessoires,
4. Réassemblez l'aspirateur en entier et assurez-vous que toutes les pièces sont en place.
5. Laissez refroidir l'appareil pendant au moins 60 minutes.
6. Branchez l'aspirateur et mettez-le en marche.

L'aspirateur portable est chaud.

En raison de la forte puissance d'aspiration de l'aspirateur, il est normal de ressentir de la chaleur autour de la zone d'échappement du filtre pendant et après l'utilisation. Éteignez l'aspirateur et laissez-le se refroidir pendant 10 minutes. Si la chaleur persiste, nettoyez les filtres pré-moteur et post-moteur. Reportez-vous à la section Entretien pour des instructions sur le nettoyage du filtre.

Si vous éprouvez toute autre difficulté, visitez sharkclean.com/support.

GARANTIE LIMITÉE DE CINQ (5) ANS

La garantie limitée de cinq (5) ans s'applique aux achats effectués auprès de détaillants autorisés de **SharkNinja Operating LLC**. La garantie s'applique uniquement au premier propriétaire et au produit original et n'est pas transférable.

SharkNinja garantit ce produit contre toute défectuosité de matériau ou de main-d'œuvre pour une période de cinq (5) ans à compter de la date d'achat, dans le cadre d'un usage domestique normal et si le produit est entretenu conformément aux exigences décrites dans le guide de l'utilisateur, sous réserve des conditions et des exclusions ci-dessous :

Qu'est-ce qui est couvert par cette garantie?

1. L'appareil d'origine et/ou les composants inusables considérés comme défectueux, à la seule discrétion de SharkNinja, seront réparés ou remplacés jusqu'à cinq (5) ans à compter de la date d'achat initiale.
2. Dans le cas d'un remplacement de l'appareil, la garantie prendra fin six (6) mois après la date de réception de l'appareil de remplacement ou pendant le reste de la période de garantie existante, selon la période la plus longue. SharkNinja se réserve le droit de le remplacer par un appareil de valeur égale ou supérieure.

Qu'est-ce qui n'est pas couvert par cette garantie?

1. L'usure normale des pièces (comme les filtres en mousse, les filtres HEPA, les tampons, etc.) qui nécessitent un entretien et/ou un remplacement réguliers afin d'assurer le bon fonctionnement de votre appareil n'est pas couverte par cette garantie. Vous pouvez faire l'achat de pièces de rechange par l'entremise du site sharkaccessories.com.
2. La garantie ne s'applique pas aux appareils utilisés de façon abusive ou à des fins commerciales.
3. Les dommages causés par une mauvaise utilisation (comme aspirer de l'eau ou d'autres liquides), un abus, une négligence lors de la manipulation, un manquement à l'entretien nécessaire (comme ne pas nettoyer les filtres), ou un dommage dû à une mauvaise manipulation pendant le transport.
4. Les dommages indirects et accessoires.
5. Les défectuosités causées par des réparateurs non autorisés par SharkNinja. Ces défectuosités incluent les dommages causés lors du processus d'expédition, de modification ou de réparation du produit SharkNinja (ou de l'une de ses pièces) lorsque la réparation est effectuée par un réparateur non autorisé par SharkNinja.
6. Les produits achetés, utilisés ou mis en fonction à l'extérieur de l'Amérique du Nord.

Comment obtenir du service

Si votre appareil ne fonctionne pas correctement lorsque vous l'utilisez normalement à domicile durant la période de garantie, visitez le sharkclean.com/support pour obtenir de l'information sur les soins et l'entretien du produit que vous pouvez effectuer vous-même. Nos spécialistes du service à la clientèle sont aussi disponibles au **1 800 798-7398** pour de l'assistance sur les produits et les options de garantie de service offertes, y compris la possibilité de passer à nos options de garantie de service VIP pour certaines catégories de produits.

SharkNinja assumera les frais de retour de l'appareil à nos sites par le consommateur en vue de la réparation ou du remplacement de l'appareil. Un montant de 25,95 \$ (sujet à changement) sera facturé lorsque SharkNinja expédiera l'appareil réparé ou remplacé.

Comment présenter une demande de service sous garantie

Vous devez téléphoner au **1 800 798-7398** pour soumettre une réclamation au titre de la garantie. Vous aurez besoin du reçu comme preuve d'achat.

Un spécialiste du service à la clientèle vous fournira les directives d'emballage et de retour.

De quelle manière les lois d'État s'appliquent-elles?

Cette garantie vous accorde des droits spécifiques légaux et vous pouvez aussi bénéficier d'autres droits qui varient d'une province ou d'un État à l'autre. Comme certains États américains ou certaines provinces canadiennes n'acceptent pas l'exclusion ou la limitation de dommages accessoires ou indirects, cette disposition peut ne pas s'appliquer à votre cas.

ENREGISTREZ VOTRE ACHAT :



registryourshark.com



Numérisez le code QR avec votre appareil mobile



CONSIGNEZ CES RENSEIGNEMENTS

Numéro de modèle : _____

Code de date : _____

Date d'achat : _____
(Conservez la facture)

Magasin où l'appareil a été acheté : _____

CARACTÉRISTIQUES TECHNIQUES

Tension électrique : 120 V~, 60 Hz

Puissance : 680 W

Les avantages d'enregistrer votre produit et de créer un compte :

- Obtenez un support produit plus facile et plus rapide, et accédez aux informations de garantie
- Accédez aux instructions de dépannage et de maintenance produit
- Soyez parmi les premiers à connaître les promotions de produits exclusives

CONSEIL : Le numéro de modèle est indiqué sur la plaque signalétique à l'arrière de l'appareil.

CONSEIL : Le code de la date est indiqué sur l'une des broches du cordon d'alimentation.

PLEASE READ CAREFULLY AND KEEP FOR FUTURE REFERENCE.

This Owner's Guide is designed to help you get a complete understanding of your new Shark® Vertex™ UltraLight Corded Stick Vacuum with DuoClean™ PowerFins™ and Self-Cleaning Brushroll.

SharkNinja Operating LLC
US: Needham, MA 02494
CAN: Ville St-Laurent, QC H4S 1A7
sharkclean.com

Illustrations may differ from actual product. We are constantly striving to improve our products; therefore the specifications contained herein are subject to change without notice.

For SharkNinja U.S. Patent information, visit sharkninja.com/uspatents

VEUILLEZ LIRE ATTENTIVEMENT LE PRÉSENT MODE D'EMPLOI ET LE CONSERVER À TITRE INFORMATIF.

Ce guide de l'utilisateur a été conçu pour vous aider à acquérir une compréhension approfondie de votre nouvel aspirateur-balai ultra léger à fil Shark® Vertex™ avec DuoClean™ PowerFins™ et brosse rotative autonettoyante.

SharkNinja Operating LLC
États-Unis : Needham, MA 02494
Canada : Saint-Laurent (Québec) H4S 1A7
1 800 798-7398
sharkclean.com

Les illustrations peuvent différer du produit réel. Nous tentons constamment d'améliorer nos produits; par conséquent, les caractéristiques indiquées dans le présent guide peuvent être modifiées sans préavis.

Pour obtenir de l'information au sujet des brevets de SharkNinja aux États-Unis, consultez le site suivant : www.sharkninja.com/uspatents.

© 2021 SharkNinja Operating LLC. SHARK is a registered trademark of SharkNinja Operating LLC. DUOCLEAN, POWERFINS and VERTEX are trademarks of SharkNinja Operating LLC.

© 2021 SharkNinja Operating LLC. SHARK est une marque déposée de SharkNinja Operating LLC. DUOCLEAN, POWERFINS et VERTEX sont des marques commerciales de SharkNinja Operating LLC.