

Please be sure to read the enclosed Shark® Owner's Guide prior to using your unit.

# Shark VERTEX™

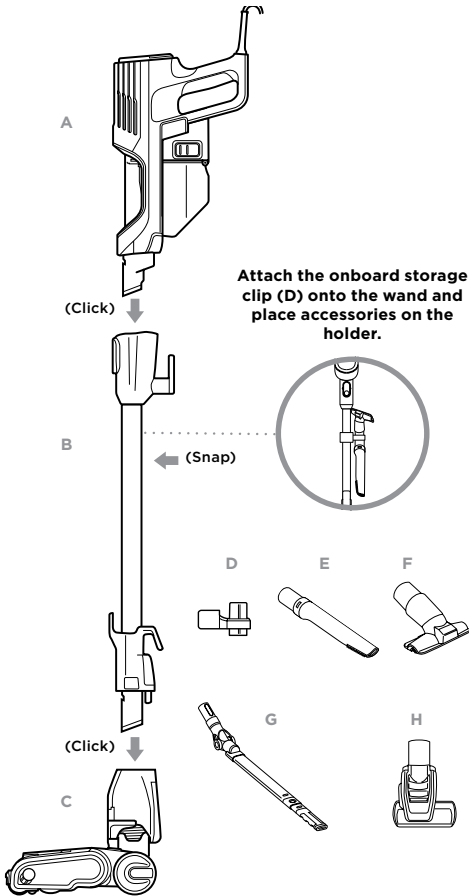
## UltraLight Corded Stick Vacuum with DuoClean® PowerFins™ and Self-Cleaning Brushroll

### QUICK START GUIDE

#### WHAT'S INSIDE

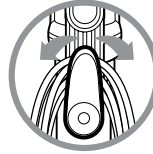
- A Handheld Vacuum
- B Wand
- C Floor Nozzle
- D Onboard Storage Clip
- E Pet Crevice Tool
- F Upholstery Tool
- G MultiFLEX® Under-Appliance Wand
- H Self-Cleaning Pet Power Brush

#### ASSEMBLY

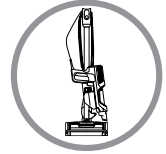


**NOTE: For proper operation, ensure all parts are firmly CLICKED into place.**

#### TIPS



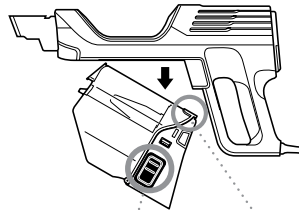
When storing, wrap cord around cord hooks. For quick cord access, rotate upper hook down and remove cord.



For compact storage, hang the handheld vacuum from the storage hook on the wand.

#### EMPTYING THE DUST CUP

Empty the dust cup after each use.



**MAINTENANCE:**  
Rinse pre-motor filters once a month and post-motor filter once every 9 months. Rinse with cold water only. Allow filters to air-dry completely before reinstalling.

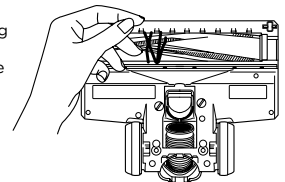
See enclosed Owner's Guide for more information on how to clean and replace the filters.

#### FLOOR NOZZLE MAINTENANCE

##### Brushroll access

The PowerFins self-cleaning brushroll automatically removes hair wrap. If some hair wrap remains after continued use, carefully clear it away from the brushroll.

Check the debris intake and clear away any dirt or blockages.



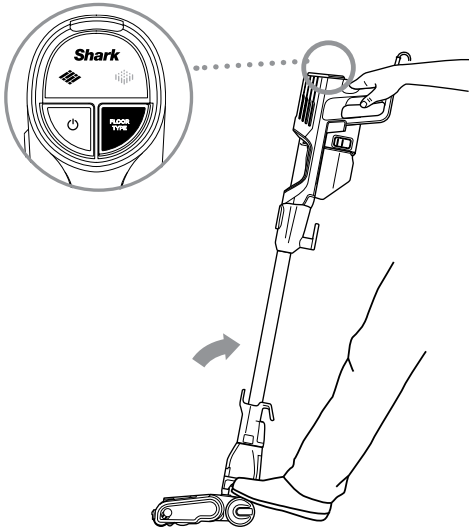
##### Soft Roller

Slide the button on the floor nozzle to eject the Soft Roller. Tap off debris and wipe the roller clean with a dry towel.

# VERSATILE FLOOR-TO-CEILING CLEANING

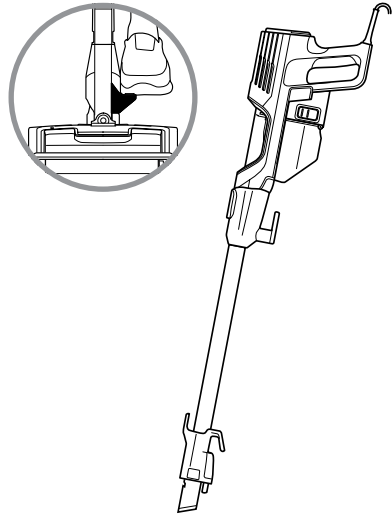
## FLOOR MODE

To clean floors, step on floor nozzle and tilt handheld vacuum back. Press the power button to turn the vacuum on and press the Floor Type button to toggle between bare floor and carpet setting.



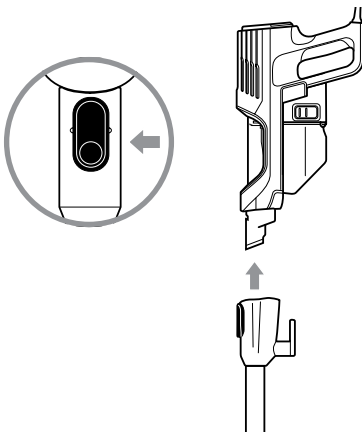
## ABOVE-FLOOR WITH WAND

For more reach, detach the wand and add an accessory. Step on the wand release pedal and lift the handle to remove the wand.



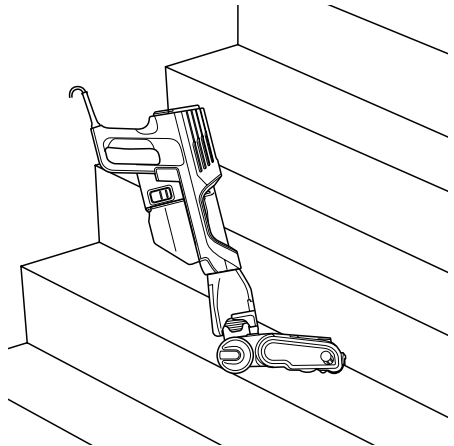
## ABOVE-FLOOR HANDHELD

Press the release button to detach the handheld vacuum from the wand for precision cleaning. The tapered tip is great for cleaning furniture and countertops.



## STAIR CLEANING

To clean stairs or other narrow spaces, attach the handheld vacuum to the floor nozzle.



For additional parts and accessories, visit [sharkaccessories.com](http://sharkaccessories.com)

For questions or to register your product, visit us online at [sharkclean.com](http://sharkclean.com)



@sharkcleaning