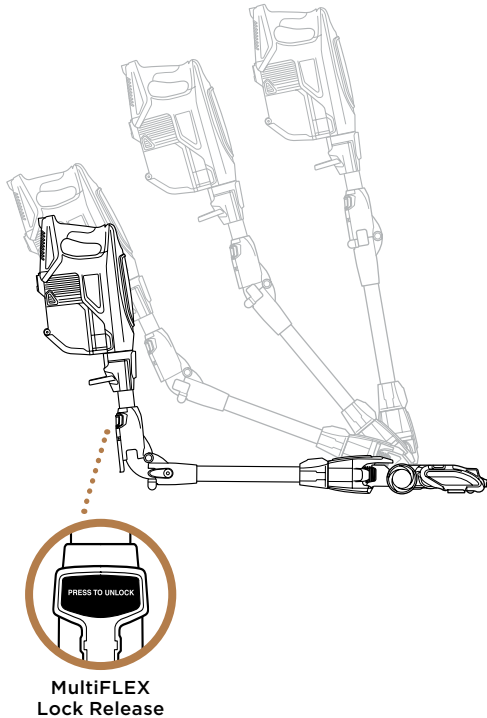


MULTIFLEX™ REACH

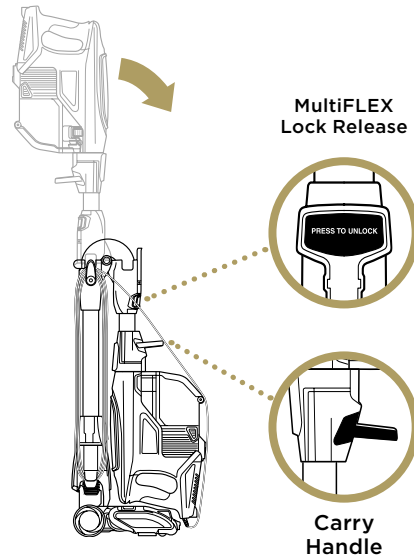
Easily access hard-to-reach areas under furniture. Press the MultiFLEX Lock Release button to lower the angle of the wand to increase your reach.



MULTIFLEX STORAGE

Looking at the vacuum from the side with the cord hooks, wrap the power cord counterclockwise around the hooks, starting under the bottom hook. Then press the MultiFLEX Wand Lock Release button and gently fold the handheld vacuum forward toward the floor nozzle. Use the handle to carry the vacuum to its storage location.

To take the vacuum out of storage mode, unwind the cord, then press the MultiFLEX Lock Release button while lifting up the handheld vacuum. The wand will lock in place.



Please make sure to read the enclosed Shark® Owner's Guide prior to using your unit.

duo clean™

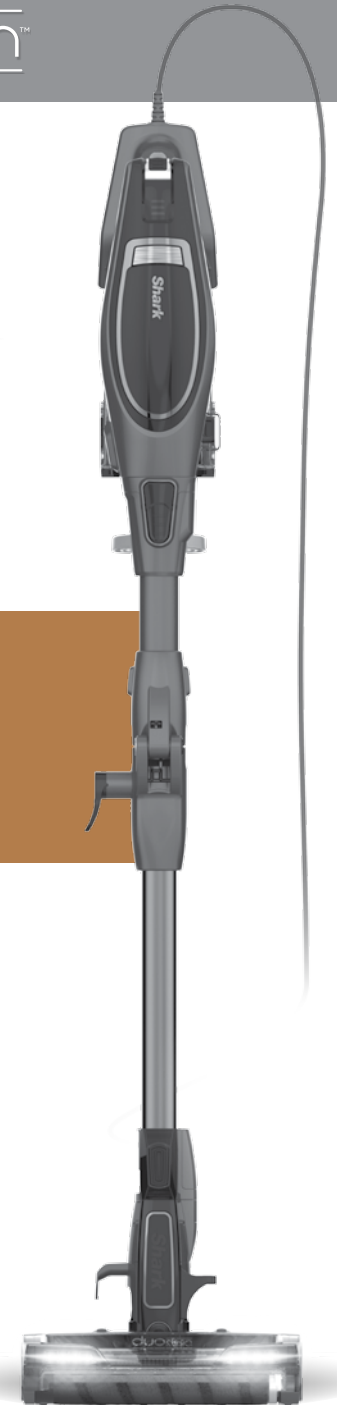
Shark FLEX™

CORDED ULTRA-LIGHT

QUICK START GUIDE

Use this Quick Start Guide to start using your new vacuum's great features.

Register your vacuum at registryourshark.com



Shark

For questions or to register your product, contact us at 800-798-7398 or visit us online at sharkclean.com



@sharkcleaning

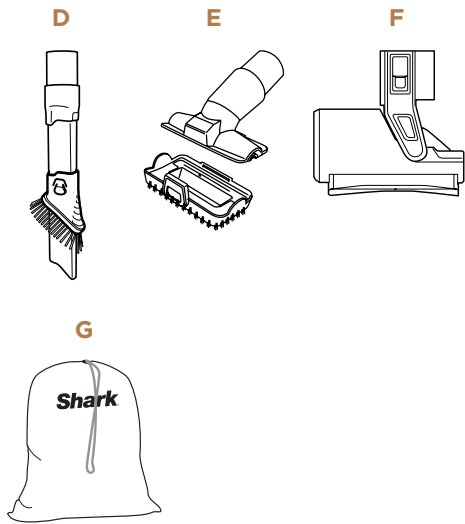
HV392_170720

©2017 SharkNinja Operating LLC. SHARK is a registered trademark of SharkNinja Operating LLC. DUOCLEAN, MULTIFLEX, and SHARKFLEX are trademarks of SharkNinja Operating LLC.

HV392

WHAT'S INSIDE:

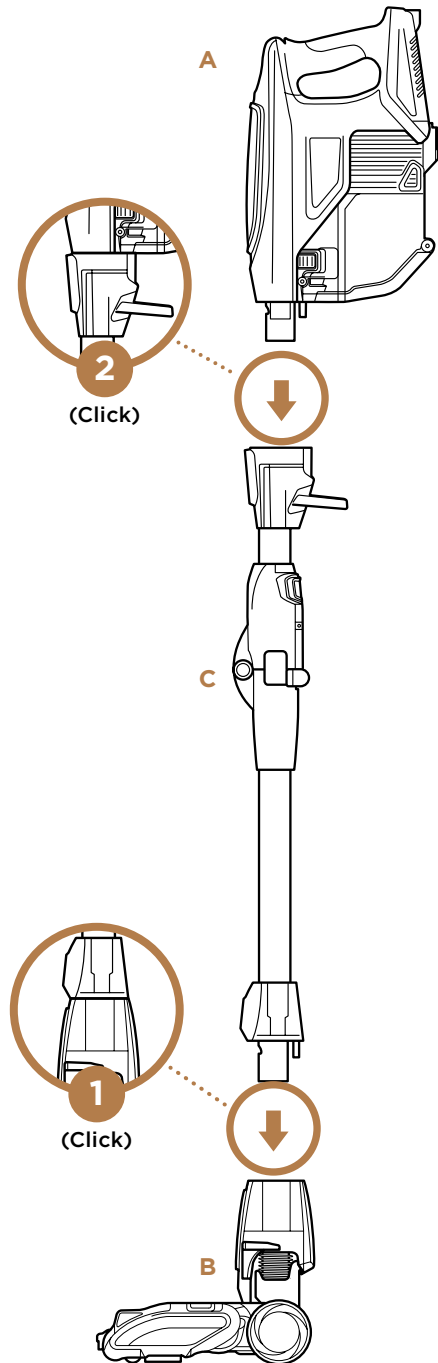
- A Handheld Vacuum
- B Motorized Floor Nozzle
- C MultiFlex™ Wand
- D Duster Crevice Tool
- E Pet Multi-Tool
- F Deep-Cleaning Motorized Pet Tool
- G Accessory Bag



For complete maintenance instructions, see the enclosed **Owner's Guide**.

For additional parts and accessories, visit sharkaccessories.com

ASSEMBLY

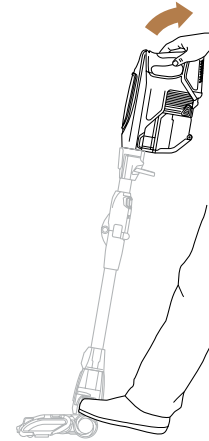


VERSATILE FLOOR-TO-CEILING CLEANING

FLOOR CLEANING

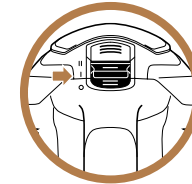
Plug in the Vacuum

Place your foot gently on the floor nozzle and tilt the handle back.

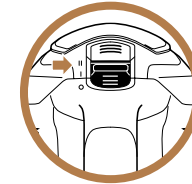


Choose Setting

Slide the power switch to appropriate speed setting (I or II) and start cleaning.

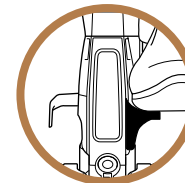


Setting I
Gentle on bare floors and delicate area rugs.



Setting II
Deep cleans carpets by removing embedded dirt.

ABOVE-FLOOR CLEANING



Floor Nozzle Release

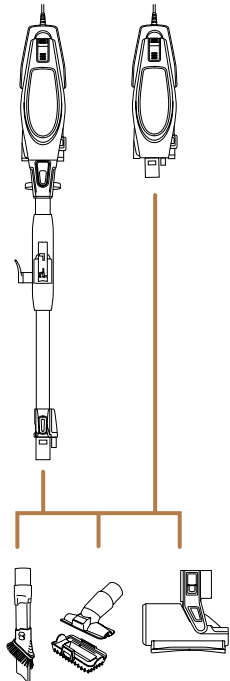
To disconnect the wand from the floor nozzle, stand the vacuum upright, step on the foot pedal, and pull the wand up.

OR



Wand Release

To detach the wand from the handheld vacuum, press the Wand Release button on the top of the wand.



NOTE: For best performance, use Setting I for all above-floor accessories.

Attach desired cleaning accessory to wand or handheld vacuum.