

***Shark* VACMOP™**

**Cordless Hard Floor System
Système de nettoyage sans fil
pour planchers à surface dure**

VM200C Series \ Série VM200C

**OWNER'S GUIDE
GUIDE DE L'UTILISATEUR**



IMPORTANT SAFETY INSTRUCTIONS

PLEASE READ ALL INSTRUCTIONS BEFORE USING THIS PRODUCT.

If the charging cord plug does not fit fully into the outlet, reverse the plug. If it still does not fit, contact a qualified electrician. DO NOT force into outlet or try to modify to fit.

⚠ WARNING

To reduce the risk of fire, electric shock, injury, or property damage:

When using an electrical appliance, basic precautions should always be followed, including the following:

THIS PRODUCT CONTAINS ELECTRICAL CONNECTIONS:

1. Use only as described in this manual. **DO NOT** use the VACMOP™ for any purpose other than those described in this manual.
2. These components contain electrical connections, electrical wiring, and moving parts that potentially present risk to the user.
3. Before each use, carefully inspect all parts for any damage. If a part is damaged, discontinue use.
4. Use only identical replacement parts.
5. This VACMOP contains no serviceable parts.
6. **DO NOT** immerse or spray water on the body of the VACMOP. To clean the surface, wipe with a dry cloth.
7. Keep the appliance and its charging cord out of reach of children. **DO NOT** allow the appliance to be used by children. Do not allow to be used as a toy. Close supervision is necessary when used near children.

GENERAL USE

8. This appliance can be used by persons with reduced physical, sensory or mental capabilities or lack of experience and knowledge if they have been given supervision or instruction concerning use of the appliance in a safe way and understand the hazards involved. Cleaning and user maintenance shall not be made by children. Always turn off the VACMOP before connecting or disconnecting any current carrying hoses, chargers, batteries, or other electrical or mechanical parts.
9. **DO NOT** handle plug or VACMOP with wet hands.
10. **DO NOT** use without VACMOP disposable pad attached.
11. Only use Shark® branded VACMOP disposable pads.
12. **DO NOT** put any objects into VACMOP base. **DO NOT** use with any opening blocked; keep free of dust, lint, hair, and anything that may reduce airflow.
13. **DO NOT** use if VACMOP base airflow is restricted. If the air paths or the VACMOP base become blocked, turn the VACMOP off. Remove all obstructions before you turn on the unit again.
14. Keep all VACMOP base openings away from hair, face, fingers, uncovered feet, or loose clothing.
15. **DO NOT** use if VACMOP is not working as it should, or has been dropped, damaged, left outdoors, or dropped into water.
16. Use extra care when cleaning on stairs.
17. **DO NOT** place VACMOP on unstable surfaces such as chairs or tables.

18. DO NOT use to pick up:

- a) Large quantities of dust (including drywall, fireplace ash, or embers).
- b) Smoking or burning objects (hot coals, cigarette butts, or matches)
- c) Flammable or combustible materials (lighter fluid, gasoline, or kerosene)
- d) Toxic materials (chlorine bleach, ammonia, or drain cleaner)

19. DO NOT use in the following areas:

- a) Poorly lit areas
- b) Outdoor areas
- c) Spaces that are enclosed and may contain explosive or toxic fumes or vapors (lighter fluid, gasoline, kerosene, paint, paint thinners, mothproofing substances, or flammable dust)

20. Release all operational triggers on the VACMOP before plugging in or unplugging the charger.

21. Release all operational triggers on the VACMOP before any adjustment, cleaning, maintenance or troubleshooting.

22. DO NOT modify or attempt to repair the VACMOP or the battery yourself, except as indicated in this manual. DO NOT use the battery or VACMOP if it has been modified or damaged. Damaged or modified batteries may exhibit unpredictable behavior resulting in fire, explosion or risk of injury.

23. Always release all operational triggers on this appliance before attaching or detaching a VACMOP disposable pad.

BATTERY

24. The battery is the power source for the VACMOP. Carefully read and follow all charging instructions.

25. To prevent unintentional starting, DO NOT carry the appliance with your finger on the trigger or spray button.

26. Use only Shark® standard replacement charger. Use of an incorrect charger may result in no charging, and/or unsafe conditions. A charger that is suitable for one type of battery may create a risk of fire when used with another battery.

27. Keep the battery away from all metal objects such as paper clips, coins, keys, nails, or screws. Shorting the battery terminals increases the risk of fire or burns.

28. Under abusive conditions, liquid may be ejected from the battery. Avoid contact with this liquid, as it may cause irritation or burns. If contact occurs, flush with water. If liquid contacts eyes, seek medical help.

29. Battery should not be stored at temperatures below 37.4°F (3°C) or above 104°F (40°C) to maintain long-term battery life.

30. DO NOT charge battery at temperatures below 40°F (5°C) or above 104°F (40°C). Charging improperly or at temperatures outside of the specified range may damage the battery and increase the risk of fire.

31. Store the appliance indoors. DO NOT use or store it below 37.4°F (3°C). Ensure the appliance is at room temperature before operating.

32. DO NOT expose the battery to fire or temperatures above 265°F (130°C) as it may cause explosion.

33. Not for wet pickup.

34. Use only Shark brand cleaning fluids.

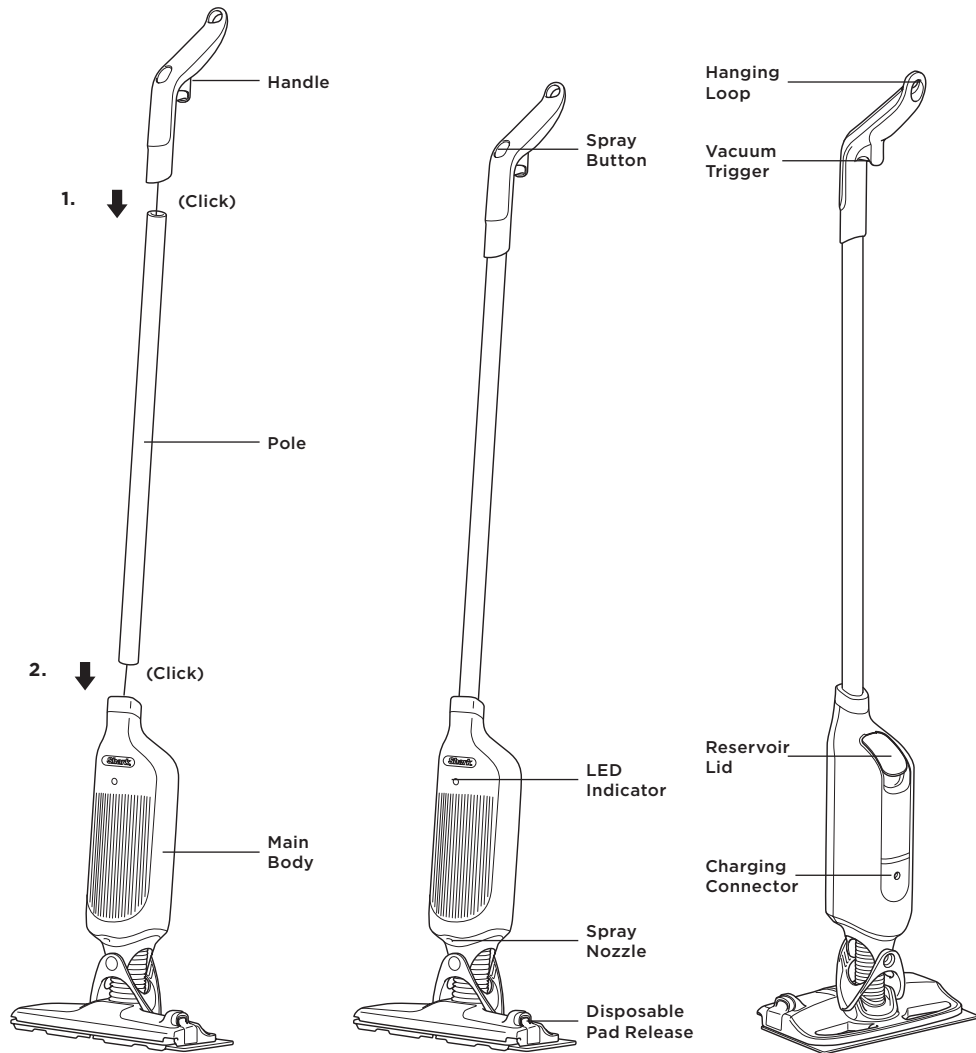
SAVE THESE INSTRUCTIONS

ASSEMBLY

Your VACMOP™ unit comes partially assembled with a cord connecting the parts. All versions assemble the same way. This appliance is for Household use only.

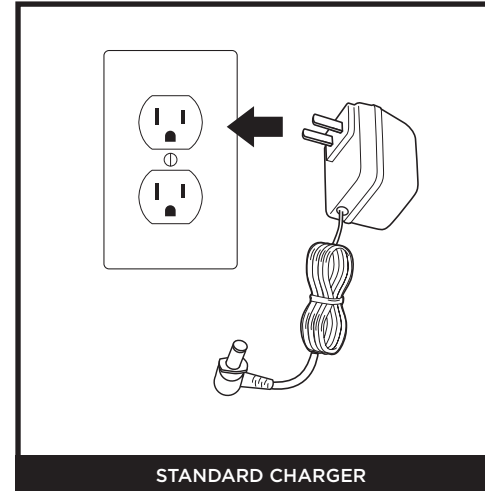
1. Align and insert the **Handle** into the top of the **Pole**. You will feel it click in place.
2. Align and insert the pole into the **Main Body**. You will feel it click in place.

For proper operation, ensure all components are completely connected and clicked into place.

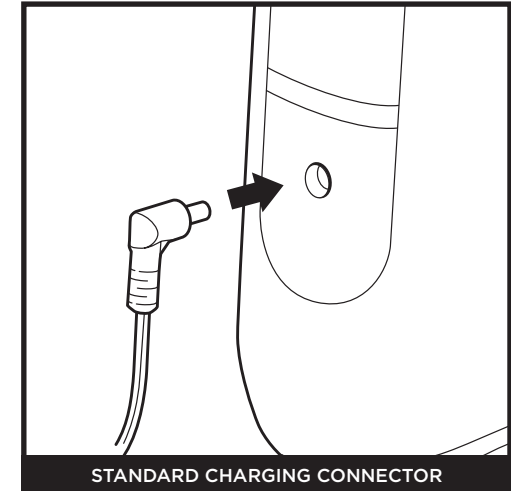


NOTE: The model and serial numbers can be found on the QR code label on the back on the main body.

CHARGING THE LI-ION BATTERY

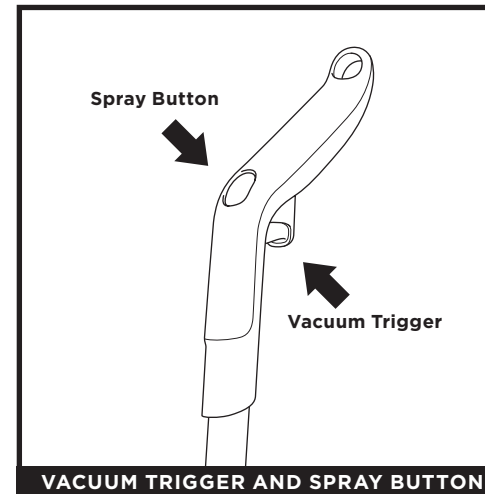


Plug charger into an electrical outlet.



Plug the charger into the port on the back of the main body.

CONTROLS



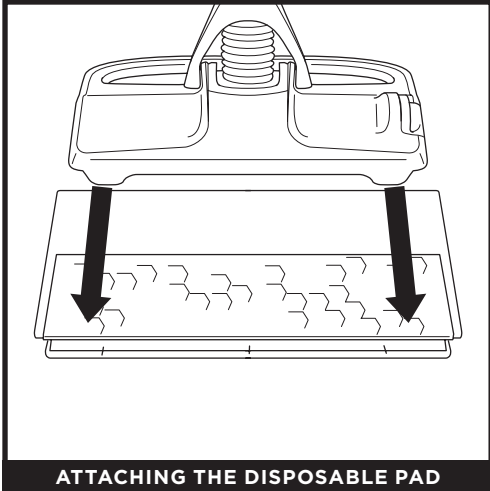
Spray Button

Press and hold the spray button on top of the handle to dispense cleaning solution through the spray nozzle.

Vacuum Trigger

To vacuum, pull the trigger and hold it in.

ATTACHING AND REMOVING THE DISPOSABLE PADS

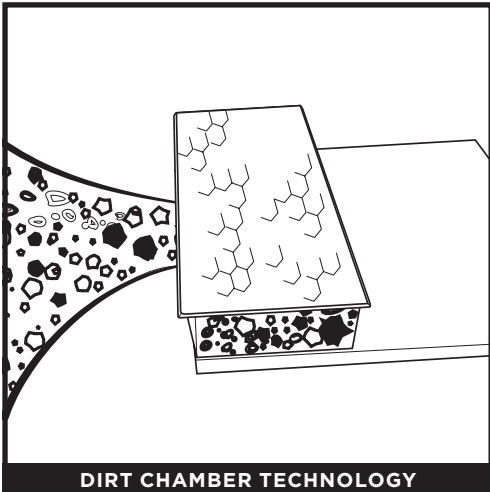


Place the VACMOP™ Disposable Pad on the floor with the dust chamber up. Line up the front edge of the VACMOP into the plastic bumper on the pad. Holding the handle, press the VACMOP base down until the pad clicks into place.

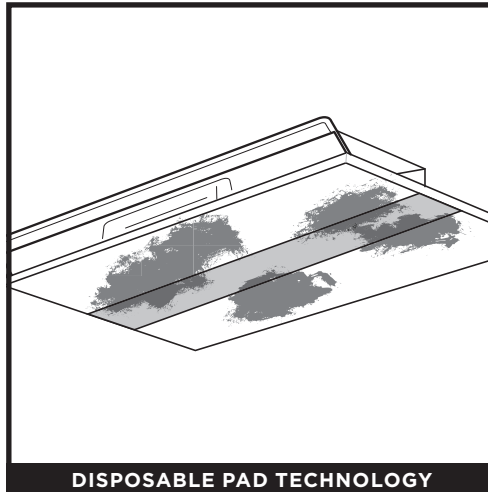


To detach the disposable pad, press the release button on the side of the VACMOP base. Dispose of dirty pads by releasing them directly into the trash.

DISPOSABLE PAD FUNCTIONALITY



The dirt chamber collects and locks away dirt and debris when you vacuum.



The disposable pad's fibers absorb messes as you mop.

NOTE: DO NOT vacuum up liquid or vacuum while spraying cleaner—this will cause reduced suction or no suction. Clean liquids and wet messes **ONLY** by mopping.

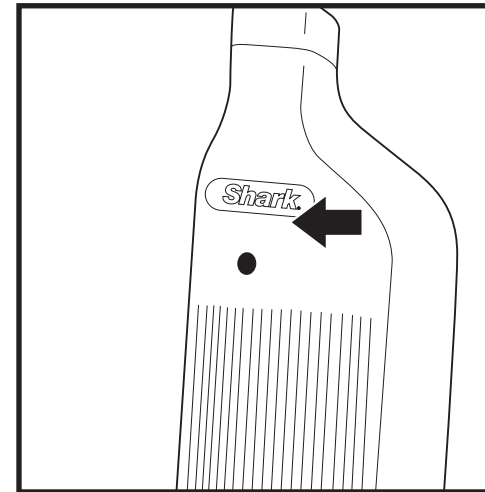
LI-ION BATTERY

Prior to first use, charge completely. A full charge takes approximately 3.5 hours.

BATTERY RUNTIME

The Shark VACMOP is designed to handle anything from quick pickups to whole cleaning sessions—just charge it between uses. If it's used for one-off everyday messes or for more mopping than vacuuming, it will last longer on one charge. If you're continuously vacuuming, a full charge will last up to 13 minutes.

LED BATTERY POWER AND CHARGING INDICATOR



Indicator LED

IN USE:

Normal Operation - Solid white

Low Battery - Blinking white

Very Low Battery - Blinking red

Out of battery - Rapid blinking red

CHARGING:

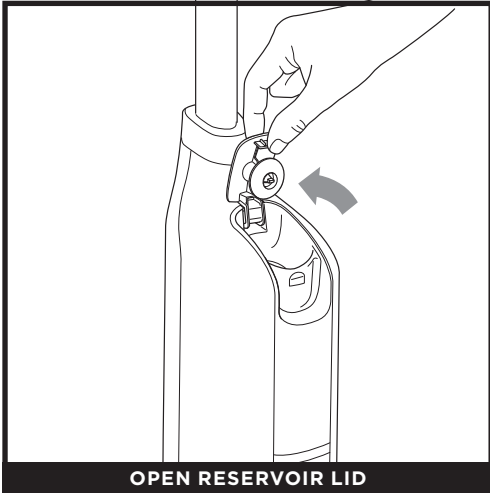
Battery Charging - Pulsing white

Full Charge - Solid white
(will turn off after 5 minutes)

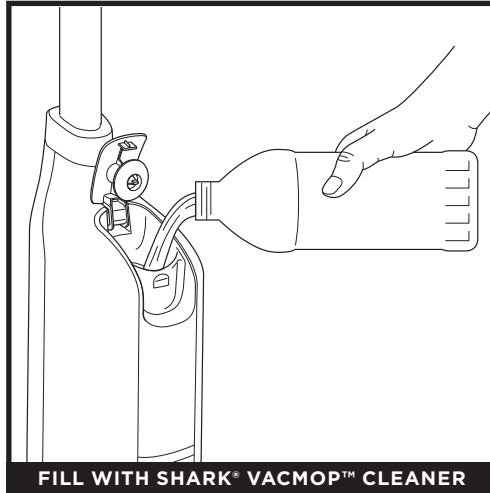
RECYCLING THE LI-ION BATTERY

When the Shark® Li-Ion battery needs to be replaced, dispose of it or recycle it in accordance with local ordinances or regulations. In some areas, it is illegal to place spent lithium-ion batteries in the trash or in a municipal solid waste stream. Return spent batteries to an authorized recycling center or to the retailer for recycling. Contact your local recycling center for information on where to drop off the spent battery.

FILLING THE RESERVOIR



OPEN RESERVOIR LID

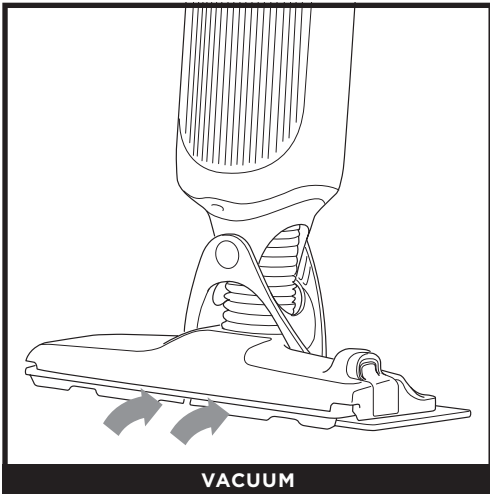


FILL WITH SHARK® VACMOP™ CLEANER

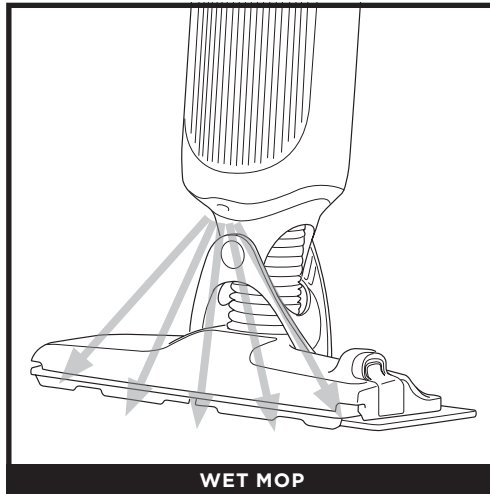
Lift the reservoir lid and press it up until it clicks into the open locked position. Carefully pour Shark VACMOP Cleaner into the reservoir, up to the **MAX** line. When finished, press the lid closed.

NOTE: Before using your unit for the first time, carefully add the entire starter bottle of Shark VACMOP Cleaner into the reservoir.

CLEANING MODES



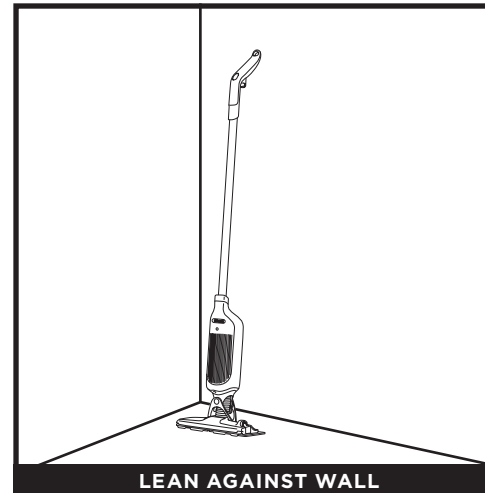
VACUUM



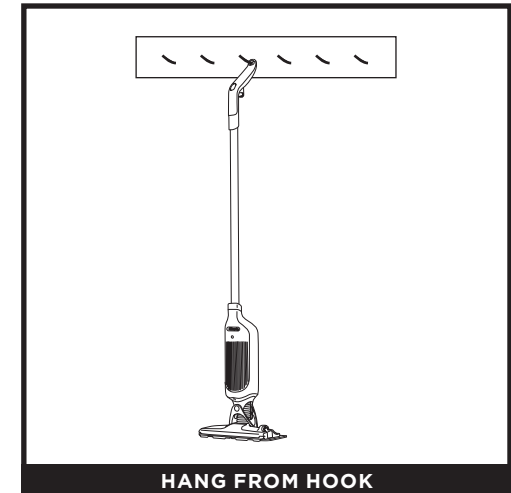
WET MOP

For best results, first use the vacuum to remove dry debris, then spray the Shark VACMOP Cleaner to wet mop.

STORAGE



LEAN AGAINST WALL



HANG FROM HOOK

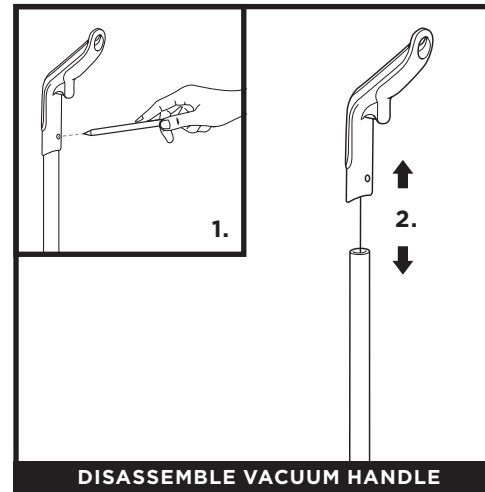
After wet cleaning, remove the pad from the VACMOP™ base before storing the unit.

To store the unit, stand it upright and lean the back of the non-slip handle against a wall.

To hang the unit from a nail or wall hook (not included) align the opening at the end of the handle over the hook or nail.

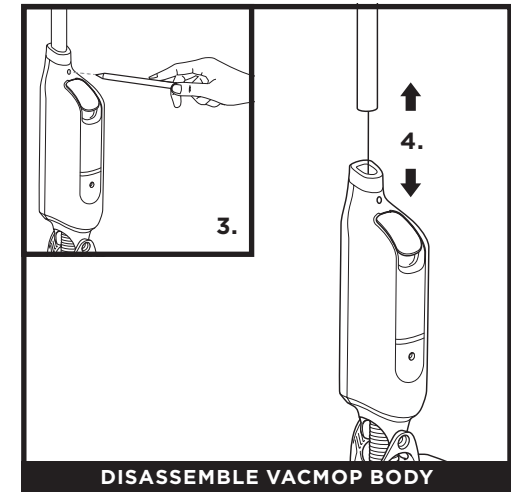
DISASSEMBLY

NOTE: Once the unit is assembled, do not take it apart, unless for repacking or shipping.



DISASSEMBLE VACUUM HANDLE

1. Press in the snap clip with a small tool (screwdriver, pen, etc.)
2. While pressing down on the top snap clip, pull the handle out of the pole.



DISASSEMBLE VACMOP BODY

3. Next, press in the snap clip on the VACMOP body with a small tool.
4. While pressing down on the bottom snap clip, pull the pole out of the VACMOP body.

MAINTAINING YOUR VACUUM

TROUBLESHOOTING

VACMOP™ is not picking up debris. No suction or light suction.

- The dirt chamber filter on the disposable pad may be saturated. Try using a new pad.
Note: DO NOT vacuum up liquid or wet debris—this will cause reduced suction or no suction. Remove liquids and wet messes **ONLY** by mopping.
- VACMOP Disposable Pad may not be securely attached. Reattach the pad.
- VACMOP Disposable Pad may be full of debris and need to be replaced.
- Battery charge may be low. Recharge the battery completely.

The unit turns off on its own. Sprayer is not spraying.

- Make sure there is enough cleaning solution in the reservoir. Battery charge may be low. Recharge the battery completely.

Streaks appear on floor after wet mopping.

- Shark® VACMOP Cleaner has been specially formulated to provide a residue-free, streak-free finish when used with the Shark VACMOP. Using other cleaning solutions may result in streaking and residue. If you find residue or streaking on your floors while using our cleaner, it may be due to one of the following:
- Your floor might not be fully dry yet. If you see streaks or suds while cleaning, just wait 5-10 minutes, and you should see them evaporate, leaving an even finish on your floors.
- Your floors might have built-up grime and dirt. The first few times you use your VACMOP, it will remove stuck-on dirt and debris that have built up over time. After a few cleaning sessions, the streaking and residue will subside.
- You may be using too much solution. If you continue to see streaking, reduce the amount of cleaning solution you use. Too much solution can cause stickiness and residue if not properly cleaned off of your floor.
- The disposable pad might need to be replaced. If you are cleaning multiple times with the same pad, you may be reintroducing dirt onto the floors. Replace your pad, and consider starting each mopping session with a fresh pad to alleviate the issue.

The unit makes scraping sounds when mopping.

- Debris may be stuck on the face of the pad. Detach the pad and remove any embedded debris.
- The pad face may be rubbing against a rough or grainy surface. This will not damage your floors.
- If your floor is uneven, the dirt chamber on the pad could be brushing against a raised section of the floor. This will not damage your floors.
- Scrubbing forcefully can bring the dirt chamber in contact with the floor. This will not damage your floors.
- Moving the handle when spraying could cause the front of the VACMOP base to drag. This will not damage your floors.

FREQUENTLY ASKED QUESTIONS

When should I replace my VACMOP Disposable Pad?

- Replace the disposable pad when it becomes fully saturated, its dirt chamber is full, it is noticeably dirty, or if the VACMOP is showing signs of reduced suction power.

Where can I use my VACMOP?

- VACMOP can safely be used on all sealed hard floors—stone, hardwood, vinyl, laminate, tile, marble, and linoleum.

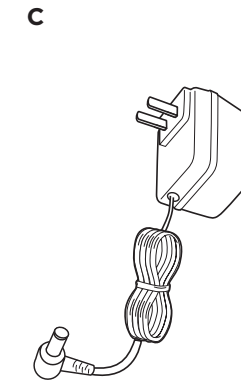
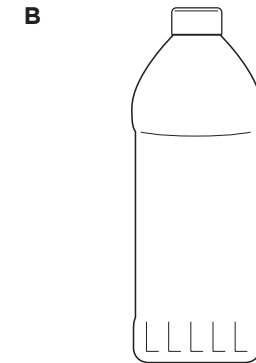
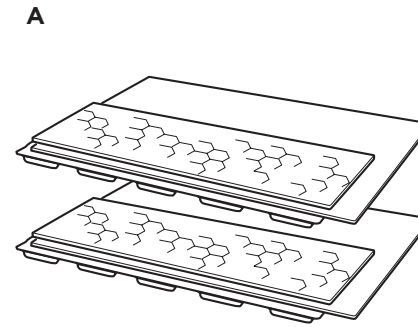
Can I vacuum and mop with the same disposable pad?

- VACMOP Disposable Pads can be used for both mopping and vacuuming. The dirt chamber collects and locks away dirt and debris when you vacuum, while the pad's fibers absorb messes as you mop. Dust and debris collected on the pad when vacuuming will be absorbed when mopping.

ADDITIONAL ACCESSORIES AVAILABLE ON SHARKCLEAN.COM/VACMOP

WHAT'S INCLUDED

- A** Shark® VACMOP™ Disposable Pads
- B** Shark VACMOP Cleaner
- C** Standard Replacement Charger



NOTE: Not all accessories come with all units. For a list of the accessories included with this model, see the top inside flap of the box. To order additional accessories, visit sharkaccessories.com.

ONE (1) YEAR LIMITED WARRANTY

The One (1) Year Limited Warranty applies to purchases made from authorized retailers of **SharkNinja Operating LLC**. Warranty coverage applies to the original owner and to the original product only and is not transferable.

SharkNinja warrants that the unit shall be free from defects in material and workmanship for a period of one (1) year from the date of purchase when it is used under normal household conditions and maintained according to the requirements outlined in the Owner's Guide, subject to the following conditions and exclusions:

What is covered by this warranty?

1. The original unit and/or non-wearable parts deemed defective, in SharkNinja's sole discretion, will be repaired or replaced up to one (1) year from the original purchase date.
2. In the event a replacement unit is issued, the warranty coverage ends six (6) months following the receipt date of the replacement unit or the remainder of the existing warranty, whichever is later. SharkNinja reserves the right to replace the unit with one of equal or greater value.

What is not covered by this warranty?

1. Normal wear and tear of wearable parts (such as Shark Cleaner, Pad, etc.), which require regular maintenance and/or replacement to ensure the proper functioning of your unit, are not covered by this warranty. Replacement parts are available for purchase at sharkaccessories.com.
2. Any unit that has been tampered with or used for commercial purposes.
3. Damage caused by misuse (e.g., vacuuming up water or other liquids), abuse, negligent handling, failure to perform required maintenance, or damage due to mishandling in transit.
4. Consequential and incidental damages.
5. Defects caused by repair persons not authorized by SharkNinja. These defects include damages caused in the process of shipping, altering, or repairing the SharkNinja product (or any of its parts) when the repair is performed by a repair person not authorized by SharkNinja.
6. Products purchased, used, or operated outside North America.

How to get service

If your appliance fails to operate properly while in use under normal household conditions within the warranty period, visit sharkclean.com/support for product care and maintenance self-help. Our Customer Service Specialists are also available at **1-800-798-7398** to assist with product support and warranty service options, including the possibility of upgrading to our VIP warranty service options for select product categories. So we may better assist you, please register your product online at registeryourshark.com and have the product on hand when you call.

SharkNinja will cover the cost for the customer to send in the unit to us for repair or replacement. A fee of \$24.95 (subject to change) will be charged when SharkNinja ships the repaired or replacement unit.

How to initiate a warranty claim

You must call **1-800-798-7398** to initiate a warranty claim. You will need the receipt as proof of purchase. We also ask that you register your product online at registeryourshark.com and have the product on hand when you call, so we may better assist you. A Customer Service Specialist will provide you with return and packing instruction information.

How state law applies

This warranty gives you specific legal rights, and you also may have other rights that vary from state to state. Some states do not permit the exclusion or limitation of incidental or consequential damages, so the above may not apply to you.

ONE (1) YEAR LIMITED BATTERY WARRANTY

The One (1) Year Limited Warranty applies to purchases made from authorized retailers of **SharkNinja Operating LLC**. Warranty coverage applies to the original owner and to the original product only and is not transferable.

SharkNinja warrants that the unit shall be free from defects in material and workmanship for a period of one (1) year from the date of purchase when it is used under normal household conditions and maintained according to the requirements outlined in the Owner's Guide, subject to the following conditions and exclusions:

What is covered by this warranty?

1. The original battery deemed defective, in SharkNinja's sole discretion, will be replaced up to one (1) year from the original purchase date.
2. In the event a replacement battery is issued, the warranty coverage ends six (6) months following the receipt date of the replacement battery or the remainder of the existing warranty, whichever is later. SharkNinja reserves the right to replace the unit with one of equal or greater value.

What is not covered by this warranty?

1. Normal wear and tear of the battery, which requires optimal temperature storage and operation to ensure its proper functioning.
2. A battery that has been tampered with or used for commercial purposes.
3. Damage caused by misuse (e.g., exposing battery to liquids or extreme hot and/or cold temperatures), abuse, negligent handling, failure to perform required maintenance, or damage due to mishandling in transit.
4. Consequential and incidental damages.
5. Defects caused by repair persons not authorized by SharkNinja. These defects include damages caused in the process of shipping, altering, or repairing the SharkNinja product (or any of its parts) when the repair is performed by a repair person not authorized by SharkNinja.
6. Products purchased, used, or operated outside North America.

How to get service

If your battery fails to operate properly while in use under normal household conditions within the warranty period, visit sharkclean.com/support for product care and maintenance self-help. Our Customer Service Specialists are also available at **1-800-798-7398** to assist with product support and warranty service options. So we may better assist you, please register your product online at registeryourshark.com and have the product on hand when you call.

SharkNinja will cover the cost for the customer to send in the unit to us for replacement. A fee of \$19.95 (subject to change) will be charged when SharkNinja ships the replacement unit.

How to initiate a warranty claim

You must call **1-800-798-7398** to initiate a warranty claim. You will need the receipt as proof of purchase. We also ask that you register your product online at registeryourshark.com and have the product on hand when you call, so we may better assist you. A Customer Service Specialist will provide you with return and packing instruction information when you call. A Customer Service Specialist will provide you with return and packing instruction information.

How state law applies

This warranty gives you specific legal rights, and you also may have other rights that vary from state to state. Some states do not permit the exclusion or limitation of incidental or consequential damages, so the above may not apply to you.

CONSIGNES DE SÉCURITÉ IMPORTANTES

VEUILLEZ LIRE TOUTES LES INSTRUCTIONS AVANT D'UTILISER CE PRODUIT.

Si la fiche d'alimentation du chargeur ne s'insère pas à fond dans la prise de courant, inversez le sens de la fiche.

Si elle ne s'insère toujours pas, communiquez avec un électricien qualifié. **NE FORCEZ PAS** pour insérer la fiche dans la prise et ne tentez pas de la modifier.

⚠ AVERTISSEMENT

Afin de réduire les risques d'incendie, de décharges électriques, de blessure ou de dommage matériel :

Lors de l'utilisation d'un appareil électrique, des précautions de base doivent toujours être suivies, y compris les suivantes :

CE PRODUIT CONTIENT DES RACCORDEMENTS ÉLECTRIQUES :

1. Utilisez cet appareil uniquement aux fins décrites dans ce manuel. **N'UTILISEZ PAS** le VACMOP™ pour un usage autre que ceux décrits dans le présent manuel.
2. Ces composantes comportent des raccordements électriques, du filage électrique et des pièces amovibles pouvant exposer l'utilisateur à certains risques.
3. Avant chaque utilisation, inspectez soigneusement toutes les pièces afin de déceler tout dommage. Si une pièce est endommagée, cessez son utilisation.
4. Utilisez uniquement des pièces de rechange identiques.
5. Ce VACMOP ne renferme aucune pièce qui peut être réparée.
6. **NE SUBMERGEZ PAS** et ne pulvérisez pas d'eau sur le corps du VACMOP. Pour nettoyer la surface, essuyez avec un chiffon sec.
7. Gardez l'appareil et son câble de chargement hors de la portée des enfants. **NE LAISSEZ PAS** les enfants se servir de l'appareil. Ne permettez pas de l'utiliser comme un jouet. Une surveillance étroite est nécessaire lorsque l'appareil est utilisé en présence d'enfants.

EMPLOI GÉNÉRAL

8. Cet appareil peut être utilisé par des personnes dont les capacités physiques, sensorielles ou mentales sont réduites ou qui manquent d'expérience et de connaissances seulement si elles ont été supervisées ou instruites par rapport à l'utilisation sécuritaire de l'appareil et si elles comprennent les dangers possibles. Les enfants ne peuvent pas nettoyer ni entretenir l'appareil. Éteignez toujours le VACMOP avant de brancher ou de débrancher un tuyau porteur de courant, un chargeur, une batterie ou toute autre pièce mécanique ou électrique.
9. **NE MANIPULEZ PAS** la fiche ou le VACMOP avec les mains mouillées.
10. **NE L'UTILISEZ PAS** sans y avoir attaché un coussin nettoyant jetable VACMOP.
11. Utilisez seulement les coussin nettoyants jetables VACMOP de marque Shark®.
12. **N'INSÉREZ PAS** d'objets dans la base du VACMOP. **N'UTILISEZ PAS** l'appareil si une ouverture est obstruée. Veillez à ce que les ouvertures ne soient jamais bloquées par de la poussière, de la peluche, des cheveux ou tout autre élément qui pourrait gêner la circulation de l'air.
13. **N'UTILISEZ PAS** le VACMOP si le débit d'air est réduit. Si les conduits d'air ou la base du VACMOP sont bloqués, éteignez le VACMOP. Retirez toute obstruction avant de remettre l'appareil en marche de nouveau.
14. Tenez tous les orifices de la base du VACMOP éloignés des cheveux, du visage, des doigts, des pieds déchaussés ou des vêtements amples.
15. **N'UTILISEZ PAS** le VACMOP s'il ne fonctionne pas comme prévu, ou s'il a été échappé sur le sol, endommagé, laissé à l'extérieur ou immergé dans l'eau.
16. Soyez extrêmement prudent lorsque vous nettoyez les escaliers.
17. **NE PLACEZ PAS** le VACMOP sur des surfaces instables comme des chaises ou des tables.
18. **N'UTILISEZ PAS** l'appareil pour aspirer :
 - a) De grandes quantités de poussière (comme de la poussière de cloison sèche, des cendres ou des braises de foyer).
 - b) Des objets fumants ou brûlants (charbons ardents, mégots de cigarettes ou allumettes)
 - c) Des matériaux inflammables ou combustibles (essence à briquet, essence ou kérosène)
 - d) Des matières toxiques (eau de Javel, ammoniac ou produit débouchant)
19. **N'UTILISEZ PAS** l'appareil dans les endroits suivants :
 - a) Des endroits faiblement éclairés
 - b) À l'extérieur
 - c) Dans des endroits fermés pouvant contenir des matières explosives ou des fumées ou vapeurs toxiques (essence à briquet, essence, kérosène, peinture, diluants à peinture, produits de traitement antimite ou poussières inflammables)
20. Dégagez toutes les gâchettes de fonctionnement sur le VACMOP avant de brancher ou de débrancher le chargeur.
21. Dégagez toutes les gâchettes de fonctionnement sur le VACMOP avant le réglage, le nettoyage, l'entretien ou la réparation de l'appareil.
22. **NE MODIFIEZ PAS NI NE TENTEZ** de réparer le VACMOP ou la batterie vous-même, à moins d'indication contraire dans ce manuel. **N'UTILISEZ PAS** la batterie ou le VACMOP s'ils ont été modifiés ou endommagés. Les batteries endommagées ou modifiées peuvent présenter un comportement imprévisible, ce qui entraîne un risque d'incendie, d'explosion ou de blessure.
23. Dégagez toujours toutes les gâchettes de fonctionnement sur cet appareil avant d'attacher ou de détacher un coussin nettoyant jetable VACMOP.

BATTERIE

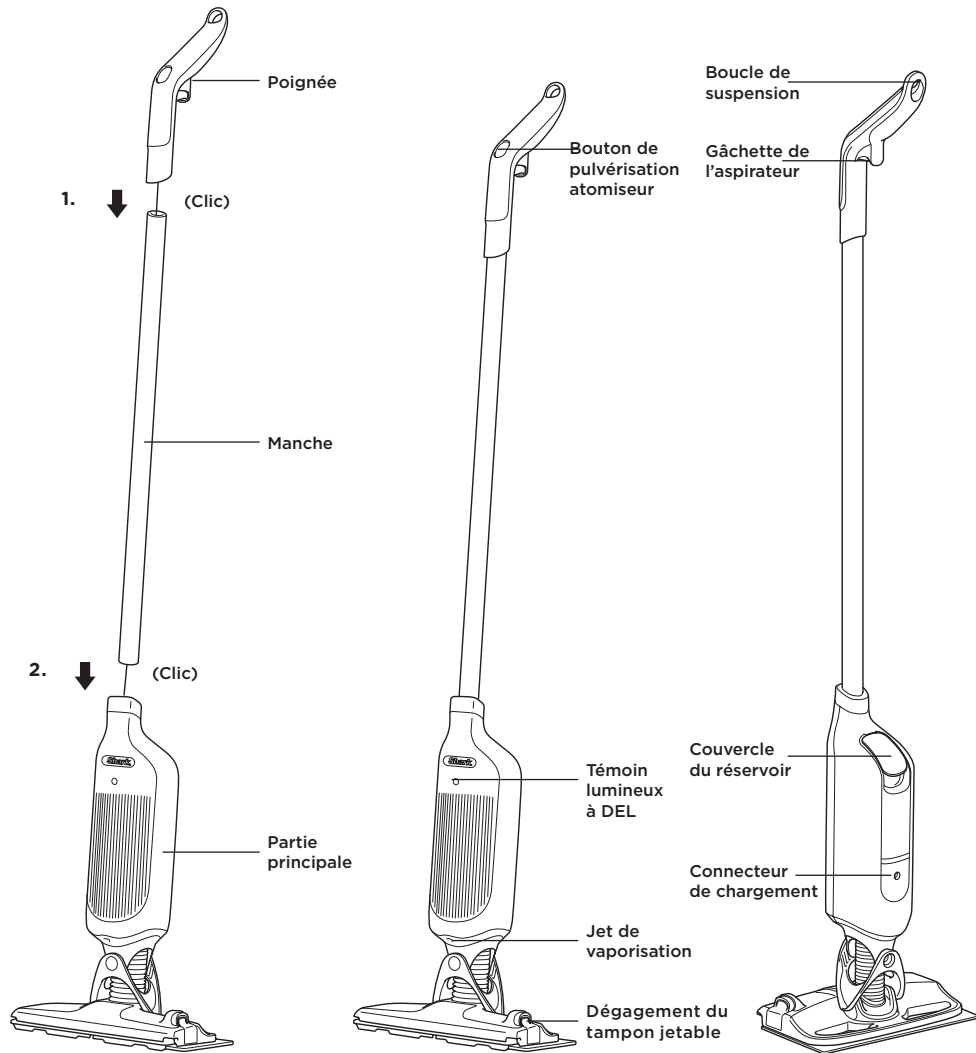
24. La batterie est la source d'alimentation du VACMOP. Lisez attentivement et respectez les instructions de chargement.
25. Afin d'éviter qu'il ne se mette en marche par erreur, **NE TRANSPORTEZ PAS** l'appareil avec votre doigt sur la gâchette ou le bouton de pulvérisation atomiseur.
26. Utilisez uniquement un chargeur de rechange standard Shark®. L'utilisation d'un chargeur inapproprié pourrait avoir pour résultat que l'aspirateur ne se charge pas et/ou entraîner des conditions dangereuses. Un chargeur adapté à un type de batterie peut créer un risque d'incendie lorsqu'il est utilisé avec un autre type de batterie.
27. Gardez la batterie à l'écart des objets métalliques comme des trombones, de la monnaie, des clés, des clous ou des vis. Court-circuiter les bornes de la batterie augmente le risque de brûlures ou d'incendie.
28. Dans des conditions abusives, la batterie pourrait émettre du liquide. Évitez le contact avec ce liquide, car il pourrait causer des irritations ou des brûlures. En cas de contact, rincez à l'eau. Si le liquide entre en contact avec les yeux, obtenez de l'aide médicale.
29. Afin de maximiser sa durée de vie, la batterie ne devrait pas être conservée à des températures inférieures à 3 °C (37,4 °F) ou supérieures à 40 °C (104 °F).
30. **NE CHARGEZ PAS** la batterie à des températures inférieures à 5 °C (40 °F) ou supérieures à 40 °C (104 °F). Le chargement incorrect ou à des températures hors de la plage indiquée peut endommager l'appareil et augmenter le risque d'incendie.
31. Entrez l'appareil à l'intérieur. **N'UTILISEZ PAS** et ne rangez pas l'appareil à des températures inférieures à 3 °C (37,4 °F). Assurez-vous que l'appareil est à température ambiante avant de l'utiliser.
32. **N'EXPOSEZ PAS** la batterie au feu ou à une température supérieure à 130 °C (265 °F), car cela peut provoquer une explosion.
33. Non conçu pour le ramassage de dégâts mouillés.
34. Utilisez uniquement des fluides nettoyants de la marque Shark.

CONSERVEZ CES INSTRUCTIONS

ASSEMBLAGE

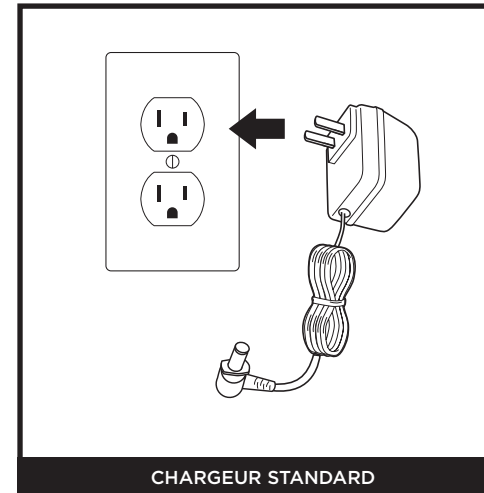
Votre appareil VACMOP™ est livré partiellement assemblé avec un fil qui relie les pièces. Toutes les versions sont assemblées de la même façon. Cet appareil convient à un usage domestique seulement.

1. Alignez et insérez la **poignée** dans la partie supérieure du **manche**. Vous sentirez un déclic lorsqu'elle s'enclenchera.
 2. Alignez et insérez le manche dans la **partie principale**. Vous sentirez un déclic lorsqu'elle s'enclenchera.
- Pour un fonctionnement correct, assurez-vous que tous les composants sont complètement raccordés et correctement enclenchés.

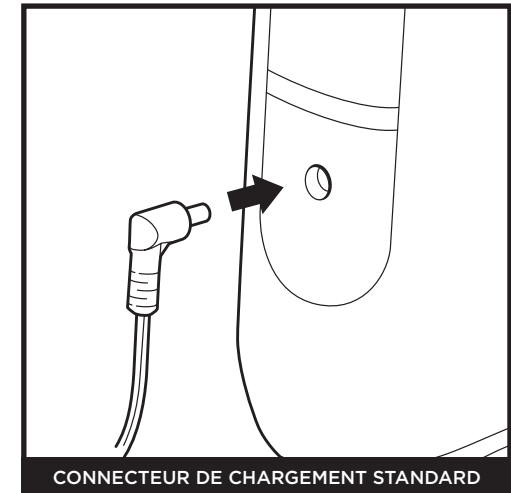


REMARQUE : Les numéros de modèle et de série se trouvent sur l'étiquette de code QR au dos de la partie principale.

CHARGER LA BATTERIE AU LITHIUM-ION

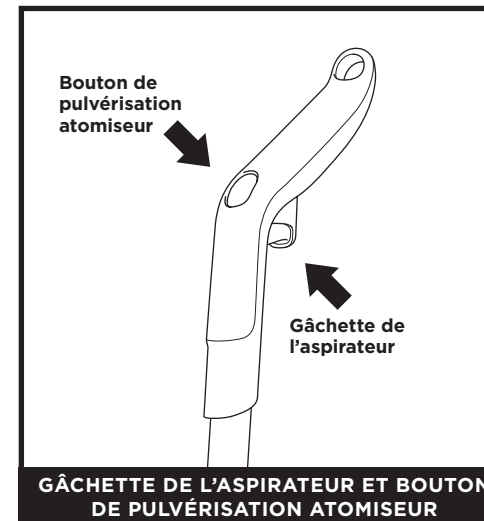


Branchez le chargeur dans une prise électrique.



Branchez le chargeur dans le port qui se trouve à l'arrière de la partie principale.

COMMANDES



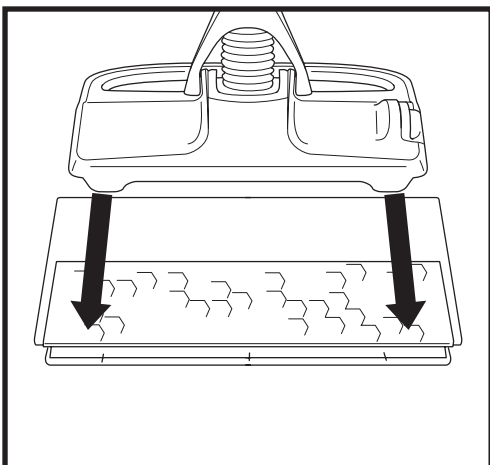
Bouton de pulvérisation atomiseur

Appuyez et maintenez le bouton de pulvérisation atomiseur sur le dessus de la poignée pour distribuer la solution nettoyante par le jet de vaporisation.

Gâchette de l'aspirateur

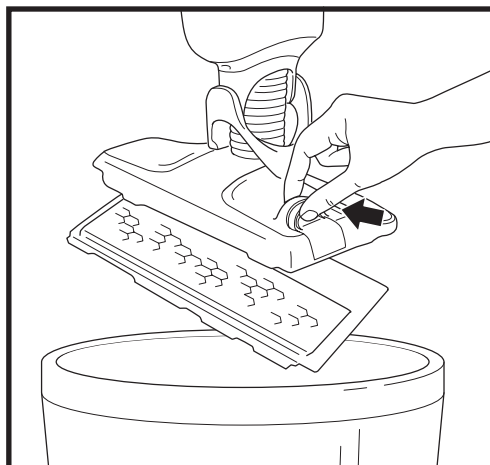
Pour aspirer, appuyez sur la gâchette et maintenez-la enfoncée.

FIXATION ET RETRAIT DES TAMPONS JETABLES



FIXATION DU TAMPON JETABLE

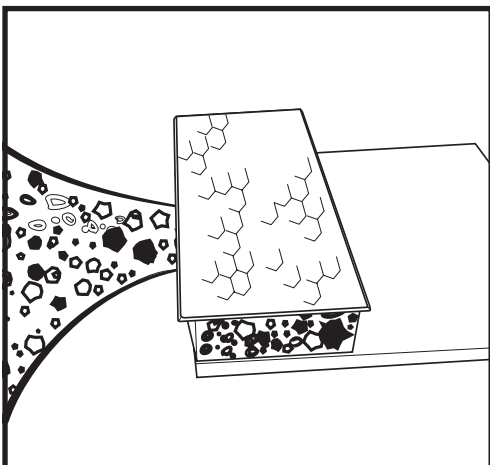
Placez le tampon jetable VACMOP™ sur le plancher avec le récipient à poussière vers le haut. Alignez l'extrémité avant du VACMOP dans le pare-chocs de plastique sur le tampon. En tenant la poignée, poussez la base du VACMOP vers le bas jusqu'à ce que vous entendiez un déclic vous indiquant que le tampon est bien en place.



RETRAIT DU TAMPON JETABLE

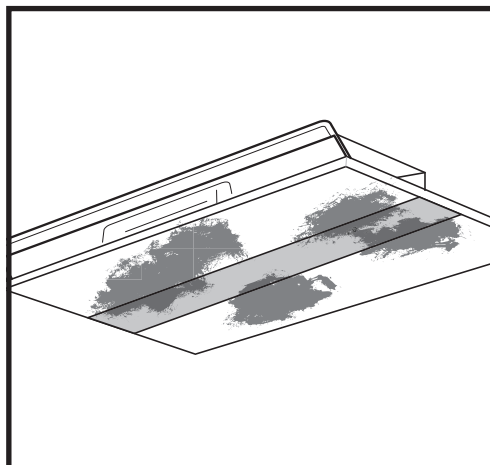
Pour détacher le tampon jetable, appuyez sur le bouton de dégagement sur le côté de la base du VACMOP. Jetez les tampons sales en les relâchant directement dans la poubelle.

FONCTIONNALITÉ DU TAMPON JETABLE



TECHNOLOGIE DE CHAMBRE À POUSSIÈRE

La chambre à poussière recueille et retient la saleté et les débris lorsque vous passez l'aspirateur.



TECHNOLOGIE PAD JETABLE

Les fibres du tampon jetable absorbent les dégâts lorsque vous nettoyez.

REMARQUE: NE PAS aspirer de liquide ou aspirer pendant la pulvérisation de l'aspirateur - cela entraînera une aspiration réduite ou aucune aspiration.
Nettoyez les liquides et les dégâts humides **UNIQUEMENT** en les lavant.

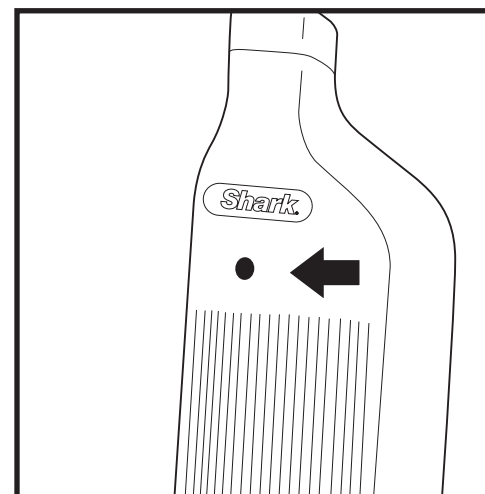
BATTERIE AU LITHIUM-ION

Avant la première utilisation, chargez-la entièrement. Il faut compter environ 3 heures et demie pour que la charge soit complète.

AUTONOMIE DE LA BATTERIE

L'aspirateur Shark VACMOP est conçu pour tous les types de nettoyage, des ramassages rapides aux travaux de nettoyage complet, il suffit de le charger entre les utilisations. S'il est utilisé pour les dégâts quotidiens occasionnels ou surtout en mode vadrouille qu'en mode aspirateur, il durera plus longtemps sur une seule charge. Si vous passez l'aspirateur en continu, une charge complète durera jusqu'à 13 minutes.

TÉMOIN DE CHARGE ET DE L'ALIMENTATION DE LA BATTERIE À DEL



Témoin lumineux à DEL

EN COURS D'UTILISATION :

Fonctionnement normal - blanc fixe

Batterie faible - blanc clignotant

Batterie très faible - rouge clignotant

Batterie à plat - rouge clignotant rapide

EN CHARGE :

Batterie en charge - impulsion de blanc

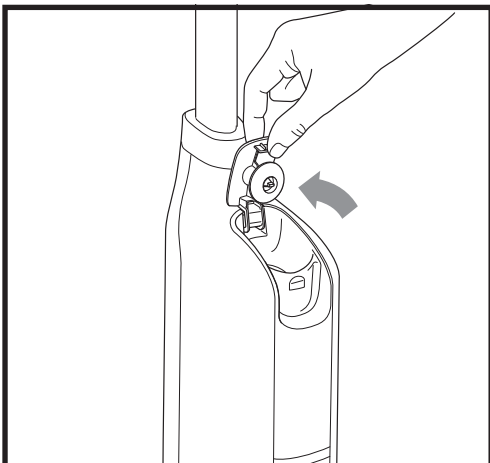
Charge complète - vert fixe
(s'éteindra après 5 minutes)

RECYCLAGE DE LA BATTERIE AU LITHIUM-ION

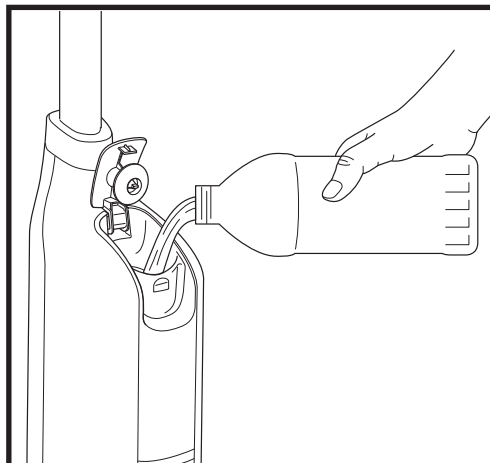
Lorsque la batterie au lithium-ion Shark® doit être remplacée, jetez-la ou recyclez-la conformément aux ordonnances ou aux règlements locaux. Dans certaines régions, il est illégal de déposer des batteries au lithium-ion usées au rebut ou dans un flux de déchets solides municipaux. Envoyez les batteries usées dans un centre de recyclage autorisé ou au détaillant aux fins de recyclage. Communiquez avec votre centre de recyclage local pour savoir où déposer la batterie usée.

REMARQUE : Comme pour toutes les batteries au lithium-ion, la capacité de la batterie au lithium-ion Shark diminuera avec le temps et l'usure.

REEMPLIR LE RÉSERVOIR



OUVREZ LE COUVERCLE DU RÉSERVOIR

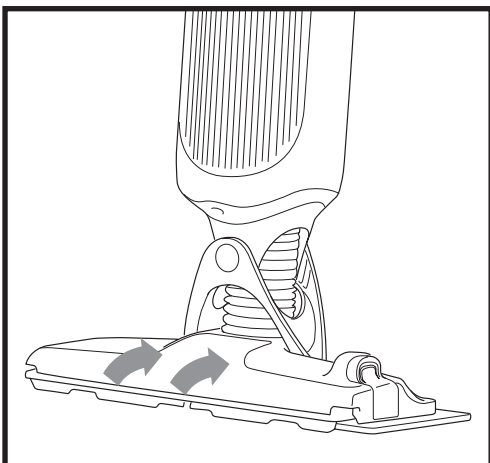


REPLISSEZ-LE DE NETTOYANT SHARK® VACMOP™

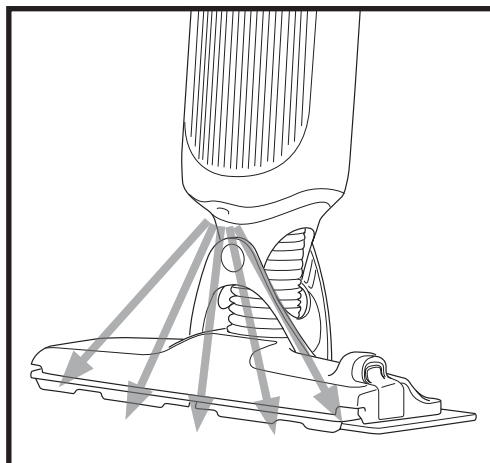
Soulevez le couvercle du réservoir et poussez-le vers le haut jusqu'à ce qu'il s'enclenche en position verrouillée ouverte. Versez soigneusement le nettoyant Shark VACMOP dans le réservoir, jusqu'à la ligne MAX. Lorsque vous avez terminé, appuyez sur le couvercle pour le fermer.

REMARQUE : Avant d'utiliser votre appareil pour la première fois, versez soigneusement toute la bouteille de nettoyant Shark VACMOP dans le réservoir.

MODES DE NETTOYAGE



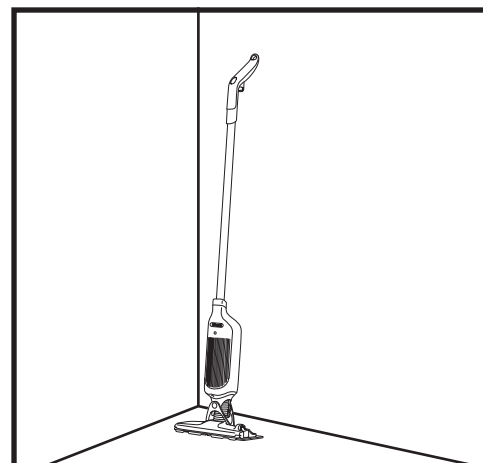
ASPIRATEUR



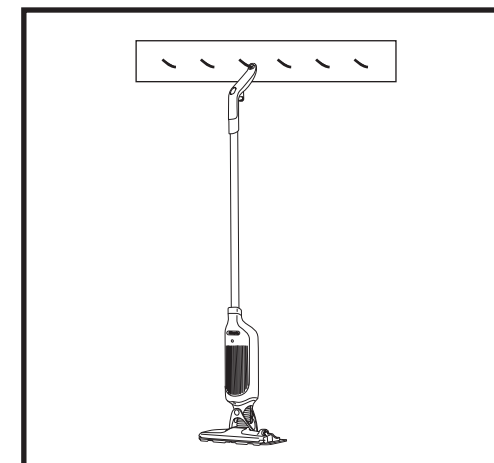
VADROUILLE MOUILLÉE

Pour obtenir de meilleurs résultats, utilisez d'abord l'aspirateur pour retirer les débris, vaporisez ensuite le nettoyant Shark VACMOP sur la vadrouille mouillée.

RANGEMENT



APPUYEZ-LE SUR UN MUR

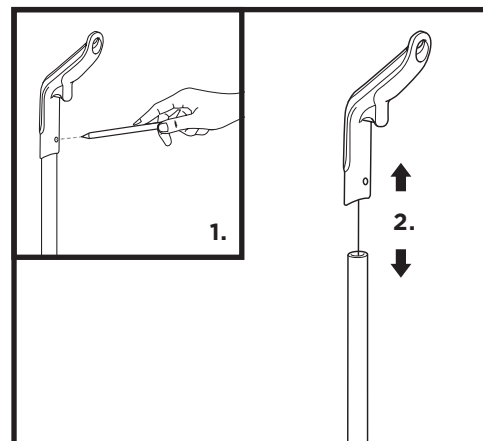


SUSPENDEZ-LE À UN CROCHET

Après le nettoyage mouillé, retirez le coussin nettoyant de la base du VACMOP™ avant de ranger l'appareil. Pour ranger l'appareil, placez-le à la verticale et appuyez l'arrière de la poignée antidérapante contre un mur. Pour accrocher l'appareil sur un clou ou un crochet mural (non inclus), alignez l'ouverture à l'extrémité de la poignée sur le crochet ou le clou.

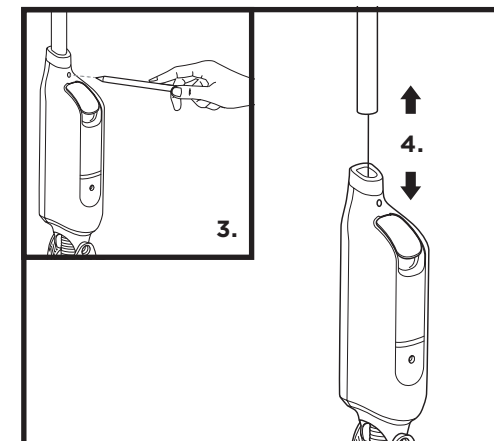
DÉMONTAGE

REMARQUE : Une fois l'appareil assemblé, ne le démontez pas, sauf pour le réemballer ou l'expédier.



DÉMONTER LA POIGNÉE DE L'ASPIRATEUR

1. Appuyez sur le clip à pression à l'aide d'un petit outil (tournevis, stylo, etc.).
2. Tout en appuyant sur le clip à pression supérieur, tirez la poignée hors du manche.



DÉMONTER LE CORPS DU VACMOP

3. Ensuite, appuyez sur le clip à pression de la partie principale du VACMOP avec un petit outil.
4. Tout en appuyant sur le clip à pression inférieure, tirez la poignée hors du manche du VACMOP.

DÉPANNAGE

VACMOP™ ne ramasse pas la poussière. Aucune aspiration ou aspiration faible.

- Le filtre du compartiment à saletés sur le tampon jetable peut être saturé. Essayez d'utiliser un nouveau tampon.

Remarque : N'aspirez PAS de liquide ou de débris mouillés, car cela entraînerait une réduction de l'aspiration ou une absence d'aspiration. Nettoyez les liquides et les dégâts humides **SEULEMENT** en passant la vadrouille.

- Le tampon jetable VACMOP n'est peut-être pas bien attaché. Rattachez le tampon.
- Le tampon jetable VACMOP est peut-être rempli de débris et doit être remplacé.
- La batterie peut être faible. Rechargez la batterie complètement.

L'appareil s'éteint par lui-même. Le vaporisateur ne vaporise pas.

- Assurez-vous qu'il y a suffisamment de solution de nettoyage dans le réservoir. La batterie peut être faible. Rechargez la batterie complètement.

Des traces apparaissent sur le plancher après avoir passé la vadrouille mouillée.

- Le nettoyant Shark® VACMOP a été spécialement formulé pour offrir un fini sans résidus et sans traces lorsqu'il est utilisé avec le Shark VACMOP. Utiliser d'autres solutions nettoyantes peut laisser des traces et des résidus. Si vous trouvez des résidus ou des traces sur vos planchers lors de l'utilisation de notre nettoyant, cela peut être dû à l'une des causes suivantes:
- Votre plancher pourrait ne pas être complètement sec. Si vous voyez des traces ou de la mousse pendant le nettoyage, attendez de 5 à 10 minutes et vous devriez les voir s'évaporer, laissant un fini uniforme sur vos planchers.
- Il se peut que vos planchers aient accumulé de la saleté et de la crasse. Les premières fois que vous utiliserez votre VACMOP, il enlèvera la saleté et les débris collés qui se sont accumulés au fil du temps. Après quelques séances de nettoyage, les traces et les résidus disparaîtront.
- Il se peut que vous utilisiez trop de solution nettoyante. Si vous continuez à voir des traces, réduisez la quantité de solution de nettoyage que vous utilisez. Une trop grande quantité de solution peut rendre les planchers collants et entraîner la présence de résidus si elle n'est pas entièrement éliminée.
- Le tampon jetable pourrait devoir être remplacé. Si vous nettoyez plusieurs fois avec le même tampon, vous pourriez réintroduire de la saleté sur les planchers. Remplacez votre tampon et songez à commencer chaque séance de nettoyage avec un nouveau tampon pour atténuer ce problème.

L'appareil émet des bruits de grattage lors du nettoyage à la vadrouille.

- Des débris peuvent rester coincés sur la face extérieure du tampon. Détachez le tampon et retirez tout débris incrusté.
- La face extérieure du tampon peut frotter contre une surface rugueuse ou granuleuse. Cela n'endommagera pas vos planchers.
- Si votre plancher est inégal, le compartiment à saleté du tampon pourrait frotter contre une section surélevée du plancher. Cela n'endommagera pas vos planchers.
- Frotter le plancher avec force peut amener le compartiment à saleté à entrer en contact avec le plancher. Cela n'endommagera pas vos planchers.
- Le fait de déplacer la poignée pendant la pulvérisation pourrait faire glisser l'avant de la base du VACMOP. Cela n'endommagera pas vos planchers.

FOIRE AUX QUESTIONS

Quand devrais-je remplacer le tampon jetable de mon VACMOP?

- Remplacez le tampon jetable lorsqu'il est complètement saturé, que son compartiment à saleté est plein, qu'il est visiblement sale ou si le VACMOP montre des signes de puissance d'aspiration réduite.

Où puis-je utiliser mon VACMOP?

- VACMOP peut être utilisé de manière sécuritaire sur tous les planchers à surface dure scellés : la pierre, le bois franc, le vinyle, les revêtements de sol stratifiés, la céramique, le marbre et le linoléum.

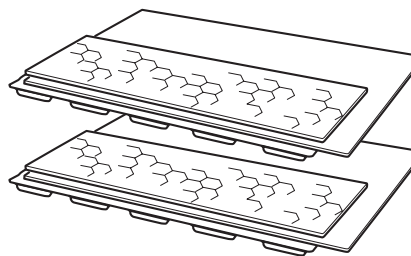
Puis-je passer l'aspirateur et la vadrouille avec le même tampon jetable?

- Les tampons jetables VACMOP peuvent être utilisés à la fois pour passer la vadrouille et l'aspirateur. Le compartiment à saleté recueille et emprisonne la saleté et les débris lorsque vous passez l'aspirateur, tandis que les fibres du tampon absorbent les dégâts pendant que vous passez la vadrouille. La poussière et les débris recueillis sur le tampon lors de l'aspiration seront absorbés en passant la vadrouille.

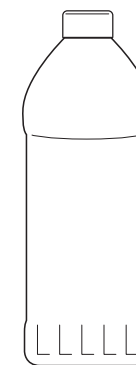
CE QUI EST COMPRIS

- A** Coussin nettoyants jetables VACMOP™
- B** Nettoyant VACMOP
- C** Chargeur de rechange standard

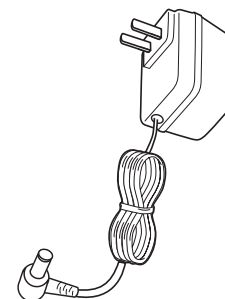
A



B



C



REMARQUE : Tous les accessoires ne sont pas fournis avec tous les appareils. Pour une liste des accessoires inclus avec ce modèle, consultez le rabat intérieur supérieur de la boîte. Pour acheter des accessoires additionnels, consultez le site sharkaccessories.com.

GARANTIE LIMITÉE D'UN (1) AN

La garantie limitée d'un (1) an s'applique aux achats effectués auprès de détaillants autorisés de **SharkNinja Operating LLC**. La garantie s'applique uniquement au premier propriétaire et au produit original et n'est pas transférable.

SharkNinja garantit ce produit contre toute défectuosité de matériau ou de main-d'œuvre pour une période d'un (1) an à compter de la date d'achat, dans le cadre d'un usage domestique normal et si le produit est entretenu conformément aux exigences décrites dans le guide de l'utilisateur, sujet aux conditions, aux exclusions et aux exceptions ci-dessous :

Qu'est-ce qui est couvert par cette garantie?

1. L'appareil d'origine ou les pièces inusables considérés comme défectueux, à la seule discrétion de SharkNinja, seront réparés ou remplacés jusqu'à un (1) an à compter de la date d'achat initiale.
2. Dans le cas d'un remplacement de l'appareil, la garantie prendra fin six (6) mois après la date de réception de l'appareil de remplacement ou pendant le reste de la période de garantie existante, selon la période la plus longue. SharkNinja se réserve le droit de le remplacer par un appareil de valeur égale ou supérieure.

Qu'est-ce qui n'est pas couvert par cette garantie?

1. La présente garantie ne couvre pas l'usure normale des pièces (comme le nettoyant Shark, les coussin nettoyeurs, etc.), qui nécessitent un entretien régulier ou un remplacement périodique afin d'assurer le bon fonctionnement de votre appareil. Vous pouvez faire l'achat de pièces de rechange par l'entremise du site sharkaccessories.com.
2. La garantie ne s'applique pas aux appareils utilisés de façon abusive ou à des fins commerciales.
3. Les dommages causés par une mauvaise utilisation (comme aspirer de l'eau ou d'autres liquides), un abus, une négligence lors de la manipulation, un manquement à l'entretien nécessaire, ou un dommage dû à une mauvaise manipulation pendant le transport.
4. Les dommages indirects et accessoires.
5. Les défaillances causées par des réparateurs non autorisés par SharkNinja. Ces défectuosités incluent les dommages causés lors du processus d'expédition, de modification ou de réparation du produit SharkNinja (ou de l'une de ses pièces) lorsque la réparation est effectuée par un réparateur non autorisé par SharkNinja.
6. Les produits achetés, utilisés ou mis en fonction à l'extérieur de l'Amérique du Nord.

Comment obtenir du service

Si votre appareil ne fonctionne pas comme il le devrait lors d'un usage domestique normal pendant la période de garantie, consultez le site sharkclean.com/support pour obtenir des renseignements au sujet des soins et de l'entretien du produit. Nos spécialistes du service à la clientèle sont aussi disponibles au **1 800 798-7398** pour de l'assistance sur les produits et les options de garantie de service offertes, y compris la possibilité de passer à nos options de garantie de service VIP pour certaines catégories de produits. Afin que nous puissions mieux vous aider, veuillez enregistrer votre produit en ligne au registryourshark.com et ayez le produit à portée de main lorsque vous appelez.

SharkNinja assumera les frais de retour de l'appareil à nos sites par le consommateur en vue de la réparation ou du remplacement de l'appareil. Un montant de 24,95 \$ (sujet à changement) sera facturé lorsque SharkNinja expédiera l'appareil réparé ou remplacé.

Comment présenter une demande de service sous garantie

Vous devez téléphoner au **1 800 798-7398** pour soumettre une réclamation au titre de la garantie. Vous aurez besoin du reçu comme preuve d'achat. Nous vous demandons également d'enregistrer votre produit en ligne au registryourshark.com et d'avoir le produit à portée de main lorsque vous appelez afin que nous puissions mieux vous aider. Un spécialiste du service à la clientèle vous fournira les directives d'emballage et de retour.

Manière dont les lois provinciales ou étatiques s'appliquent

Cette garantie vous accorde des droits spécifiques légaux et vous pouvez aussi bénéficier d'autres droits qui varient d'une province ou d'un État à l'autre. Certains États américains ou certaines provinces canadiennes n'acceptent pas l'exclusion ou la limitation de dommages accessoires ou indirects, ce qui fait que cette disposition peut ne pas s'appliquer à votre cas.

GARANTIE LIMITÉE D'UN (1) AN SUR LA BATTERIE

La garantie limitée d'un (1) an s'applique aux achats effectués auprès de détaillants autorisés de **SharkNinja Operating LLC**. La garantie s'applique uniquement au premier propriétaire et au produit original et n'est pas transférable.

SharkNinja garantit ce produit contre toute défectuosité de matériau ou de main-d'œuvre pour une période d'un (1) an à compter de la date d'achat, dans le cadre d'un usage domestique normal et si le produit est entretenu conformément aux exigences décrites dans le guide de l'utilisateur, sujet aux conditions, aux exclusions et aux exceptions ci-dessous :

Qu'est-ce qui est couvert par cette garantie?

1. La batterie au lithium-ion d'origine considérée comme défectueuse, à la seule discrétion de SharkNinja, sera réparée ou remplacée pour un (1) an à compter de la date d'achat initiale.
2. Dans le cas d'un remplacement de la batterie, la garantie prendra fin six (6) mois après la date de réception de la batterie de remplacement ou pendant le reste de la période de garantie existante, selon la période la plus longue. SharkNinja se réserve le droit de le remplacer par un appareil de valeur égale ou supérieure.

Qu'est-ce qui n'est pas couvert par cette garantie?

1. L'usure normale de la batterie au lithium-ion, qui a besoin d'une température et d'une utilisation optimales afin qu'elle fonctionne correctement.
2. La garantie ne s'applique pas aux batteries utilisées de façon abusive ou à des fins commerciales.
3. Dommages causés par un mésusage (p. ex., l'exposition de la batterie aux liquides ou aux températures extrêmement chaudes et/ou froides), un abus, une manipulation sans précaution en cours d'utilisation, le manquement à l'entretien nécessaire, ou dommages causés par une manipulation inadéquate en cours de transport.
4. Les dommages indirects et accessoires.
5. Les défaillances causées par des réparateurs non autorisés par SharkNinja. Ces défectuosités incluent les dommages causés lors du processus d'expédition, de modification ou de réparation du produit SharkNinja (ou de l'une de ses pièces) lorsque la réparation est effectuée par un réparateur non autorisé par SharkNinja.
6. Les produits achetés, utilisés ou mis en fonction à l'extérieur de l'Amérique du Nord.

Comment obtenir du service

Si votre batterie ne fonctionne pas comme elle le devrait lors d'un usage domestique normal pendant la période de garantie, consultez le site sharkclean.com/support pour obtenir des informations au sujet des soins et de l'entretien du produit. Nos spécialistes du service à la clientèle sont aussi disponibles au **1 800 798-7398** pour de l'assistance sur les produits et les options de garantie de service offertes. Afin que nous puissions mieux vous aider, veuillez enregistrer votre produit en ligne au registryourshark.com et ayez le produit à portée de main lorsque vous appelez.

SharkNinja assumera les frais de retour de la batterie vers nos sites par le consommateur en vue de sa réparation ou de son remplacement. Un montant de 19,95 \$ (sujet à modification) sera facturé lorsque SharkNinja expédiera la batterie remplacée.

Comment présenter une demande de service sous garantie

Vous devez téléphoner au **1 800 798-7398** pour soumettre une réclamation au titre de la garantie. Vous aurez besoin du reçu comme preuve d'achat. Nous vous demandons également d'enregistrer votre produit en ligne au registryourshark.com et d'avoir le produit à portée de main lorsque vous appelez afin que nous puissions mieux vous aider. Un spécialiste du service à la clientèle vous fournira les directives d'emballage et de retour lors de votre appel. Un spécialiste du service à la clientèle vous fournira les directives d'emballage et de retour.

Manière dont les lois provinciales ou étatiques s'appliquent

Cette garantie vous accorde des droits spécifiques légaux et vous pouvez aussi bénéficier d'autres droits qui varient d'une province ou d'un État à l'autre. Certains États américains ou certaines provinces canadiennes n'acceptent pas l'exclusion ou la limitation de dommages accessoires ou indirects, ce qui fait que cette disposition peut ne pas s'appliquer à votre cas.

REGISTER YOUR PURCHASE



registryourshark.com



RECORD THIS INFORMATION

Model Number: _____

Date Code: _____

Date of Purchase: _____
(Keep receipt)

Store of Purchase: _____

TIP: The model and serial numbers are on the QR code label on the back of the main body.

TECHNICAL SPECIFICATIONS

Voltage: 10.8V

Watts: 85W

ENREGISTREZ VOTRE ACHAT



registryourshark.com



NOTEZ LES RENSEIGNEMENTS CI-DESSOUS

Numéro de modèle : _____

Code de date : _____

Date d'achat : _____
(Conservez la facture)

Magasin où l'appareil a été acheté : _____

CONSEIL : Les numéros de modèle et de série sont sur l'étiquette de code QR au dos de la partie principale.

CARACTÉRISTIQUES TECHNIQUES

Tension : 10,8 V

Wattage : 85 W

PLEASE READ CAREFULLY AND KEEP FOR FUTURE REFERENCE.

This Owner's Guide is designed to help you keep your VACMOP™ running at peak performance.

BATTERY REMOVAL AND DISPOSAL

This product uses a lithium-ion rechargeable and recyclable battery. When the battery no longer holds a charge, it should be removed from the VACMOP and recycled. DO NOT incinerate or compost the battery.

When your lithium-ion battery needs to be replaced, dispose of it or recycle it in accordance with local ordinances or regulations. In some areas, it is illegal to place spent lithium-ion batteries in the trash or in a municipal solid waste stream. Return spent battery to an authorized recycling center or to retailer for recycling. Contact your local recycling center for information on where to drop off the spent battery.

The RBRC™ (Rechargeable Battery Recycling Corporation) seal on the lithium-ion battery indicates that the costs to recycle the battery at the end of its useful life have already been paid by SharkNinja. In some areas, it is illegal to place spent lithium-ion batteries in the trash or municipal solid waste stream and the RBRC program provides an environmentally conscious alternative.

RBRC, in cooperation with SharkNinja and other battery users, has established programs in the United States and Canada to facilitate the collection of spent lithium-ion batteries. Help protect our environment and conserve natural resources by returning the spent lithium-ion battery to an authorized SharkNinja service center or to your local retailer for recycling. You may also contact your local recycling center for information on where to drop off the spent battery, or call 1-800-798-7398.

VEUILLEZ LIRE ATTENTIVEMENT LE PRÉSENT MODE D'EMPLOI ET LE CONSERVER À TITRE INFORMATIF.

Ce guide de l'utilisateur a été conçu afin que vous puissiez faire fonctionner votre VACMOP™ au meilleur de sa performance.

RETRAIT ET MISE AU REBUT DES BATTERIES

Ce produit utilise une pile au lithium-ion rechargeable et recyclable. Lorsque la charge maximale de la batterie devient insuffisante, il faut retirer la batterie du VACMOP et la recycler. N'INCINÉREZ PAS la batterie et ne la mettez pas au compost.

Lorsque la batterie au lithium-ion doit être remplacée, jetez-la ou recyclez-la conformément aux ordonnances ou aux règlements locaux. Dans certaines régions, il est illégal de déposer des batteries au lithium-ion usées au rebut ou dans un flux de déchets solides municipaux. Envoyez les batteries usées à un centre de recyclage autorisé ou retournez-les au détaillant aux fins de recyclage. Communiquez avec votre centre de recyclage local pour savoir où déposer la batterie usée.

Le sceau de la RBRC™ (Rechargeable Battery Recycling Corporation [Société de recyclage des piles et des batteries rechargeables]) sur la batterie au lithium-ion indique que SharkNinja a déjà payé les coûts de recyclage de la batterie à la fin de sa durée de vie. Dans certaines régions, il est illégal de déposer des batteries au lithium-ion usées au rebut ou dans un flux de déchets solides municipaux; le programme de la RBRC offre une solution de rechange respectueuse de l'environnement.

La RBRC, en collaboration avec SharkNinja et d'autres grands utilisateurs de batteries, a créé aux États-Unis et au Canada des programmes visant à faciliter la collecte de batteries au lithium-ion usées. Aidez à protéger l'environnement et à conserver les ressources naturelles en retournant la batterie au lithium-ion usée à un centre d'entretien SharkNinja autorisé ou à votre détaillant local à des fins de recyclage. Vous pouvez également composer le 1 800 798-7398 ou communiquer avec votre centre de recyclage local pour savoir où déposer la batterie usée.



PLEASE READ CAREFULLY AND KEEP FOR FUTURE REFERENCE.

This Owner's Guide is designed to help you get a complete understanding of your new Shark® VACMOP™ cordless hard floor system.

SharkNinja Operating LLC
US: Needham, MA 02494
CAN: Ville St-Laurent, QC H4S 1A7
1-800-798-7398
sharkclean.com

Illustrations may differ from actual product. We are constantly striving to improve our products, therefore the specifications contained herein are subject to change without notice.

For SharkNinja U.S. patent information, visit sharkninja.com/uspatents/

© 2020 SharkNinja Operating LLC. SHARK is a registered trademark of SharkNinja Operating LLC.
VACMOP is a trademark of SharkNinja Operating LLC.
RBRC is a trademark of Rechargeable Battery Recycling Corporation.

VM200Cseries_IB_REV_Mv6
PRINTED IN CHINA

VEUILLEZ LIRE ATTENTIVEMENT LE PRÉSENT MODE D'EMPLOI ET LE CONSERVER À TITRE INFORMATIF.

Ce guide de l'utilisateur a été conçu pour vous aider à acquérir une compréhension approfondie de votre nouveau système de nettoyage sans fil pour planchers à surface dure Shark® VACMOP™.

SharkNinja Operating LLC
États-Unis : Needham, MA 02494
Canada : Saint-Laurent (Québec) H4S 1A7
1 800 798-7398
sharkclean.com

Les illustrations peuvent différer du produit réel. Nous tentons constamment d'améliorer nos produits; par conséquent, les caractéristiques indiquées dans le présent guide peuvent être modifiées sans préavis.

Pour obtenir de l'information au sujet des brevets de SharkNinja aux États-Unis, consultez sharkninja.com/uspatents/

© SharkNinja Operating LLC, 2020. SHARK est une marque de commerce déposée de SharkNinja Operating LLC.
VACMOP est une marque de commerce de SharkNinja Operating LLC.
RBRC est une marque de commerce de la Société de recyclage des piles et des batteries rechargeables.

VM200Cseries_IB_REV_Mv6
IMPRIMÉ EN CHINE



@sharkcleaning