

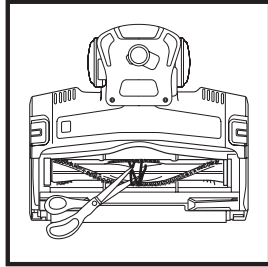
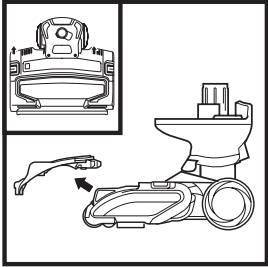
## MAINTENANCE

### Zero-M™ Technology

ZERO·M™

Zero-M Technology™ actively removes hair wrap from your brushroll while you vacuum. If you run over a hard or sharp object or notice a noise change while vacuuming, check for blockages or objects caught in the brushroll.

#### CLEANING THE BRUSHROLL

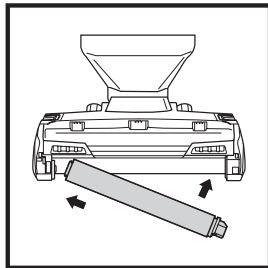
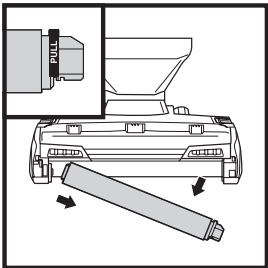


To open the brushroll garage, slide both release buttons on the floor nozzle away from you, towards the back of the nozzle, then lift off the lid. Clear away any objects or debris.

To close the brushroll garage, insert the 3 tabs on top of lid into the 3 slots in the nozzle, then push down on both sides of lid until it clicks securely into place.

**NOTE:** If any hair is wrapped around the brushroll, extending cleaning time will allow Zero-M™ technology to remove it for you. If some fibers remain wrapped around brushroll after continued use, carefully cut debris with scissors and remove from brushroll.

#### CLEANING THE SOFT ROLLER



To remove the **Soft Roller** from the nozzle, lift it out by the pull tab. Tap loose debris off the Soft Roller. Use a dry towel to wipe the Soft Roller clean, or to remove any debris caught in the teeth behind the Soft Roller.

Hand wash the Soft Roller as needed. Use only water, and let air-dry completely for at least 24 hours. Reinsert the Soft Roller under the rubber bumper in the front of the nozzle until it clicks into place.

Please be sure to read the enclosed Shark® Owner's Guide prior to using your unit.

# Shark®

## Performance Lift-Away® Upright Vacuum

ZU700C

## QUICK START GUIDE

Use this Quick Start Guide to learn about your new vacuum's great features.



# Shark

To register your product, or for answers to frequently asked questions, visit [registeryourshark.com](http://registeryourshark.com).



©2019 SharkNinja Operating LLC. SHARK, DUOCLEAN, and LIFT-AWAY, are registered trademarks of SharkNinja Operating LLC. Zero-M is a trademark of SharkNinja Operating LLC.

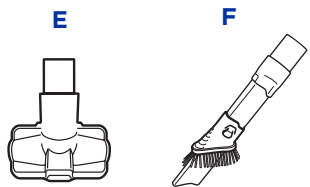
ZU700C\_QSG\_E\_PLT\_Mv2

duo clean®

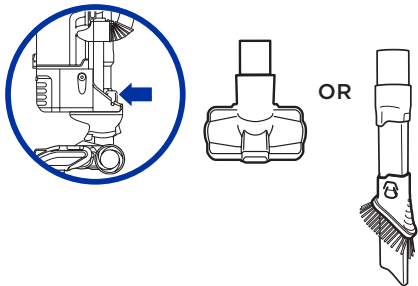
ZERO·M™

## WHAT'S INSIDE:

- A** Vacuum Pod
- B** Motorized Floor Nozzle
- C** Handle & Hose
- D** Wand
- E** Pet Multi-Tool
- F** Duster Crevice Tool



### Attach onboard accessories

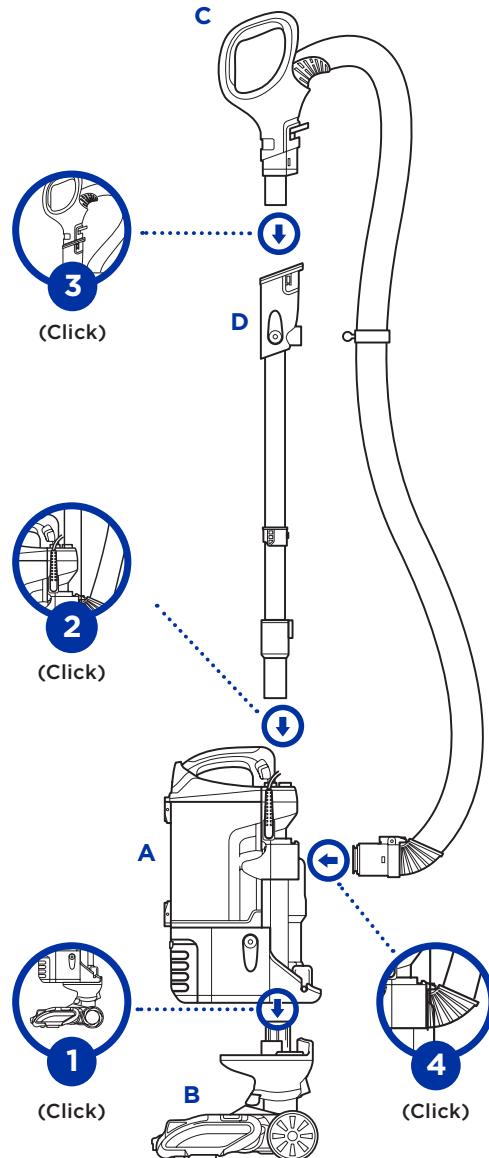


For complete maintenance instructions, see the enclosed **Owner's Guide**.

For additional parts and accessories, visit [sharkaccessories.com](http://sharkaccessories.com)

## ASSEMBLY

1. Attach vacuum pod to floor nozzle.
2. Insert wand into pod.
3. Insert handle and hose into wand.
4. Press hose into back of pod.



## 2 WAYS TO CLEAN:

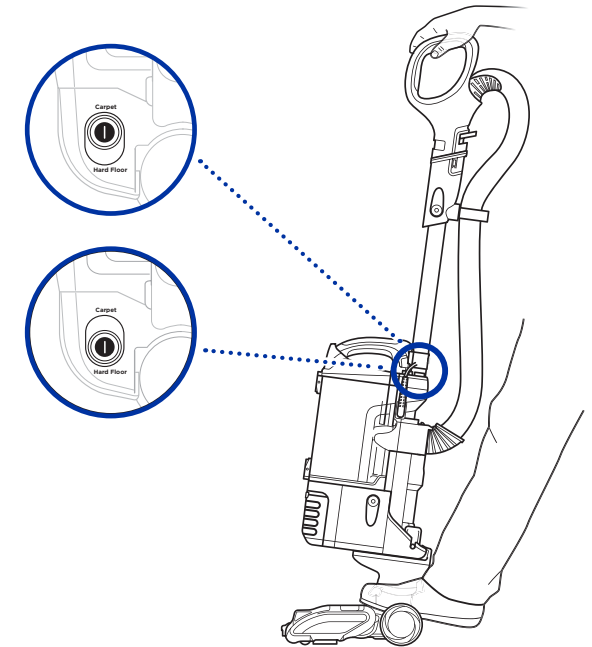
### 1 UPRIGHT

#### Power

Press the Power/Surface Selector button to turn the vacuum on or off.

#### Floor Setting

Slide the Power/Surface Selector button up or down to choose floor type.



### 2 LIFT-AWAY

