

# ***Shark***<sup>®</sup> ***Rocket***<sup>®</sup>

**UV425CCO**


**Series • Série**

---

## **INSTRUCTIONS**



 [sharkclean.com](http://sharkclean.com)

 1-800-798-7398


# THANK YOU

for purchasing the Shark® Rocket® Deluxe Pro Ultra-Light Upright

---

## REGISTER YOUR PURCHASE

 sharkclean.com

 1-800-798-7398



**TIP:** You can find the model number on the rating label which is located behind the dust cup.



**TIP:** You can locate the date code on one of the prongs of the power cord plug.

## RECORD THIS INFORMATION

Model Number: \_\_\_\_\_

Date Code: \_\_\_\_\_

Date of Purchase (Keep receipt): \_\_\_\_\_

Store of Purchase: \_\_\_\_\_

## TECHNICAL SPECIFICATIONS

Voltage: 120V., 60Hz

Watts: 500W

Amps: 4.2A

## PLEASE READ CAREFULLY AND KEEP FOR FUTURE REFERENCE.

This Owner's Guide is designed to help you get a complete understanding of your new Shark Rocket Deluxe Pro Ultra-Light Upright.

If you have any questions, please call the Customer Service line at 1-800-798-7398.

# CONTENTS

---

<b>Important Safety Instructions</b> .....	<b>3</b>
<b>Getting To Know Your Shark® Rocket® Deluxe Pro Ultra-Light Upright</b> .....	<b>5</b>
<b>Assembling Your Vacuum</b> .....	<b>7</b>
<b>Using the Motorized Floor Nozzle</b> .....	<b>9</b>
<b>Choosing the Appropriate Setting</b> .....	<b>10</b>
<b>Using the Dust-Away™ Hard Floor Attachment</b> .....	<b>11</b>
<b>Using Your Vacuum in Above-Floor Mode</b> .....	<b>12</b>
<b>Storage</b> .....	<b>13</b>
<b>Accessories</b> .....	<b>15</b>
<b>Maintaining Your Vacuum</b> .....	<b>17</b>
Emptying the Dust Cup .....	17
Cleaning the Filters .....	18
Microfiber Pad Care .....	19
Checking for Blockages .....	19
<b>Troubleshooting Guide</b> .....	<b>21</b>
<b>Warranty</b> .....	<b>22</b>

# IMPORTANT SAFETY INSTRUCTIONS

## HOUSEHOLD USE ONLY

---

To reduce the risk of electric shock, this vacuum cleaner has a polarized plug (one blade is wider than the other). As a safety feature, this plug will fit into a polarized outlet only one way. If the plug does not fit fully into the outlet, reverse the plug. If it still does not fit, contact a qualified electrician. **DO NOT** force into outlet or try to modify to fit.

## **⚠** WARNING

### TO REDUCE THE RISK OF FIRE, ELECTRIC SHOCK OR INJURY:

#### GENERAL WARNINGS

1. Your vacuum cleaner may consist of a motorized nozzle, wand, hose, and/or vacuum pod. This device contains electrical connections, electrical wiring, and moving parts that potentially present risk to the user.
2. Use only identical replacement parts.
3. Carefully observe and follow the instructions provided below to avoid improper use of the appliance. **DO NOT** use the vacuum for any purpose other than those described in this manual.
4. Before use, carefully inspect all parts for any damage. **DO NOT** use if any parts are damaged.
5. The use of an extension cord is **NOT** recommended.
6. This vacuum cleaner contains no serviceable parts.

#### USE WARNINGS

7. **DO NOT** allow the appliance to be used by children. Close supervision is necessary when used near children. This is not a toy.
8. Always turn off the vacuum cleaner before connecting or disconnecting any motorized nozzles or other accessories.
9. **DO NOT** handle plug or vacuum cleaner with wet hands.
10. **DO NOT** use without filters in place.

11. Only use Shark® branded filters and accessories. Failure to do so will also void the warranty.
12. **DO NOT** damage the power cord:
  - a) **DO NOT** pull or carry vacuum cleaner by the cord or use the cord as a handle.
  - b) **DO NOT** unplug by pulling on cord. Grasp the plug, not the cord.
  - c) **DO NOT** run the vacuum cleaner over the power cord, close a door on the cord, pull the cord around sharp corners, or leave the cord near heated surfaces.
13. **DO NOT** put any objects into nozzle or accessory openings. **DO NOT** use with any opening blocked; keep free of dust, lint, hair, and anything that may reduce airflow.
14. **DO NOT** use if nozzle or accessory airflow is restricted. If the air paths or the motorized floor nozzle become blocked, turn the vacuum cleaner off and unplug from electrical outlet. Remove all obstructions before you plug in and turn on the unit again.
15. Keep nozzle and all vacuum openings away from hair, face, fingers, uncovered feet, or loose clothing.
16. **DO NOT** use if vacuum cleaner is not working as it should, or has been dropped, damaged, left outdoors, or dropped into water.

# SAVE THESE INSTRUCTIONS

READ ALL INSTRUCTIONS BEFORE USE

17. Use extra care when cleaning on stairs.
18. **DO NOT** leave the vacuum cleaner unattended while plugged in.
19. When powered on, keep the vacuum cleaner moving over the carpet surface at all times to avoid damaging the carpet fibers.
20. **DO NOT** place vacuum cleaner on unstable surfaces such as chairs or tables.
21. Your Shark® vacuum may not be designed to stand up on its own. When taking a break from cleaning, you may need to lean it against furniture or a wall, or lay it flat on the floor. Using the vacuum for an application where the unit lacks stability may result in personal injury.
22. **DO NOT** use to pick up:
  - a) Liquids
  - b) Large objects
  - c) Hard or sharp objects (glass, nails, screws, or coins)
  - d) Large quantities of dust (drywall dust, fireplace ash, or embers). **DO NOT** use as an attachment to power tools for dust collection.
  - e) Smoking or burning objects (hot coals, cigarette butts, or matches)
  - f) Flammable or combustible materials (lighter fluid, gasoline, or kerosene)
  - g) Toxic materials (chlorine bleach, ammonia, or drain cleaner)
23. **DO NOT** use in the following areas:
  - a) Poorly lit areas
  - b) Wet or damp surfaces
  - c) Outdoor areas
  - d) Spaces that are enclosed and may contain explosive or toxic fumes or vapors (lighter fluid, gasoline, kerosene, paint, paint thinners, mothproofing substances, or flammable dust)
24. Turn off all controls before plugging in or unplugging the vacuum.
25. Unplug from electrical outlet when not in use and before any maintenance or cleaning.
26. Hand wash with water only. Washing with cleaning chemicals could damage the unit.
27. During cleaning or routine maintenance, **DO NOT** cut anything other than hair, fibers, or string wrapped around the brushroll.
28. Allow all filters to air-dry completely before replacing in the vacuum to prevent liquid from being drawn into electric parts.
29. Make sure the dust cup and all filters are in place after routine maintenance.
30. If provided, secure the power cord around the two cord hooks during storage.

# GETTING TO KNOW YOUR SHARK® ROCKET® DELUXE PRO ULTRA-LIGHT UPRIGHT

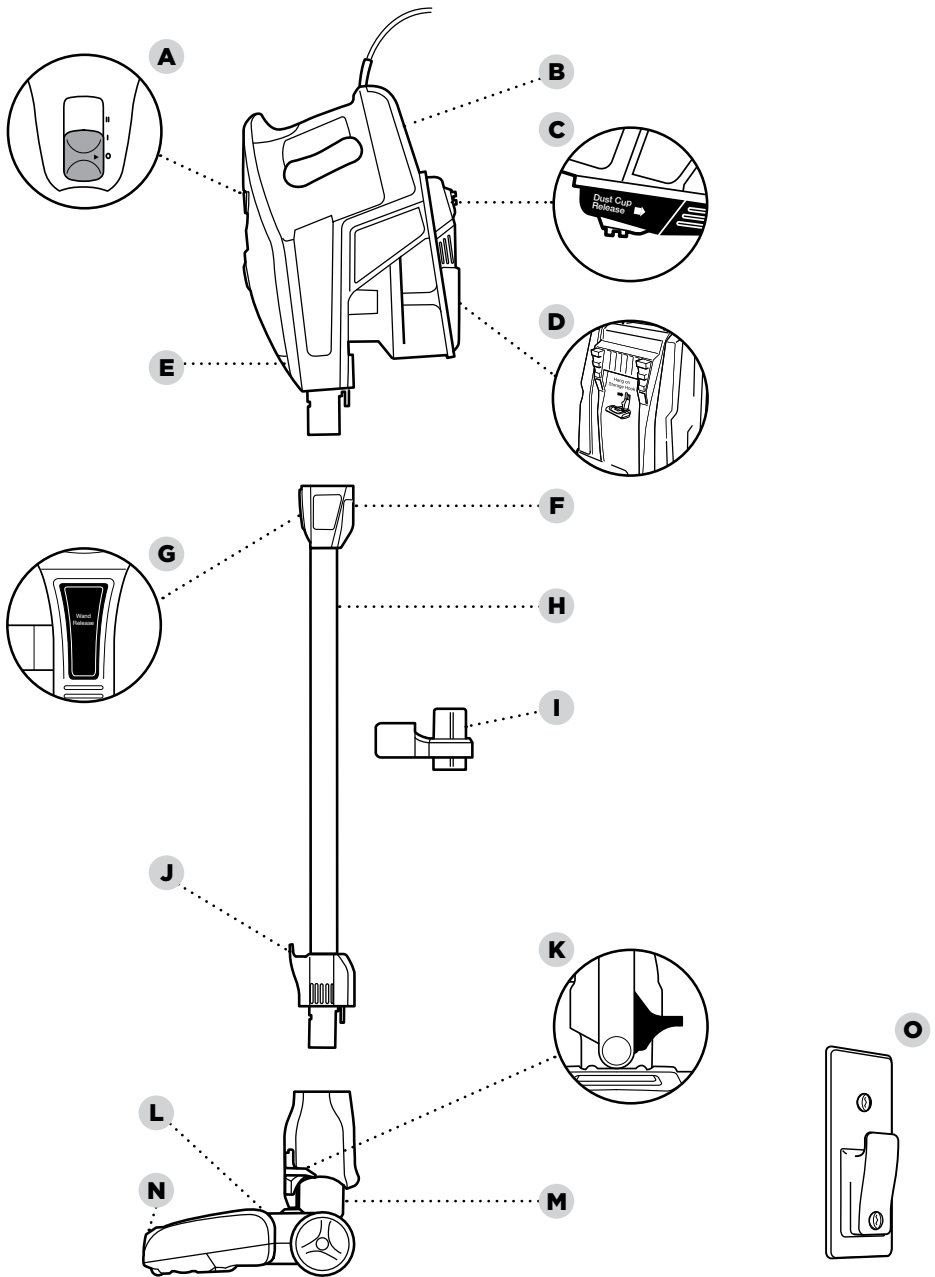
---

## WELCOME!

Congratulations on your purchase. Use this instruction manual to learn about your new vacuum's great features. From assembly to use to maintenance, you will find it all in here.

## MAIN UNIT

- A** Power Switch
- B** Handheld Vacuum
- C** Dust Cup Release
- D** Handheld Vacuum Catch
- E** LED Light
- F** Cord Hooks (not visible)
- G** Wand Release
- H** Wand
- I** On-Board Tool Clip
- J** Handheld Vacuum Storage Hook
- K** Lower Wand Release Pedal
- L** Brushroll Indicator Light
- M** Motorized Floor Nozzle
- N** Headlights
- O** Wall Mount

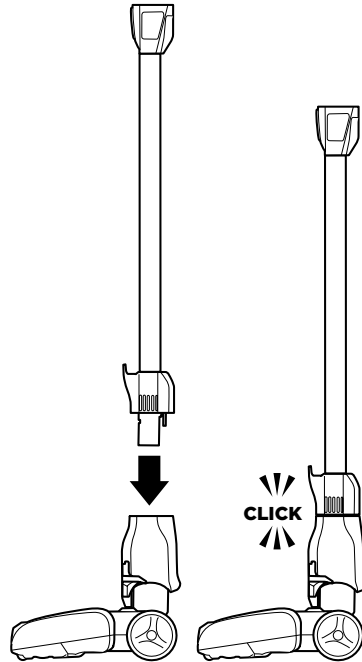


# ASSEMBLING YOUR VACUUM

## DID YOU KNOW?

The motorized floor nozzle and handheld vacuum have LED lights that illuminate the floor surface being cleaned. The lights turn on automatically in either speed setting.

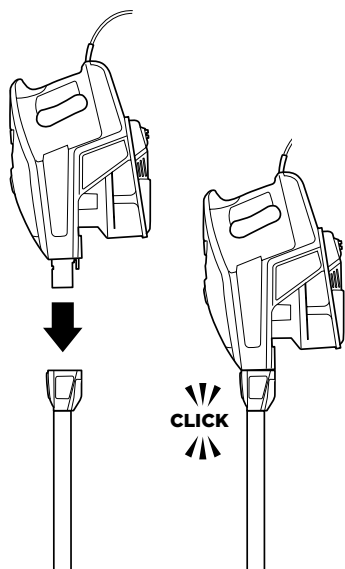
## STEP 1



- 1** Insert the wand into the motorized floor nozzle connector until you hear a click.

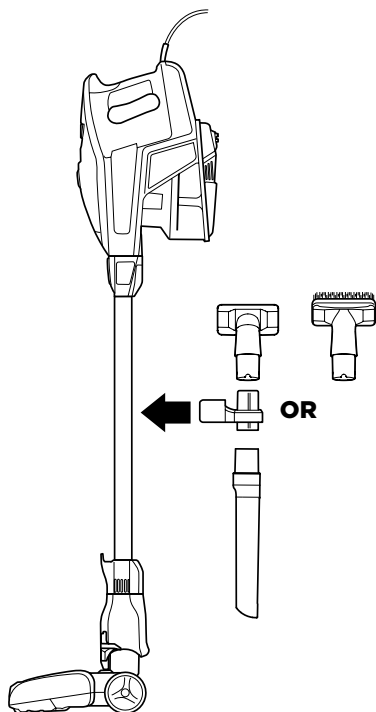


## STEP 2



- 2** Insert the handheld vacuum into the top of the wand until you hear a click.

## STEP 3



- 3** This vacuum comes with a detachable clip to store up to 2 accessories on board. Snap clip onto the wand. Store one accessory on top holder and one accessory on bottom holder.

# USING THE MOTORIZED FLOOR NOZZLE

---

**⚠ CAUTION:** This vacuum does not stand up on its own, so when taking a break from cleaning, rest it against a piece of furniture or a wall, or lay it flat on the floor. Using for an application where the unit lacks stability may result in personal injury.

**👉 NOTE:** Before vacuuming your delicate area rugs or carpet, refer to the manufacturer's recommended cleaning instructions.

.....

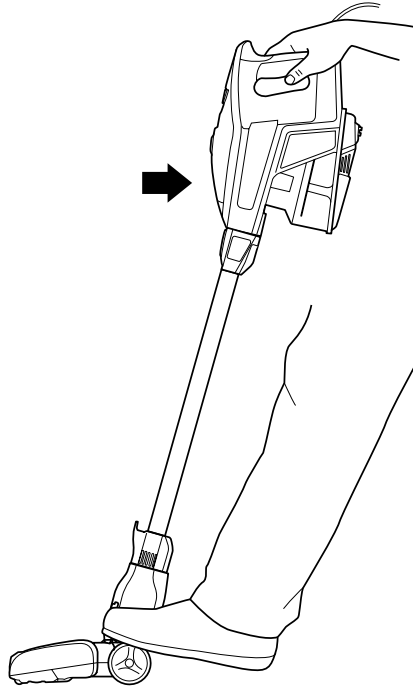
## WHAT DOES THE BRUSHROLL INDICATOR LIGHT MEAN?

### **Solid Green**

The brushroll is on and working as it should.

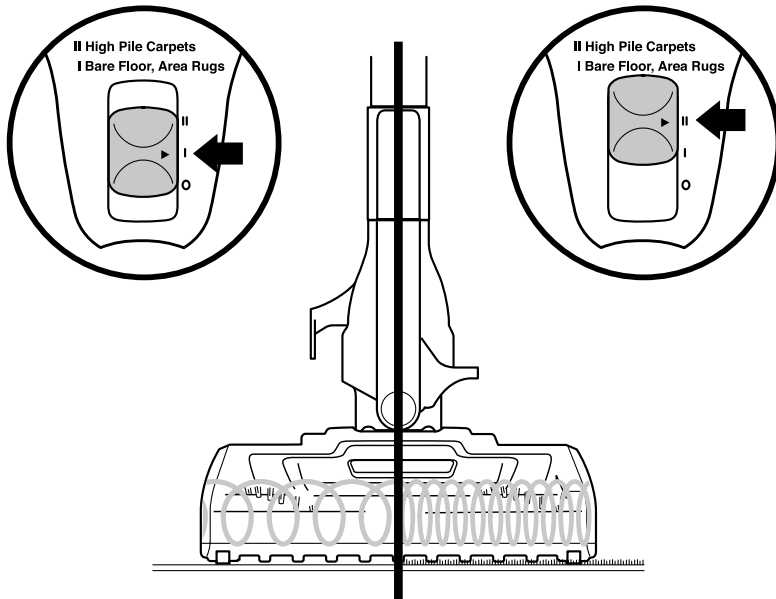
### **Solid Red**

There is a jam in the brushroll area. Turn your vacuum off and remove the blockage.



- 1** Plug the unit in and recline the wand.

# CHOOSING THE APPROPRIATE SETTING



The Rocket® Deluxe Pro Ultra-Light has a 2-speed power slider switch on the handle. Slide the power switch to appropriate speed setting (I or II) and start cleaning.

**Bare Floor, Area Rugs (I)** – The brushroll spins slowly to clean bare floors and delicate area rugs.

**High Pile Carpets (II)** – The brushroll spins faster to pick up debris below the surface of your carpets.

**NOTE:** For deep cleaning per ASTM F 608 (embedded dirt in carpets) please set to High Pile Carpets (II).

# USING THE DUST-AWAY™ HARD FLOOR ATTACHMENT

**★ IMPORTANT:** Do not use the Dust-Away™ Hard Floor Attachment without the Microfiber Pad.

**🔧 NOTE:** Both power settings provide the same suction power.

**💡 TIP:** You can attach the handheld vacuum directly to the motorized floor nozzle for convenient stair cleaning.

## MICROFIBER PAD CARE

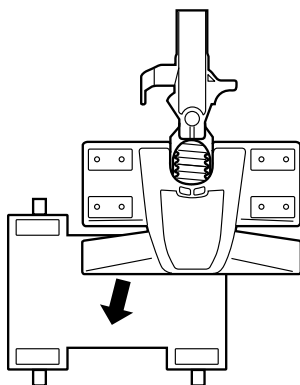
Machine or hand wash the pads separately in warm water with liquid detergent.

Do not use bleach or fabric softeners as they may damage the pads or leave a coating that will reduce their cleaning performance.

Tumble dry low or line dry to extend the life of the microfiber fabric.

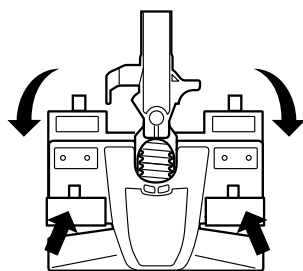
For the best results, replace your microfiber pads every 3 to 4 months.

## STEP 1



**1** Slip two tabs between the nozzle and the cluster base and attach them to the front fasteners.

## STEP 2



**2** Pull the other two tabs tightly around to the back fasteners. Ensure the pad is flat against the bottom surface and tightly secured.

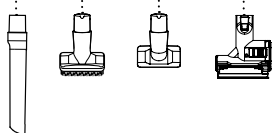
Slide the power switch to either setting to clean hard floors. Do not use to clean damp floors or wet/sticky messes. Use only pads provided by Shark®.

# USING YOUR VACUUM IN ABOVE-FLOOR MODE

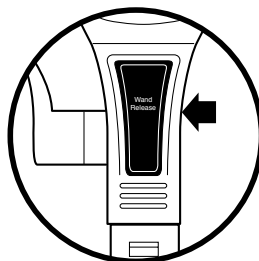
## STEP 1



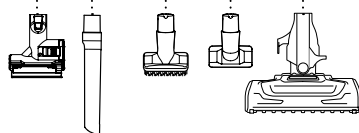
## STEP 2



## STEP 1



## STEP 2



### FOR LONG-REACH CLEANING

- 1** Stand the vacuum upright. Step on the foot pedal and pull the wand up to disconnect it from the motorized floor nozzle.
- 2** Attach desired cleaning accessory.

### FOR SHORT-REACH CLEANING

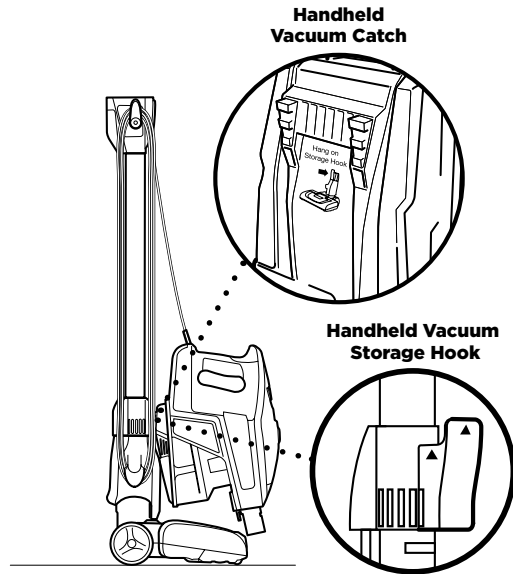
- 1** Press the Wand Release button on the top of the wand to disconnect it from the handheld vacuum.
- 2** Attach desired cleaning accessory. The LED light on the handheld vacuum turns on automatically when the power is on.

# STORAGE

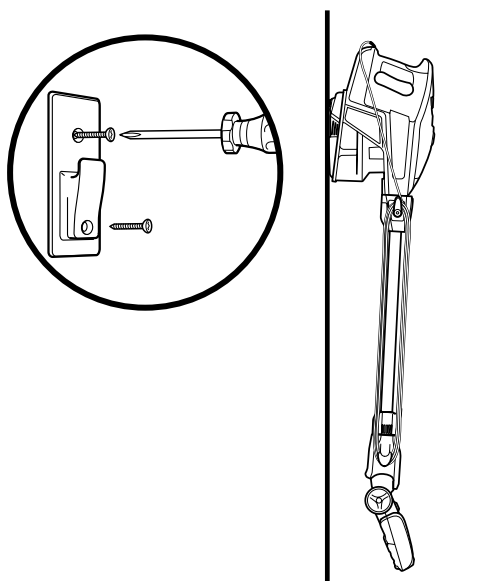
**TIP:** If your unit came with an accessory bag, you can hang the bag on the wall mount with the vacuum.

**TIP:** Be sure to use the plastic anchors provided when mounting into drywall; alternatively you may place screws directly into a stud.

## OPTION 1



- 1 Press the Wand Release button on the top of the wand to release the handheld vacuum. There is a catch on the bottom of the handheld vacuum. Hang it from the hook located on the bottom portion of the wand. Wrap the cord around the two cord hooks.

**OPTION 2**

- 2** Use the wall mount that is included. Drill two 5/16" holes and insert plastic anchors provided into the wall. Using a Phillips head screwdriver, screw the wall mount into the plastic anchors. Hook the catch on the bottom of the handheld vacuum onto wall mount.

# ACCESSORIES

---

**NOTE:** Not all accessories come with all units. Please see the enclosed Quick Start Guide for your unit's configuration.

**A 30 cm (12 in.) Crevice Tool**

Clean in between tight spaces or reach baseboards and ceilings with this slim crevice tool.

**C Mini Motorized Brush**

The power of a full-size upright in the palm of your hand. Picks up pet hair and loose debris and powerfully cleans dander out of upholstery and surfaces. Cannot be used with the Flexible Hose.

**E Dust-Away™ Hard Floor Attachment with Microfiber Pad**

Direct suction for big crumbs and debris while microfiber pad dusts hardwood and tile floors.

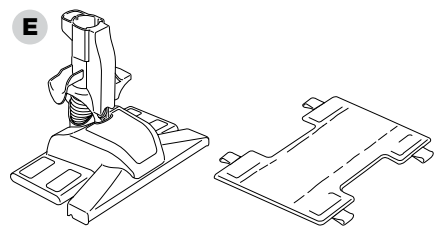
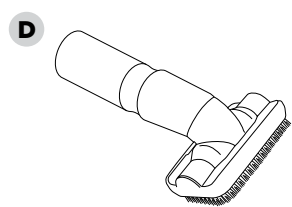
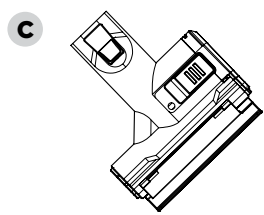
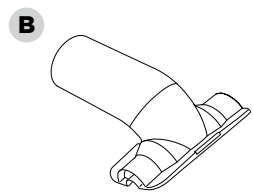
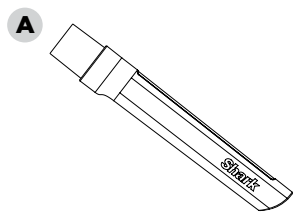
**B Pet/Upholstery Tool**

Perfect for grabbing pet hair and lint from furniture and other upholstered surfaces.

**D Dusting Brush**

Dust a multitude of surfaces such as shelves, baseboards, window/door frames, and much more. Turn the brush head to adjust the angle to the surface you're cleaning.





# MAINTAINING YOUR VACUUM

**CAUTION: Hand wash filters with water only to prevent damage from cleaning chemicals. Allow ALL filters to dry completely before replacing in the vacuum to prevent liquid from being drawn into electric parts.**

**⚠ CAUTION: Turn power off and unplug before servicing.**

**★ IMPORTANT:** Clean the dust screen inside the dust cup as required.

**👉 NOTE:** Empty dust cup when debris reaches the MAX fill line.

## RECOMMENDED FILTER CLEANING SCHEDULE:

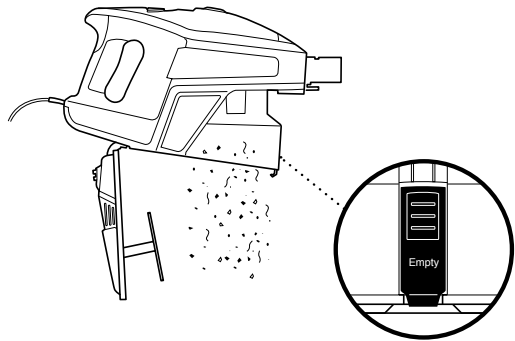
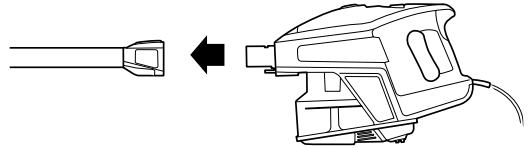
### Pre-Motor Filter Kit

(Foam & Felt)  
XPMFK320  
Clean once a month.

### Post-Motor Filter

1084FTV320  
Clean once a year.

## STEP 1

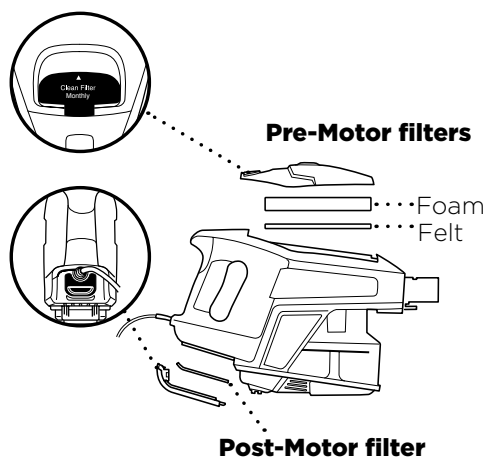
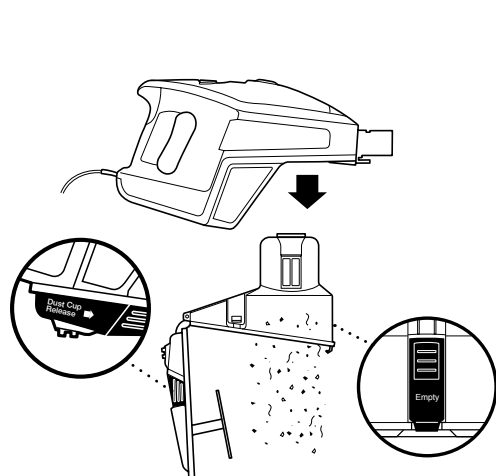


## EMPTYING THE DUST CUP

- 1 Press the Wand Release button on the top of the wand to disconnect it from the handheld vacuum.

## OR

Remove the dust cup from the handheld vacuum by squeezing the two Dust Cup Release buttons on both sides of the base at the same time and pulling it out.

**STEP 2**

- 2** Hold dust cup over a trash bin and press the Empty button on the front of the dust cup. The bottom lid will open, allowing the debris to fall out.
- 3** Once dust cup is empty, close the bottom lid and insert dust cup back into handheld vacuum until you hear it click into place.

**CLEANING THE FILTERS**

- 1** Access the pre-motor foam and felt filters by lifting the latch on the top of the handheld vacuum. Remove and rinse the filters with water. Tap loose dirt off filters between washes as needed. Once completely dry, insert the felt filter first, then place the foam filter on top of it.
- 2** Access the post-motor filter under the handle. Remove and rinse the filter with water.

# MAINTAINING YOUR VACUUM

---

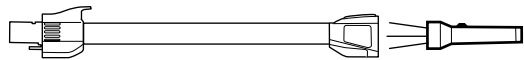
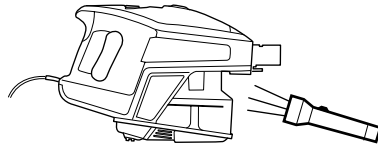
**IMPORTANT: Do not cut anything but the hair, fibers or string that is on the brushroll.**



**TIP:** Ensure the bottom of the floor nozzle is completely sealed and locked before using.

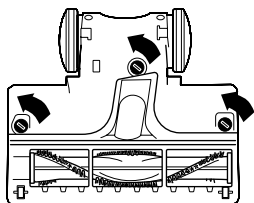
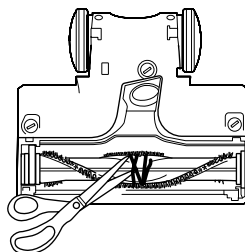
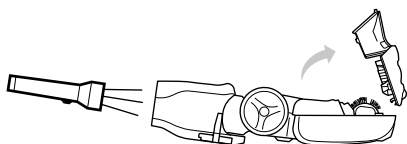
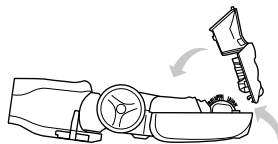


**TIP:** You do not need any tools to open the floor nozzle—just a coin.



## **CHECKING FOR BLOCKAGES: HANDHELD AND WAND**

- 1** Remove the wand from the handheld portion and check all dust cup intake openings.
- 2** Remove the floor nozzle from the wand and check the wand for blockages.

**STEP 1****STEP 3****STEP 2****STEP 4****BOTTOM OF FLOOR NOZZLE**

- 1** Use a coin to unlock the three locks on the bottom of the floor nozzle.
- 2** A portion of the base is removable to allow for better access to the brushroll and exposure to the airway. Shine a flashlight from the bottom to check for possible blockages in the airway.
- 3** Remove any string, carpet fibers, or hair that may be wrapped around the brushroll. There is a groove along the brushroll that allows a pair of scissors to cut across it to loosen up debris.
- 4** To re-assemble, replace base by lining it up along the front of the nozzle. Push down to snap into place until you hear a click. Lock the three locks.

# TROUBLESHOOTING GUIDE

---

**⚠ WARNING: To reduce the risk of shock and unintended operation, turn power off and unplug unit before servicing.**

**Vacuum is not picking up debris. No suction or light suction.**  
(Refer to Maintenance section for more information.)

- Check filters to see if they need cleaning. Follow instructions for rinsing and completely air-drying the filters before reinserting in the vacuum.
- Dust cup may be full; empty dust cup.
- Check floor nozzle for blockages; clear blockages if required.
- Remove any string, carpet fibers, or hair that may be wrapped around the brushroll.

**Vacuum lifts area rugs.**

- Suction is powerful. Take care when vacuuming area rugs or rugs with delicately sewn edges.
- Turn off the unit to disengage the brushroll and restart with the power slider switch.

**Brushroll does not spin.**

- If Brushroll Indicator Light on the floor nozzle turns red, the brushroll has stopped spinning. Immediately turn off and unplug vacuum and remove blockage. Re-plug the unit into an electrical outlet and turn vacuum on.
- If Brushroll Indicator Light on the floor nozzle is green, the blockage has been successfully cleared. If the light is still red, please contact Customer Service at 1-800-798-7398.

**Vacuum turns off on its own.**

This vacuum is equipped with a motor-protective thermostat so the vacuum will shut off if it overheats. Should this occur, perform the following steps to restart the motor-protective thermostat:

1. Turn vacuum off and unplug it.
2. Empty dust cup and clean filters (see Maintenance section).
3. Check for blockages in hose, accessories, and inlet openings.
4. Allow unit to cool for a minimum of 45 minutes.
5. Plug in vacuum and turn it on.

# Shark | NINJA FIVE (5) YEAR LIMITED WARRANTY

The 5-Year Limited Warranty applies to purchases made from authorized retailers of **SharkNinja Operating LLC**. Warranty coverage applies to the original owner and to the original product only and is not transferable.

SharkNinja warrants that the unit shall be free from defects in material and workmanship for a period of 5 years from the date of purchase when it is used under normal household conditions and maintained according to the requirements outlined in this instruction manual, subject to the following conditions and exclusions.

## What is covered in my warranty?

1. The original unit and/or non-wearable components deemed defective, in SharkNinja's sole discretion, will be repaired or replaced for up to 5 years from the original purchase date.
2. In the rare event that a replacement unit is issued, the warranty coverage ends six months following the receipt date of the replacement unit or the remainder of the existing warranty, whichever is greater. If the unit is replaced, SharkNinja reserves the right to replace the unit with one of equal or greater value.

## What is not covered in my warranty?

Our Customer Service/Product Specialists are available to provide all the warranty service options available to you, including the possibility of upgrading to our VIP Warranty Service Options for select product categories.

1. Normal wear and tear of wearable parts such as foam filters, HEPA filters, pads etc., which require regular maintenance and/or replacement to ensure the proper functioning of your unit, are not covered by this warranty.
2. Any unit that has been tampered with or used for commercial purposes.
3. SharkNinja will cover the cost for the customer to send in the unit to us for repair or replacement. A fee of \$19.95 for return shipping costs will be charged at the time of return shipment of the repaired or replacement unit.
4. Damage caused by misuse, abuse, or negligent handling, or damage due to mishandling in transit.
5. Consequential and incidental damages.
6. Defects caused by or resulting from damages from shipping or from repairs, service, or alteration to the product or any of its parts that have been performed by a repair person not authorized by SharkNinja.
7. Products purchased, used, or operated outside of North America.

## Problems with your unit/How to get service

If your appliance fails to operate properly while in use under normal household conditions within the warranty period, visit [sharkclean.com](http://sharkclean.com) for product care/maintenance self-help. Our Customer Service and product specialists are also available at 1-800-798-7398 to assist with product support and warranty service options.

## How to initiate a warranty claim

You can call 1-800-798-7398 to have a Customer Service specialist assist you. Please note you must call 1-800-798-7398 to initiate a warranty claim. Return and Packing Instruction information will be provided at that time.

For Customer Service hours, visit [sharkclean.com](http://sharkclean.com)

Replacement parts are available for purchase at [sharkclean.com](http://sharkclean.com). For more information on which parts are classified as wearable and non-wearable, please visit [sharkclean.com/warranty](http://sharkclean.com/warranty).

This warranty gives you specific legal rights, and you also may have other rights that vary from state to state.

Some states do not permit the exclusion or limitation of incidental or consequential damages, so the above may not apply to you.


# NOUS VOUS REMERCIONS


d'avoir fait l'achat de l'aspirateur vertical ultra-léger Shark® Rocket® DeluxePro


---

## ENREGISTRER VOTRE ACHAT

 sharkclean.com

 1-800-798-7398

 **CONSEIL :** Le numéro de modèle est indiqué sur la plaque signalétique qui est située à l'arrière de l'appareil.

 **CONSEIL :** Le code de la date est indiqué sur l'une des broches du cordon d'alimentation.

## NOTER CES RENSEIGNEMENTS

Numéro de modèle : \_\_\_\_\_

Code de la date de fabrication : \_\_\_\_\_

Date d'achat (conserver le reçu) : \_\_\_\_\_

Lieu d'achat : \_\_\_\_\_

## CARACTÉRISTIQUES TECHNIQUES

Tension électrique : 120 V, 60 Hz

Watts : 500W

Puissance : 4,2A

## VEUILLEZ LIRE CE MANUEL SOIGNEUSEMENT ET LE CONSERVER POUR RÉFÉRENCE ULTÉRIEURE.

Ce manuel du propriétaire a été conçu pour vous aider à acquérir une compréhension approfondie de votre nouvel aspirateur vertical ultra-léger Shark Rocket DeluxePro.

Pour toute question, veuillez communiquer avec le service à la clientèle au 1-800-798-7398.



# TABLE DES MATIÈRES

---

<b>Consignes de sécurité importantes</b> .....	<b>25</b>
<b>Apprendre à connaître l'aspirateur vertical ultra-léger Shark® Rocket® DeluxePro</b> .....	<b>27</b>
<b>Assemblage de l'aspirateur</b> .....	<b>29</b>
<b>Utilisation de la buse de plancher motorisée</b> .....	<b>31</b>
<b>Choisir la configuration appropriée</b> .....	<b>32</b>
<b>Utilisation de l'accessoire pour plancher à surface dure Dust-Away™</b> .....	<b>33</b>
<b>Utilisation de l'aspirateur en mode nettoyage au-dessus du sol</b> .....	<b>34</b>
<b>Rangement</b> .....	<b>35</b>
<b>Accessoires</b> .....	<b>37</b>
<b>Entretien de l'aspirateur</b> .....	<b>39</b>
Vidange du récipient à poussière .....	39
Nettoyage des filtres .....	40
Entretien du tampon en microfibre .....	41
Vérification de la présence d'obstructions .....	41
<b>Guide de dépannage</b> .....	<b>43</b>
<b>Garantie</b> .....	<b>44</b>

# IMPORTANTES CONSIGNES DE SÉCURITÉ

## USAGE DOMESTIQUE SEULEMENT

Pour réduire le risque de décharges électriques, cet aspirateur est muni d'une fiche polarisée (une lame est plus large que l'autre). Comme précaution, cette fiche s'insère dans une prise polarisée dans un seul sens. Si la fiche d'alimentation ne s'insère pas à fond dans la prise de courant, inversez alors le sens de la fiche. Si elle ne s'insère toujours pas, communiquez avec un électricien qualifié. NE FORCEZ PAS pour insérer la fiche dans la prise et ne tentez pas de la modifier.

## ⚠ AVERTISSEMENT

AFIN DE RÉDUIRE LES RISQUES D'INCENDIE, D'ÉLECTROCUTION OU DE BLESSURE :

### AVERTISSEMENTS GÉNÉRAUX

1. Votre aspirateur pourrait être composé d'une buse motorisée, d'un tube, d'un tuyau et/ou d'un réceptacle. Cet appareil comporte des raccordements électriques, du filage électrique et des pièces amovibles pouvant exposer l'utilisateur à certains risques.
2. Utilisez uniquement des pièces de rechange identiques.
3. Respectez et suivez attentivement les instructions ci-dessous afin d'éviter tout usage inadéquat de l'appareil. **N'UTILISEZ PAS** l'aspirateur pour un usage autre que ceux décrits dans le présent manuel.
4. Avant d'utiliser, inspectez soigneusement toutes les pièces afin de déceler tout dommage. **NE L'UTILISEZ PAS** s'il est endommagé.
5. L'utilisation d'une rallonge électrique **N'EST PAS** recommandée.
6. Cet aspirateur ne renferme aucune pièce qui peut être réparée.

### AVERTISSEMENTS CONCERNANT L'UTILISATION

7. **NE LAISSEZ PAS** les enfants se servir de l'appareil. Une surveillance étroite est nécessaire lorsque l'appareil est utilisé en présence d'enfants. Cet appareil n'est pas un jouet.
8. Mettez toujours l'aspirateur hors tension avant d'attacher ou de détacher la buse motorisée ou un autre accessoire.
9. **NE MANIPULEZ PAS** la fiche ou l'aspirateur avec les mains mouillées.

10. **N'UTILISEZ PAS** l'appareil si les filtres ne sont pas en place.
11. Utilisez uniquement des filtres et des accessoires de marque Shark<sup>MD</sup>. Sinon, la garantie sera annulée.
12. Prenez soin de **NE PAS ENDOMMAGER** le cordon d'alimentation :
  - a) **N'UTILISEZ PAS** le cordon d'alimentation comme poignée pour porter ou pour tirer l'aspirateur.
  - b) **NE DÉBRANCHEZ PAS** l'appareil en tirant sur le cordon d'alimentation. Agrippez la fiche et non le cordon.
  - c) **NE PASSEZ PAS** l'aspirateur par-dessus le cordon d'alimentation, ne fermez pas une porte sur le cordon, ne tirez pas le cordon sur des coins pointus et ne laissez pas le cordon près de surfaces chaudes.
13. **ÉVITEZ** d'insérer des objets dans les ouvertures de la buse ou de tout autre accessoire. **N'UTILISEZ PAS** l'appareil si une ouverture est obstruée. Veillez à ce que les ouvertures ne soient pas bloquées par de la poussière, de la peluche, des cheveux ou tout autre élément qui pourrait gêner la circulation de l'air.
14. **N'UTILISEZ PAS** l'appareil si le flux d'air de la buse ou de l'accessoire est obstrué. Si la buse de plancher motorisée ou les conduits d'air deviennent obstrués, éteignez l'aspirateur et débranchez-le de

# CONSERVEZ CES INSTRUCTIONS

## LISEZ TOUTES LES INSTRUCTIONS AVANT L'UTILISATION

- la prise de courant. Retirez toute obstruction avant de remettre l'appareil en marche.
15. Tenez la buse et tous les orifices de l'aspirateur éloignés des cheveux, du visage, des doigts, des pieds déchaussés ou des vêtements amples.
  16. **N'UTILISEZ PAS** l'aspirateur s'il ne fonctionne pas comme prévu, ou s'il a été échappé sur le sol, endommagé, laissé à l'extérieur ou immergé.
  17. Soyez extrêmement prudent lorsque vous nettoyez les escaliers.
  18. **NE LAISSEZ PAS** l'aspirateur sans surveillance lorsqu'il est branché.
  19. Lorsqu'il est en marche, gardez l'aspirateur en mouvement sur le tapis en tout temps, afin d'éviter d'endommager les fibres du tapis.
  20. **NE PLACEZ PAS** l'aspirateur sur des surfaces instables comme des chaises ou des tables.
  21. Votre aspirateur Shark<sup>MD</sup> pourrait ne pas avoir été conçu pour se maintenir de lui-même en position verticale. Lorsque vous prenez une pause, vous devrez peut-être l'appuyer contre un meuble ou un mur, ou le placer sur le plancher. Toute utilisation où l'aspirateur serait dans une position instable pourrait entraîner des blessures corporelles.
  22. **N'UTILISEZ PAS** l'appareil pour aspirer :
    - a) Des liquides
    - b) Des objets de grande taille
    - c) Des objets durs ou tranchants (verre, clous, vis ou pièces de monnaie)
    - d) De grandes quantités de poussière (poussière de cloison sèche, cendres ou braises de foyer). **N'UTILISEZ PAS** l'aspirateur comme accessoire pour un outil électrique pour l'aspiration de la poussière.
    - e) Des objets fumants ou brûlants (charbons ardents, mégots de cigarettes ou allumettes)
  - f) Des matériaux inflammables ou combustibles (essence à briquet, essence ou kérosène)
  - g) Matières toxiques (eau de Javel, ammoniacale ou produit débouchant)
23. **N'UTILISEZ PAS** l'appareil dans les endroits suivants :
    - a) Endroits faiblement éclairés
    - b) Surfaces humides ou mouillées
    - c) À l'extérieur
    - d) Dans des endroits fermés pouvant contenir des matières explosives, ou des fumées ou vapeurs toxiques (essence à briquet, essence, kérosène, peinture, diluants à peinture, produits de traitement antimite ou poussières inflammables)
  24. Fermez toutes les commandes avant de brancher ou de débrancher l'aspirateur.
  25. Débranchez l'appareil de la prise murale lorsqu'il n'est pas en usage, et avant d'en faire l'entretien ou de le nettoyer.
  26. Lavez à la main avec de l'eau seulement. L'utilisation de produits chimiques de nettoyage pourrait endommager l'appareil.
  27. Pendant le nettoyage ou l'entretien, **NE COUPEZ AUCUNE** matière autre que des cheveux, des fibres ou de la ficelle enroulés autour de la brosse cylindrique rotative.
  28. Laissez tous les filtres sécher complètement avant de les remettre dans l'aspirateur pour éviter que du liquide ne soit aspiré dans les composants électriques.
  29. Après avoir effectué l'entretien de routine, assurez-vous que le récipient à poussière et tous les filtres sont en place.
  30. Le cas échéant, fixez le cordon d'alimentation autour des deux crochets avant de ranger l'appareil.

# APPRENDRE À CONNAÎTRE L'ASPIRATEUR VERTICAL ULTRA-LÉGER SHARK® ROCKET® DELUXEPRO

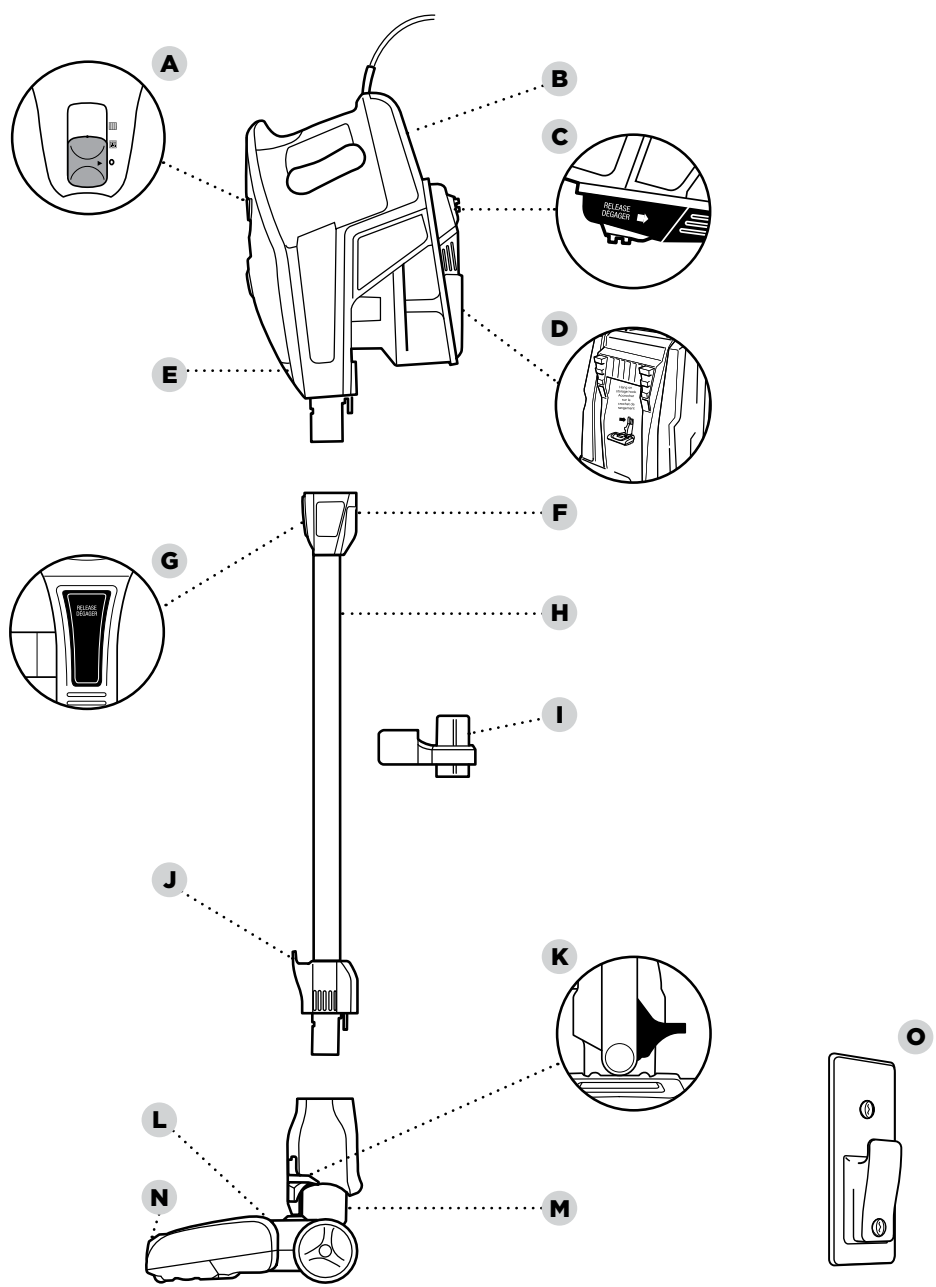
---

## BIENVENUE!

Félicitations pour votre achat. Utilisez ce mode d'emploi pour en apprendre davantage sur les caractéristiques fantastiques de votre nouvel aspirateur. De l'assemblage à l'utilisation, en passant par l'entretien, vous trouverez tous les renseignements que vous cherchez ici.

## UNITÉ PRINCIPALE

- A** Interrupteur d'alimentation
- B** Aspirateur portatif
- C** Bouton de dégagement du bac à poussière
- D** Collecteur de l'aspirateur portatif
- E** Lumière à DEL
- F** Crochets d'enroulement du cordon (non visible)
- G** Bouton de dégagement du tube
- H** Tube
- I** Crochet porte-accessoires intégré
- J** Crochet de rangement de l'aspirateur portatif
- K** Pédale de dégagement du tube inférieur
- L** Voyant lumineux de la brosse rotative
- M** Buse de plancher motorisée
- N** Lumières à l'avant
- O** Support mural

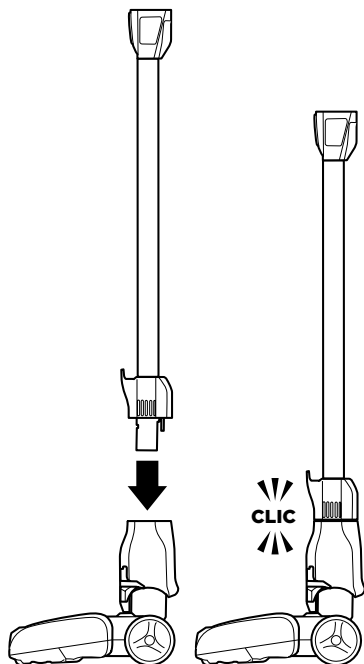


# ASSEMBLAGE DE L'ASPIRATEUR

## LE SAVIEZ-VOUS?

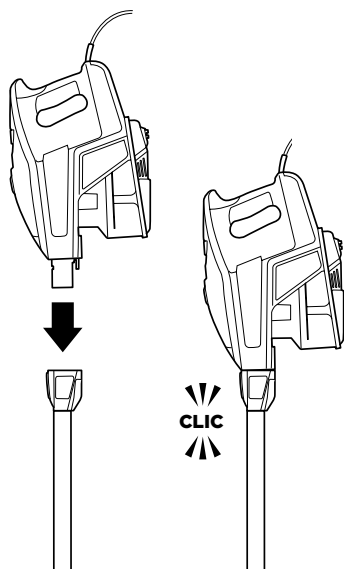
La buse de plancher motorisée et l'aspirateur portatif sont équipés de lumières à DEL pour éclairer la surface de nettoyage. Les lumières s'allument automatiquement, peu importe le réglage de la vitesse.

## ÉTAPE 1



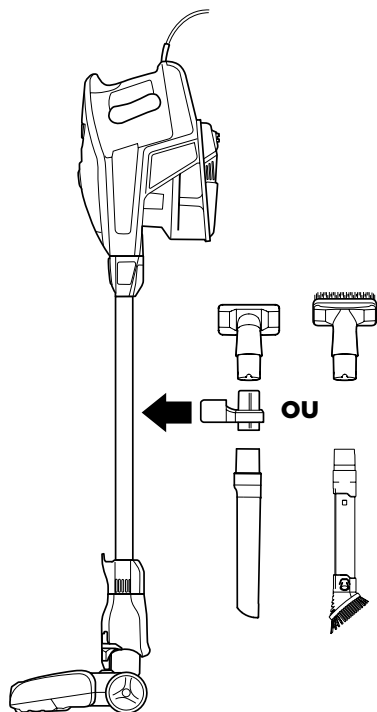
- 1** Insérez le tube dans la buse de plancher motorisée jusqu'à ce qu'un clic se fasse entendre.

## ÉTAPE 2



- 2** Insérez l'aspirateur portatif dans la partie supérieure du tube jusqu'à ce qu'un clic se fasse entendre.

## ÉTAPE 3



- 3** Cet aspirateur est équipé d'un clip amovible qui permet de ranger 2 accessoires sur l'appareil. Poussez le clip dans le tube. Fixez un accessoire sur le support supérieur et l'autre sur le support inférieur.

# UTILISATION DE LA BUSE DE PLANCHER MOTORISÉE

**⚠ AVERTISSEMENT :** Cet aspirateur ne peut se tenir debout par lui-même, ainsi, lorsque vous prenez une pause de nettoyage, appuyez-le contre un meuble ou un mur, ou couchez-le sur le plancher. Toute utilisation où l'on manquerait de stabilité pourrait causer des blessures corporelles.

**👉 REMARQUE :** Veuillez suivre les instructions de nettoyage préconisées par le fabricant avant de passer l'aspirateur sur les moquettes ou les tapis délicats.

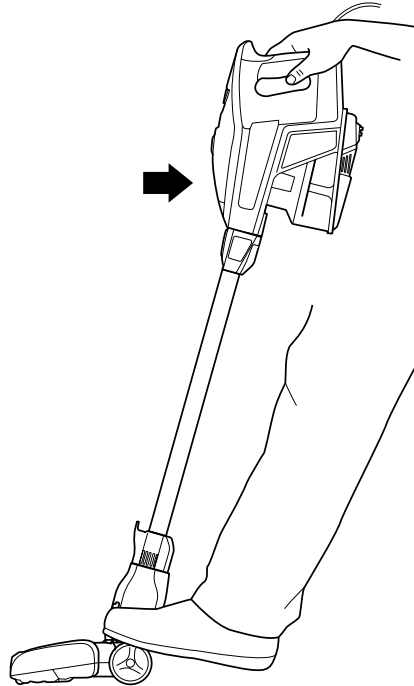
## QU'INDIQUENT LES VOYANTS LUMINEUX DE LA BROsse ROTATIVE?

### Voyant vert

La brosse rotative est fixée et fonctionne comme prévu.

### Voyant rouge

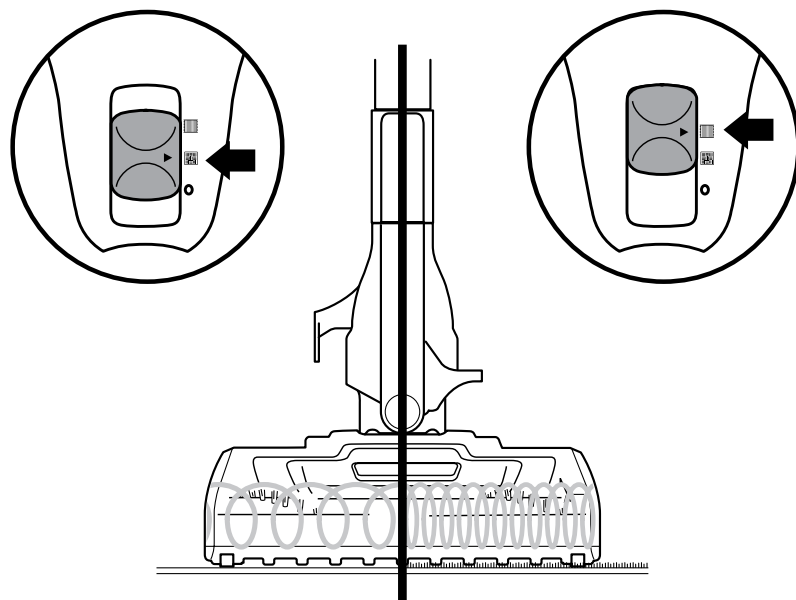
La zone de la brosse rotative est obstruée. Éteignez l'aspirateur et retirez toute obstruction.



- 1 Branchez l'appareil et penchez le tube.



# CHOISIR LA CONFIGURATION APPROPRIÉE



L'aspirateur ultra-léger Rocket® DeluxePro est muni d'un bouton curseur à 2 vitesses sur la poignée. Réglez le bouton curseur à la vitesse souhaitée, et commencez le nettoyage.

**Planchers, carpettes** – La brosse rotative tourne lentement pour nettoyer les planchers et les carpettes délicates.

**Carpettes à poils longs** – La brosse rotative tourne rapidement pour aspirer les débris incrustés dans les tapis.

**REMARQUE :** Pour un nettoyage en profondeur selon la norme ASTM F 608 (élimination des saletés incrustées dans les tapis), réglez l'appareil à Carpettes à poils longs (II).

# UTILISATION DE VOTRE ACCESSOIRE POUR PLANCHER DUST-AWAY<sup>MC</sup>

★ **IMPORTANT :** N'utilisez pas l'accessoire pour planchers à surface dure Dust-Away<sup>TM</sup> sans que le tampon en microfibre n'y soit installé.

✍ **REMARQUE :** Les deux réglages d'alimentation offrent la même puissance d'aspiration.

💡 **CONSEIL :** Vous pouvez brancher l'aspirateur portatif directement à la buse de plancher motorisée pour nettoyer les escaliers.

## ENTRETIEN DU TAMPON EN MICROFIBRE

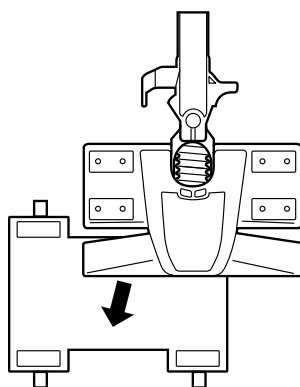
Lavez les tampons à la main ou à la machine séparément dans de l'eau chaude et avec du détergent liquide.

N'utilisez pas d'agents blanchissants ou d'adoucissants, car ils pourraient endommager les tampons ou laisser une couche de résidus qui pourrait réduire l'efficacité de nettoyage.

Faites sécher les tampons à la machine à basse température ou sur une corde pour prolonger la vie de la microfibre.

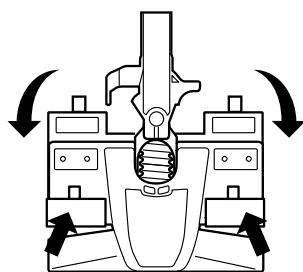
Pour obtenir de meilleurs résultats, remplacez vos tampons en microfibre chaque 3 à 4 mois.

### ÉTAPE 1



- 1 Glissez deux languettes entre la buse et la base de l'aspirateur, et fixez-les aux attaches frontales.
- 2 Tirez les deux autres languettes autour des attaches arrière. Assurez-vous que le tampon est placé à plat contre la surface

### ÉTAPE 2

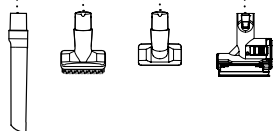


inférieure, et qu'il est fixé solidement. Ajustez le commutateur à l'un des deux réglages pour nettoyer les planchers durs. N'utilisez pas cet appareil pour nettoyer les planchers humides ou les dégâts collants ou mouillés. Utilisez les tampons fournis par Shark<sup>®</sup> seulement.

# UTILISATION DE L'ASPIRATEUR EN MODE NETTOYAGE AU-DESSUS DU SOL

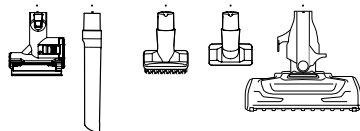
## ÉTAPE 1

## ÉTAPE 2



## ÉTAPE 1

## ÉTAPE 2



### POUR UN NETTOYAGE À LONGUE PORTÉE

- 1 Placez l'aspirateur en position verticale. Appuyez sur la pédale et tirez sur le tube pour le débrancher de la buse de plancher motorisée.
- 2 Branchez l'accessoire de nettoyage souhaité.

### POUR UN NETTOYAGE À COURTE PORTÉE

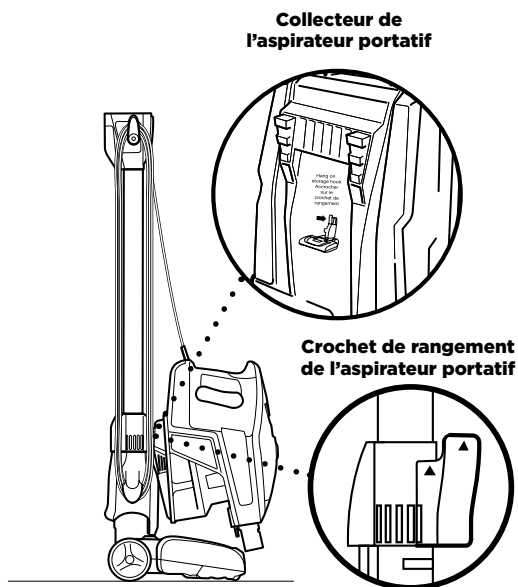
- 1 Appuyez sur le bouton de dégagement du tube situé dans la partie supérieure de ce dernier pour le débrancher de l'aspirateur portatif.
- 2 Branchez l'accessoire de nettoyage souhaité. La lumière à DEL de l'aspirateur portatif s'allume automatiquement lorsque l'appareil est en marche.

# RANGEMENT

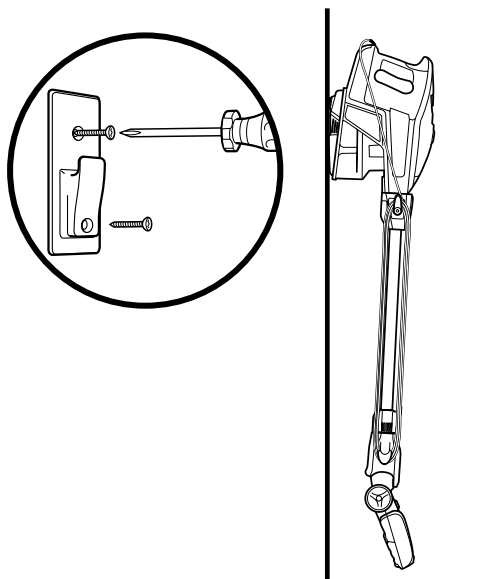
**CONSEIL :** Si votre appareil dispose d'un sac d'accessoires, vous pouvez l'accrocher au support mural avec votre aspirateur.

**CONSEIL :** Assurez-vous d'utiliser les chevilles en plastique fournies lorsque vous voulez fixer l'aspirateur à une cloison sèche. Vous pouvez également fixer les vis directement dans un goujon.

## OPTION 1



- 1 Appuyez sur le bouton de dégagement du tube situé dans la partie supérieure de ce dernier pour relâcher l'aspirateur portable. L'aspirateur portable est muni d'un collecteur à la base. Accrochez-le en utilisant le crochet situé dans la partie inférieure du tube. Enroulez le câble d'alimentation autour des deux crochets.

**OPTION 2**

- 2** Utilisez le support mural fourni. Percez deux trous de 5/16 po (8 mm), puis insérez les chevilles en plastique fournies dans le mur. Utilisez un tournevis Philips pour visser le support mural dans les chevilles en plastique. Accrochez le collecteur de la partie inférieure de l'aspirateur portatif sur le support mural.

# ACCESSOIRES

---

**REMARQUE :** Tous les accessoires ne sont pas fournis avec tous les appareils. Veuillez vous référer au guide de démarrage rapide inclus pour connaître la configuration de votre appareil.

## **A Suceur plat de 30 cm**

Utilisez le suceur plat pour nettoyer les espaces restreints, les plinthes et les plafonds.

## **C Mini brosse motorisée**

Toute la puissance d'un aspirateur vertical dans la paume de votre main. Recueille les poils d'animaux, les débris et nettoie en profondeur et avec puissance, pour retirer les phanères des meubles et surfaces. Ne peut être utilisé avec un tuyau souple.

## **E Accessoire pour plancher Dust-Away™ avec tampon en microfibre**

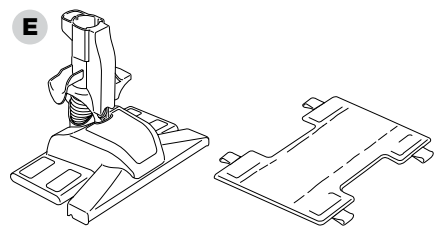
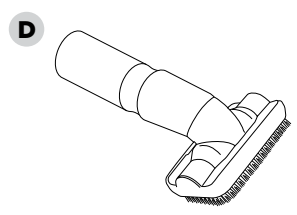
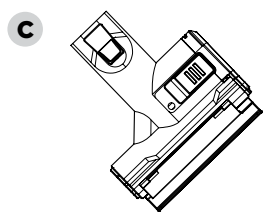
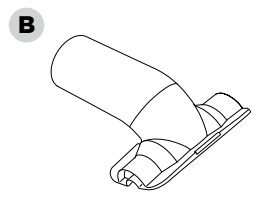
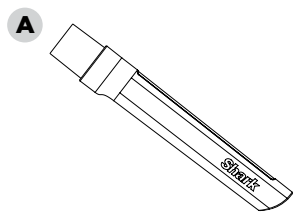
Aspiration directe pour les grosses miettes et les débris pendant que le tampon en microfibre époussette les planchers en bois et les tuiles.

## **B Accessoire pour nettoyer les tampons et les poils d'animaux**

Idéal pour retirer les poils d'animaux et la charpie des meubles et d'autres surfaces rembourrées.

## **D Brosse à épousseter**

Pour épousseter une variété de surfaces comme les étagères, les plinthes, les cadres de portes et de fenêtres, et beaucoup plus. Tournez la tête de la brosse pour ajuster l'angle en fonction de la surface à nettoyer.



# ENTRETIEN DE L'ASPIRATEUR

**AVERTISSEMENT :**  
Lavez les filtres à la main et avec de l'eau seulement afin d'éviter les dommages causés par les produits chimiques de nettoyage. Laissez TOUS les filtres sécher complètement avant de les remettre dans l'aspirateur afin d'empêcher tout contact entre l'eau et les composants électriques.

**AVERTISSEMENT :**  
Éteignez et débranchez l'appareil avant d'en effectuer l'entretien.

**★ IMPORTANT :** Nettoyez le filtre du bac à poussière, au besoin.

**✍ REMARQUE :** Videz le bac à poussière lorsque les débris atteignent la ligne de remplissage « MAX » indiquée à l'intérieur de ce dernier.

## HORAIRE RECOMMANDÉ POUR LE NETTOYAGE DES FILTRES :

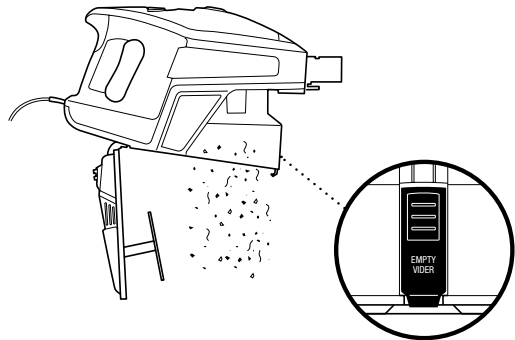
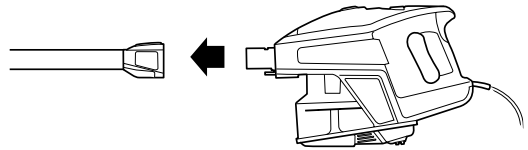
### Trousse de filtre pré-moteur

(feutre et mousse)  
XPMFK320  
Nettoyez une fois par mois.

### Filtre post-moteur

1084FTV320  
Nettoyer une fois par année.

## ÉTAPE 1



## VIDANGE DU BAC À POUSSIÈRE

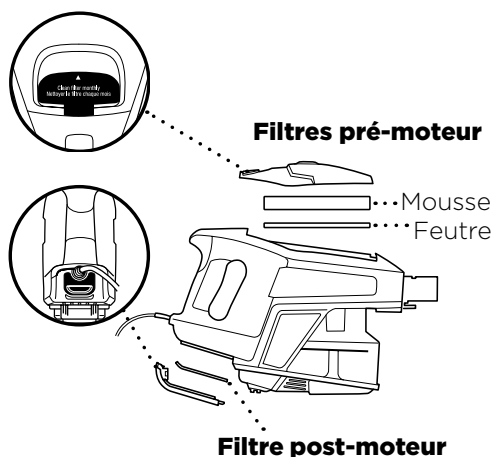
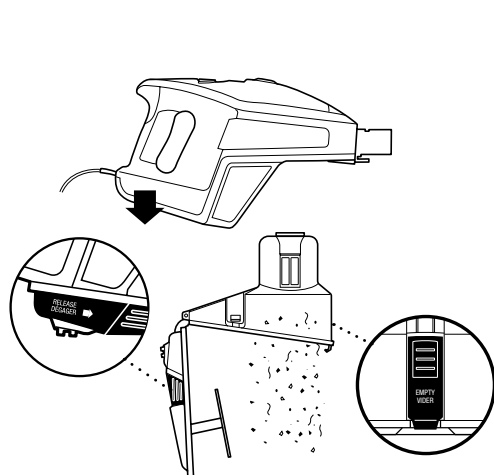
- 1 Appuyez sur le bouton de dégagement du tube situé dans la partie supérieure de ce dernier pour le débrancher de l'aspirateur portatif.

### OU

Retirez le bac à poussière de l'aspirateur portatif en appuyant simultanément sur les deux boutons de relâchement du bac à poussière sur les deux côtés de la base.



## ÉTAPE 2



- 2** Tenez le bac au-dessus d'un bac à ordures, et appuyez sur le bouton de vidange « EMPTY » situé au-devant du bac à poussière. Le couvercle inférieur s'ouvrira pour permettre au bac de se vider de ses débris.
- 3** Une fois le bac vidé, fermez le couvercle du bas, puis remettez le bac à poussière dans l'aspirateur portable jusqu'à ce qu'un déclic se fasse entendre.

## NETTOYAGE DES FILTRES

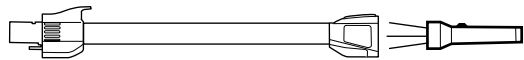
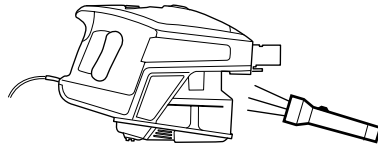
- 1** Pour accéder à la mousse du filtre pré-moteur, et aux filtres en feutre, levez le loquet qui se trouve sur l'aspirateur portable. Retirez et rincez les filtres avec de l'eau. Tapotez les filtres entre les lavages, au besoin, pour retirer la saleté. Une fois le séchage terminé, insérez d'abord le filtre en feutre, puis le filtre en mousse sur ce dernier.
- 2** Le filtre post-moteur se trouve sous la poignée. Retirez et rincez le filtre avec de l'eau.

# ENTRETIEN DE L'ASPIRATEUR

**AVERTISSEMENT :**  
**Ne pas couper des objets autres que les cheveux, les fibres ou les fils qui se trouvent sur la brosse rotative.**

**CONSEIL :** Assurez-vous que le dessous de la buse de plancher est bien fermé et verrouillé avant l'utilisation.

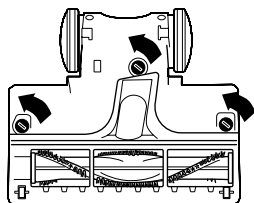
**CONSEIL :** Vous n'avez pas besoin d'outils particuliers pour ouvrir la buse de plancher; une pièce de monnaie suffit.



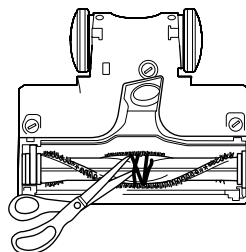
## VÉRIFICATION DE LA PRÉSENCE D'OBSTRUCTIONS : ASPIRATEUR PORTATIF ET TUBE

- 1** Retirez le tube de la partie portative et vérifiez les entrées du bac à poussière.
- 2** Retirez la buse de plancher du tube et vérifiez la présence d'obstructions dans le tube.

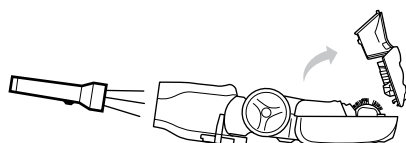
## ÉTAPE 1



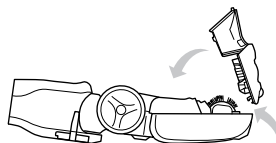
## ÉTAPE 3



## ÉTAPE 2



## ÉTAPE 4



## PARTIE INFÉRIEURE DE LA BUSE DE PLANCHER

- 1** À l'aide d'une pièce de monnaie, déverrouillez les trois verrous de la partie inférieure de la buse de plancher.
- 2** Une section de la base est amovible pour favoriser l'accès à la brosse rotative et à la conduite d'aspiration. Braquez une lampe de poche à partir de l'extrémité inférieure afin de dégager toute obstruction.
- 3** Retirez les ficelles, les fibres de tapis ou les cheveux qui pourraient être entourés autour de la brosse rotative. La pièce rotative comporte une rainure où l'on peut glisser des ciseaux afin de couper et de dégager les débris accumulés.
- 4** Pour assembler de nouveau, remplacez la base en l'alignant le long du devant de la buse. Poussez vers le bas jusqu'à ce qu'un clic se fasse entendre. Verrouillez les trois verrous.

# GUIDE DE DÉPANNAGE

---

**⚠ AVERTISSEMENT : Pour réduire les risques de décharge électrique et de mise en marche involontaire, éteignez et débranchez l'aspirateur avant tout entretien.**

**L'aspirateur ne ramasse pas la poussière. L'aspirateur ne ramasse pas la poussière ou ne l'aspire que légèrement.**

**(Consulter la section d'entretien pour plus de renseignements.)**

- Vérifiez les filtres pour voir s'ils doivent être nettoyés. Suivez les instructions de rinçage et de séchage des filtres avant de les remettre dans l'aspirateur.
- Le récipient à poussière pourrait être plein; videz-le si tel est le cas.
- Vérifiez la buse de plancher pour voir si elle est obstruée. Retirez toute obstruction, au besoin.
- Retirez les ficelles, fibres de tapis ou cheveux qui pourraient être entourés autour de la brosse rotative.

**L'aspirateur soulève les tapis de surface.**

- La succion est puissante. Faites attention lorsque vous passez l'aspirateur sur les carpettes et les tapis à bordure cousue fragile.
- Éteignez l'appareil pour désactiver la brosse rotative, et rallumez-le avec l'interrupteur coulissant.

**La brosse rotative ne tourne pas.**

- Si le voyant de l'indicateur du rouleau à brosse devient rouge, la brosse rotative a cessé de fonctionner. Éteignez l'appareil immédiatement, et débranchez-le pour retirer l'obstruction. Rebranchez l'appareil dans une prise électrique, puis rallumez l'aspirateur.
- Si le témoin lumineux de la buse de plancher s'allume en vert, cela signifie que l'obstruction a été retirée. Si le témoin continue de s'allumer en rouge, communiquez avec le service à la clientèle au 1-800-798-7398.

**L'aspirateur s'éteint de lui-même.**

Cet aspirateur est muni d'un thermostat de protection du moteur qui coupe l'alimentation de l'aspirateur lorsque celui-ci surchauffe. Dans cette éventualité, veuillez suivre les étapes suivantes pour redémarrer le thermostat de protection du moteur :

1. Éteignez l'aspirateur et débranchez-le.
2. Videz le récipient à poussière et nettoyez les filtres (consultez la section Entretien).
3. Vérifiez s'il y a des obstructions dans le boyau, dans les accessoires et dans les orifices d'entrée.
4. Laissez refroidir l'appareil pendant au moins 45 minutes.
5. Branchez l'aspirateur et mettez-le en marche.

# Shark NINJA GARANTIE LIMITÉE DE CINQ (5) ANS

La garantie limitée de 5 ans s'applique aux achats effectués auprès de détaillants autorisés de **SharkNinja Operating LLC**. La garantie s'applique uniquement au premier propriétaire et au produit original et n'est pas transférable.

SharkNinja garantit ce produit contre toute défectuosité de matériau ou de main-d'œuvre pour une période de 5 ans à compter de la date d'achat, dans le cadre d'un usage domestique normal et si le produit est entretenu conformément aux exigences décrites dans ce mode d'emploi, sujet aux conditions et aux exclusions ci-dessous.

## Que couvre la garantie?

1. L'appareil d'origine ou les composantes inusables considérées comme défectueuses, à la seule discrétion de SharkNinja, seront réparés ou remplacés pour 5 ans à compter de la date d'achat initiale.
2. Dans les rares cas où un appareil est remplacé, la garantie prendra fin six mois après la date de réception de l'appareil de remplacement ou pendant le reste de la période de garantie existante, selon la période la plus longue. Si l'appareil est remplacé, SharkNinja se réserve le droit de le remplacer par un appareil de valeur égale ou supérieure.

## Qu'est-ce qui n'est pas couvert par la garantie?

Nos spécialistes de produits ou du Service à la clientèle sont à votre disposition pour vous fournir toutes les options du service de la garantie offertes, y compris la possibilité de l'améliorer et de choisir nos options de garantie de service VIP disponibles pour certaines catégories de produits.

1. L'usure normale des pièces comme les filtres mousse, les filtres HEPA, les tampons, etc., qui nécessitent un entretien régulier ou un remplacement périodique afin d'assurer le bon fonctionnement de votre appareil, n'est pas couverte par cette garantie.
2. La garantie ne s'applique pas aux appareils utilisés de façon abusive ou à des fins commerciales.
3. SharkNinja assumera les frais de retour de l'appareil à nos sites par le consommateur en vue de la réparation ou du remplacement de l'appareil. Un montant de 19,95 \$ (sujet à modification) pour les frais de retour de l'appareil réparé ou remplacé sera facturé au moment de son expédition.
4. Dommages causés par un mésusage, un abus ou une manipulation sans précaution en cours d'utilisation, ou dommages causés par une manipulation inadéquate en cours de transport.
5. Dommages indirects et accessoires.
6. Défectuosités causées par ou découlant de dommages lors de l'expédition ou des réparations, d'un entretien ou d'une modification du produit ou de toute pièce de celui-ci, effectués par un réparateur non autorisé par SharkNinja.
7. Produits achetés ou utilisés à l'extérieur de l'Amérique du Nord.

## Problèmes avec l'appareil/Comment obtenir un service

Si votre appareil ne fonctionne pas comme il le devrait lors d'un usage domestique normal pendant la période de garantie, consultez le site [sharkclean.com](http://sharkclean.com) pour obtenir des informations au sujet de l'entretien du produit que vous pouvez effectuer vous-même. Pour obtenir de l'assistance avec les options du service de la garantie ou avec le produit, veuillez appeler notre service à la clientèle et nos spécialistes de produits au 1 800 798-7398.

## Comment présenter une demande de service sous garantie

Vous pouvez composer le 1 800 798-7398 pour demander l'aide d'un spécialiste du service à la clientèle. Veuillez noter que vous devez téléphoner au 1 800 798-7398 pour soumettre une réclamation au titre de la garantie. Les directives d'emballage et de retour de l'appareil vous seront fournies à ce moment-là.

Pour connaître les heures d'ouverture du service à la clientèle, consultez le site à l'adresse suivante : [sharkclean.com](http://sharkclean.com)

Vous pouvez faire l'achat de pièces de rechange par l'entremise du site [sharkclean.com](http://sharkclean.com). Pour obtenir plus de renseignements concernant les pièces qualifiées comme pièces d'usure et inusables, veuillez consulter le site [sharkclean.com/warranty](http://sharkclean.com/warranty)

Cette garantie vous accorde des droits spécifiques légaux et vous pouvez aussi bénéficier d'autres droits qui varient d'une province ou d'un État à l'autre.

Certains États américains ou certaines provinces canadiennes n'acceptent pas l'exclusion ou la limitation de dommages accessoires ou indirects, ce qui fait que cette disposition peut ne pas s'appliquer à votre cas.







**SharkNinja Operating LLC**  
**US: Needham, MA 02494**  
**CAN: Ville St-Laurent, QC H4S 1A7**  
**1-800-798-7398**  
**sharkclean.com**

Illustrations may differ from actual product. We are constantly striving to improve our products; therefore the specifications contained herein are subject to change without notice.

SHARK and ROCKET are registered trademarks of SharkNinja Operating LLC.

DUST-AWAY is a trademark of SharkNinja Operating LLC.

For SharkNinja U.S. Patent information, visit [sharkninja.com/USPatents](http://sharkninja.com/USPatents).

**SharkNinja Operating LLC**  
**É.-U. : Needham, MA 02494**  
**CAN : Ville St-Laurent, QC H4S 1A7**  
**1-800-798-7398**  
**sharkclean.com**

Les illustrations peuvent différer du produit réel. Nous tentons constamment d'améliorer nos produits; par conséquent, les spécifications indiquées dans le présent guide peuvent être modifiées sans préavis.

SHARK et ROCKET sont des marques déposées de SharkNinja Operating LLC.

DUST-AWAY est une marque déposée de SharkNinja Operating LLC.

Pour obtenir de l'information sur les brevets de SharkNinja aux É.-U., visitez [sharkninja.com/USPatents](http://sharkninja.com/USPatents).

