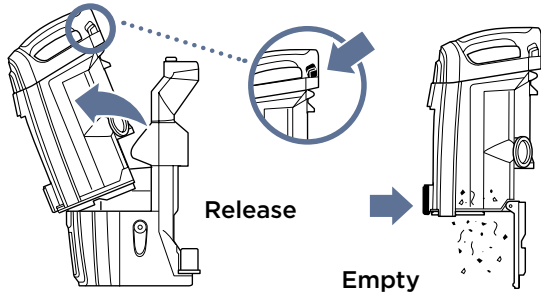


MAINTENANCE

Empty dust cup after each use



Filter Maintenance

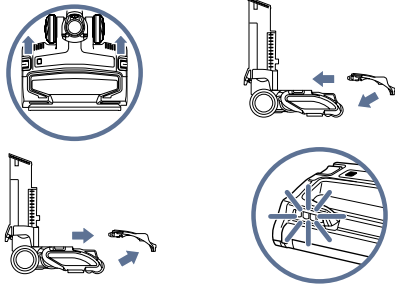
Wash filters to keep the suction strong.

Rinse filters and allow to air-dry completely. Tap loose dirt from foam filters as needed between washes.

See enclosed Owner's Guide for complete details on removing and cleaning filters.

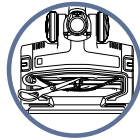
Access brushroll and Soft Roller

Open the brushroll lid by sliding back the release buttons. To close, insert the tabs on the lid into the slots on the nozzle, then press down both sides. If the lid isn't completely closed, the headlights will flash.



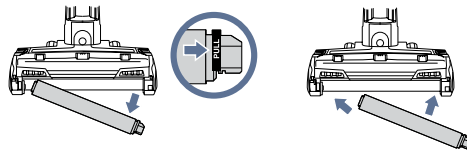
Brushroll Maintenance

Run scissors along the guide on the brushroll to remove any string, hair, or debris.



Soft Roller Maintenance

Lift out the Soft Roller by pulling the tab on the right side. Clear away any debris, then slide the Soft Roller back into place.



Shark

For questions or to register your product, contact us at
800-798-7398 or visit us online at sharkclean.com



@sharkcleaning

©2018 SharkNinja Operating LLC. DUOCLEAN, LIFT-AWAY, POWERED LIFT-AWAY, and SHARK are registered trademarks of SharkNinja Operating LLC. APEX and MULTIFLEX are trademarks of SharkNinja Operating LLC.
QU922Q_QSG_Mv2

Please be sure to read the enclosed Shark® Owner's Guide prior to using your vacuum.

duo clean®

Shark APEX™

POWERED LIFT-AWAY® **SPEED**

QUICK START GUIDE

Use this Quick Start Guide to start using your new vacuum's great features.

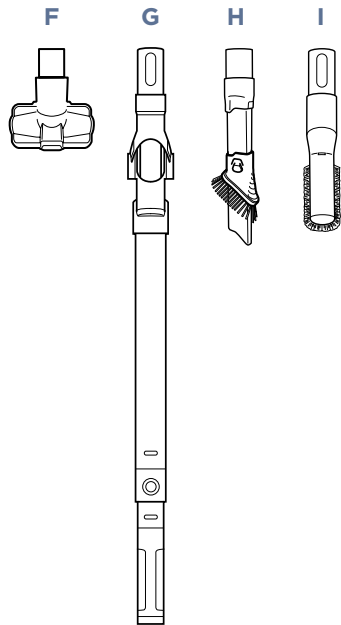
Register your vacuum at registeryourshark.com

QU922Q SERIES



WHAT'S INSIDE:

- A Handle
- B Hose
- C Vacuum Pod
- D Wand
- E DuoClean® Floor Nozzle
- F Pet Multi-Tool
- G MultiFLEX™ Under Appliance Wand
- H Duster Crevice Tool
- I Anti-Allergen Dust Brush

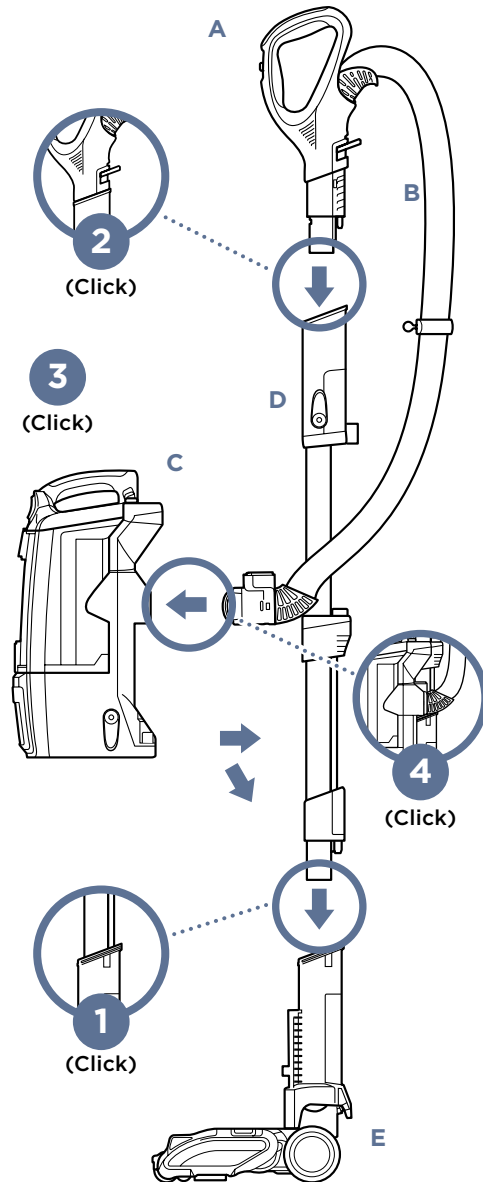


1. Insert wand into floor nozzle.
2. Insert handle into wand.
3. Place pod onto wand.
Slide down to connect.
4. Press hose into back of pod.

For complete instructions, see the enclosed Owner's Guide.

For additional parts and accessories, visit sharkaccessories.com

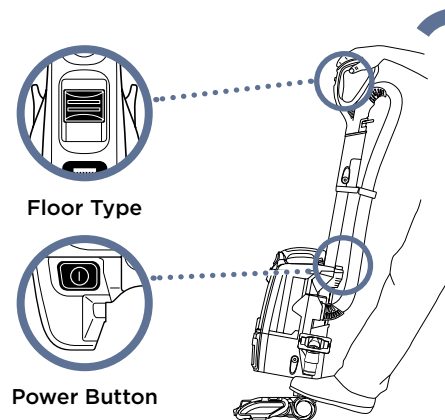
ASSEMBLY



VERSATILE FLOOR-TO-CEILING CLEANING

UPRIGHT MODE

Place your foot gently on the floor nozzle and tilt the handle back. Choose floor type and press power button.

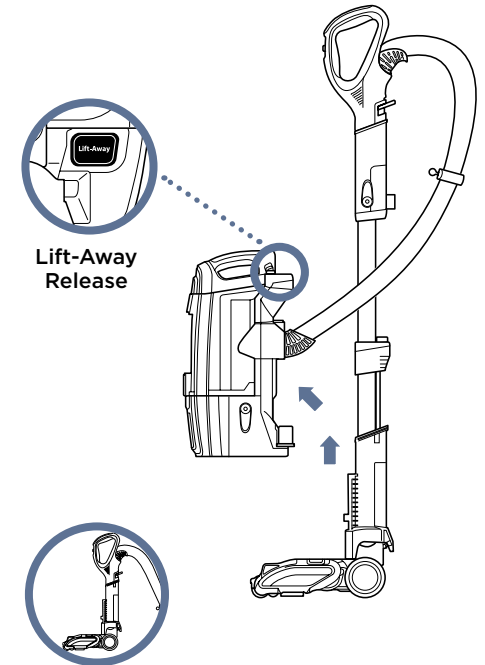


- Hard Floor:** Gentle on bare floors and delicate area rugs.
- Carpet / Low Pile:** Optimized brushroll speed and suction for carpets.
- Thick Carpet / Area Rug:** Optimized brushroll speed and suction for thick carpets and delicate area rugs.

NOTE: For deep cleaning per ASTM F 608 (embedded dirt in carpet) please use in Carpet/Low Pile mode.

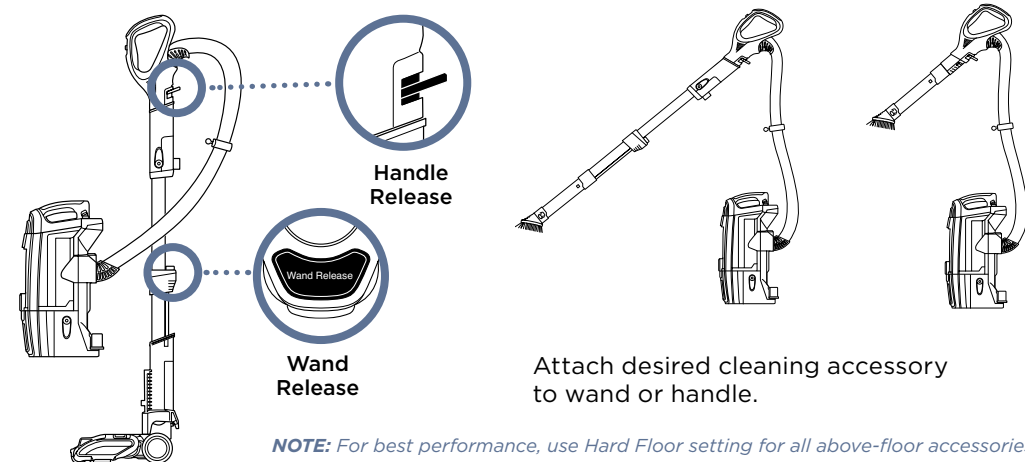
POWERED LIFT-AWAY® MODE

Press Lift-Away Release button to lift pod off wand to clean hard-to-reach places.



NOTE: See below for wand and handle release instructions.

ABOVE-FLOOR CLEANING IN LIFT-AWAY® MODE



Attach desired cleaning accessory to wand or handle.

NOTE: For best performance, use Hard Floor setting for all above-floor accessories.