

Shark[®] StainStriker[™]

PX200C Series



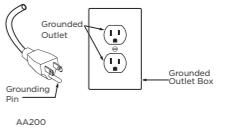
IMPORTANT SAFETY INSTRUCTIONS - FOR HOUSEHOLD USE ONLY

⚠ WARNING

To reduce the risk of fire, electric shock, injury, or property damage:

- Do not put any object into openings. Do not use with any opening blocked; keep free of dust, lint, hair, and anything that may reduce air flow.
- DO NOT** modify the plug provided with the appliance. If the grounded plug does not fit fully into the outlet, reverse the plug. If it still does not fit, contact qualified electrician.
- DO NOT** force into outlet or try to modify it.
- DO NOT** pull, close door, or wrap around sharp edges or corners on the cord. To unplug, grasp the plug, not the cord. Keep cord away from heated surfaces.
- To reduce the risk of fire or electric shock due to internal component damage, use **ONLY** Shark CarpetXpert/StainStriker formula in the correct tanks, as intended for use with this appliance. See Instructions below.
- The areas around where you are cleaning may become wet, use care to avoid slipping and falling.
- Use care when removing and reattaching the hand tool to the Spot Cleaner to avoid accidental activation of the cleaning solution.
- DO NOT** spray solution on your skin or in your eyes.
- DO NOT** fill solution tanks while installed on the appliance. Remove before filling.
- DO NOT** operate if there is any wetting of the exterior surfaces of the appliance. If the appliance is wet, dry with a cloth before use.
- To reduce the risk of shock and unintended operation, turn off and unplug Spot Cleaner before any adjustment, cleaning, maintenance, or troubleshooting.
- Before each use, carefully inspect each part for damage or wear. If a part is damaged or worn out, immediately discontinue use. **DO NOT** use if any part is damaged or if Spot Cleaner is not working as it should, has been dropped, left outdoors, or dropped into water.
- DO NOT** immerse or spray water on the body of the Spot Cleaner. To clean the surface, wipe with a dry cloth.
- DO NOT** allow to be used by children or as a toy. Close supervision is necessary when used near children.
- DO NOT** handle plug or Spot Cleaner with wet hands.
- DO NOT** use without the dirty water tank, clean solution tank, or filter in place.
- Use only identical replacement parts. Only use Shark[®] branded filters and accessories.
- If plugging unit into extension cord, ensure cord is no more than 50' to prevent damage to the motor.
- DO NOT** place Spot Cleaner on uneven surfaces.
- DO NOT** use to pick up:
 - Large objects
 - Hard or sharp objects (glass, nails, screws, or coins)
 - Large quantities of dust (e.g., drywall dust).
 - Smoking or burning objects (hot coals, cigarette butts, or matches)
 - Flammable or combustible materials (lighter fluid, gasoline, or kerosene)
 - Toxic materials (chlorine bleach, ammonia, or drain cleaner)
- DO NOT** use the following areas:
 - Poorly lit areas
 - Outdoor areas
 - Spaces that are enclosed and may contain explosive or toxic fumes or vapors (lighter fluid, gasoline, kerosene, paint, paint thinners, mothproofing substances, or flammable dust).
- Do not leave appliance when plugged in. Unplug from outlet when not in use and before servicing.
- Keep hair, loose clothing, fingers, and all parts of the body away from openings and moving parts.
- Use extra care when cleaning on stairs.
- GROUNDING INSTRUCTIONS:** This appliance must be grounded.

If it should malfunction or break down, grounding provides a path of least resistance for electric current to reduce the risk of electric shock. This appliance's cord has an equipment-grounding conductor and a grounding attachment plug. This appliance is for use on a nominal 120V circuit. Make sure that the appliance is connected to an outlet with the same configuration as the plug that is properly installed and grounded in accordance with all local codes and ordinances. No adapter should be used with this appliance.

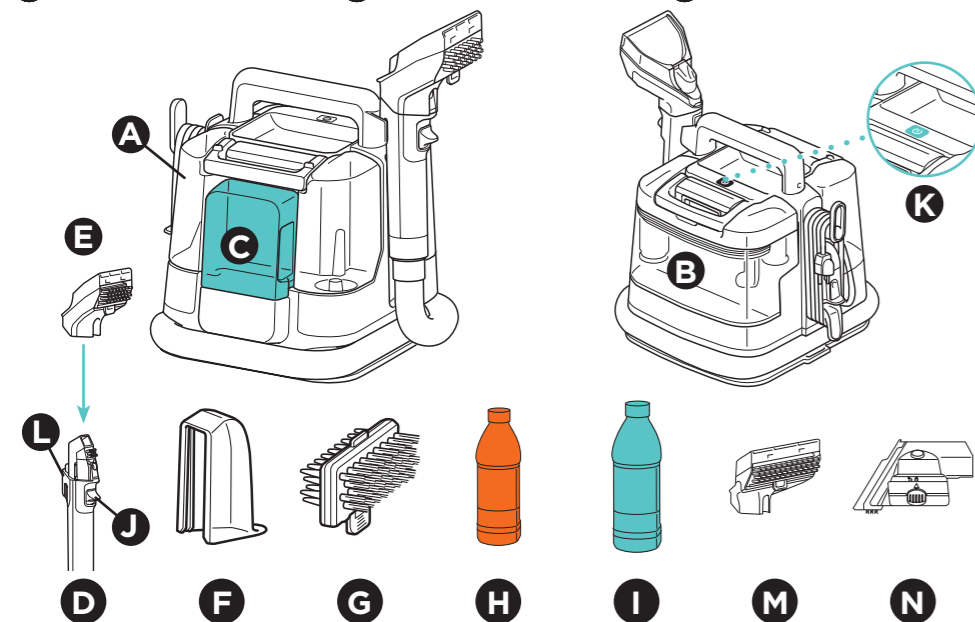


- Do not store unit where temperatures reach freezing levels to avoid damaging internal parts.
- First aid: Keep out of reach of children. Causes skin and serious eye irritation. If in eyes, rinse continuously with water for several minutes. Remove contact lenses if present and easy to do so. Continue rinsing. If on skin, wash with soap and water. If skin and eye irritation persists, seek medical attention.
- Please recycle container. Dispose of contents/container with licensed waste disposal site in accordance with the requirements of the local waste disposal authority. Do not dispose in drains or watercourses in concentrate form.

SAVE THESE INSTRUCTIONS. READ ALL INSTRUCTIONS BEFORE USING THIS SPOT CLEANER.

PARTS

- | | | |
|----------------------------|---------------------------------------|------------------------|
| A CarpetXpert Tank | F Hose-Cleaning Tool | J Spray Trigger |
| B Dirty Water Tank | G Reversible Bristles | K Power Button |
| C StainStriker Tank | H 6 oz. Deep Clean Pro Formula | L Detach Button |
| D Crevice Tool | I 12 oz. OXY Multiplier | M 7" Hand Tool |
| E 3.5" Hand Tool | | N Pet Mess Tool |



Crevice Tool - Best for removing stains in tight spaces and spraying directly on the stain.

3.5" Hand Tool - Excellent for cleaning small stain areas on carpet and upholstery.

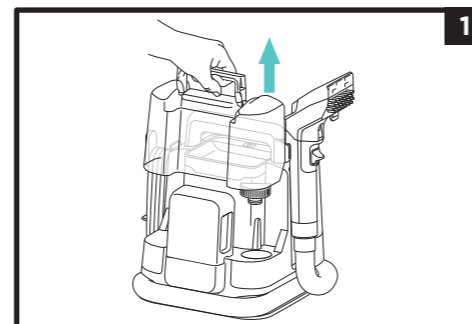
7" Hand Tool - Great for cleaning larger stain areas.

Pet Mess Tool - Collects pet messes and keeps them out of the interior of the unit.

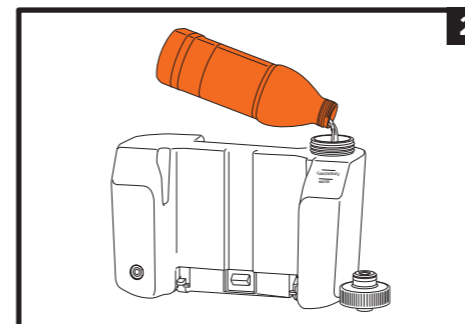
NOTE: Not all accessories come with all units. Tools may vary by model. For additional accessories available, please visit sharkaccessories.ca

GETTING STARTED WITH YOUR SPOT CLEANER

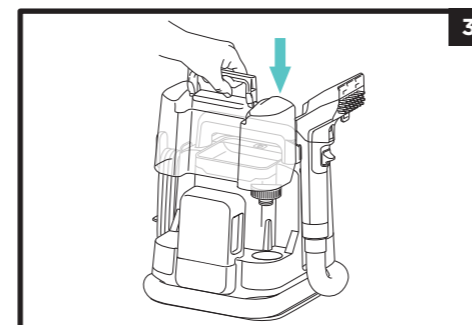
IMPORTANT: Vacuum with traditional vacuum cleaner first before using Spot Cleaner.



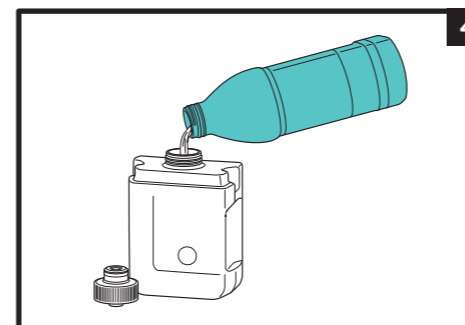
- Lift CarpetXpert Tank by the handle to detach it, then remove the cap.



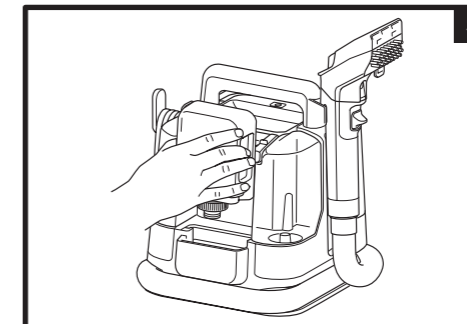
- Add water to the CarpetXpert Tank up to the Water fill line. Then add Shark Deep Clean Pro Formula to the Concentrate fill line. Do not use water hotter than 140°F (60°C).



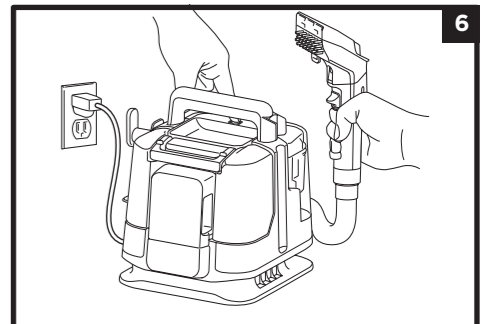
- Reattach the cap, then reinstall the tank until it clicks into place.



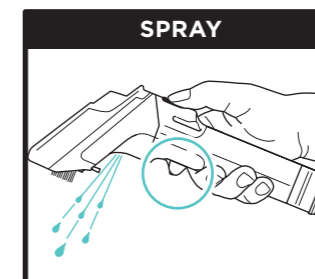
- Lift StainStriker Tank by its sides to remove it, and fill with Shark OXY Multiplier. Replace the cap and tighten it.



- Reinstall the StainStriker tank until it clicks into place.

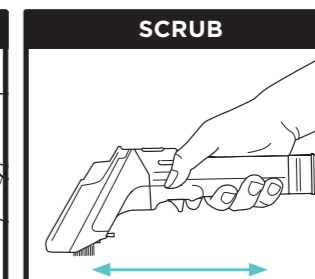


- Attach hand tool of your choice to the crevice tool. Plug the power cord into an electrical outlet and unwrap the hose. Turn ON unit to begin cleaning. Combining both formulas will give you the best stain removal results.



IMPORTANT: Follow the Stain Guide located on the hand tool. To avoid longer dry times, do not over-spray.

For wet stains, turn on the power and vacuum up the liquid mess, then spray the stain area. Scrub the stain with the bristles, then tilt the hand tool forward and drag it across the stain area to extract liquid. Repeat if needed.



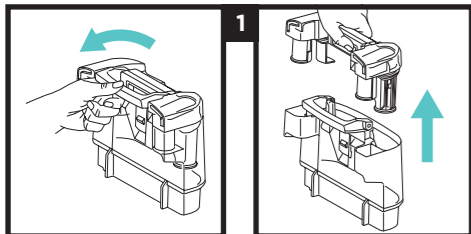
For dry stains, turn on the power and scrub the stain with the bristles to extract liquid, then spray the stain area. Scrub the stain again, then tilt the hand tool forward and drag it across stain area to extract. Repeat if needed.

Tips

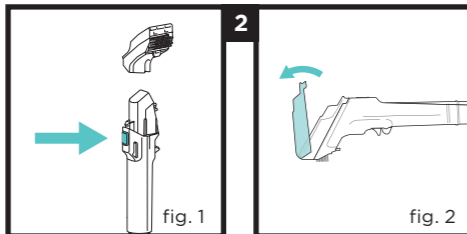
- Use the rubber side of the reversible bristles to clean softer fabrics.
- To rinse carpet or upholstery after cleaning, remove or empty the StainStriker tank and fill the CarpetXpert tank with water **ONLY** before spraying.

Tip: For smaller stains, use the 3.5" Hand Tool attachment. For larger areas, use the 7" Hand Tool.

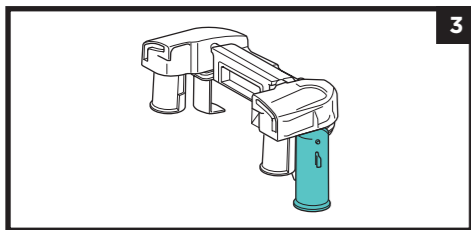
MAINTENANCE



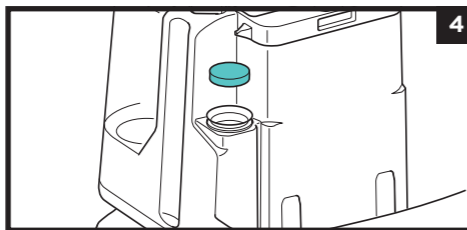
1. When the Dirty Water Tank is full, there will be a change in sound as the float valve closes. Switch off the unit and detach the tank, making sure to keep it upright to prevent spills. Pull the handle back, then lift off the lid. Pour out the contents into a sink or toilet.



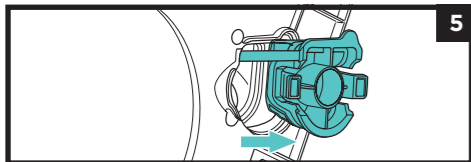
2. Remove the hand tool from the hose by pressing the Detach Button (fig. 1). To clean the airpath in the tool, open the cover (fig. 2). Aim the hand tool into a sink or toilet and press the spray trigger to release remaining pressure.



3. Clean the float valve by rinsing with water under a tap. Make sure it can move freely.



4. Remove the Dirty Water Tank. Clear off any debris from the foam filter by rinsing it under a faucet. Allow the filter to air-dry completely, then reinstall it.



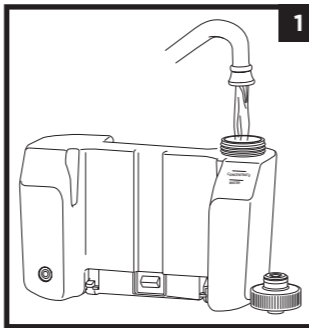
5. To clear any clogged debris at the end of the hose, open the hose clog door on the bottom of the unit. Clear all debris, then close the door.

NOTE: Clean unit after every use to avoid odors, bacteria, and mold.

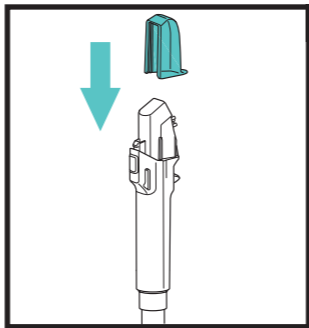
TROUBLESHOOTING

Problem	Solution
Inconsistent spray or no spray	Ensure there is cleaning formula in the CarpetXpert tank. Make sure the CarpetXpert tank is installed correctly. Make sure the unit is plugged in and the power is on.
Low suction or no suction	Make sure the dirty water tank is not overfilled. Check the clog access door and clear any debris trapped inside at the end of the hose. If a cleaning tool is attached, make sure it is connected correctly. Remove any debris from the cleaning attachments. Make sure the dirty water tank is installed correctly.
Unit not turning on	Make sure the unit is plugged in completely. Try a different outlet. Make sure the On/Off switch is turned on.
Liquid leaking from unit	The dirty water tank may be overfilled. Make sure the dirty water tank and the formula tank are both installed correctly. Make sure the float valve in the dirty water tank is not stuck. Make sure the unit is on a stable, flat surface. Make sure the hose clog door is closed completely underneath the unit.
Solution tank leaking	Make sure the cap on the CarpetXpert tank is tightened fully. Make sure the CarpetXpert tank is installed correctly and that the valve is in the tank.
Leaking from hand tool	Ensure inside of Hand Tool or Pet Mess Tool is thoroughly clean.
Tanks not dispensing liquid	Ensure CarpetXpert tank and StainStriker tank are both installed correctly. Note: Tanks dispense at different rates. CarpetXpert tank will run out of solution before the StainStriker Tank.

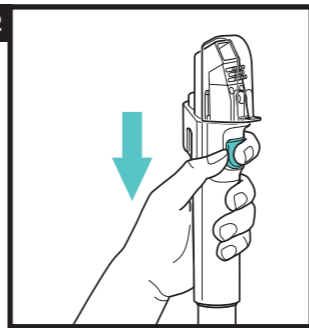
CLEANING THE HOSE



1. Make sure the unit is turned off and remove the CarpetXpert Tank. Fill tank with water up to the Water fill line. Tip: Add Deep Clean Pro to eliminate odor.

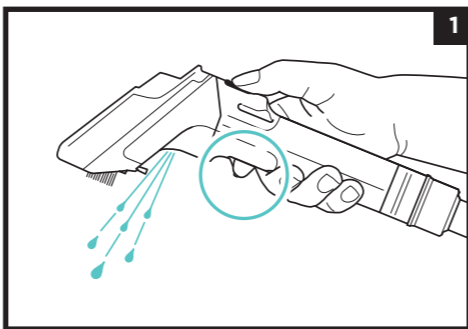


2. Securely attach the Hose-Cleaning Tool to the

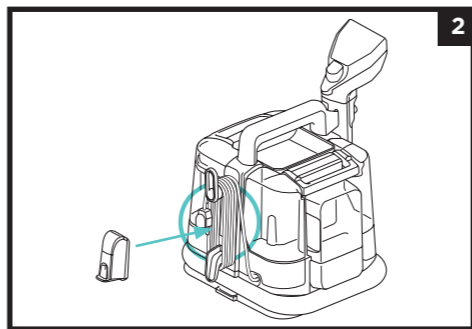


Crevice Tool and turn ON power. Pull the trigger and cleaning solution will be sucked into the hose to clean the interior.

STORAGE



1. Before storing, follow Maintenance and Cleaning Instructions above. Be sure to release all pressure from the hand tool by placing it over a sink or toilet and pressing the spray trigger until all liquid has been released. Lay out all attachments to dry.



2. Once dry, reattach all tools. Wrap up the power cord, then store the hose-cleaning tool on the unit. Wrap the hose around the base of the unit and store the hand tool in its holder.

THREE-YEAR LIMITED WARRANTY

The Three (3) Year Limited Warranty applies to purchases made from authorized retailers of **SharkNinja Operating LLC**. Warranty coverage applies to the original owner and to the original product only and is not transferable.

SharkNinja warrants that the unit shall be free from defects in material and workmanship for a period of three (3) years from the date of purchase when it is used under normal household conditions and maintained according to the requirements outlined in the Owner's Guide, subject to the following conditions and exclusions:

What is covered by this warranty?

- The original unit and/or non-wearable parts deemed defective, in SharkNinja's sole discretion, will be repaired or replaced up to three (3) years from the original purchase date.
- In the event a replacement unit is issued, the warranty coverage ends six (6) months following the receipt date of the replacement unit or the remainder of the existing warranty, whichever is later. SharkNinja reserves the right to replace the unit with one of equal or greater value.

What is not covered by this warranty?

- Normal wear and tear of wearable parts which require regular maintenance and/or replacement to ensure the proper functioning of your unit, are not covered by this warranty. Replacement parts are available for purchase at sharkaccessories.ca.
- Any unit that has been tampered with or used for commercial purposes.
- Damage caused by misuse, abuse, negligent handling, failure to perform required maintenance (e.g., not cleaning the filters or not removing debris from the hand tool or hose), or damage due to mishandling in transit.
- Consequential and incidental damages.
- Defects caused by repair persons not authorized by SharkNinja. These defects include damages caused in the process of shipping, altering, or repairing the SharkNinja product (or any of its parts) when the repair is performed by a repair person not authorized by SharkNinja.
- Products purchased, used, or operated outside North America.

How to get service

If your appliance fails to operate properly while in use under normal household conditions within the warranty period, visit sharkclean.com/support for product care and maintenance self-help. Our Customer Service Specialists are also available at **1-800-798-7398** to assist with product support and warranty service options, including the possibility of upgrading to our VIP warranty service options for select product categories. So we may better assist you, please register your product online at registeryourshark.com and have the product on hand when you call.

SharkNinja will cover the cost for the customer to send in the unit to us for repair or replacement. A fee of \$25.95 (subject to change) will be charged when SharkNinja ships the repaired or replacement unit.

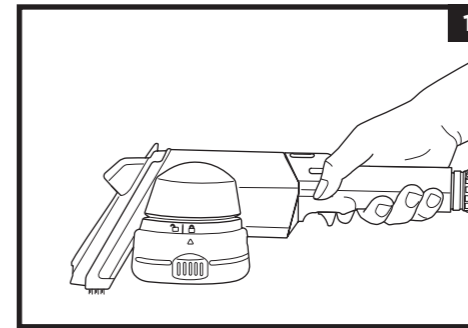
How to initiate a warranty claim

You must call **1-800-798-7398** to initiate a warranty claim. You will need the receipt as proof of purchase. We also ask that you register your product online at registeryourshark.com and have the product on hand when you call, so we may better assist you. A Customer Service Specialist will provide you with return and packing instruction information.

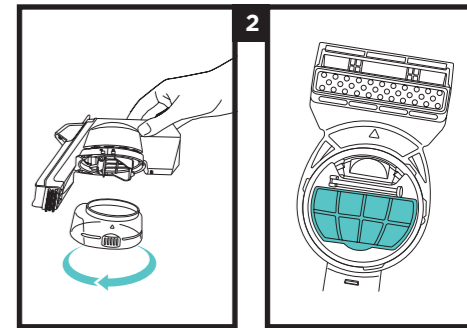
How state law applies

This warranty gives you specific legal rights, and you also may have other rights that vary from state to state. Some states do not permit the exclusion or limitation of incidental or consequential damages, so the above may not apply to you.

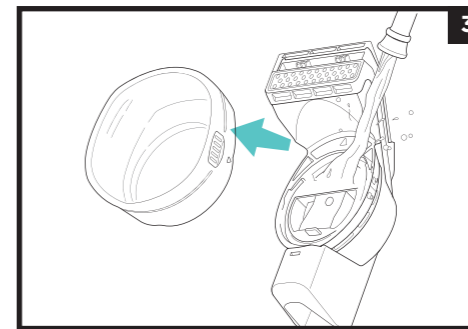
PET MESS TOOL



1. The Pet Mess Tool is designed to tackle pet messes while keeping debris and liquid out of the interior of the Spot Cleaner. (Pet Mess Tool not included with some units. To order tools, visit sharkaccessories.ca.) To use the Pet Mess Tool, attach it to the crevice tool, then spray the stain area. Scrub the stain gently to extract pet stains and messes. Make sure to keep the cup upright to avoid spills.



2. Empty the cup after every use or when debris in the cup reaches the MAX fill line. To empty, first turn off power, then rotate the cup clockwise and lift it off the tool. Empty the cup into sink or trash. To clean the mesh filter, pull it out, removing the left side first.



3. After each use, rinse the Pet Mess Tool and all parts (cover, rubber bristles, mesh filter, and cup) with soap and water. Allow all parts to air-dry completely before reassembling. When reinstalling the filter, make sure it clicks into place. Rotate the cup to the locked position before using again.

Note: The Pet Mess Tool holds 6 oz. of liquid and debris up to the MAX fill line. Do not overfill. If overfilled, liquid mess will enter the hose and the Spot Cleaner. Use the Hose-Cleaning Tool to eliminate odors.

Note: The Pet Mess Tool is not intended to clean pet hair.

Note: If your unit did not come with a Pet Mess Tool, use the 3.5" hand tool with the rubber bristles and follow Stain Guide.

CLEANING FORMULAS



Deep Clean Pro Formula

The best deep carpet cleaning formula for removing dirt & grime.



OXY Multiplier

The best tough stain-eliminating formula for those stubborn stains and odors.

TECHNICAL SPECIFICATIONS

PX200C Series: 120V, 60Hz, 3.3A

RECORD THIS INFORMATION

Model Number: _____

Date of Purchase: _____
(Keep receipt)

Store of Purchase: _____

© 2023 SharkNinja Operating LLC.
Needham, MA 02494/Ville St. Laurent, Québec H4S 1A7
1-800-798-7398
sharkclean.com

SHARK is a registered trademark of SharkNinja Operating LLC. STAINSTRIKER is a trademark of SharkNinja Operating LLC. This product may be covered by one or more U.S. patents. See sharkninja.com/patents for more information.

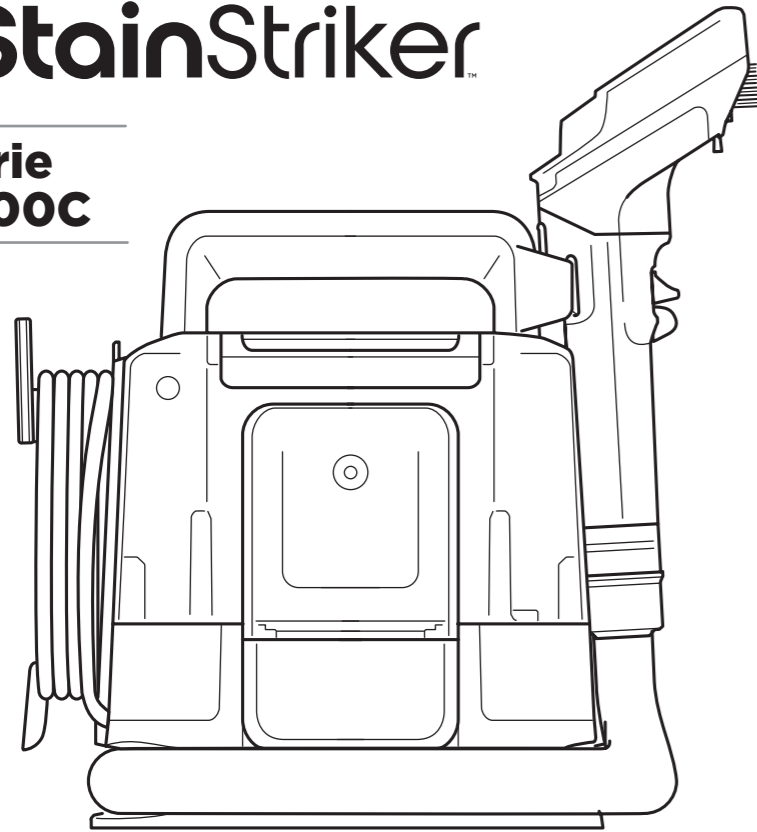
Illustrations may differ from actual product.



PX200C Series_IB_E_F_MP_Mv6

Shark® StainStriker™

Série
PX200C



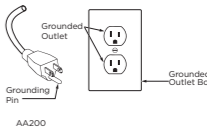
CONSIGNES DE SÉCURITÉ IMPORTANTES - POUR UN USAGE DOMESTIQUE UNIQUEMENT

⚠ AVERTISSEMENT Pour réduire les risques d'incendie, d'électrocution, de blessures ou de dommages matériels :

- N'insérez pas d'objets dans les ouvertures. N'utilisez pas l'appareil si l'une des ouvertures est obstruée; gardez les ouvertures libres de poussière, de peluches, de cheveux ou de toute autre chose pouvant réduire la circulation d'air.
- Ne modifiez **PAS** la fiche fournie avec l'appareil. Si la fiche avec mise à la terre ne s'insère pas à fond dans la prise, essayez dans l'autre sens. Si le problème persiste, contactez un électricien qualifié.
- Ne forcez **PAS** la fiche dans la prise ou n'essayez pas de la modifier pour l'adapter.
- Veillez À NE PAS** tirer le cordon, fermer une porte sur le cordon ou enrouler le cordon autour de rebords acérés ou de coins. Pour débrancher l'appareil, saisissez la fiche et non le cordon. Gardez le cordon loin des surfaces chauffées.
- Pour réduire les risques d'incendie ou de décharge électrique causés par des dommages aux composants internes, utilisez **UNIQUEMENT** la formule CarpetXpert/StainStriker de Shark dans les réservoirs appropriés, comme prévu pour cet appareil. Voir les instructions ci-dessous.
- Les zones où vous nettoyez peuvent devenir humides; faites attention pour éviter de glisser et de tomber.
- Faites preuve de prudence lorsque vous retirez et remettez en place l'accessoire à main du nettoyeur de taches afin d'éviter l'activation accidentelle de la solution de nettoyage.
- Ne vaporisez **PAS** de solution sur votre peau ou dans vos yeux.
- Ne remplissez **PAS** les réservoirs de solution lorsqu'ils sont installés sur l'appareil. Retirez les réservoirs avant de les remplir.
- N'utilisez **PAS** l'appareil si ses surfaces extérieures sont mouillées. Si l'appareil est mouillé, séchez-le avec un linge avant de l'utiliser.
- Pour réduire les risques de décharge électrique et de fonctionnement involontaire, éteignez et débranchez le nettoyeur de taches avant tout réglage, nettoyage, entretien ou dépannage.
- Avant chaque utilisation, vérifiez soigneusement qu'aucune pièce n'est endommagée ou usée. Si une pièce est endommagée ou usée, cessez immédiatement l'utilisation. **N'UTILISEZ PAS** le nettoyeur de taches s'il ne fonctionne pas comme il le devrait, ou s'il est tombé, a été endommagé, est resté à l'extérieur ou est tombé dans l'eau.
- N'IMMERGEZ PAS** le nettoyeur de taches et ne vaporisez pas d'eau sur son boîtier. Pour le nettoyer, essuyez-le avec un chiffon sec.
- Ne permettez **PAS** qu'il soit utilisé par des enfants ou comme un jouet. Une surveillance étroite est nécessaire lorsqu'il est utilisé en présence d'enfants.
- NE MANIPULEZ PAS** la fiche ou le nettoyeur de taches avec les mains mouillées.
- N'UTILISEZ PAS** l'appareil sans que le réservoir d'eau sale, le réservoir de solution nettoyante ou le filtre ne soient en place.
- Utilisez uniquement des pièces de rechange identiques. Utilisez uniquement des filtres et des accessoires de marque Shark®.
- Afin de prévenir les dommages au moteur, si vous branchez l'appareil dans une rallonge, assurez-vous que la rallonge n'est pas d'une longueur supérieure à 15 m (50 pi).
- Ne **POSEZ PAS** le nettoyeur de taches sur des surfaces instables.

- N'UTILISEZ PAS** le nettoyeur de taches pour aspirer :
 - Des objets de grande taille
 - Des objets durs ou tranchants (verre, dous, vis ou pièces de monnaie)
 - De grandes quantités de poussière (p. ex., poussière de cloison sèche)
 - Des objets fumants ou brûlants (charbons ardents, mégots de cigarettes, allumettes)
 - Des matières inflammables ou combustibles (essence à briquet, essence ou kérosène)
 - Des matières toxiques (eau de Javel, ammoniac ou produit débouchant)
- N'UTILISEZ PAS** l'appareil dans les zones suivantes :
 - Endroits faiblement éclairés
 - À l'extérieur
 - Espace fermé pouvant contenir des fumées ou des vapeurs explosives ou toxiques (essence à briquet, essence, kérosène, peinture, diluants pour peinture, produits de traitement antimite ou poussière inflammables).
- Ne laissez pas l'appareil sans surveillance s'il est branché. Débranchez-le de la prise lorsqu'il n'est pas utilisé et avant l'entretien.
- Gardez les cheveux, les vêtements amples, les doigts et toutes les parties du corps loin des ouvertures et des pièces mobiles.
- Faites preuve d'une grande prudence lors du nettoyage des escaliers.
- INSTRUCTIONS DE MISE À LA TERRE :** (Cet appareil doit être mis à la terre. Si un dysfonctionnement ou une panne advenait, la mise à la

terre fournit un chemin de moindre résistance au courant électrique afin de réduire le risque de décharge électrique. Le cordon de cet appareil est doté d'un conducteur de mise à la terre de l'équipement et d'une fiche de branchement de mise à la terre. Cet appareil doit être utilisé sur un circuit nominal de 120 V. Assurez-vous que l'appareil est branché dans une prise de courant ayant la même configuration que la fiche, correctement installée et mise à la terre conformément à tous les codes et ordonnances locaux. Aucun adaptateur ne doit être utilisé avec cet appareil.



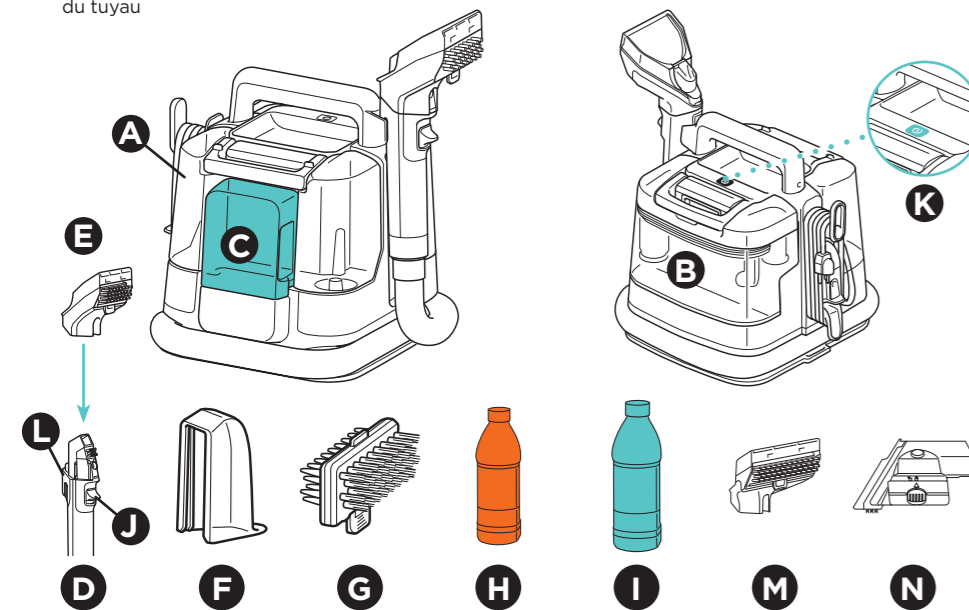
- Pour prévenir les dommages aux pièces internes, ne rangez pas l'appareil dans un endroit où la température atteint le niveau de congélation.
- Premiers soins : Gardez hors de la portée des enfants. Provoque une irritation de la peau et des yeux. En cas de contact avec les yeux, rincez avec de l'eau pendant plusieurs minutes. Retirez les verres de contact, le cas échéant, s'il est facile de faire. Continuez le rinçage. En cas de contact avec la peau, lavez la peau à l'eau et au savon. Si l'irritation de la peau et des yeux persiste, consultez un médecin.
- Veillez recycler le contenant. Jetez le contenu et le contenant à un site autorisé d'évacuation des déchets conformément aux exigences de votre autorité réglementaire d'évacuation des déchets locale. Ne jetez pas le produit concentré dans les égouts et les cours d'eau.

CONSERVEZ CES INSTRUCTIONS.

LISEZ TOUTES LES INSTRUCTIONS AVANT D'UTILISER CE NETTOYEUR DE TACHES.

PIÈCES

- | | | |
|---|--|---|
| A Réservoir CarpetXpert | G Poils réversibles | K Bouton d'alimentation |
| B Réservoir d'eau sale | H 177 ml de Formule Deep Clean Pro | L Bouton de détachement |
| C Réservoir StainStriker | I 354 ml de solution OXY Multiplier | M Accessoire à main de 18 cm |
| D Suceur plat | J Gâchette de pulvérisation | N Accessoire pour dégâts d'animaux |
| E Accessoire à main de 9 cm | | |
| F Accessoire de nettoyage du tuyau | | |



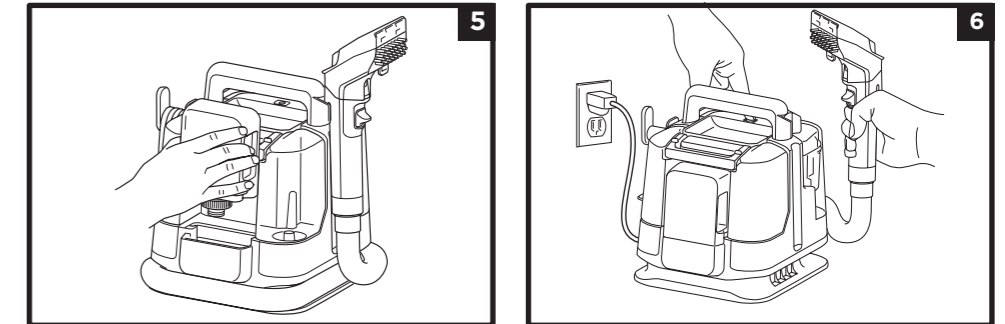
Suceur plat - idéal pour éliminer les taches dans les espaces restreints et pour vaporiser directement sur la tache.
Accessoire à main de 9 cm - idéal pour nettoyer les petites taches sur les tapis et les meubles.
Accessoire à main de 18 cm - idéal pour nettoyer les plus grandes taches.
Accessoire pour dégâts d'animaux - recueille les dégâts d'animaux et les garde à l'extérieur de l'appareil.
REMARQUE : Tous les accessoires ne sont pas fournis avec tous les appareils. Les accessoires peuvent varier selon le modèle. Pour connaître les accessoires supplémentaires offerts, veuillez visiter le site sharkaccessories.ca

VOUS FAMILIARISER AVEC VOTRE NETTOYEUR DE TACHES

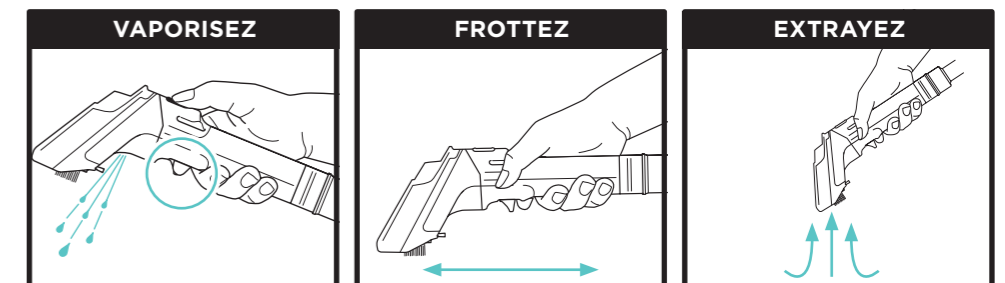
IMPORTANT : Passez d'abord un aspirateur traditionnel avant d'utiliser le nettoyeur de taches.

- Soulevez le réservoir CarpetXpert par la poignée pour le détacher, puis retirez le bouchon.
- Ajoutez de l'eau dans le réservoir CarpetXpert jusqu'à la ligne de remplissage d'eau. Ajoutez ensuite la Formule Deep Clean Pro de Shark jusqu'à la ligne de remplissage de concentré. N'utilisez pas d'eau dont la température est supérieure à 140°F (60°C).
- Remettez le bouchon en place et réinstallez le réservoir de sorte qu'il s'enclenche en place.
- Soulevez le réservoir StainStriker par ses côtés pour le retirer et remplissez-le de solution OXY Multiplier de Shark. Remettez le bouchon en place et serrez-le.

Astuce : Pour les taches plus petites, utilisez l'accessoire à main de 9 cm. Pour les grandes surfaces, utilisez l'accessoire de 18 cm.



- Réinsérez le réservoir StainStriker jusqu'à ce qu'il s'enclenche.
- Fixez l'accessoire à main de votre choix au suceur plat. Branchez le cordon d'alimentation dans une prise électrique et déroulez le tuyau. Allumez l'appareil pour commencer le nettoyage. Combiner les deux formules vous permettra d'obtenir les meilleurs résultats pour le nettoyage des taches.

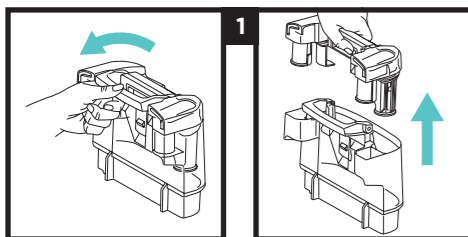


IMPORTANT : Suivez le Guide des taches situé sur l'accessoire à main. Pour éviter un long temps de séchage, évitez de trop vaporiser. Pour les taches humides, allumez l'appareil et passez l'aspirateur sur le dégât liquide, puis vaporisez la zone tachée. Frottez la tache avec les soies, puis inclinez l'accessoire à main vers l'avant et faites-le glisser sur la zone tachée pour en extraire le liquide. Répétez la procédure au besoin. Pour les taches sèches, allumez l'appareil et frottez la tache avec les soies pour en extraire le liquide, puis vaporisez la zone tachée. Frottez la tache de nouveau, puis inclinez l'accessoire à main vers l'avant et faites-le glisser sur la zone tachée pour l'extraire. Répétez la procédure au besoin.

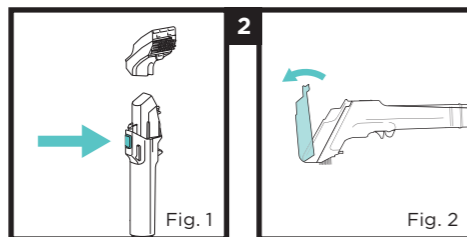
Astuces

- Pour les tissus plus délicats, utilisez le côté en caoutchouc des soies réversibles.
- Pour rincer le tapis ou les meubles rembourrés après le nettoyage, retirez ou videz le réservoir StainStriker et remplissez le réservoir CarpetXpert d'eau SEULEMENT avant de vaporiser.

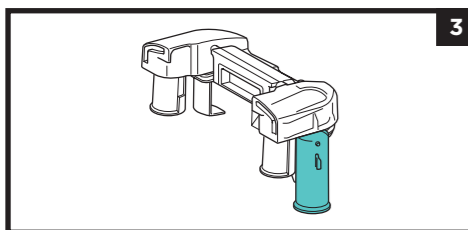
ENTRETIEN



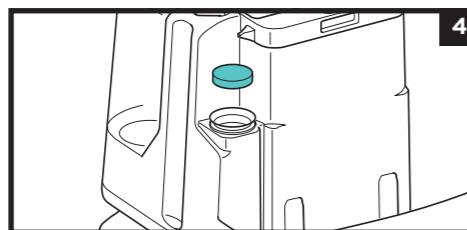
1. Lorsque le réservoir d'eau sale est plein, il y aura un changement de son à la fermeture de la soupape de flotteur. Éteignez l'appareil et détachez le réservoir, en vous assurant de le maintenir à la verticale pour éviter les déversements. Tirez la poignée vers l'arrière, puis soulevez le couvercle. Versez le contenu dans un lavabo ou une toilette.



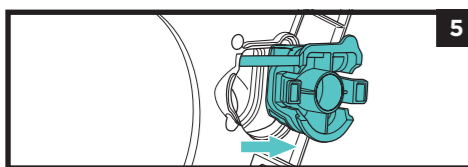
2. Retirez l'accessoire à main du tuyau en appuyant sur le bouton de détachement (figure 1). Pour nettoyer le passage d'air dans l'accessoire, ouvrez le couvercle (figure 2). Dirigez l'accessoire à main dans un lavabo ou une toilette et appuyez sur la gâchette de vaporisation pour dégager la pression restante.



3. Nettoyez la soupape de flotteur en la rinçant à l'eau sous un robinet. Assurez-vous qu'elle peut bouger librement.



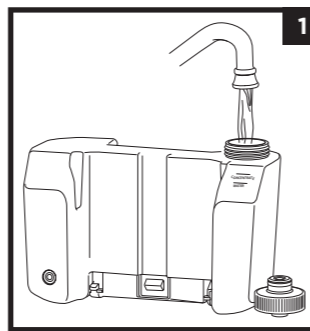
4. Enlevez le réservoir d'eau sale. Éliminez les débris du filtre en mousse en le rinçant sous un robinet. Laissez le filtre sécher à l'air libre complètement, puis réinstallez-le.



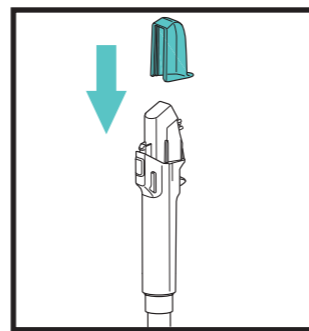
5. Pour éliminer les débris bouchés à l'extrémité du tuyau, ouvrez le volet de nettoyage du tuyau au bas de l'appareil. Enlevez tous les débris, puis fermez le volet.

REMARQUE : Nettoyez l'appareil après chaque utilisation pour prévenir les odeurs, les bactéries et la moisissure.

NETTOYAGE DU TUYAU

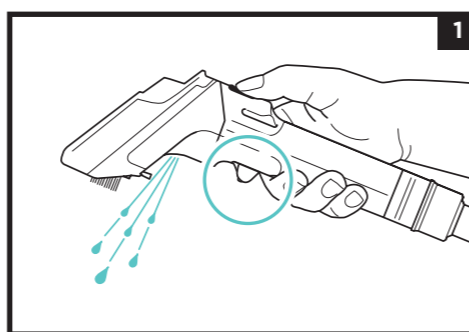


1. Assurez-vous que l'appareil est éteint et retirez le réservoir CarpetXpert. Remplissez le réservoir d'eau jusqu'à la ligne de remplissage d'eau. Astuce : Ajoutez de la Formule Deep Clean Pro pour éliminer les odeurs.

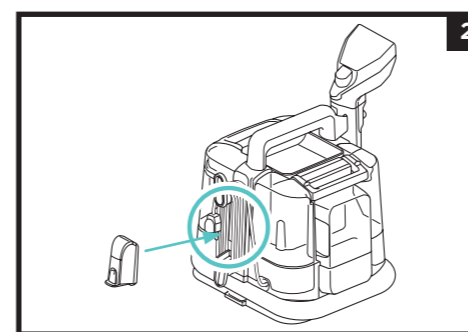


2. Fixez solidement l'accessoire de nettoyage du tuyau au suceur plat et allumez l'appareil. Tirez sur la gâchette et la solution nettoyante sera aspirée dans le tuyau pour en nettoyer l'intérieur.

RANGEMENT

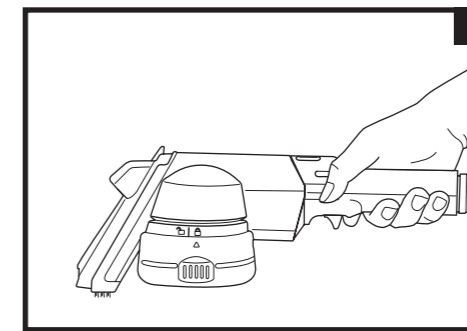


1. Avant le rangement, observez les directives d'entretien et de nettoyage ci-dessus. Relâchez toute la pression de l'accessoire à main en le plaçant au-dessus d'un lavabo ou d'une toilette et en appuyant sur la gâchette jusqu'à ce que tout le liquide ait été éliminé. Laissez les accessoires sécher en les étendant.

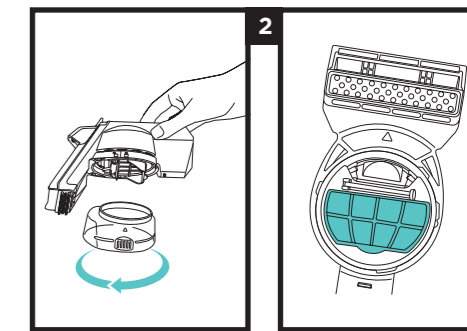


2. Une fois qu'ils sont secs, rattachez tous les accessoires. Enroulez le cordon d'alimentation, puis rangez l'accessoire de nettoyage du tuyau sur l'appareil. Enroulez le tuyau autour de la base de l'appareil et rangez l'accessoire à main dans son support.

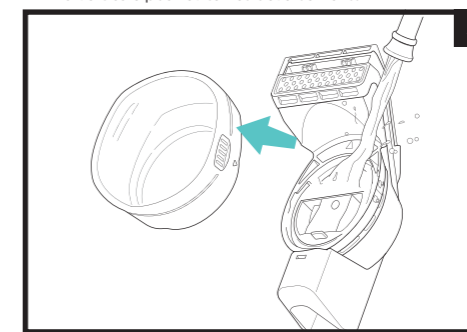
ACCESSOIRE POUR DÉGÂTS D'ANIMAUX



1. L'accessoire pour dégâts d'animaux est conçu pour nettoyer les dégâts d'animaux tout en empêchant les débris et les liquides de pénétrer à l'intérieur du nettoyeur de taches. (L'accessoire pour dégâts d'animaux n'est pas inclus avec certains appareils. Pour commander des accessoires, rendez-vous sur le sharkaccessories.ca.) Pour utiliser l'accessoire pour dégâts d'animaux, fixez-le au suceur plat, puis vaporisez la zone tachée. Frottez doucement la tache pour en extraire les taches et les dégâts d'animaux. Assurez-vous de garder le récipient à la verticale pour éviter les déversements.



2. Videz le récipient après chaque utilisation ou lorsque les débris dans le récipient atteignent la ligne de remplissage MAX. Pour vider le récipient, éteignez d'abord l'appareil, puis faites tourner le récipient dans le sens horaire et retirez-le de l'accessoire. Videz le récipient dans le lavabo ou la poubelle. Pour nettoyer le filtre à mailles, retirez-le en commençant par le côté gauche.



3. Après chaque utilisation, rincez l'accessoire pour dégâts d'animaux et toutes les parties (couvercle, soies en caoutchouc, filtre à mailles et récipient) avec du savon et de l'eau. Laissez les pièces sécher complètement à l'air libre avant de les réinstaller. Lorsque vous réinstallez le filtre, assurez-vous qu'il est enclenché en position. Faites tourner le récipient à la position verrouillée avant de le réutiliser.

Remarque : L'accessoire pour dégâts d'animaux peut contenir 177 ml de liquide et de débris, jusqu'à la ligne de remplissage MAX. Ne pas trop remplir. Si le réservoir est excessivement rempli, des dégâts liquides peuvent entrer dans le tuyau et le nettoyeur de taches. Utilisez l'accessoire de nettoyage du tuyau pour éliminer les odeurs.

Remarque : L'accessoire pour dégâts d'animaux n'est pas conçu pour nettoyer les poils d'animaux.

Remarque : Si votre appareil n'est pas fourni avec un accessoire pour dégâts d'animaux, utilisez l'accessoire à main de 9 cm avec des soies en caoutchouc et suivez le guide des taches.

DÉPANNAGE

Problème	Solution
Vaporisation inconstante ou aucune vaporisation	Assurez-vous que le réservoir CarpetXpert contient de la formule de nettoyage. Assurez-vous que le réservoir CarpetXpert est correctement installé. Assurez-vous que l'appareil est branché et qu'il est en marche.
Aspiration faible ou aucune aspiration	Assurez-vous que le réservoir d'eau sale n'est pas trop plein. Vérifiez le volet de nettoyage du tuyau et enlevez tous les débris coincés à l'intérieur à l'extrémité du tuyau. Si un accessoire de nettoyage est en place, assurez-vous qu'il est correctement raccordé. Enlevez les débris des accessoires de nettoyage. Assurez-vous que le réservoir d'eau sale est correctement installé.
L'appareil ne s'allume pas	Assurez-vous que l'appareil est bien branché. Essayez une autre prise. Vérifiez que l'interrupteur de marche/arrêt est en position de marche.
Du liquide s'échappe de l'appareil	Le réservoir d'eau sale pourrait être trop rempli. Assurez-vous que le réservoir d'eau sale et que le réservoir de formule sont bien installés. Assurez-vous que la soupape de flotteur du réservoir d'eau sale n'est pas coincée. Assurez-vous que l'appareil est sur une surface plane et stable. Assurez-vous que le volet de nettoyage du tuyau est complètement fermé sous l'appareil.
Le réservoir de solution fuit	Assurez-vous que le bouchon du réservoir CarpetXpert est bien serré. Assurez-vous que le réservoir CarpetXpert est installé correctement et que la soupape est dans le réservoir.
L'accessoire à main fuit	Assurez-vous que l'intérieur de l'accessoire à main ou de l'accessoire pour dégâts d'animaux est bien propre.
Les réservoirs ne distribuent pas de liquide	Assurez-vous que le réservoir CarpetXpert et que le réservoir StainStriker sont installés correctement. Remarque : Les réservoirs distribuent le liquide à des vitesses différentes. Le réservoir CarpetXpert manquera de solution avant le réservoir StainStriker.

GARANTIE LIMITÉE DE TROIS ANS

La garantie limitée de trois (3) ans s'applique aux achats effectués auprès de détaillants autorisés de SharkNinja Operating LLC. La garantie s'applique uniquement au premier propriétaire et au produit original et n'est pas transférable.

SharkNinja garantit que l'appareil sera exempt de tout défaut de matériau et de fabrication pendant une période de trois (3) ans à compter de la date d'achat lorsqu'il est utilisé dans le cadre d'un usage domestique normal et si le produit est entretenu conformément aux exigences décrites dans le Guide de l'utilisateur, sous réserve des conditions et exclusions ci-dessous :

Qu'est-ce qui est couvert par cette garantie?

1. L'appareil d'origine, ou les pièces non soumises à l'usure jugées défectueuses, à la seule discrétion de SharkNinja, seront réparés ou remplacés jusqu'à trois (3) ans à compter de la date d'achat initiale.
2. En cas d'un remplacement, la couverture de la garantie se termine six (6) mois après la date de réception de la pièce de remplacement ou pendant le reste de la garantie existante, selon la période la plus longue. SharkNinja se réserve le droit de remplacer la pièce par une autre de valeur égale ou supérieure.

Qu'est-ce qui n'est pas couvert par cette garantie?

1. L'usure normale des pièces vulnérables qui nécessitent un entretien régulier ou un remplacement pour le bon fonctionnement de votre appareil n'est pas couverte par cette garantie. Vous pouvez acheter des pièces de rechange sur le site sharkaccessories.ca.
2. Toute pièce qui a été altérée ou utilisée à des fins commerciales.
3. Les dommages causés par une mauvaise utilisation, une utilisation abusive, une manipulation négligente, un non-respect de l'entretien requis (par exemple, ne pas nettoyer les filtres ou ne pas retirer des débris de l'accessoire à main ou du tuyau) ou des dommages dus à une mauvaise manipulation pendant le transport.
4. Les dommages indirects et accidentels.
5. Les défauts causés par des réparateurs non autorisés par SharkNinja. Ces défauts incluent les dommages causés lors de l'expédition, de la modification ou de la réparation du produit SharkNinja (ou de l'une de ses pièces) lorsque la réparation est effectuée par un réparateur non autorisé par SharkNinja.
6. Les produits achetés, utilisés ou mis en fonction à l'extérieur de l'Amérique du Nord.

Comment obtenir du service

Si votre appareil ne fonctionne pas correctement lorsqu'il est utilisé dans un cadre domestique normal pendant la période de garantie, veuillez consulter le site sharkclean.com/support pour obtenir de l'assistance. Nos spécialistes du service clientèle sont également disponibles au **1 800 798-7398** pour vous assister en cas de problèmes liés aux produits et aux options de service de garantie, notamment la possibilité de passer à nos options de service de garantie VIP pour certaines catégories de produits. Pour que nous puissions mieux vous aider, veuillez inscrire votre produit en ligne sur registryyourshark.com et avoir le produit sous la main lorsque vous appelez.

SharkNinja prendra en charge les frais d'envoi de l'appareil par le client pour réparation ou remplacement. Un montant de 25,95\$ (sous réserve de modification) sera facturé lorsque SharkNinja expédiera l'appareil réparé ou remplacé.

Comment présenter une demande de service sous garantie

Vous devez composer le **1 800 798-7398** pour soumettre une réclamation sous garantie. Vous aurez besoin du reçu comme preuve d'achat. Nous vous demandons aussi d'enregistrer votre produit en ligne à registryyourshark.com et d'avoir le produit sous la main lorsque vous appelez pour que nous puissions mieux vous aider. Un spécialiste du service clientèle vous fournira des renseignements sur l'emballage et le retour du produit.

De quelle manière les lois d'État ou de province s'appliquent-elles?

Cette garantie vous donne des droits légaux particuliers, et vous pouvez également avoir d'autres droits qui varient d'un État/province à l'autre. Certains États/province n'acceptent pas l'exclusion ou la limitation de dommages accessoires ou indirects, de sorte que les dispositions ci-dessus peuvent ne pas s'appliquer à votre cas.

FORMULES DE NETTOYAGE



Formule Deep Clean Pro

La meilleure formule de nettoyage en profondeur des tapis pour éliminer la saleté et la crasse.



OXY Multiplier

La meilleure formule antitache pour éliminer les taches tenaces et les odeurs.

CARACTÉRISTIQUES TECHNIQUES

Série PX200C : 120 V, 60 Hz, 3,3 A

CONSIGNEZ LES RENSEIGNEMENTS CI-DESSOUS

Numéro de modèle : _____

Date d'achat : _____
(conservez le reçu)

Magasin où l'appareil a été acheté : _____

© 2023 SharkNinja Operating LLC.
Needham, MA 02494/Saint-Laurent (Québec) H4S 1A7
1-800-798-7398
sharkclean.com

SHARK est une marque déposée de SharkNinja Operating LLC. STAINSTRIKER est une marque de commerce de SharkNinja Operating LLC. Ce produit peut être protégé par un ou plusieurs brevets américains. Consultez sharkninja.com/ patents pour en savoir plus.

Les illustrations peuvent différer du produit réel.



LIRE LE GUIDE DE L'UTILISATEUR